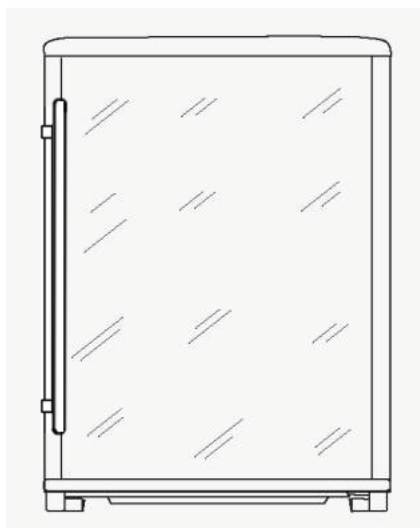




# Argos Value – Electronic Wine Chiller

Installation & User Instructions – Please keep for future reference

486/9292



**Important** – Please read these instructions fully before installing or using

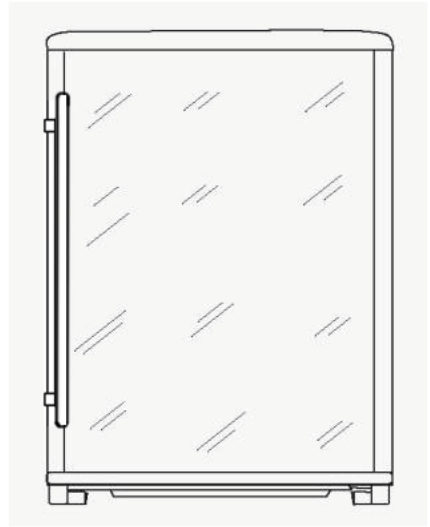
These instructions contain important information which will help you get the best from your appliance and ensure safe and correct installation, use and maintenance.

If you need help or have damaged or missing parts, call the Customer Helpline: 0345 257 7271

Issue 5 –05/02/15

# Contents

<b>Safety Information</b>	<b>2-4</b>
<b>Parts</b>	<b>5</b>
<b>Installation</b>	<b>6-8</b>
Transportation	6
Installation	6
Door Reverse	7
Electrical Connection	8
<b>User Instructions</b>	<b>9-10</b>
Before first use	9
Using your appliance	9
Useful information	10
<b>Care and Maintenance</b>	<b>11-12</b>
General	11
Light bulb replacement	11
Power failure	11
Moving your appliance	12
<b>Trouble Shooting</b>	<b>13</b>
<b>Technical Specifications</b>	<b>14</b>
Disposal information	14
<b>Guarantee</b>	<b>15</b>



## Product codes

WE1-15



## Safety Information

**Important-Please read these instructions fully before installation**

### Before use

The installation of this appliance is best carried out by 2 people.

- Dispose of all packaging carefully and responsibly.
- The appliance is designed for **indoor use only** and must be protected from rain, moisture and extreme temperature variations.
- This appliance is designed for house hold use. **Do not** use the appliance for industrial and commercial use, or any other purpose.
- The appliance **MUST** be positioned on a firm level base.
- **Do not** splash water on the appliance. It may cause electrical parts to fail and result in an electric shock.
- Leave the appliance in

### Before use

its intended place of installation and in its correct orientation for at least 4 hours before switching on to allow the cooling system to settle before first use or after any transportation.

- Your appliance is an environmental friendly product and it contains non CFC/HFC gas substances in the cooling system (Called R600a) and in the insulation (Called cyclopentane) which are potentially flammable if exposed to fire. Therefore, take care not to damage, the cooling circuit/pipes of the appliance in transportation and in use. In case of damage do not expose the appliance to fire,



## Safety Information

**Important-Please read these instructions fully before installation**

### Before use

- potential ignition source and immediately ventilate the room where the appliance is situated.
- **Do not** sit, stand or place any other heavy objects on top of the appliance. This could result in injury or damage to the appliance.
  - **Do not** allow children to play with the appliance to avoid the risk of entrapment and suffocation.
  - Keep ventilation opening, in the appliance enclosure or in the built-in structure, clear of obstruction.

### During use

- This appliance is not intended for use by persons (including

### During use

- children) with reduced physical, sensory or mental capabilities, or lack of experience and knowledge, unless they have been given supervision or instruction concerning use of the appliance by a person responsible for their safety. Children should be supervised to ensure that they do not play with the appliance.
- This appliance is not intended for use by young children or infirm persons unless they have been adequately supervised by a responsible person to ensure that they can use the appliance safely. Young children should be supervised to ensure that they do not play with the appliance.
  - **Do not** use mechanical,



## Safety Information

**Important-Please read these instructions fully before installation**

### During use

electrical or chemical way to speed up the defrost process not recommended by the manufacturer.

- **Do not** use or place other electrical products inside the appliance not recommended by the manufacturer.
- **Do not** store liquids in glass containers in the freezer compartment as these may shatter.
- **Do not** store flammable materials such as alcohol, gasoline, LP gas or glue etc in the appliance.
- In case there is an inflammable gas leaking, open the window for air circulation and do not pull out the plug or

### During use

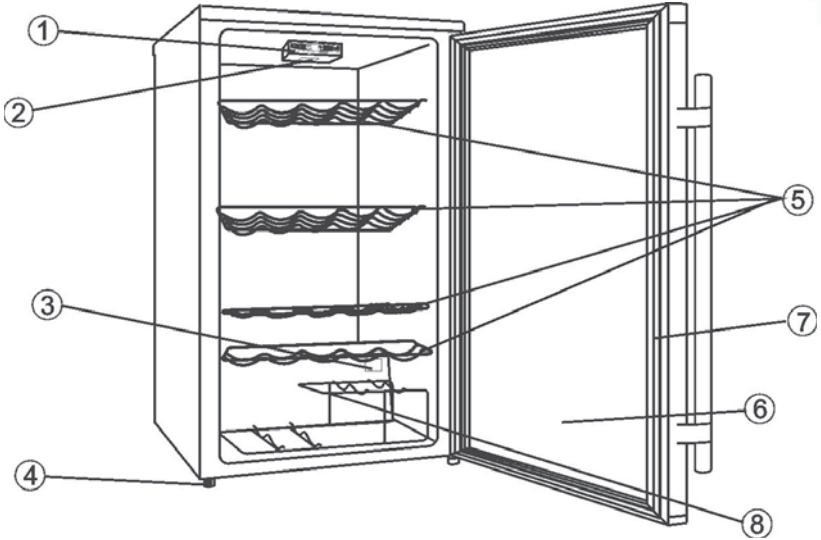
turn the temperature knob. **Do not** touch the appliance until the valve of gas is turned off. Otherwise, sparks may happen.

- This appliance can be used by children aged from 8 years and above and persons with reduced physical, sensory or mental capabilities or lack of experience and knowledge if they have been given supervision or instruction concerning use of the appliance in a safe way and understand the hazards involved. Children shall not play with the appliance. Cleaning and user maintenance shall not be made by children without supervision.
- **Do not** attempt to repair the appliance yourself. Contact the Customer Helpline:0345 257 7271.

# Parts

If you have damaged or missing parts, call the **Customer Helpline:0345 257 7271**

Please familiarize yourself with the parts and accessories listed below



- 1. Control Panel
- 2. Interior Light
- 3. Temperature Sensor
- 4. Leveling Feet
- 5. Shelves

- 6. Glass Door
- 7. Door Frame
- 8. Wine Rack

## Accessories included

Agos Vitor - Electronic Wine Cooler



Agos Vitor - Electronic Wine Cooler

Instruction X 1



Handle x 1



Screws X 2

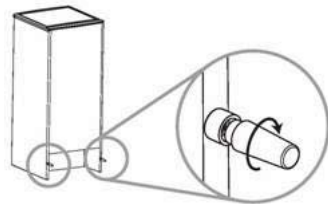
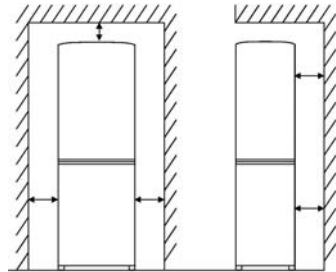
# Installation

## Transportation



**Caution:** 2 people are required to unpack and handle the appliance, it is recommended that gloves are worn.

- The appliance should be transported only in an upright position. Do not tilt the appliance greater than 45°. The packaging as supplied must be intact during transportation.
- After transporting the appliance, leave it for at least 4 hours before switching on to allow the cooling system to settle. Failure to comply could result in damage to the appliance.
- Do not move the appliance by pulling the door or handle as it may damage your flooring and wall coverings etc.
- Empty any water in the drain tray before moving.
- Make sure that the defrost water pipe at the back of the product is fixed to the plastic evaporating pan on the top of the compressor, to avoid defrost water spillage on the floor.
- Ensure the supply cable is not caught under the appliance during and after moving.
- Carefully remove all packaging materials including the foam base, dispose of correctly.



## Installation

- Ensure sufficient spacing is provided for the appliance to be installed. Leave space on both sides (15cm), back (20cm) to ensure proper ventilation.
- Screw in the two spacers (provided) at the back of the appliance.
- Do not place the appliance near a heat source or in direct sunlight.
- Do not put any heavy objects on top of the appliance. It will damage the appliance.
- Do not install the appliance in moist and wet place.
- Adjust the feet at front to level the appliance. It should be installed on a smooth surface to avoid excessive vibration and noise.
- Each appliance has a climate class (shown on the rating plate) where it indicates the temperature range of the appliance operation in place. The appliance may not work properly if it is left for a long period at a temperature outside the specified range.
- It is recommended the cooler is installed in a place where the ambient temperature is between 22-25°C for best performance.
- Refer to section "Care and Maintenance" to prepare your appliance for use.

Climate Class	Amb. T. (°C)	Amb. T. (°F)
SN	10 ~ 32°C	50 ~ 90°F
N	16 ~ 32°C	61 ~ 90°F
ST	16 ~ 38°C	61 ~ 100°F
T	16 ~ 43°C	61 ~ 110°F



# Installation

## Install the handle

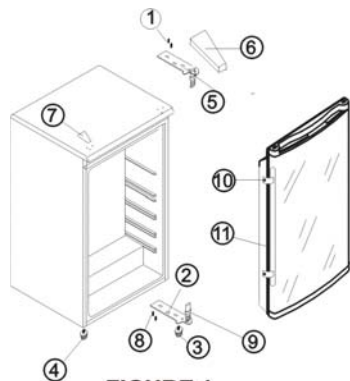
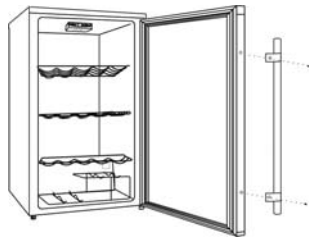
1. Remove the handle and screws from the packaging.
2. Open the door and align the two screw holes on the handle to the screw holes on the side of the door.
3. Fix the screw to the holes to fix the handle in place.
4. Ensure the handle is fixed securely before use.

## Door Reverse



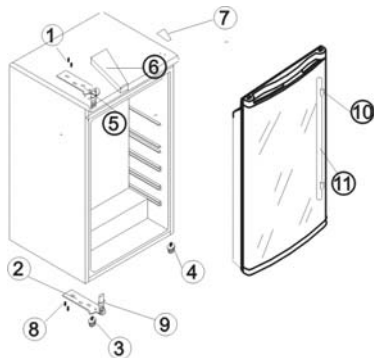
**Warning:** Remove the main plug before reversing the door. 2 people may be required to reverse the door.

1. Unscrew the two screws for fixing the handle and remove the handle in safe place.
2. Remove the upper hinge cover (6).
3. Remove the two screws (1) that hold the upper hinge (5) (right side) to the frame. Take away the upper hinge (5).
4. Lift the door and place it on a padded surface to prevent scratching it.
5. Remove the two screws (8) that hold the lower hinge (2) and make sure to remove the lower hinge (2).
6. Remove the left front leg (4) and transfer it to the right side.
7. Remove the hole cover plate (7) to the right side.
8. Before placing this lower hinge (2), remove the bolt-pin (9) and reverse the direction of the lower hinge (2). Then install the lower hinge (2) onto the left side of the lower hinge (2) onto the left side of the lower frame with two screws (8).
9. Insert the bolt-pin (9) to the lower hinge (2).
10. Set the door to its place making sure the door seat at the lower hinge (2).
11. While holding the door in the closed position, secure the upper hinge (5) in the top frame of left side with two screws (1). Please remember that do not tighten the two screws (1) until the top of the door is levelled with the counter top.
12. Install the upper hinge cover (6) on the upper hinge.
13. Open the door and align the two screw holes on the handle to the screw holes on the side of the door.
14. Fix the screw to the holes to fix the handle in place.



**FIGURE 1**

Door opening from the left side



**FIGURE 2**

Door opening from the right side

# Installation

## Electrical connection



**Any electrical work that is required to install this appliance MUST be carried out by a qualified electrician.**



**Warning: THIS APPLIANCE MUST BE EARTHED**

**Before making any electrical connections, ensure that:**

- Electrical safety is only guaranteed when the earth system of your house is in accordance with the related local regulations.
- Do not damage the refrigerant circuit.
- Do not bend, stretch or pull the supply cable to avoid electric shock.
- Do not use electrical appliances inside the food storage compartments of the appliance, unless they are of the type recommended by the manufacturer.
- Ensure the power socket is suitable for the maximum power of the machine (fuses in the power circuit must be 13 amp).
- The supply voltage should be the same as that indicated in the technical specifications and the appliance rating plate.
- The appliance should be earthed and in compliance with the applicable law.
- When installed, the power socket must be within easy reach.
- If the socket outlets in your home are not suitable for the plug supplied with this unit check with a qualified electrician for replacement.
- The use of adapters, multiple connectors or extension cables are not recommended.
- The appliance must be connected to a 220-240 volt 50Hz AC supply by means of a three pin socket, suitably earthed and protected by a 13 amp fuse.
- Should the fuse need to be replaced, a 13 amp fuse approved to BS1362 must be used.
- The plug contains a removable fuse cover that must be refitted when the fuse is replaced. If the fuse cover is lost or damaged, the plug must not be used until a replacement cover has been fitted or the plug is replaced.
- A damaged plug should be cut off as close to the plug body as possible, the fuse should be removed and the plug disposed of safely.

### Plug replacement (UK & Ireland only)

Should you need to replace the plug; the wires in the power cable are coloured in the following way:

Blue – Neutral 'N'

Brown – Live 'L'

Green & Yellow – Earth 'E'

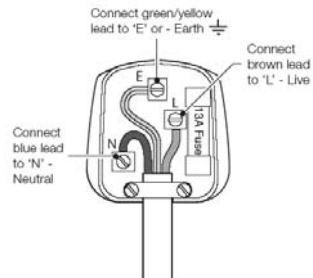
As the colours of the wires in the power cable may not correspond with the coloured markings identifying the terminals in your plug, and proceed as follows:

The green & yellow wire must be connected to the terminal in the plug that is marked with the letter E or by the earth symbol.

The blue wire must be connected to the terminal that is marked with the letter N.

The brown wire must be connected to the terminal that is marked with the letter L.

If power supply cord is damaged, it must be replaced by the manufacturer or its service agent or a similar qualified person in order to avoid a hazard.



# User Instructions

## Before first use

### Final checks before operating the appliance

1. Good air circulation around the appliance positioned.
2. The feet have been adjusted for perfect levelling.
3. Clean the compartment per recommendation in section "Care and Maintenance".
4. Plug in the appliance and it will start operation to the default temperature setting.



The compressor starts up and in operation may produce some background noise and it is normal, this is not a defect.

## Using your appliance

### 1. Temperature adjustment

- The compartment temperature can be set by pressing the "UP" or "DOWN" button.
- Select the desired temperature by pressing "UP" or "DOWN" button. Allow the empty wine chiller to operate for an hour. This will allow the wine chiller to reach the desired temperature.
- While press "UP" or "DOWN", the display will flash and show the set temperature. After finished the setting, it will revert to the existing compartment temperature display after 7 seconds.
- To select the display temperature in °F or °C by pressing °F/°C button. The relevant indicator (°F or °C) will illuminate.
- The recommended temperature for storage the different wine is as below :

Wine	Recommended temperature	While the set temperature is same as recommended temperature, LED indicator will illuminate.
Red wine	15.5 – 18.5 °C	Red
Dry / White wine	10 - 15 °C	Green
Sparkling Wine	7.2 -9.5 °C	Yellow
Rose Wine	9.5 – 10.5 °C	N/A

- While the set temperature is between relevant recommended temperature, the relevant indicator will illuminate, i.e. Set the temperature at 17°C, Red indicator will illuminate.

### 2. Interior light on/off

- Press ON/OFF switch for the interior light on the control panel once, the light will come on. Press it once again, the light will go off.

### 3. Storing Wine

- Before putting the wine into the wine chiller, please ensure the shelf and rack are placed in place.
- Adjust the temperature of the wine chiller.
- Fill the wine chiller with your choice of wine bottle. Handle them with care.
- Allow 1 to 2 hours to let bottles to reach the desired temperature.
- Do not exceed the capacity that the appliance able to handle.



Condensed water may be found on the glass door during the summer time or humidity season. This is normal. Wipe it with damp cloth.

# User Instructions

## Useful information

The following guidelines and recommendations are suggested to obtain the best results and storage hygiene.

- Frequent door openings can cause internal temperature rise so the door shall be closed as soon as possible after use.
- For hygiene reasons, it is always a good practise to clean the bottle with damp cloth before storing.
- **Do not** store food, as the interior temperature is not cool enough to prevent spoilage.

## Energy saving tips

- Place your wine chiller away from direct sunlight, your oven or any other heat sources. Allow 20 cm clear space on both sides and above, and at least 5 cm behind.
- Higher cold setting will use more energy. Do not set to maximum cold if it is not necessary.
- Frequently open and close door would cause internal temperature rise and it will consume more energy.
- Close the door(s) properly, and make sure the seals and hinges are airtight. Check the seals by putting a sheet of paper between the door and the main body of the wine chiller. If the paper moves, your seals need replacing.
- The pre-set combination of and wine rack have already set in the most efficient use of this product.

# Care and Maintenance

## General



**Important:** Always unplug the appliance from the power socket during cleaning and maintenance.

- Never use any sharp instruments or abrasive substances, soap, household cleaner, detergent or wax polish for cleaning.
- Use luke warm water to clean the cabinet of the appliance and wipe it dry.
- Never clean the appliance with flammable fluids. It could cause a damage and fire hazard.
- Clean the exterior of the appliance and door seal with a damp cloth and dry it through.
- Avoid water goes in the temperature control box. Clean with a dry cloth only.
- Clean the condenser (located at the back of the appliance) with a vacuum cleaner. It is suggested to remove the dust every year.
- Shelves and wine rack are all removable for cleaning purpose.



**Important:** Care must be taken while cleaning/carrying the appliance not to touch the bottom of the condenser metal wires at the back of the appliance, as this could cause injury to fingers and hands.

## Light bulb replacement

Proceed the following to replace a failure bulb

1. **Switch off at the socket outlet and pull out the mains plug.**
2. Remove the light diffuser cover by pulling the recess at the edge.
3. Replace the bulb with a new 10 watt (max) screw cap (SES) bulb.
4. Assemble the light diffuser cover and switch on.

## Power failure

In case there is a power failure, you should contact the electricity supply company and take the following actions:

If it is last within 24 hours, keep the doors closed. This will allow the stored bottles to stay cold as long as possible.

If it is last more than 24 hours, it is advised to empty the wine chiller compartment and temporarily store the bottles in a portable wine chiller or using artificial ice packs.

Remarks: Full appliance will stay cold longer than a partially filled one.

## Short vacation

There is no need to disconnect the appliance from the mains if you will be away for two to three weeks. Use up the perishable food.

## Long vacation

Remove all the bottles if you are away for four weeks or more. Unplug the appliance and leave the doors open to provide air circulation to prevent odour and mould.

# Care and Maintenance

## Moving your appliance

### **Moving**

Refer to section "Transportation" under "Installation"

# Trouble Shooting

In the unlikely event of difficulties with your appliance please follow the trouble shooting guide below. If the problem persists, contact the retailer if the machine is still under guarantee. If the machine is out of guarantee, contact an approved service agent on 0345 257 7271.

<b>Problem</b>	<b>Possible cause</b>	<b>Solution</b>
Appliance does not start	<ul style="list-style-type: none"> <li>• The mains plug is not plugged in.</li> <li>• Protection devices or fuses of the electrical system at home open</li> </ul>	<ul style="list-style-type: none"> <li>• Insert the mains plug.</li> <li>• Check the protection devices and fuses.</li> </ul>
Light does not work	<ul style="list-style-type: none"> <li>• Failure bulb</li> </ul>	<ul style="list-style-type: none"> <li>• Replace the bulb per section “Care and Maintenance”</li> </ul>
Appliance not cool enough	<ul style="list-style-type: none"> <li>• Cooling system not settle after transportation</li> <li>• Doors not close properly</li> <li>• Frequently doors open</li> <li>• Loading bottles too much</li> <li>• Low temperature setting</li> <li>• Door seal dirty or sticky</li> </ul>	<ul style="list-style-type: none"> <li>• Leave the appliance at least 4 hours before switching on</li> <li>• Check any food blockage</li> <li>• Reduce the frequency</li> <li>• Reduce the quantity</li> <li>• Adjust the temperature knob</li> <li>• Clean per section “Care and Maintenance”</li> </ul>
Noisy appliance	<ul style="list-style-type: none"> <li>• Not position on even surface</li> <li>• Appliance is touching objects around</li> <li>• Bottles are placing well.</li> </ul>	<ul style="list-style-type: none"> <li>• Install on even surface and leveling the appliance</li> <li>• Ensure spacing at both sides and above the appliance</li> <li>• Re-putting them on shelf.</li> </ul>

# Technical Specifications

Model	WE1-15
Net storage – volume fresh food (litres)	115
Total net storage (litres)	115
Climate class	N
Operating noise level dB(A)	41
Mimumm Operation Temperature	10°C

We apologise for any inconvenience caused by any minor inconsistencies in these instructions, which may occur as a result of product improvements and development.

## Disposal information



This appliance complies with the following EEC directives:  
2014/35/EEC Low voltage directive  
2014/30/EU EMC directive



The symbol on the product or its packaging indicates that this product may not be treated as household waste. Instead it should be handed over to the applicable collection point for the recycling of electrical and electronic equipment. By ensuring this product is disposed of correctly, you will help prevent potential negative consequences for the environment and human health, which could otherwise be caused by inappropriate waste handling of this product. For more detailed information about recycling this product, please contact your local council office, your household waste disposal service or the shop where the product was purchased.

**Remember: Old fridges must be disposed of carefully - older models contain CFC gases that are harmful - if in doubt, contact your local council for details on how to dispose of an old fridge.**



# Guarantee



## PRODUCT GUARANTEE

This product is guaranteed against manufacturing defects for a period of



Year

This product is guaranteed for twelve months from the date of original purchase.

Any defect that arises due to faulty materials or workmanship will either be replaced, refunded or repaired free of charge where possible during this period by the dealer from whom you purchased the unit.

The guarantee is subject to the following provisions:

- The guarantee does not cover accidental damage, misuse, cabinet parts, knobs or consumable items.
- The product must be correctly installed and operated in accordance with the instructions contained in this manual.
- It must be used solely for domestic purpose.
- The guarantee will be rendered invalid if the product is re-sold or has been damaged by inexpert repair.
- Specifications are subject to change without notice.
- The manufacturer disclaims any liability for the incidental or consequential damages.
- The guarantee is in addition to, and does not diminish your statutory or legal rights.
- In the event of a problem with the product within the guarantee period call the Customer Helpline on 0345 257 7271.

Guarantor: Argos Ltd  
489 - 499 Avebury Boulevard  
Central Milton Keynes  
MK9 2NW

