

HYG JASPER CHAIR WHITE

Assembly Instructions - Please keep for future reference

483/4052(D)



Dimensions

Width - 63cm
Depth - 73.5cm
Height - 115.5-123.5cm

110kg
Max Weight

Important - Please read these instructions fully before starting assembly

If you need help or have damaged or missing parts, call the **Customer Helpline: 03456 400800**

Safety and Care Advice

Important - Please read these instructions fully before starting assembly

- Check you have all the components and fittings list on page 3.
- Remove all fittings from the plastic bags and separate them into their groups.
- Keep children and animals away from the work area, small parts could choke if swallowed.
- Make sure you have enough space to layout the parts before starting.
- Assemble the item as close to its final position (in the same room) as possible.
- Assemble on a soft level surface to avoid damaging the unit or your floor.
- Parts of the assembly will be easier with 2 people.



- We do not recommend the use of power drill or drivers **for inserting**

screws, as this could damage the unit. Only use hand screwdrivers.

- Dispose of all packaging carefully and responsibly.

Care and maintenance

- Only clean using a damp cloth and mild detergent, do not use bleach or abrasive cleaners.
- To avoid any risk of suffocation to animals or children dispose of the plastic bags immediately.
- From time to time check that there are no loose screws on this unit.
- This product should not be discarded with household waste. Take to your local authority waste disposal centre.

Safety during use

- Do not stand on this chair. Don't use this chair as a step ladder.
- At least every 4 months, check all bolts, screws and knobs, to be sure they are tight.
- Use this product only for seating one person at a time.
- If parts are missing, broken or damaged or worn, stop use of this product until repairs are made and using factory authorized parts.
- Do not use this chair unless all bolts, screws and knobs are firmly secured.
- Failure to follow these warnings could result in serious injury.

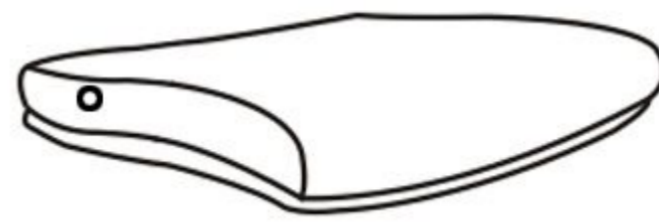
Components - Parts

If you have damaged or missing components, call the **Customer Helpline: 08456 400800**

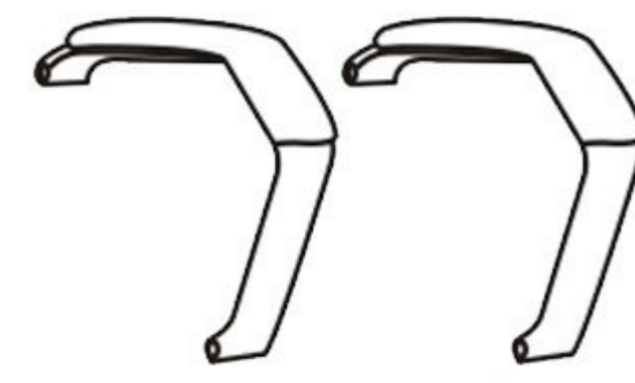
Please check you have all the fittings listed below



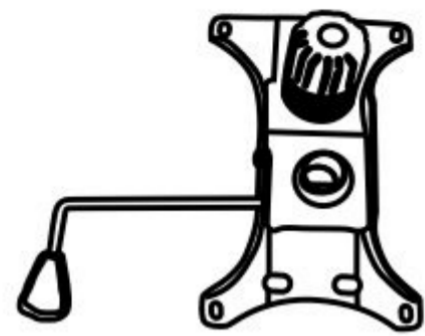
1 Backrest (53x82 cm)



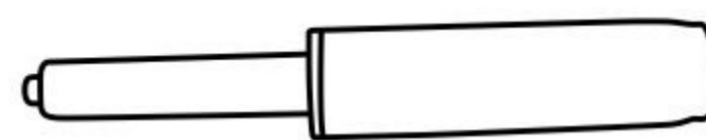
2 Seat Cushion (54x54 cm)



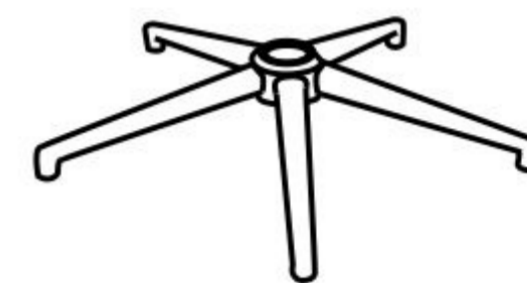
3 Armrest



4 Seat Support



5 Gas lift (80 mm)



6 Base (350 mm)






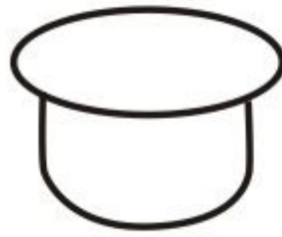

7 Castor (50 mm)

Components - Fittings

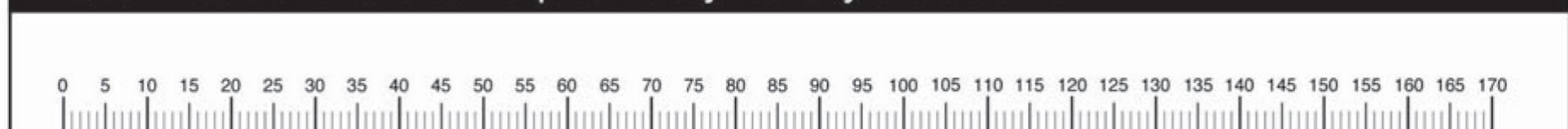
If you have damaged or missing components, call the **Customer Helpline: 03456 400800**

Please check you have all the fittings listed below

Note: The quantities below are the correct amount to complete the assembly. In some cases more fittings may be supplied than are required.

<p>A</p>  <p>Bolt 20 mm x 6 mm - 4 pcs</p>	<p>B</p>  <p>Bolt 30 mm x 6 mm - 4 pcs</p>	<p>C</p>  <p>Bolt 45mm x 8 mm - 4 pcs</p>
<p>D</p>  <p>Cap - 4pcs</p>	<p>E</p>  <p>Allen key M5 - 1 pc</p>	

Ruler - Use this ruler to help correctly identify the screws /bolts



Assembly Instructions

Step 1

Fitting the base

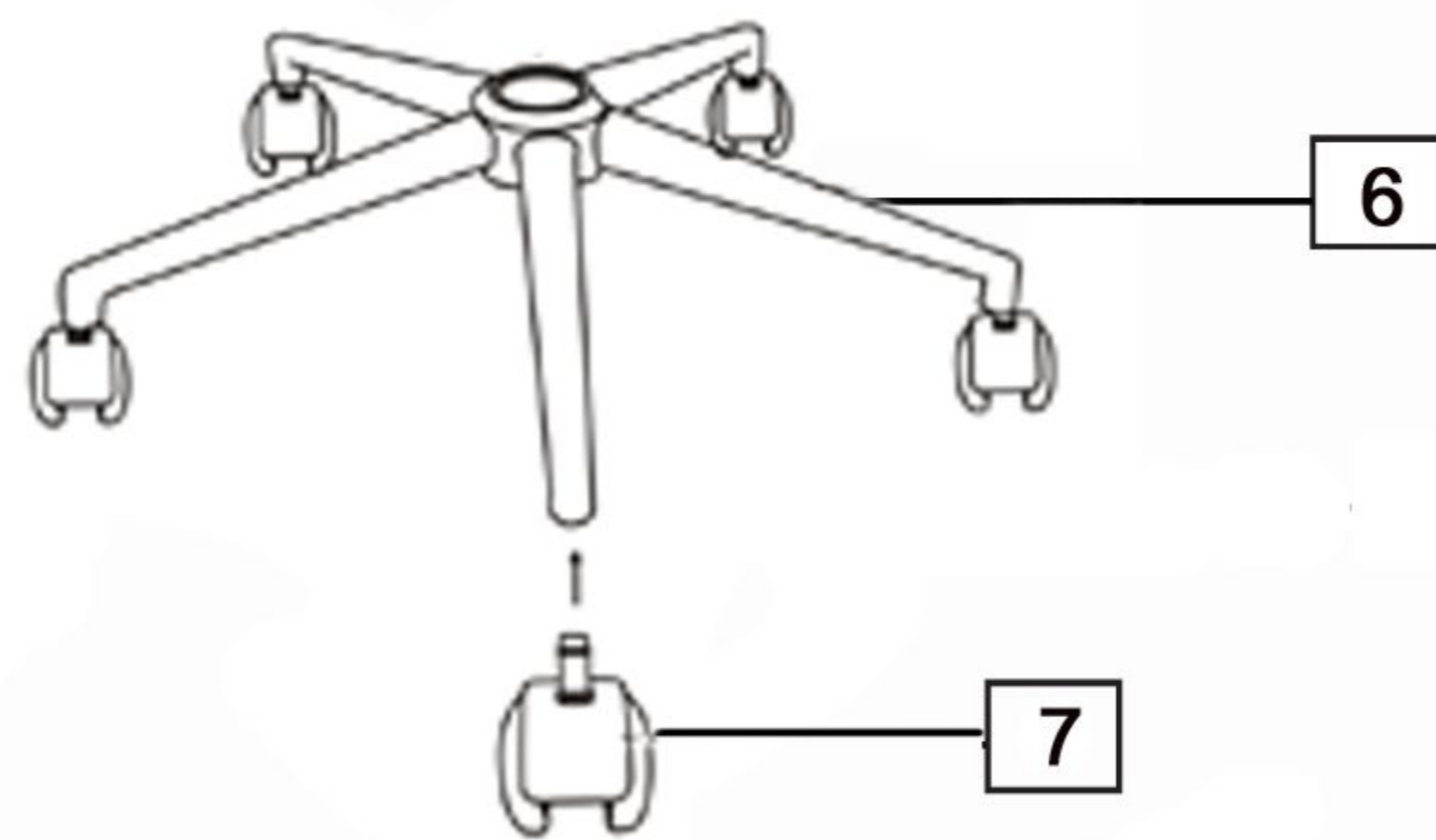
1a. Push all the five castors **7** onto the base **6**.

Note: Ensure all the castors are firmly located on the base.

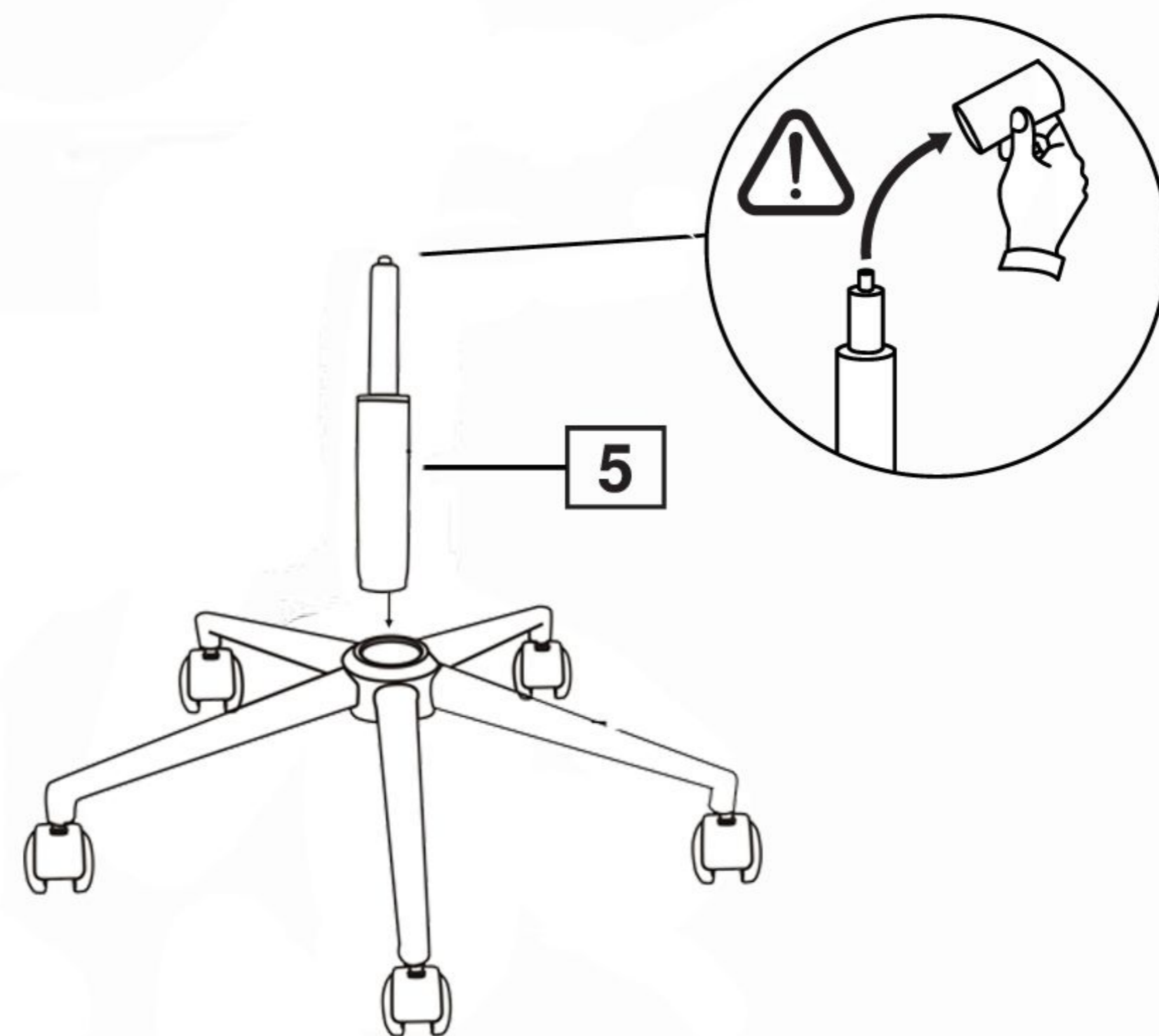
1b. Please remove the cap before assembly, then insert the gas lift **5** into the base.

Note: Ensure the gas lift is fully inserted.

1a.



1b.

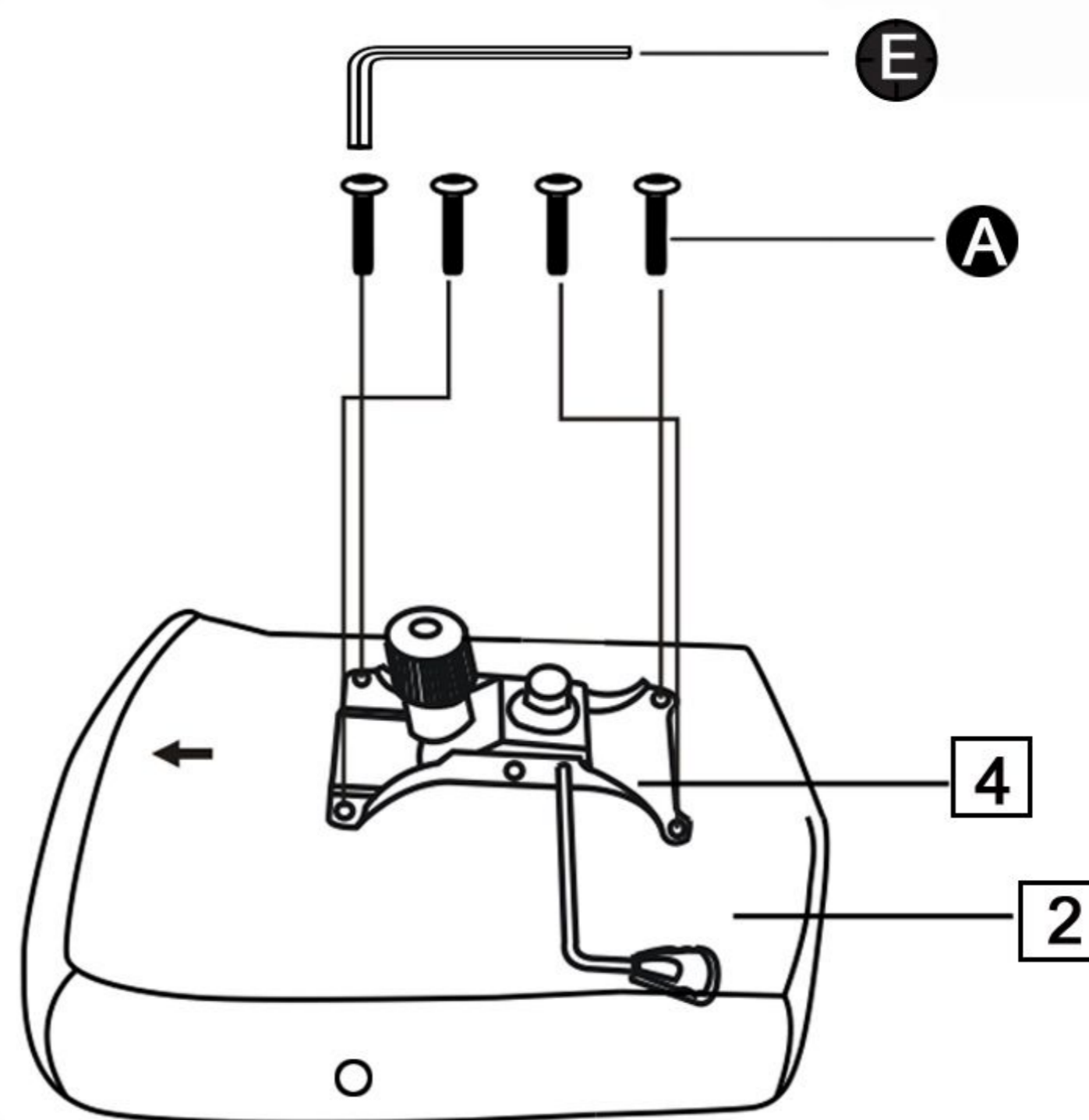


Step 2

Fitting the seat cushion

Use bolts **A** to fix seat support **4** onto the seat cushion **2**, ensure the support is fitted to the seat cushion with correct orientation.

Note: Tool required Allen Key **E**.
Don't fully secure bolts at this stage.



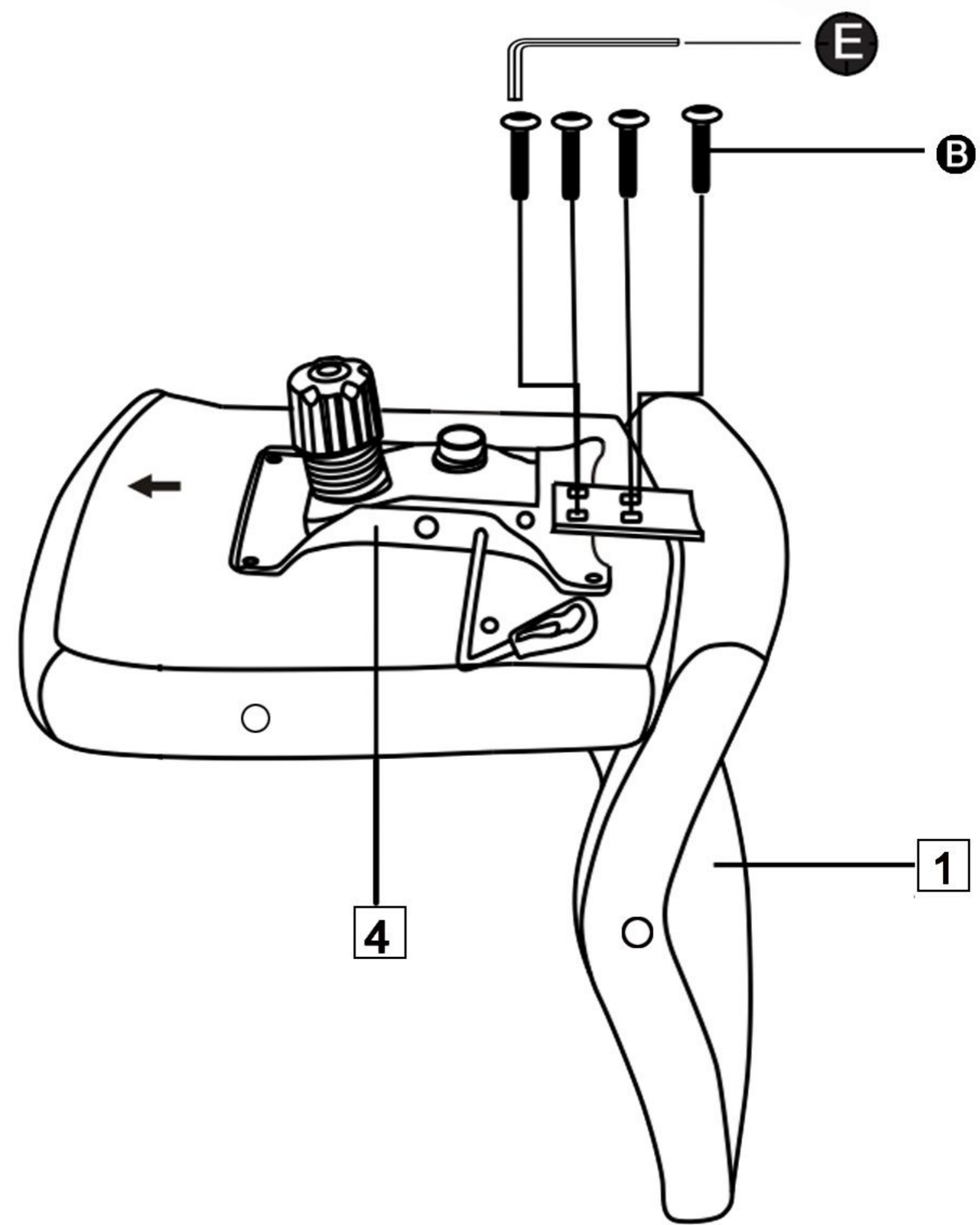
Assembly Instructions

Step 3

Fitting the backrest

Use bolts **B** to fix the backrest **1** onto the support **4**.

Note: Tool required Allen Key **E**.
Don't fully secure bolts at this stage.



Step 4

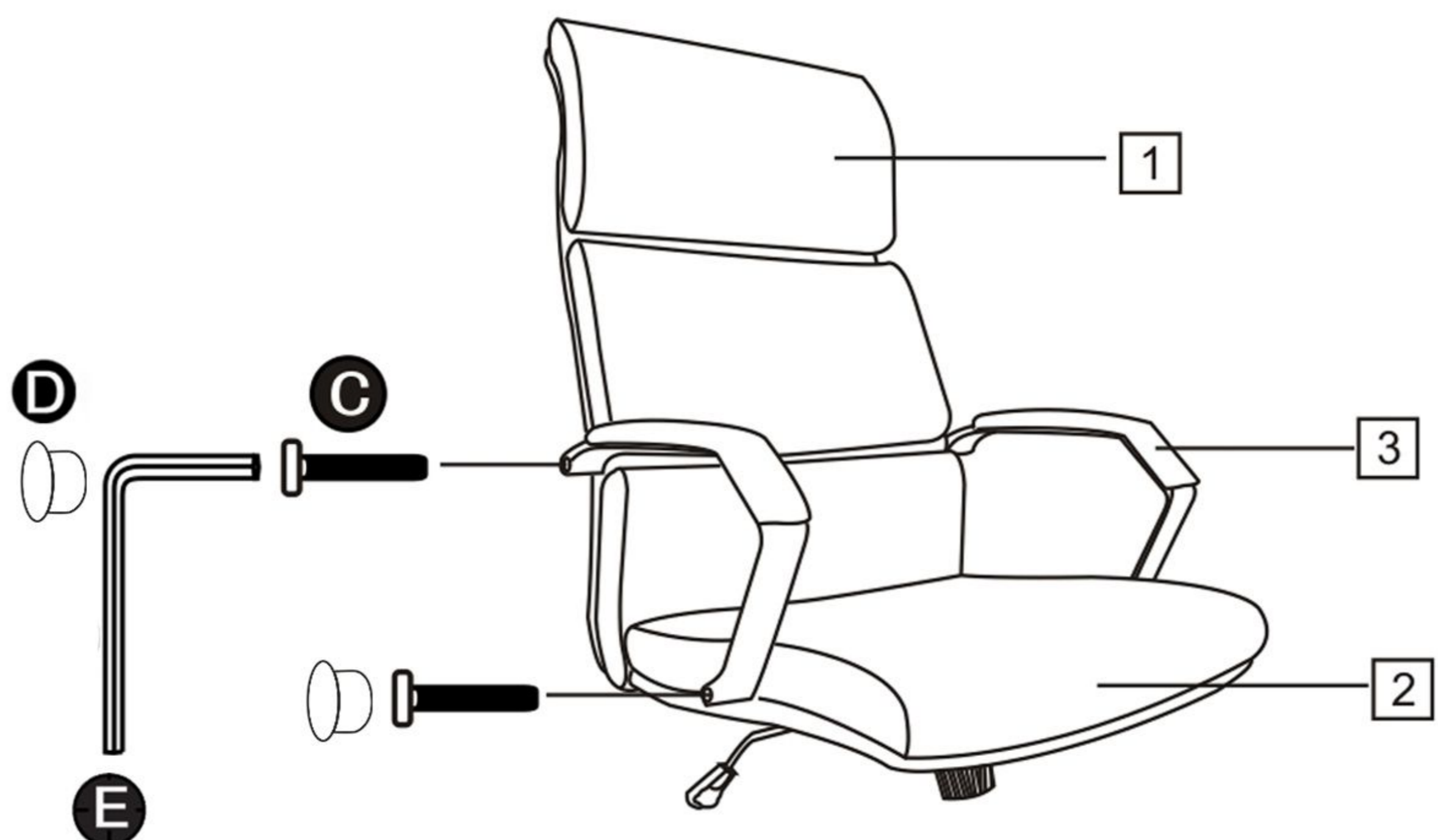
Fitting the armrests

You need flexibility to assemble the arms, it will be impossible to assemble the armrests if all the bolts are already very tight.

Use bolts **C** to fix the backrest **1** and the seat cushion **2**, finally insert the cap **D** on the bolts **C**.

Note: Tool required Allen Key **E**.

NOW FULLY SECURE ALL BOLTS IN 12 PLACES USING ALLEN KEY **E.**



Assembly Instructions

Step 5

Finishing the unit.

Carefully locate the seat cushion and backrest onto the gas lift of the base unit.

NOTE: To ensure gas lift mechanism remains secure assembly as shown, then sit on the seat, and raise/ lower the seat several times top and bottom.



**110kg
Max Weight**

If you need help or have damaged or missing parts, call the **Customer Helpline: 03456 400800**