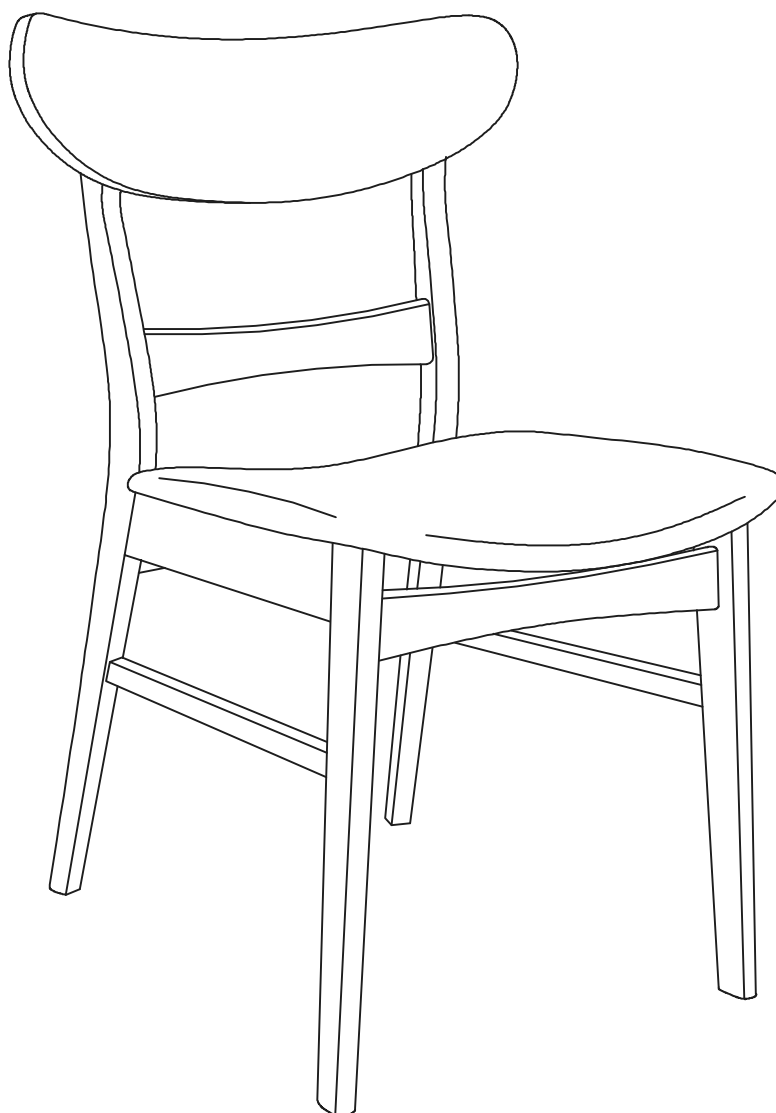


# afina dining chair

Assembly Instructions - Please keep for future reference

460/9043



## Dimensions

Width - 49.5cm

Depth - 54.5cm

Height - 78.5cm

**Important - Please read these instructions fully before starting assembly**

If you need help or have damaged or missing parts, call the **Customer Helpline:**  
**Argos = 0345 6400800**



# Safety and Care Advice

**Important - Please read these instructions fully before starting assembly**

- Check you have all the components and tools listed on the following pages.
- Remove all fittings from the plastic bags and separate them into their groups.
- Keep children and animals away from the work area, small parts could choke if swallowed.
- Make sure you have enough space to layout the parts before starting.
- During assembly do not stand or put weight on the product, this could cause damage.
- Assemble the item as close to its final position (in the same room) as possible.
- Assemble on a soft level surface to avoid damaging the unit or your floor.
- Parts of the assembly will be easier with 2 people.



- To reduce the likelihood of damaging your product please ensure that your power drill is set on a low torque setting.

- The maximum safe weight of user : 110kg.

## Care and maintenance

- Only clean using a damp cloth and mild detergent, do not use bleach or abrasive cleaners.
- From time to time check that there are no loose screws on this unit.
- This product should not be discarded with household waste. Take to your local authority waste disposal centre.

## Handy Hints

- Assemble all parts and bolts loosely during assembly, only once the product is complete should you fully tighten the bolts
- Regularly check and ensure that all bolts and fittings are tightened properly.

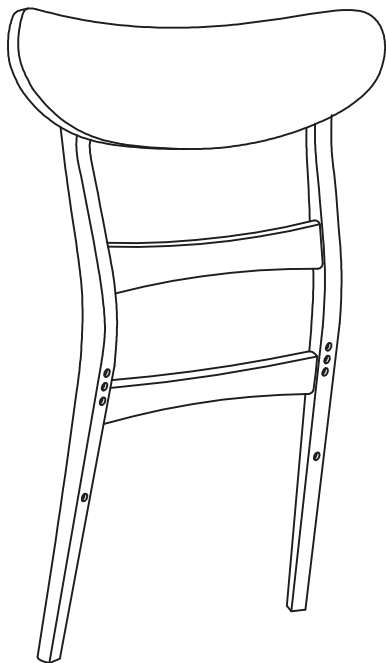
**Note:** if required the next page can be cut out and used as reference throughout the assembly. Keep this page with these instructions for future reference.

# Components - Panels

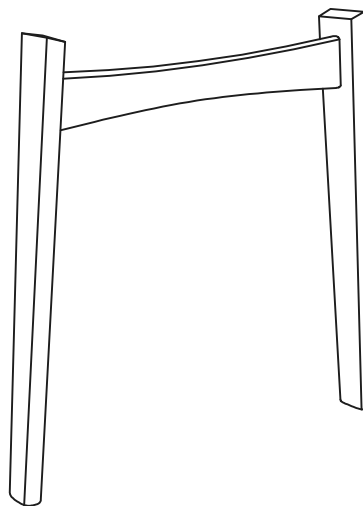
If you have damaged or missing components, call the  
Customer Helpline = Argos 0345 640800

Please check you have all the fittings listed below

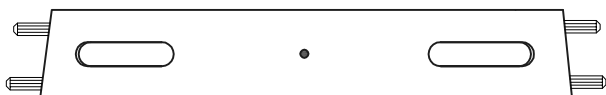
**NOTE:** Components, listed below are required for one chair only.



1 Backrest x 1  
(78.5 x 50cm)



2 Front Leg x 1  
(43 x 45cm)



3 Right Side Stretcher x 1  
(33.5 x 5.7cm)



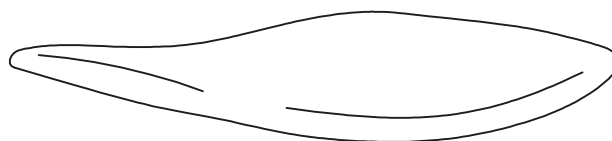
4 Left Side Stretcher x 1  
(33.5 x 5.7cm)



5 Right Side Rail x 1  
(36.5 x 1.9cm)



6 Left Side Rail x 1  
(36.5 x 1.9cm)



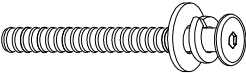

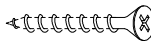

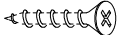
7 Seat Cushion x 1  
(42 x 45cm)



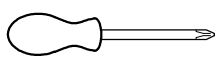
# Components - Fittings

Please check you have all the fittings listed below

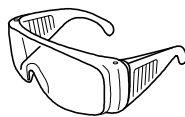
**Note:** The quantities below are the correct amount to complete the assembly for one chair. In some cases more fittings may be supplied than are required.

<p><b>A</b> </p> <p>50mm Bolt + Spring Washer + Flat Washer x 4</p>	<p><b>B</b> </p> <p>Allen Key x 1</p>	<p><b>C</b> </p> <p>32mm Screw x 4</p>
<p><b>D</b> </p> <p>L - Bracket x 4</p>	<p><b>E</b> </p> <p>12mm Screw x 8</p>	

## Tools required



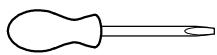
Phillips screwdriver (medium & large)



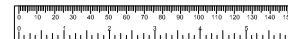
Eye protection (when using a hammer or glue)



Small hammer

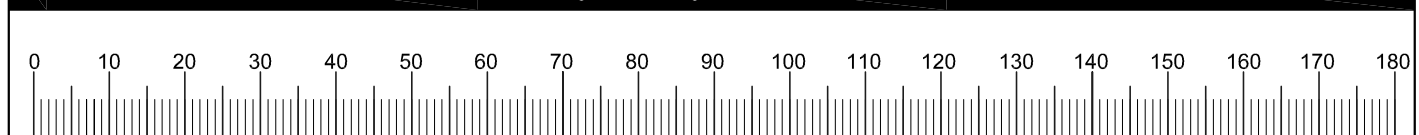


Flatblade screwdriver (medium)



Ruler/tape measure

## Ruler - Use this ruler to help correctly identify the screws



The screws length is measured from the head to the point (30mm screw shown).

# Assembly Instructions

## Step 1

**Note :** Before assembly please make sure the Stretcher and Side Rail is right position. **3** and **5** has small hole for identification.

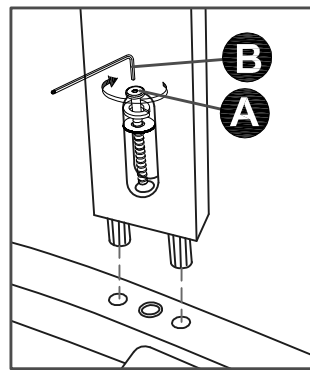
### Fitting the Side Stretcher

**a :** Insert Bolt **A** + Spring washer + Flat washer with Allen key **B** to fix side stretcher **3** and **4** onto backrest **1**.

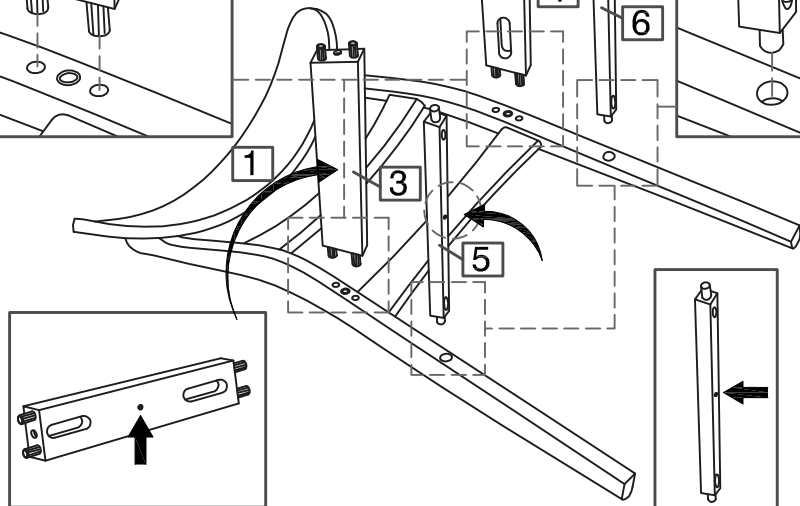
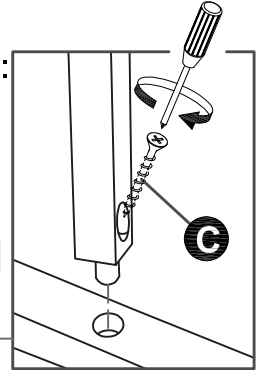
### Fitting the Side Rail

**b :** Insert Screw **C** to fix side rail **5** and **6** onto back rest **1** using Screwdriver.

a:



b:



**3** has a small hole for identification.

**5** has a small hole for identification.

## Step 2

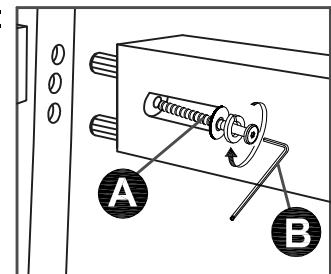
**Note :** It would be useful to ask someone to help you at this stage.

### Fitting the Front Leg

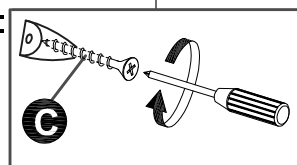
**c :** Insert Bolt **A** + Spring washer + Flat washer with Allen key **B** to fix front leg **2** onto side stretcher **3** and **4**.

**d :** Insert Screw **C** to fix side rail **5** and **6** onto front leg **2**.

c:



d:



**Note :** Do not fully tighten all the screw.

# Assembly Instructions

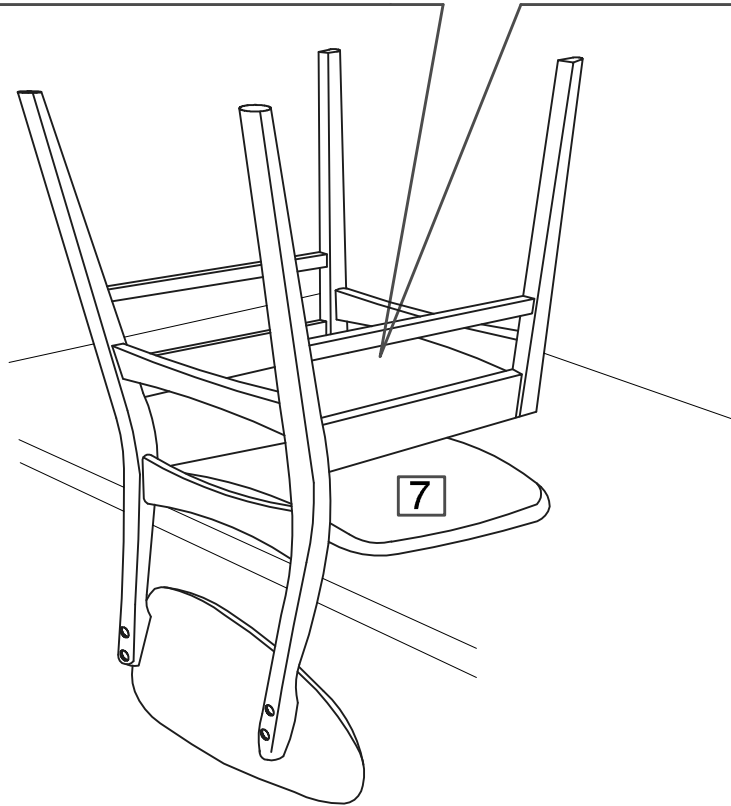
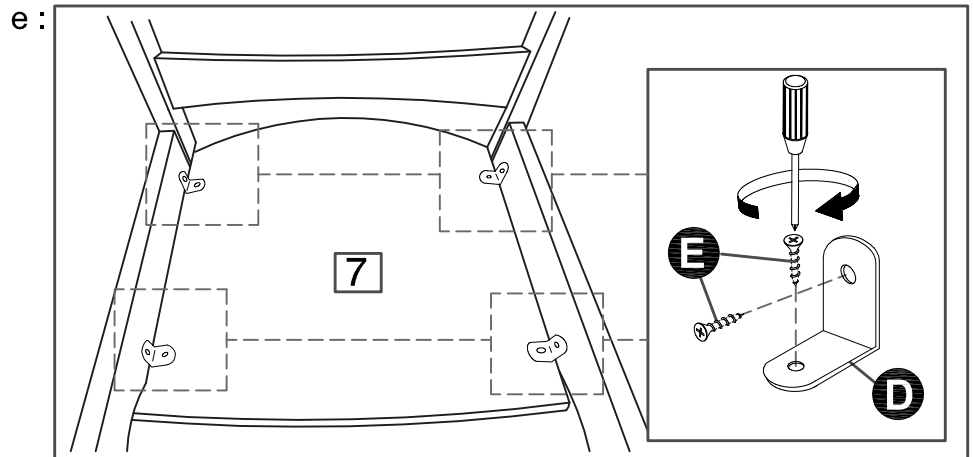
## Step 3

### Fitting the Cushion

**Note :** It would be useful to ask someone to help you at this stage.

**e :** Use L-Bracket **D** and Screw **E** to fix cushion seat **7** onto the unit.

**Note :** Fully tighten all the screw now.



# Assembly Instructions

## Step 4

### Finishing the unit

**Note:** Before use always make sure the unit is secure.

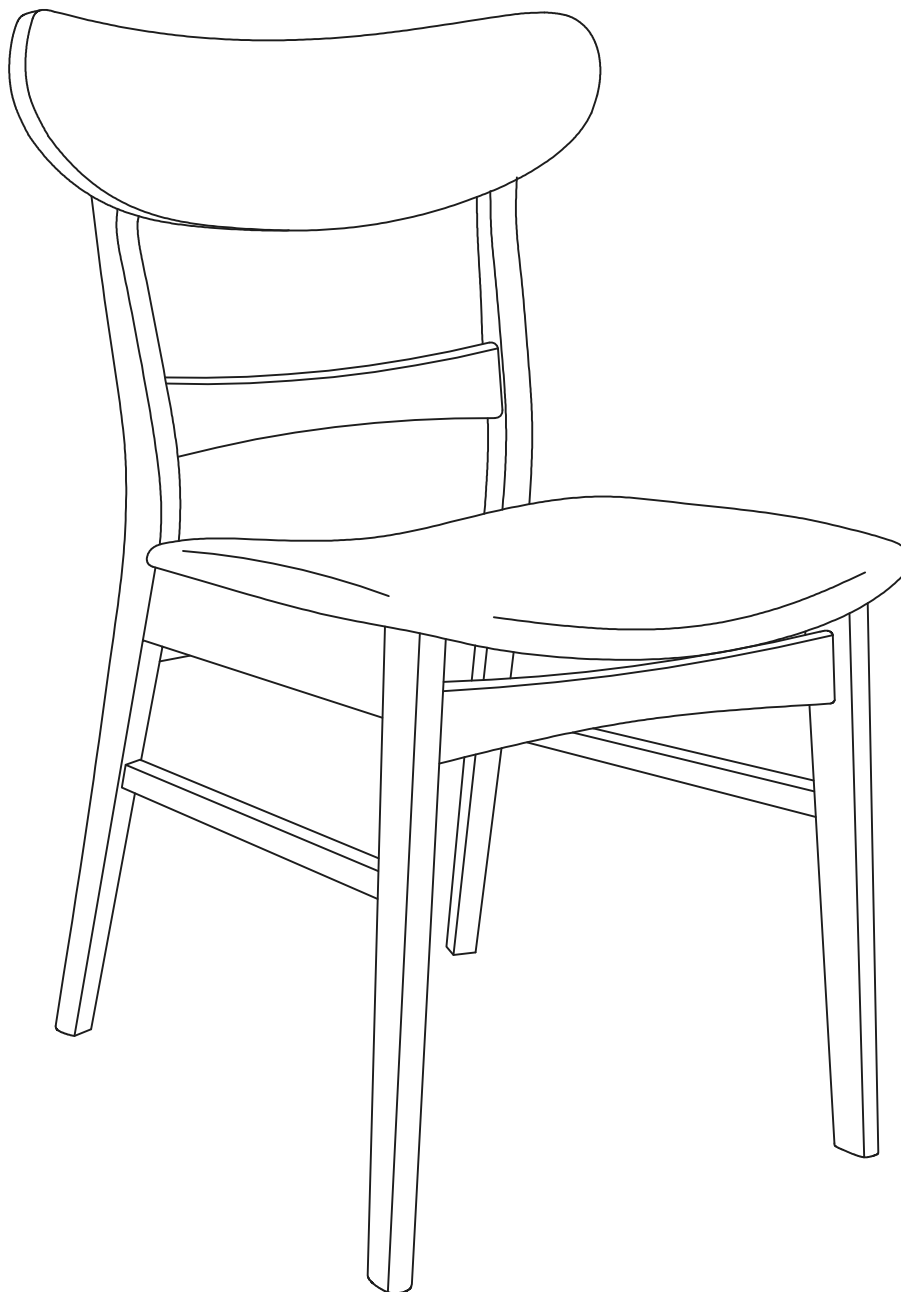
**Note:** The maximum safe weight of user: 110kg.



#### **Warning:**

- Do not stand on this chair. Do not use this chair as a step ladder.
- Use this product only for seating one person at a time.
- Do not use this chair unless all bolts, screws and knobs are firmly secured.
- At least every 4 months, check all bolts, screws and knobs, to be sure they are tight.
- If parts are missing, broken or damaged or worn, stop use of this product until repairs are made & using factory authorized parts.
- Failure to follow these warnings could result in serious injury.

**Assembly is complete.**



If you need help or have damaged or missing parts, call the Customer Helpline  
**Argos = 0345 6400800**