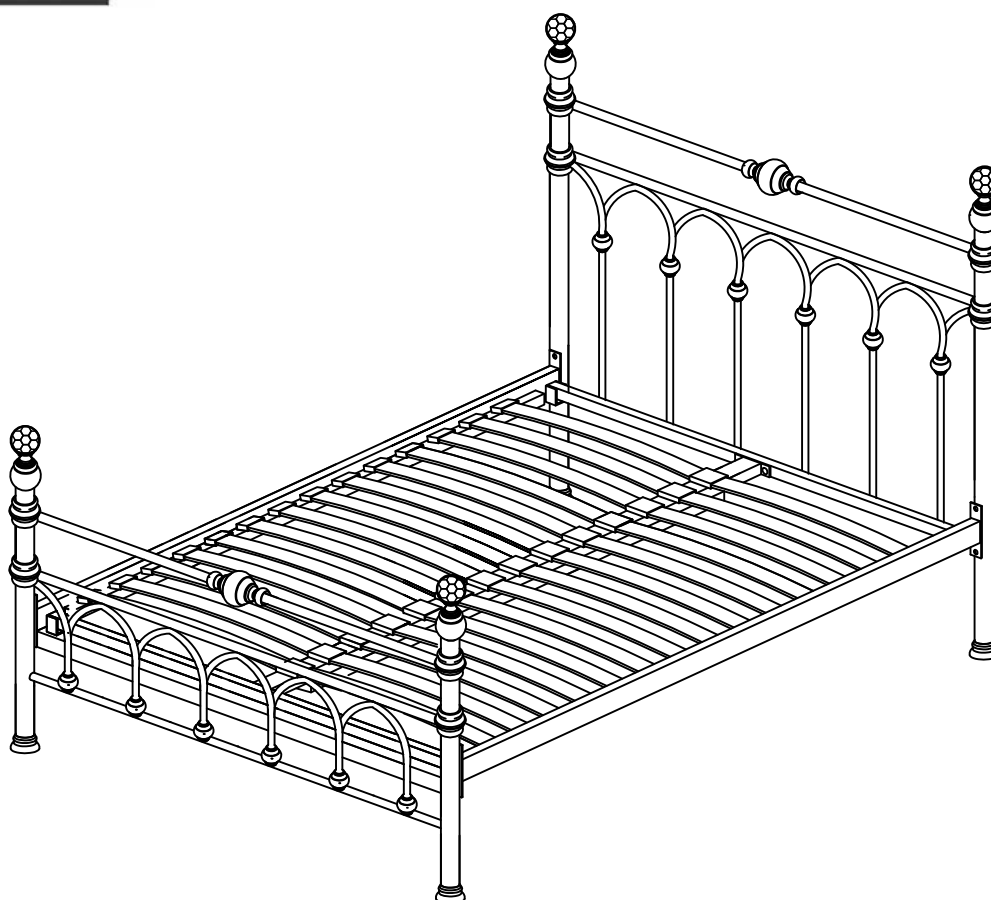


Leilani bed

Assembly Instructions – Please keep for future reference

483/0795

457/1669



Dimensions (4'6")	Dimensions (5')
Length - 203.5cm	Length - 213.5cm
Width - 147.4cm	Width - 162.7cm
Height - 120cm	Height - 120cm


Important-Please read these instructions fully before starting assembly

If you need help or have damaged or missing parts, call the Customer Helpline: 0345 6400 800



Safety and Care Advice

Important-Please read these instructions fully before starting assembly

- Check you have all the components and tools listed on pages 2 and 3.
- Remove all fittings from the plastic bags and separate them into their groups.
- Keep children and animals away from the work area, small parts could choke if swallowed.
-  Parts of the assembly will be easier with 2 people. Look out for this logo.
- Make sure you have enough space to layout the parts before starting.
- Assemble the item as close to its final position (in the same room) as possible.
- Dispose of all packaging carefully and responsibly.
- Place the product on flat and steady surface during use.
- Assemble on a soft level surface to avoid damaging the unit or your floor.
- Keep these instructions for further use.
- To ensure an easier assembly, we strongly advise that all fittings are only finger tightened during initial assembly. Only upon completion of the assembly should all fixing points be fully tightened.

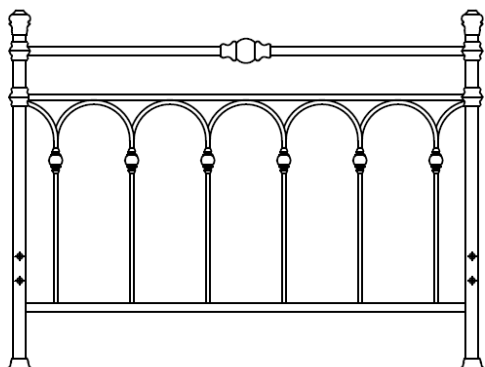
Care and maintenance

- only clean using a damp cloth and mild detergent, do not use bleach or abrasive cleaners.
- From time to time check that there are no loose screws on this unit.
- This product should not be discarded with household waste. Take to your local authority waste disposal center.

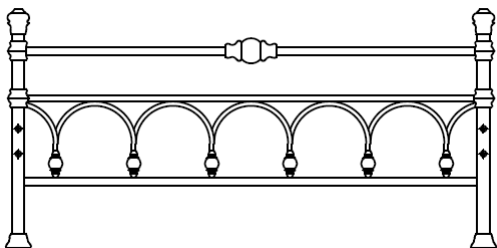
Components-Parts

If you have damaged or missing components,
call the Customer Helpline: 0345 6400 800

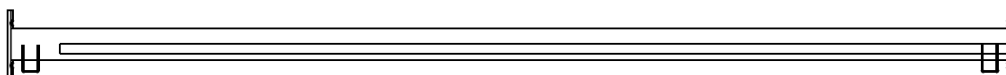
Please check you have all the fittings listed below.



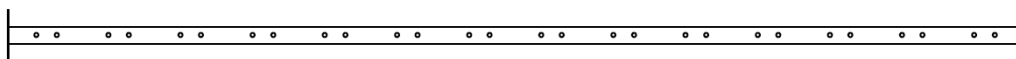
1 Headboard (147.7*120cm-4'6) (162.7*120cm-5')



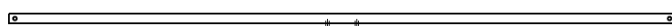
2 Footboard (147.7*80cm-4'6) (162.7*80cm-5')



3 Side rail x 2 (192*5cm-4'6) (202*5cm-5')



4 Centre support (183*3cm-4'6) (188*3cm-5')



5 End support x 2 (136*4cm-4'6) (151*4cm-5')



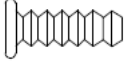

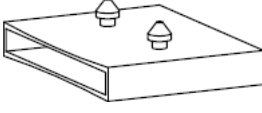
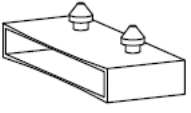


6 Bentwood slat (68cm*5.6cm x 28 pcs - 4'6) (75.5cm*5.6cm x 30 pcs - 5')

Components-Fittings

If you have damaged or missing components, call the Customer Helpline: 0345 6400 800

Please check you have all the fittings listed below.

Note: The quantities below are the correct amount to complete the assembly. In some cases more fittings may be supplied than are required.

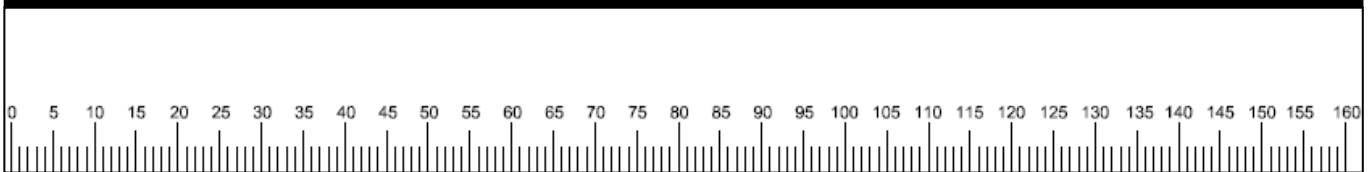
<p>A</p>  <p>22mm Allen screw X 16</p>	<p>B</p>  <p>Plain washer X 8</p>	<p>C</p>  <p>Double plastic cap (14pcs - 4'6") (15pcs - 5')</p>
<p>D</p>  <p>Single plastic cap (28pcs - 4'6") (30 pcs - 5')</p>	<p>E</p>  <p>Allen key X 1</p>	<p>F</p>  <p>Finial X 4</p>

Tools required



Ruler/tape
measure

Ruler- Use this ruler to help correctly identify the screws

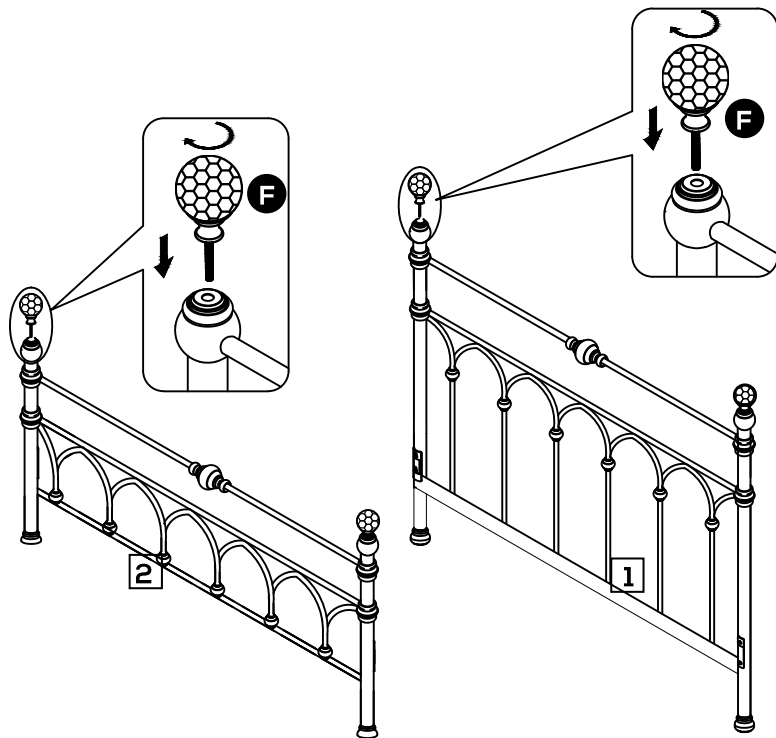


Assembly Instructions

Step 1.

Assembling finials

Assemble finials **F** to headboard **1** and footboard **2**.



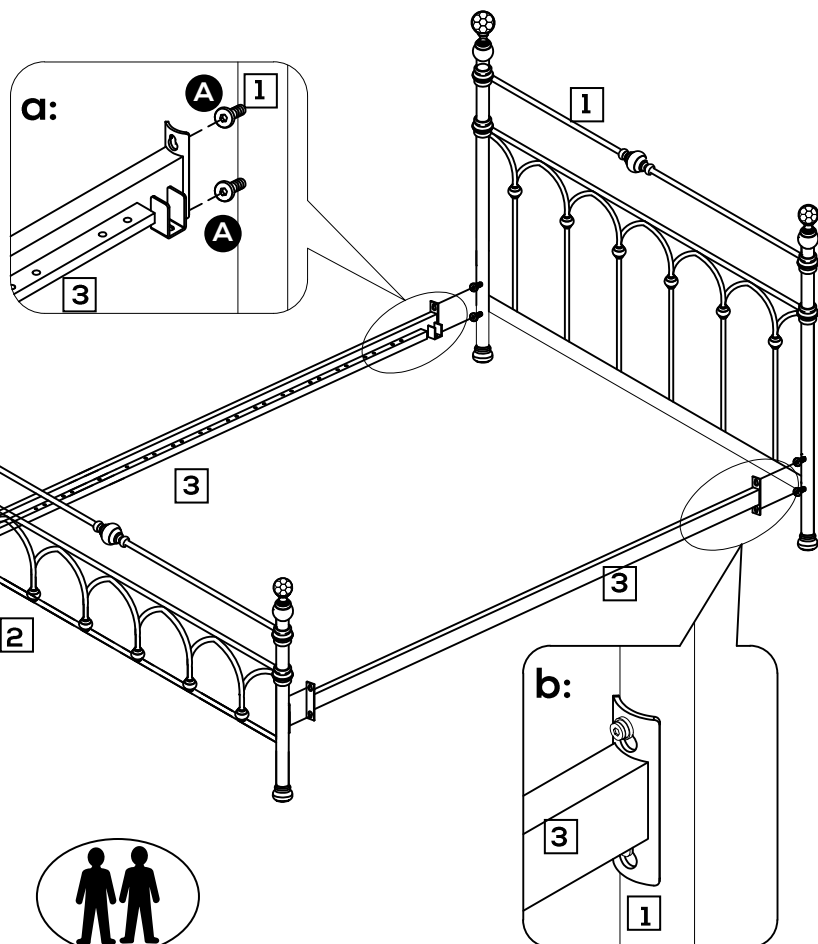
Step 2.

Assembling side rails

a: Loosely screw fixings **A** into headboard **1** and footboard **2** as shown.

b: Hook the side rail **3** brackets over fixings **A** in the headboard **1** and footboard **2**.

Once in position, fully tighten fixings **A**.



Assembly Instructions

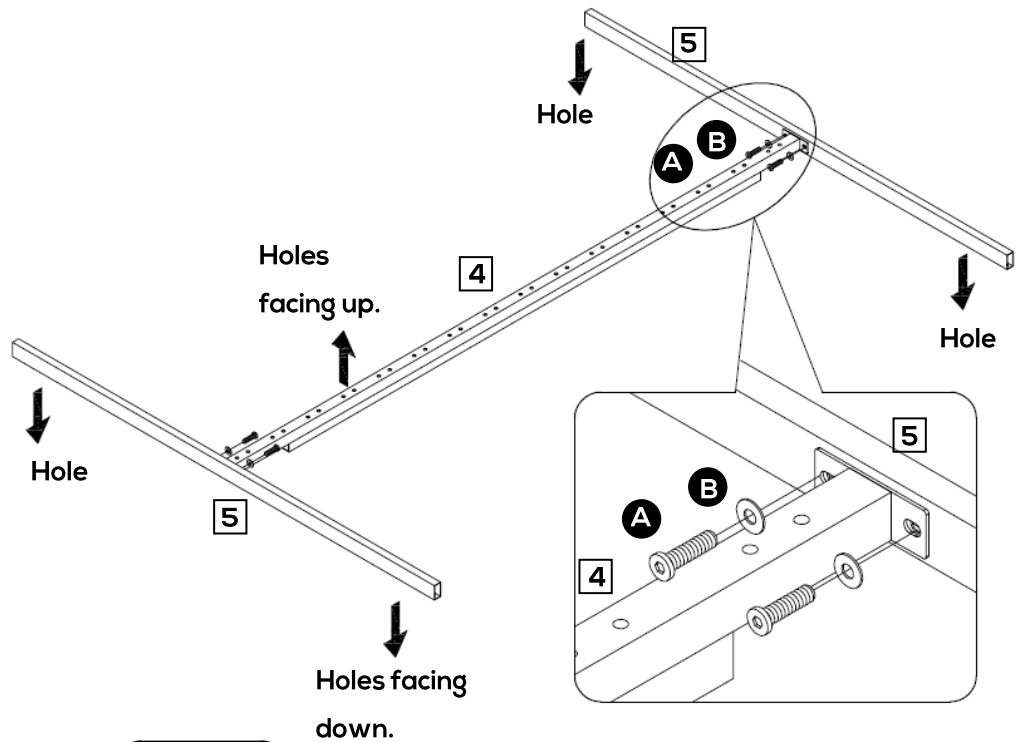
Step 3.

Assembling slat support frame

Assemble end supports **5** to each end of centre support **4** using fixings **A** and **B**.

Note: Ensure the holes in each end of end frames **5** are facing down.

Ensure the holes in centre support **4** are facing up.

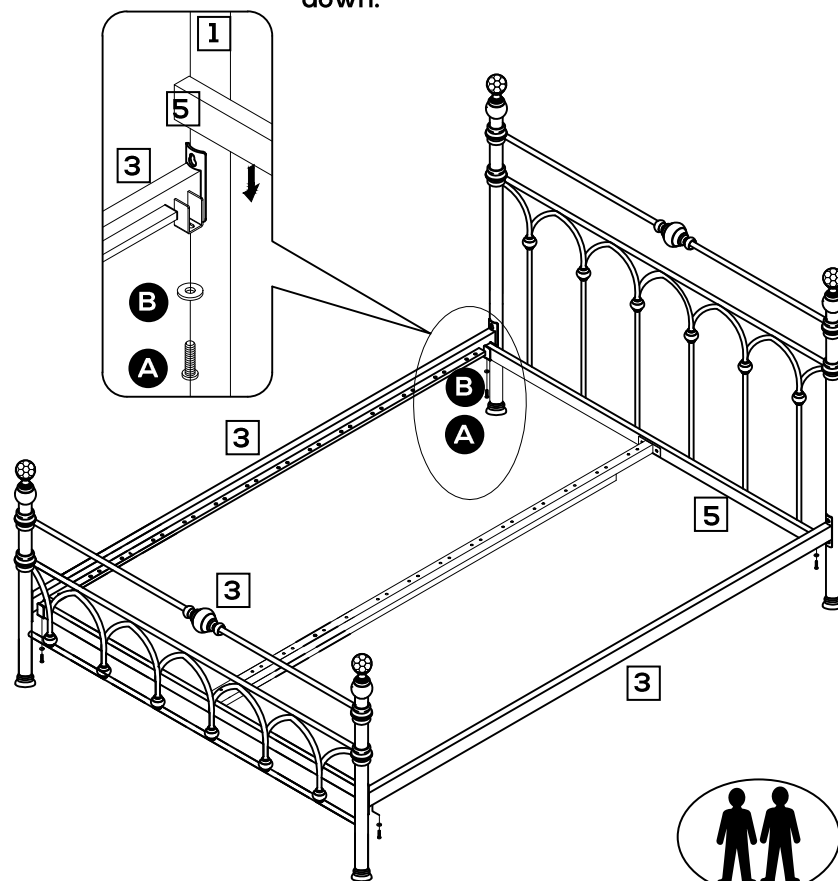


Step 4.

Attaching slat support

With help, locate the slat support frame into the brackets on the inside of side rails **3**.

Secure from the underside using fixings **A** and **B**.

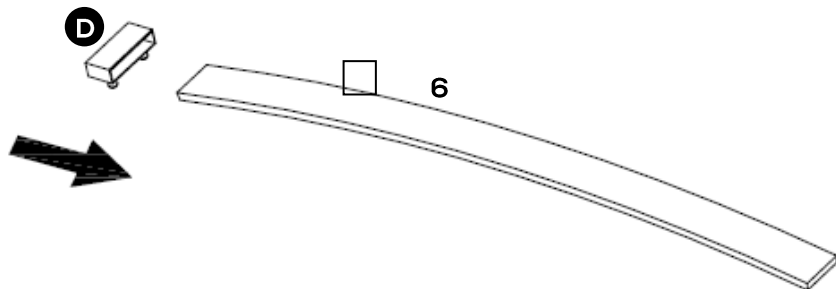


Assembly Instructions

Step 5.

Attaching single slat caps

Assemble single plastic caps **D** onto one end of bentwood slats **6**.

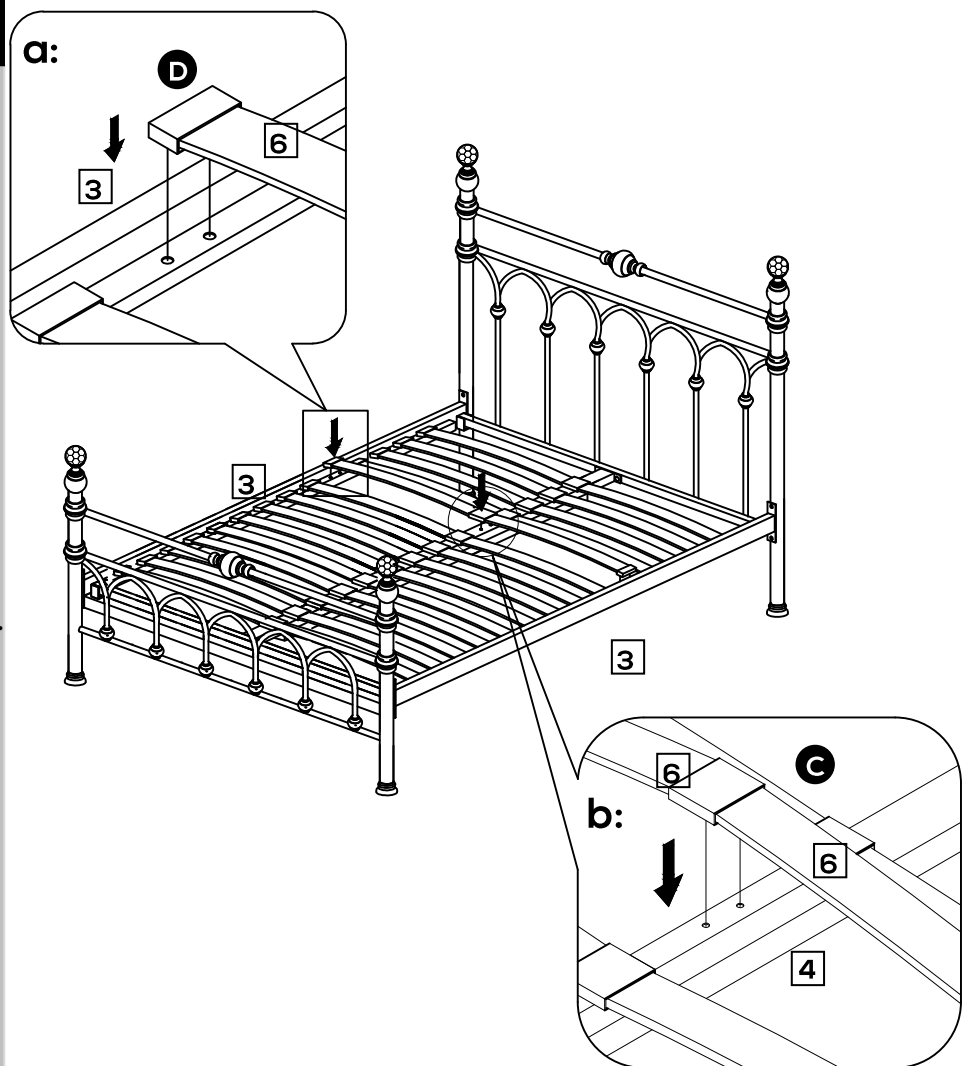


Step 6.

Attaching bentwood slats

a: Fit bentwood slats **6** into the side rails **3** by locating single plastic caps **D** into the holes.

b: Fit bentwood slats **6** into both sides of double plastic caps **C**, before pushing caps **C** into central support **4**.



Assembly is complete.

If you need help or have damaged or missing parts, call the **Customer Helpline: 0345 6400 800**
Home Retail Group. 489-499 Avebury Boulevard. Saxon Gate West. Central Milton Keynes. MK9 2NW