

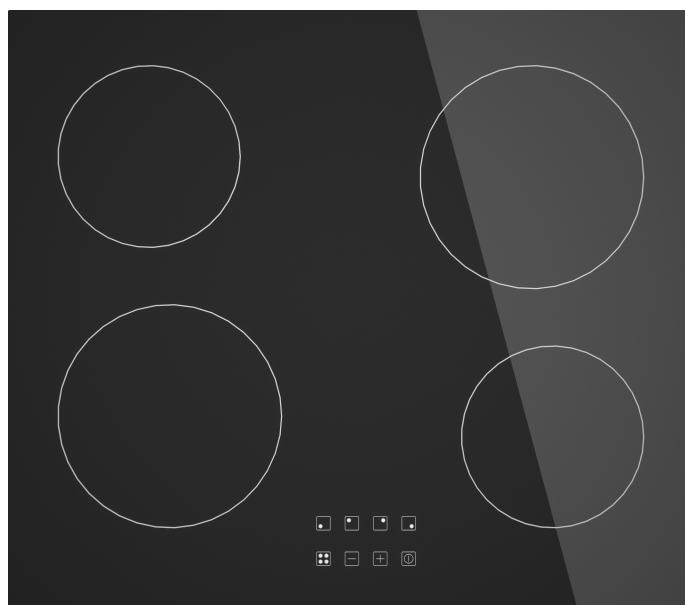
# BUSH

# "you @ ELECTRICAL"

Installation & User Instructions - Please keep for future reference

Cat no  
4830300

Model  
BUSH BPCH60B BLACK



Cooker serial number     *place sticker here*

**Important** – Please read these instructions fully before installing or using

These instructions contain important information which will help you get the best from your appliance and ensure safe and correct installation, use and maintenance.

If you need help or have damaged or missing parts, call **Argos Product Support 01759 487838**

DESCRIPTION OF THE HOB	1
SAFETY INFORMATION	2
INSTALLATION	4
USAGE	6
CLEANING AND CARE	7

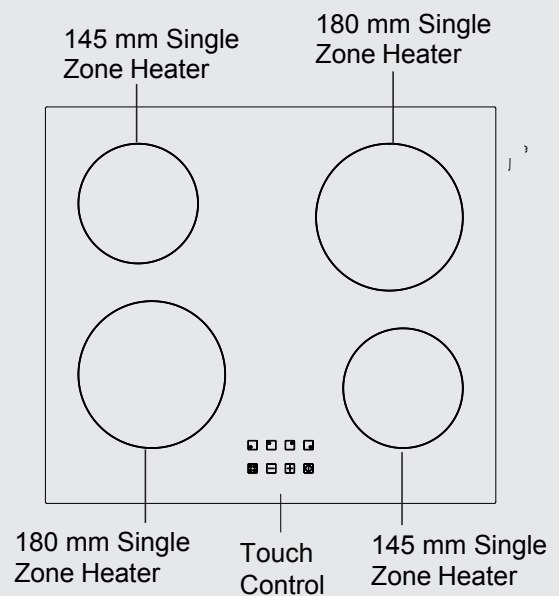
Dear Customer,

It is important that you should read this manual in order to get the best performance from your appliance and to also help extend the life of your appliance.

We recommend that you keep this manual for future reference.

Your new hob is guaranteed if used correctly it should provide you with lasting service. This guarantee is only applicable if the appliance has been installed and operated in accordance with the operating and installation instructions.

## DESCRIPTION OF THE HOB



Product code

**BPCH60B**



# Safety Information

**Important - Please read these instructions fully before installation**

READ THESE INSTRUCTIONS CAREFULLY AND COMPLETELY BEFORE USING YOUR APPLIANCE, AND KEEP IT IN A CONVENIENT PLACE FOR REFERENCE WHEN NECESSARY.

THIS MANUAL IS PREPARED FOR MORE THAN ONE MODEL IN COMMON. YOUR APPLIANCE MAY NOT HAVE SOME OF THE FEATURES THAT ARE EXPLAINED IN THIS MANUAL. PAY ATTENTION TO THE EXPRESSIONS THAT HAVE FIGURES, WHILE YOU ARE READING THE OPERATING MANUAL.

## General Safety Warnings

**IMPORTANT-** This appliance can be used by children aged from 8 years and above and persons with reduced physical, sensory or mental capabilities or lack of experience and knowledge if they have been given supervision or instruction concerning use of the appliance in a safe way and understand the hazards involved. Children shall not play with the appliance. Cleaning and user maintenance shall not be made by children without supervision.

**WARNING-** The appliance and its accessible parts become hot during use. Care should be taken to avoid touching heating elements. Children less than 8 years of age shall be kept away unless continuously supervised.

**WARNING-** Unattended cooking on a hob with fat or oil can be dangerous and may result in fire. NEVER try to extinguish a fire with water, but switch off the appliance and then

cover flame e.g. with a lid or a fire blanket.

**WARNING-** Danger of fire: do not store items on the cooking surfaces.

**WARNING-** If the surface is cracked, switch off the appliance to avoid the possibility of electric shock.

**IMPORTANT-** For hobs incorporating a lid, any spillage should be removed from the lid before opening. And also the hob surface should be allowed to cool before closing the lid.

**IMPORTANT-** The appliance is not intended to be operated by means of an external timer or separate remote-control system.

**IMPORTANT-** Do not use harsh abrasive cleaners or sharp metal scrapers to clean the oven door glass and other surface since they can scratch the surface, which may result in shattering of the glass or damage to the surface.

**IMPORTANT-** Do not use steam cleaners for cleaning the appliance.

**IMPORTANT-** Your appliance is produced in accordance with all applicable local and international standards and regulations.

**IMPORTANT-** Maintenance and repair work must be made only by authorized service technicians. Installation and repair work that is carried out by unauthorized technicians may endanger you. It is



## Important - Please read these instructions fully before installation

dangerous to alter or modify the specifications of the appliance in any way.

**IMPORTANT-** Prior to installation, ensure that the local distribution conditions (nature of the gas and gas pressure or electricity voltage and frequency) and the requirements of the appliance are compatible. The requirements for this appliance are stated on the label.

**CAUTION-** This appliance is designed only for cooking food and is intended for indoor domestic household use only and should not be used for any other purpose or in any other application, such as for non-domestic use or in a commercial environment or room heating.

**IMPORTANT-** All possible security measures have been taken to ensure your safety. Since the glass may break, you should be careful while cleaning to avoid scratching. Avoid hitting or knocking on the glass with accessories.

**IMPORTANT-** Ensure that the supply cord is not wedged during the installation. If the supply cord is damaged, it must be replaced by the manufacturer, its service agent or similarly qualified persons in order to prevent a hazard.

### Installation Warnings

**IMPORTANT-** Do not operate the appliance before it is fully installed.

**IMPORTANT-** The appliance must be installed by an authorized technician and put into use. The producer is not responsible for any damage that might be caused by defective placement and installation by unauthorized people.

**IMPORTANT-** When you unpack the appliance, make sure that it is not damaged during transportation. In case of any defect; do not use the appliance and contact a qualified service agent immediately. As the materials used for packaging (nylon, staplers, styrofoam...etc) may cause harmful effects to children, they should be collected and removed immediately.

**IMPORTANT-** Protect your appliance against atmospheric effects. Do not expose it to effects such as sun, rain, snow etc.

**IMPORTANT-** The surrounding materials of the appliance (cabinet) must be able to withstand a temperature of min 100°C.

### During usage

**IMPORTANT-** Do not put flammable or combustible materials, in or near the appliance when it is operating.

**IMPORTANT-** Do not leave the cooker while cooking with solid or liquid oils. They may catch fire on condition of extreme heating. Never pour water on to flames that are caused by oil. Cover the saucepan or frypan with its cover in order to choke the flame that has occurred in this case and turn the cooker off.

**IMPORTANT-** Always position pans over the centre of the cooking zone, and turn the handles to a safe position so they cannot be knocked or grabbed.

**IMPORTANT-** If you will not use the appliance for a long time, plug it off. Keep the main control switch off. Also when you do not use the appliance, keep the gas valve off.

**IMPORTANT-** Make sure the appliance control knobs are always in the "0" (stop) position when it is not used.

### During cleaning and maintenance

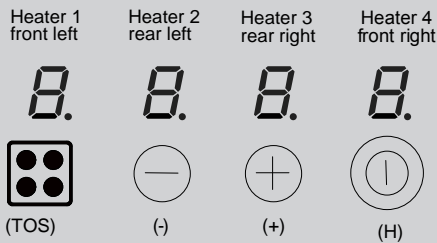
**IMPORTANT-** Always turn the appliance off before operations such as cleaning or maintenance. You can do it after plugging the appliance off or turning the main switches off.

**IMPORTANT-** Do not remove the control knobs to clean the control panel.

TO MAINTAIN THE EFFICIENCY AND SAFETY OF YOUR APPLIANCE, WE RECOMMEND YOU ALWAYS USE ORIGINAL SPARE PARTS AND TO CALL ONLY OUR AUTHORIZED SERVICE AGENTS IN CASE OF NEED.

# Start-up and use

## Horizontal Operating Layout:



## Quick User Guide:

### Sensor calibration:

Sensor calibration will be made after every "power on" of the power lines. During sensor calibration "-" will be shown in all displays. Do not cover the sensors during this time. Prevent control from high ambient light levels.

Switch on control:

Operate "H" sensor (on the right side) for at least 1 sec.

### Select heater:

Flashing "0" or "X" (already selected cooking level) shows selected heater. Heater selection can be made by toggling heaters with TOS Sensor.

### Cooking Level Selection:

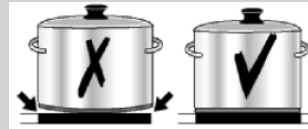
Once a heater is selected, touch "+" to increase the cooking level, touch "-" to decrease the cooking level

### Switching off a heater:

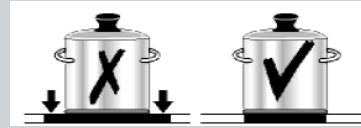
In order to switch off a selected heater touch "+" and "-" sensor simultaneously.

For the first time use, operate your electric cooker for 5 minutes in position 3 without placing a utensil on it. This is going to provide for the hardening of the heat resistant material on the cooker.

In order to get the maximum efficiency out of the heaters, please pay attention to the sizes of the utensils that are going to be placed on the heaters and the utensil to be flat base one.



The diameter of the bases of the utensils to be used; should be the same as the diameter of the heater. While buying new sets of utensils, please pay attention to the dimensions of the heater surfaces.



In order to protect the glass surface of your cooker; the cap of the cooking utensil should be closed during the cooking procedure.



Aluminium or copper based utensils may leave traces to be cleaned on the glass surface after the cooking procedure which will require cleaning.

Utensils with barbed bases should not be used since they may scratch the glass surface.


The bases of the cooking utensils should be clean and dry before using on the cooker.

The base of the cooking utensil should be a bit concave while cold. When it is heated in this manner due to a little bit of expansion, the contact with the surface of the cooker would have been increased and the maximum amount of heat transfer is thereby provided from the cooker to the utensil. For the enamel utensil bases the best thickness is 2 to 3 mms; however the same measurement is 4 to 6 mms at its best for stainless steel utensils with sandwich type bases.

To decide on whether the base of the utensil is correct or not; a very simple test could be performed (when it is cold). Keep the base of the utensil on a flat table and cut down some paper shreds and pass them underneath the utensil. (for an enamel utensil, 5 to 10 paper shreds; and for a stainless steel utensil, 2 to 5 paper shreds are going to be appropriate).

# Precautions and tips

! This appliance has been designed and manufactured in compliance with international safety standards. The following warnings are provided for safety reasons and must be read carefully.

 This appliance conforms to the following European Economic Community directives:

- 2006/95/EEC dated 12/12/06 (Low Voltage) and subsequent amendments;

- 2004/108/EEC dated 15/12/04 (Electromagnetic Compatibility) and subsequent amendments;


- 93/68/EEC dated 22/07/93 and subsequent amendments.

- 1275/2008 stand-by/off mode.

## General safety

! Make sure that the air inlet behind the fan grille is never obstructed. The built-in hob should, in fact, be provided with suitable ventilation for the cooling of the electronic components used in the appliance.

- The appliance was designed for domestic use inside the home and is not intended for commercial or industrial use.
- The appliance must not be installed outdoors, even in covered areas. It is extremely dangerous to leave the appliance exposed to rain and storms.
- Do not touch the appliance when barefoot or with wet or damp hands and feet.
- **The appliance must be used by adults only for the preparation of food, in accordance with the instructions outlined in this booklet. Any other use of the appliance (e.g. for heating the room) constitutes improper use and is dangerous. The manufacturer may not be held liable for any damage resulting from improper, incorrect and unreasonable use of the appliance.**
- The glass ceramic hob is resistant to mechanical shocks, but it may crack (or even break) if hit with a sharp object such as a tool. If this happens, disconnect the appliance from the electricity mains immediately and contact a Service Centre.
- Ensure that power supply cables of other electrical appliances do not come into contact with the hot parts of the hob.
- Remember that the cooking zones remain relatively hot for at least thirty minutes after they have been switched off. An indicator light provides a warning when residual heat is present (see Start-up and use).

 Symbol is shown for indicator light.

- Keep any object which could melt away from the hob, for example plastic and aluminium objects, or products with a high sugar content. Be especially careful when using plastic film and aluminium foil or packaging: if placed on surfaces which are still hot, they may cause serious damage to the hob.
- Always make sure that pan handles are turned towards the centre of the hob in order to avoid accidental burns.
- When unplugging the appliance, always pull the plug from the mains socket; do not pull on the cable.
- Never perform any cleaning or maintenance work without having disconnected the appliance from the electricity mains.
- The appliance should not be operated by people (including children) with reduced physical, sensory or mental capacities, by inexperienced individuals or by anyone who is not familiar with the product. These individuals should, at the very least, be supervised by someone who assumes responsibility for their safety or receive preliminary instructions relating to the operation of the appliance.
- Do not look at the halogen lamps in the cooking zones for long if they are present.
- Do not let children play with the appliance.
- Do not place metal objects (knives, spoons, pan lids, etc.) on the hob as they may become hot.
- The appliance is not intended to be operated by means of an external timer or separate remote-control system.



## Disposal

- When disposing of packaging material: observe local legislation so that the packaging may be reused.
- The European Directive 2002/96/EC relating to Waste Electrical and Electronic Equipment (WEEE) states that household appliances should not be disposed of using the normal solid urban waste cycle. Exhausted appliances should be collected separately in order

to optimise the cost of re-using and recycling the materials inside the machine, while preventing potential damage to the atmosphere and to public health. The crossed-out dustbin is marked on all products to remind the owner of their obligations regarding separated waste collection.

For further information relating to the correct disposal of exhausted household appliances, owners may contact the public service provided or their local dealer.

# Installation

! Before operating your new appliance please read this instruction booklet carefully. It contains important information concerning the safe operation, installation and maintenance of the appliance.

! Please keep these operating instructions for future reference. Pass them on to any new owners of the appliance.

## Positioning

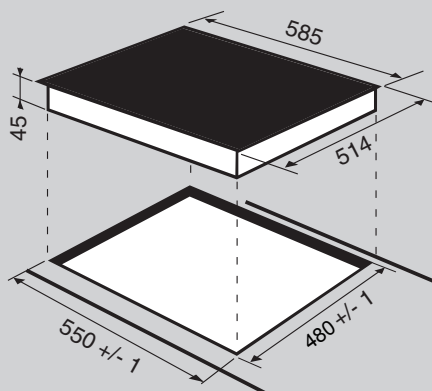
! Keep all packaging material out of the reach of children. It may present a choking or suffocation hazard (see Precautions and tips).

! The appliance must be installed by a qualified professional in accordance with the instructions provided. Incorrect installation may cause harm to people and animals or may damage property.

## Built-in appliance

Use a suitable cabinet to ensure that the appliance functions properly.

- The supporting surface must be heat-resistant up to a temperature of approximately 100°C.
- If the appliance is to be installed above an oven, the oven must be equipped with a forced ventilation cooling system.
- Avoid installing the hob above a dishwasher: if this cannot be avoided, place a waterproof separation device between the two appliances.
- Depending on the hob you want to install, the cabinet must have the following dimensions (see figure):

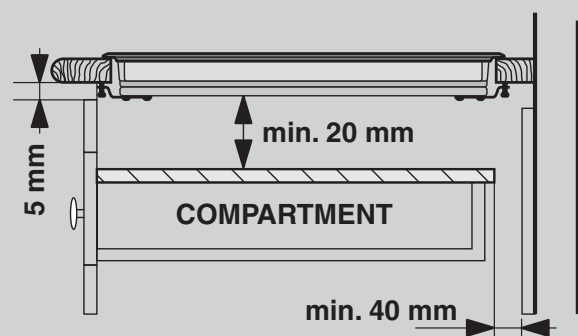
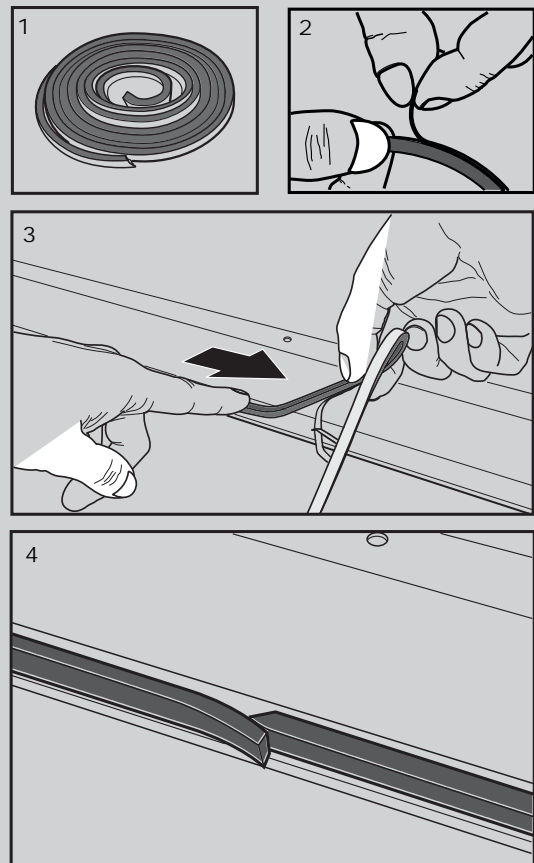


## Ventilation

To allow adequate ventilation and to avoid overheating of the surrounding surfaces the hob should be positioned as follows:

- At a minimum distance of 40 mm from the back panel.

- So that a minimum distance of 20 mm is maintained between the installation cavity and the cabinet underneath.
- Kitchen cabinets adjacent to the appliance and taller than the top of the hob must be at least 600 mm from the edge of the hob.



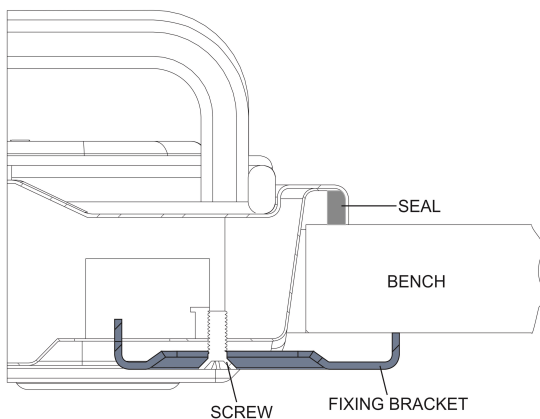
# Installation

## Fixing

The appliance must be installed on a perfectly level supporting surface.

- Apply the one-sided self-adhesive sealing tape supplied all the way round the lower edge of the cooking surface along the outer edge of the glass ceramic.

- Screw the 4 worktop mounting brackets on the bottom of product panel.



## Electrical connection

Before proceeding with the electrical connection, verify that the current carrying capacity of the system and the socket is adequate for the maximum power rating of the hob.

- Electrical installation of the residence and the plug in use must be earthed and conform with safety regulations.

- If there is no dedicated hob circuit and fused switch, they must be installed by a qualified electrician before the hob is connected.

- The fused switch must be easily accessible once the hob has been installed.

- Do not use adaptors, multiple sockets and/or extension leads.

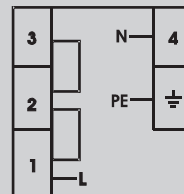
- This appliance conforms with the requirements of the following EEC Directives:

1. Vitroceramic hob EEC/73/23 and 93/68, EEC/89/336 relating to radio interference,

2. EEC/89/109 relating to contact with foods.

- A circuit breaker with a contact opening of at least 3mm, rated 25A and of delayed functioning type must be installed inside the supply circuit.

- For the knob controlled vitroceramic hob, the cable must be 3x2,5mm<sup>2</sup> for single phase / 60227 IEC 53. You will find the connection diagram shown on the bottom of your appliance.



3x2.5 mm<sup>2</sup> 220 V~  
3x2.5 mm<sup>2</sup> 230 V~  
3x2.5 mm<sup>2</sup> 240 V~

\* This appliance must be earthed.

\* For this connection a power lead of wire type H05VV-F should be used.

- During installation, please ensure that isolated cables are used. An incorrect connection might damage your appliance. The guarantee will not cover such damages.

- All repairs must be carried out by authorised service personnel or a qualified electrician.

- Unplug your appliance before carrying out maintenance. For reconnection, follow the connection diagrams strictly.

- Cooking hobs are provided with supply cord.



# Installation

## Connecting the electricity supply cable to the mains

If the appliance is being connected directly to the electricity mains an omnipolar switch must be installed with a minimum opening of 3 mm between contacts.

! The installer must ensure that the correct electrical connection has been made and that it is fully compliant with safety regulations.

Before connecting the appliance to the power supply, make sure that:

- The appliance is earthed and the plug is compliant with the law.

- The socket can withstand the maximum power of the appliance, which is indicated on the data plate located on the appliance itself.
- The voltage falls within the range of values indicated on the data plate.
- The socket is compatible with the plug of the appliance. If the socket is incompatible with the plug, ask an authorised technician to replace it. Do not use extension cords or multiple sockets.

! Once the appliance has been installed, the power supply cable and the electrical socket must be easily accessible.

! The cable must not be bent or compressed.

! The cable must be checked regularly and replaced by authorised technicians only.

**! The manufacturer declines any liability should these safety measures not be observed.**

! Do not remove or replace the power supply cable for any reason. Its removal or replacement will void the warranty and the CE marking. ARGOS does not assume liability for accidents or damage arising from replacement/removal of the original power supply cable. Replacement can only be accepted when carried out by personnel authorised by ARGOS and using an original spare part.

# Care and maintenance

## Switching the appliance off

Disconnect your appliance from the electricity supply before carrying out any work on it.

## Cleaning the appliance

! Do not use abrasive or corrosive detergents (for example, products in spray cans for cleaning barbecues and ovens), stain removers, anti-rust products, powder detergents or sponges with abrasive surfaces: these may scratch the surface beyond repair.

! Never use steam cleaners or pressure cleaners on the appliance.

- It is usually sufficient simply to wash the hob using a damp sponge and dry it with absorbent kitchen towel.
- If the hob is particularly dirty, rub it with a special glass ceramic cleaning product, then rinse well and dry thoroughly.
- To remove more stubborn dirt, use a suitable scraper. Remove spills as soon as possible, without waiting for the appliance to cool, to avoid residues forming crusty deposits. You can achieve excellent results by using a rust-proof steel wire sponge - specifically designed for glass ceramic surfaces - soaked in soapy water.
- If any plastic or sugary substances are accidentally melted on the hob, remove them immediately with the scraper, while the surface is still hot.
- Once it is clean, the hob may be treated with a special protective maintenance product: the invisible film left by this product protects the surface from drips during cooking. This maintenance task should be carried out

while the appliance is warm (not hot) or cold.

- Always remember to rinse the appliance well with clean water and dry it thoroughly: residues can become encrusted during subsequent cooking processes.

Stainless steel frame (only in models with outer frame)  
Stainless steel can be marked by hard water which has been left on the surface for a long time, or by cleaning products containing phosphorus.

After cleaning, it is advisable to rinse the surface well and dry it thoroughly. If water is spilt on the surface, dry it quickly and thoroughly.

! Some hobs have an aluminium frame which is similar to stainless steel. Do not use any cleaning or degreasing products which are not suitable for use with aluminium.

## Disassembling the hob

If it is necessary to disassemble the hob:

1. Loosen the screws fixing the alignment springs on each side.
2. Loosen the screws holding the fixing hooks in each corner.
3. Take the hob out of its installation cavity.

! Do not attempt to repair the appliance yourself. If the appliance breaks down, contact a Service Centre.

# Technical Specifications

Customer Helpline 0345 257 7271

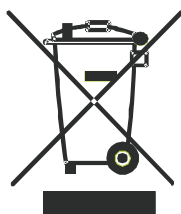
Model/Item	BPCH60B
Power supply	(230)V~
Maximum working current	26
Maximum power	6000 Watt
Size(H x W x D)	41x590x520 mm
Cut-Out Dimensions(W x D)	<b>550x480 mm</b>
Net weight	9,5 kg.

We apologise for any inconvenience caused by minor inconsistencies in these instructions that may occur as a result of product improvements and development.



We apologise for any inconvenience caused by any minor inconsistencies in these instructions , which may occur as a result of product improvemenst and development.

## Disposal information



The symbol on the product or on its packaging indicates that this product may not be treated as household waste. Instead it shall be handed over to the applicable collection point for the recycling of electrical and electronic equipment.

By ensuring this product is disposed of correctly, you will help prevent potential negative consequences for the environment and human health, which could otherwise be caused by inappropriate waste handling of this product. For more detailed information about recycling of this product, please contact your local city office, your household waste disposal service or the shop where you purchased the product.

# Guarantee



## Product Guarantee

This product is guaranteed against manufacturing defects for a period of



This product is guaranteed for twelve months from the date of original purchase. Any defect that arises due to faulty materials or workmanship will either be replaced, refunded or repaired free of charge where possible during this period by the dealer from whom you purchased the unit.

The guarantee is subject to the following provisions:

- The guarantee does not cover accidental damage, misuse, cabinet parts, knobs or consumable items.
- The product must be correctly installed and operated in accordance with the instructions contained in this manual.
- It must be used solely for domestic purpose.
- The guarantee will be rendered invalid if the product is re-sold or has been damaged by inexpert repair.
- Specifications are subject to change without notice.
- The manufacturer disclaims any liability for the incidental or consequential damages.
- The guarantee is in addition to, and does not diminish your statutory or legal rights.
- In the event of a problem with the product with in the guarantee period call the Customer Helpline: 0345 257 7271.

Guarantor: Argos Ltd  
489 - 499 Avebury Boulevard  
Central Milton Keynes  
MK9 2NW

52166494 04/15