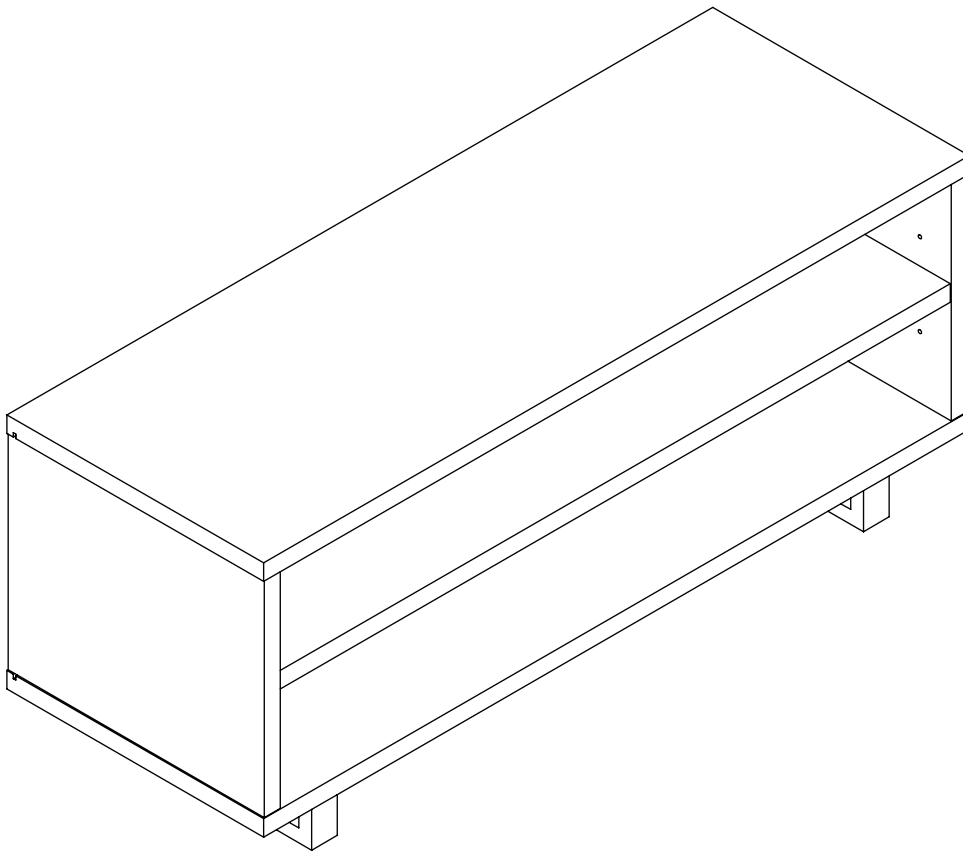


# Loop leg TV Unit

Assembly Instructions - Please keep for future reference

482/8893



## Dimensions

Width - 1100 mm  
Depth - 400 mm  
Height - 450 mm

**Important - Please read these instructions fully before starting assembly**

If you need help or have damaged or missing parts, call the

**Customer Helpline: 0345 6400 800**



## Safety and Care Advice

**Important – Please read these instructions fully before starting assembly**

Check you have all the components and tools listed on pages 2 and 3.

Remove all fittings from the plastic bags and separate them into their groups.

Keep children and animals away from the work area, small parts could choke if swallowed. Make sure you have enough space to layout the parts before starting.

Assemble the item as close to its final position (in the same room) as possible.

Assemble on a soft level surface to avoid damaging the unit or your floor.

Assembly requires 2 people.

Keep this instructions for future use.

Do not stand or put excessive weight on the product, this could cause damage.



We do not recommend the use of power drill/drivers for inserting screws,

as this could damage the unit. Only use hand screwdrivers and Allen keys.

Dispose of all packaging carefully and responsibly.

## Care and maintenance

Only clean using a damp cloth and mild detergent, do not use bleach or abrasive cleaners.

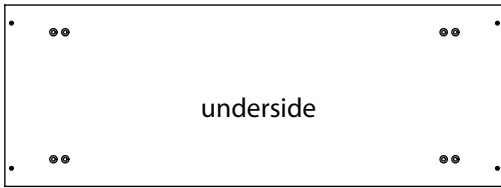
From time to time check that there are no loose screws on this unit.

This product should not be discarded with household waste. Take to your local authority waste disposal centre.

# Components - Parts

If you have damaged or missing components.  
call the **Customer Helpline** : 0345 6400 800

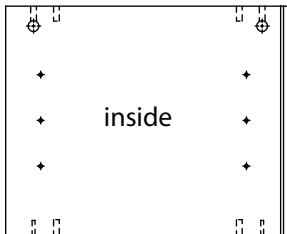
Please check you have all the parts listed below



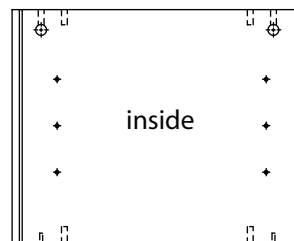
**1** Base panel x 1  
(1100\*400\*25mm)



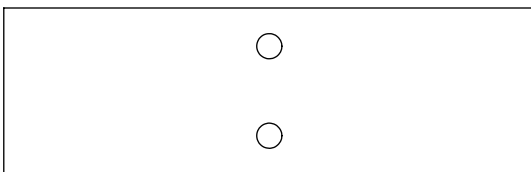
**2** Leg x 2  
(350\*80\*40mm)



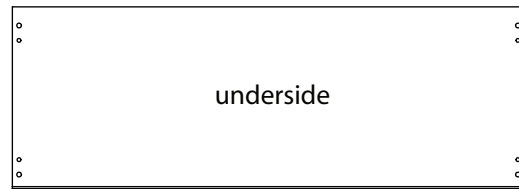
**3** Side panel (left) x 1  
(320\*399\*25mm)



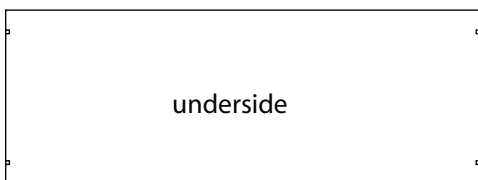
**4** Side panel (right) x 1  
(320\*399\*x25mm)



**5** Back panel x 1  
(1056\*330\*3mm)



**6** Top x 1  
(1100\*400\*25mm)




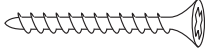

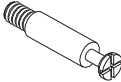

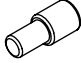


**7** Shelf x 1  
(1045\*384\*25mm)

# Components - Fittings

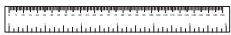
If you have damaged or missing components, call the **Customer Helpline: 0345 6400 800**

Please check you have all the fittings listed below

**Note:** The quantities below are the correct amount to complete the assembly. In some cases more fittings may be supplied than are required.

<p><b>A</b></p>  <p>16mm M6 Bolt x 8</p>	<p><b>B</b></p>  <p>42mm Wood screw x 4</p>	<p><b>C</b></p>  <p>Wooden dowel x 8</p>
<p><b>D</b></p>  <p>Metal dowel x 4</p>	<p><b>E</b></p>  <p>Locking nut x 4</p>	<p><b>F</b></p>  <p>Shelf support pin x 4</p>
<p><b>G</b></p>  <p>Sticker x 4</p>	<p><b>H</b></p>  <p>4mm Allen key x 1</p>	

## Tools required

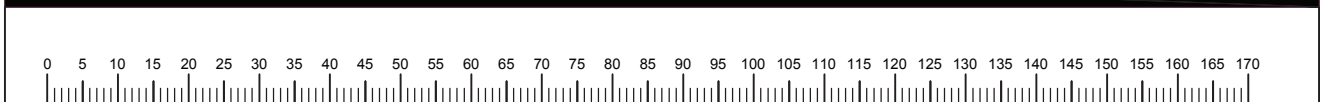


Ruler/tape measure



Phillips screwdriver  
(Not supplied)

## Ruler - Use this ruler to help correctly identify the screws



# Assembly Instructions

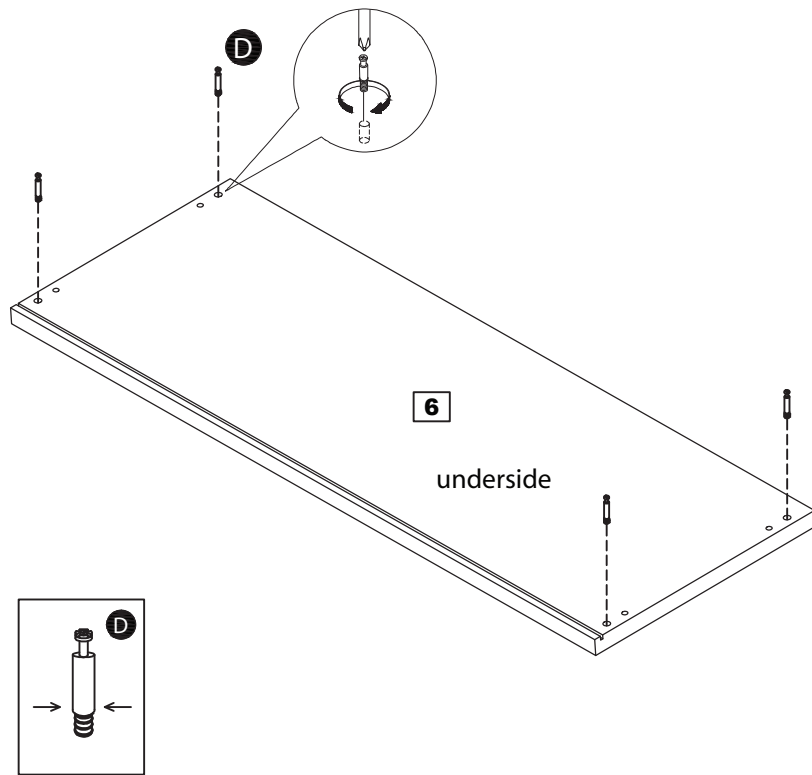
## Step 1

### Preparing top

Carefully place top **6** upside down on the floor with the fixing holes facing up.

Screw metal dowels **D** into top **6**.

**Note :** Screw dowels **D** as far as shown. Do not over tighten.

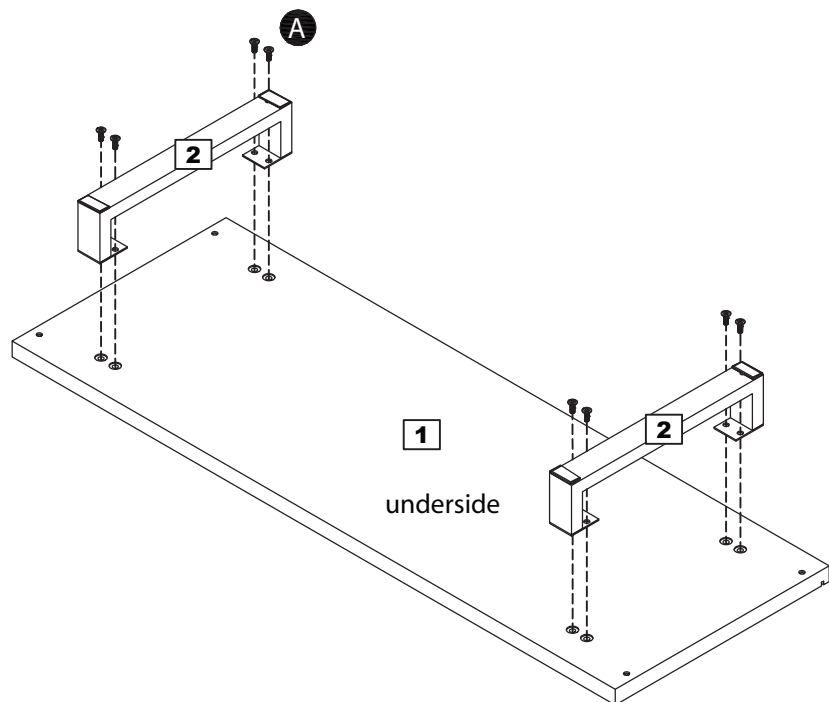


## Step 2

### Assembling legs

Carefully place base panel **1** upside down on the floor with the fixing holes facing up.

Assemble legs **2** to base panel **1** using screws **A**.



# Assembly Instructions

## Step 3

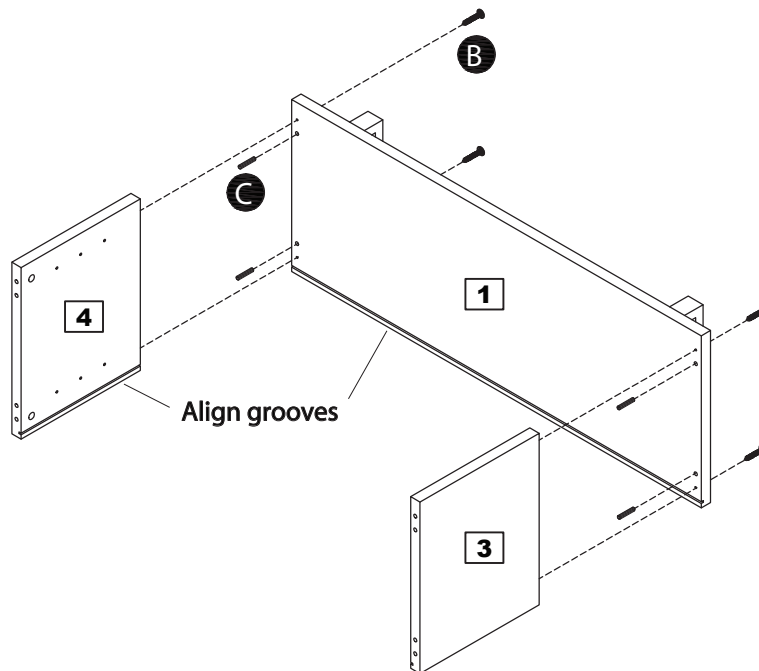
### Attaching sides

Carefully turn base panel **1** onto it's side as shown.

Fit wood dowels **C** into the holes in base panel **1** as shown.

Locate side panels **3** and **4** into position and secure using screws **B**.

**Note :** Ensure the grooves in side panels **3** and **4** are correctly aligned with the groove in base panel **1**.

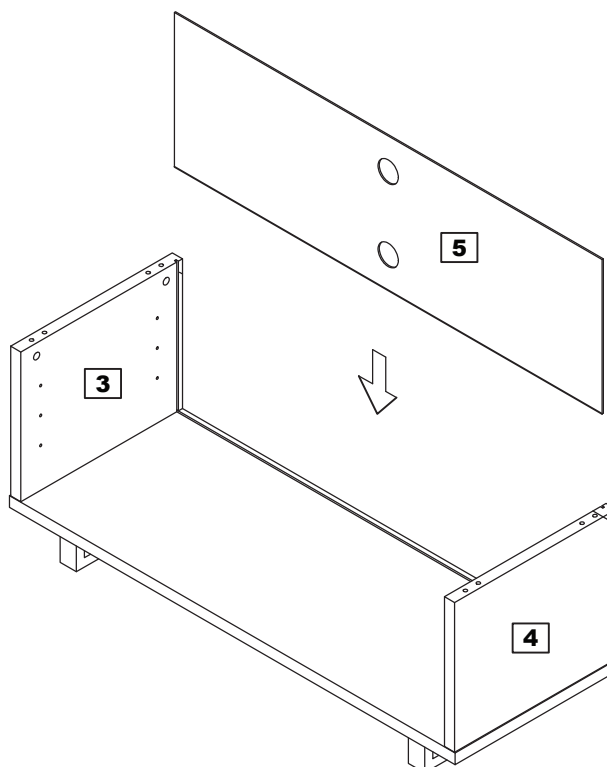


## Step 4

### Fitting back panel

Turn the unit upright.

Carefully slide back panel **5** into the grooves as shown.



# Assembly Instructions

## Step 5

### Assembling top

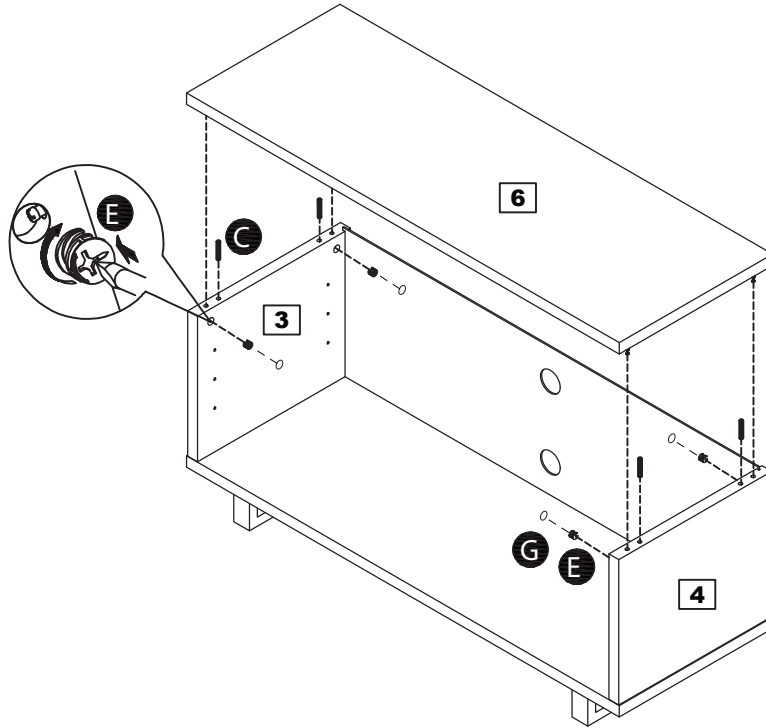
Fit wood dowels **C** into the top of side panels **3** and **4**.

Carefully locate top **6** into position.

Insert locking nuts **E** into the holes in side panels **3** and **4**.

Turn locking nuts **E** clockwise to secure.

Stickers **G** can be used to cover the fixing holes.

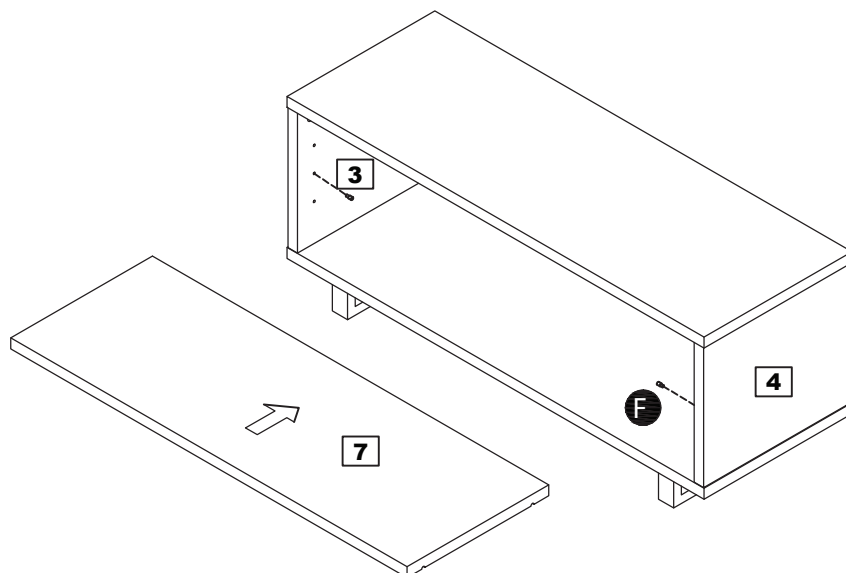


## Step 6

### Locating shelf

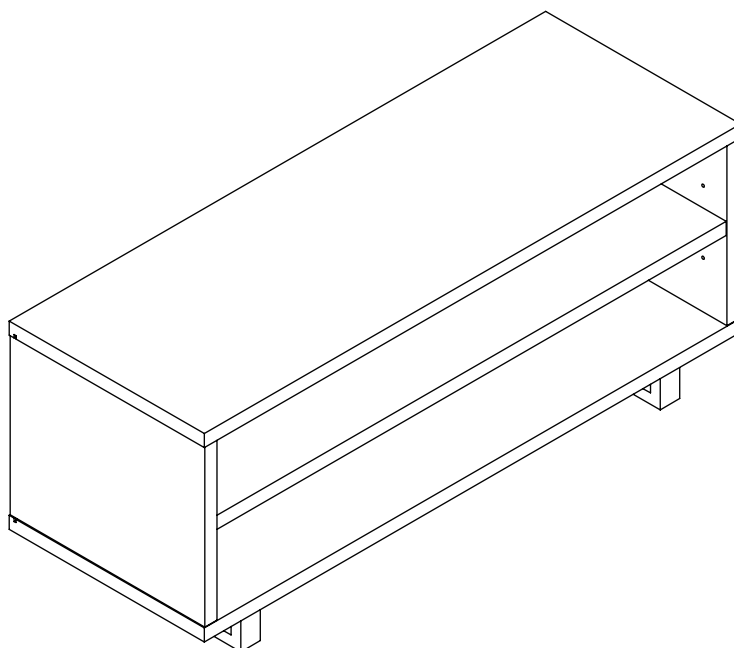
Insert shelf support pins **F** at the desired height.

Carefully locate shelf **7** into position.



# Assembly Instructions

## Step 7



**Assembly is complete.**

If you need help or have damaged or missing parts, call the **Customer Helpline: 0345 6400 800**  
Home Retail Group, 489-499 Avebury Boulevard, Saxon Gate West, Central Milton Keynes, MK9 2NW