

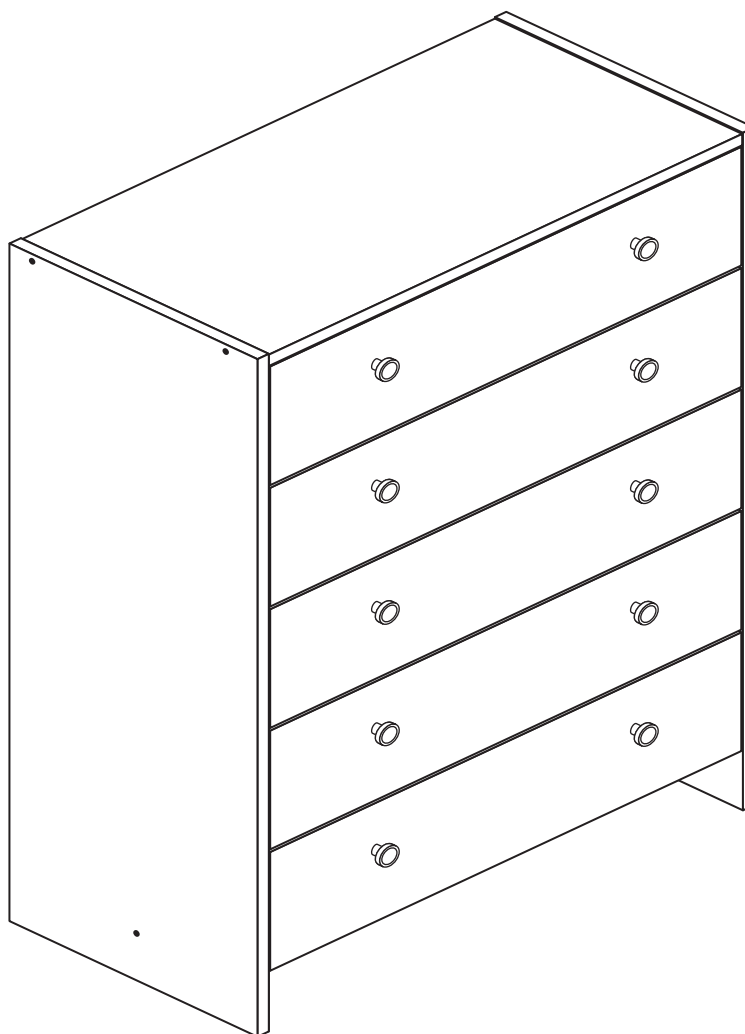
# Seville - 5 Drawer Chest

Assembly Instructions - Please keep for future reference

184/9198

145/0862

184/8319



## Dimensions

Width - 66cm

Depth - 33cm

Height - 91cm



**MADE IN  
BRITAIN**

**Important** - Please read these instructions fully before starting assembly

If you need help or have damaged or missing parts, call the **Customer Helpline: 0870 112 1928** or email: [Help@ClickSpares.co.uk](mailto:Help@ClickSpares.co.uk) (quoting your original order number)



# Safety and Care Advice

**Important - Please read these instructions fully before starting assembly**

- **Warning:** This unit weighs approximately 21kgs. Please lift with care.

- Check you have all the components and tools listed on pages 2 and 3.

- Remove all fittings from the plastic bags and separate them into their groups.

- Keep children and animals away from the work area, small parts could choke if swallowed.

- Parts of the assembly will be easier with 2 people.

- Make sure you have enough space to layout the parts before starting.

- Do not stand or put weight on the product, this could cause damage.

- Assemble the item as close to its final position (in the same room) as possible.

- Assemble on a soft level surface to avoid damaging the unit or your floor (use opened out unit carton).



- We do not recommend the use of power drill/drivers **for inserting screws**, as this could damage the unit. Only use hand screwdrivers.

- **Safety note:** It is recommended that this unit is secured to a wall using the overbalance protector kit supplied or, an alternative fixing method of your choice.

- Dispose of all packaging carefully and responsibly.

## Care and maintenance

- Only clean using a damp cloth and mild detergent, do not use bleach or abrasive cleaners.

- From time to time check that there are no loose screws on this unit.

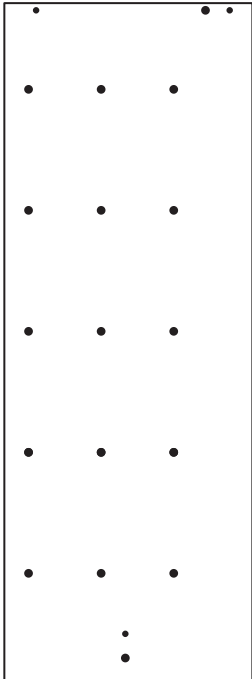
- This product should not be discarded with household waste. Take to your local authority waste disposal centre.

**Note:** If required the next page can be cut out and used as reference throughout the assembly. Keep this page with these instructions for future reference.

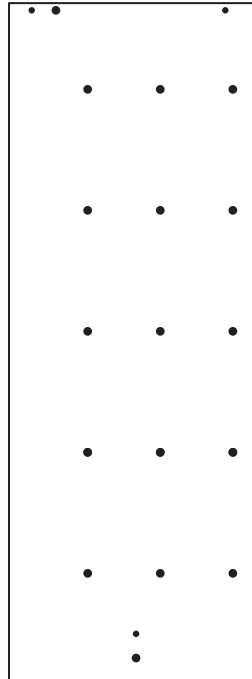
# Components - Panels

If you have damaged or missing components, call the **Customer Helpline: 0870 112 1928** or email: **Help@ClickSpares.co.uk** (quoting your original order number and the reference numbers below)

Please check you have all the panels listed below



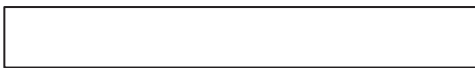
**1** Left Side (D2503A)  
(896 x 328mm)



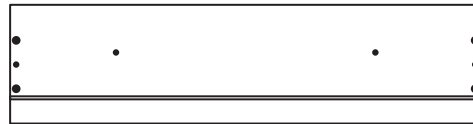
**2** Right Side (D2504A)  
(896 x 328mm)



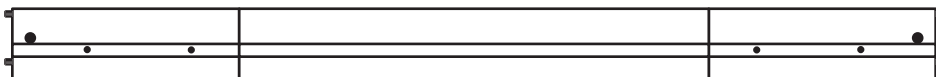
**3** Top (D2488A)  
(627 x 327mm)



**4** Plinth (D2491B)  
(627 x 80mm)



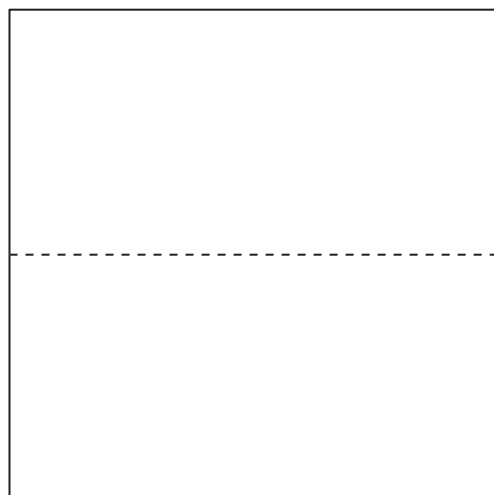
**5** Drawer Front (D2492A)  
(623 x 157mm) x 5



**6** Drawer Wrap (WSAV)  
(1221 x 95mm) x 5



**7** Drawer Base (TSAV)  
(299 x 608mm) x 5



**8** Back (X653-648)  
(653 x 648mm)

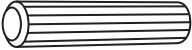
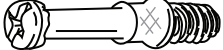



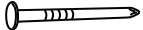

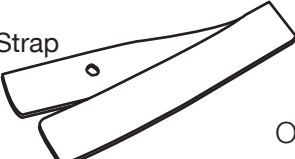


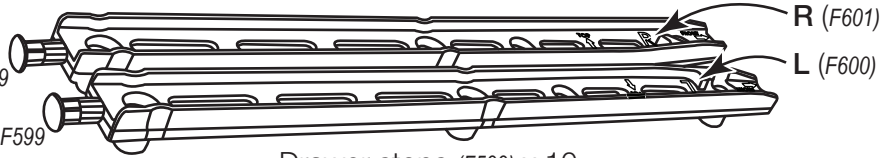


# Components - Fittings

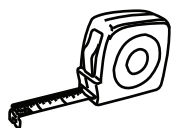
If you have damaged or missing components, call the **Customer Helpline: 0870 112 1928** or **email: Help@ClickSpares.co.uk** (quoting your original order number and the reference numbers below)

Please check you have all the fittings listed below

**Note:** The quantities below are the correct amount to complete the assembly. In some cases more fittings may be supplied than are required.

<p><b>A</b> </p> <p>Wooden dowel (F22) x 4</p>	<p><b>B</b> </p> <p>Metal dowel (F901) x 10</p>	<p><b>C</b> </p> <p>Small locking nut (F3) x 10</p>
<p><b>D</b> </p> <p>40mm Screw (F910) x 6</p>	<p><b>E</b> </p> <p>25mm Screw (F95) x 10</p>	<p><b>F</b> </p> <p>Nail (F51) x 15</p>
<p><b>G</b> </p> <p>Handle (F300) x 10</p>	<p><b>H</b>   Screw  Washer x 2</p> <p>Overbalance protector kit (F269) x 1</p>	
<p><b>I</b> </p> <p>Drawer stops (F599) x 10 Runners (F600) x 5 and (F601) x 5</p>		

## Tools required



Rule



Cross-head screwdriver



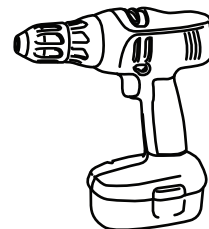
Scissors



Hammer

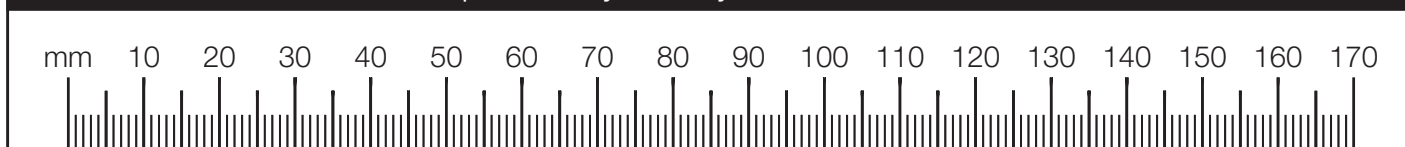


Eye protection (when using a hammer or drill)



Electric drill (do not use for fitting screws)

## Ruler - Use this ruler to help correctly identify the screws



# Assembly Instructions

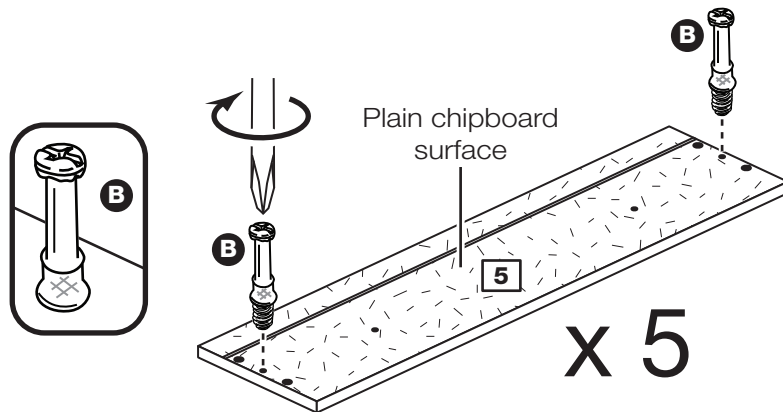
If you have damaged or missing components, call the Customer Helpline: 0870 112 1928 or email: [Help@ClickSpares.co.uk](mailto:Help@ClickSpares.co.uk) (quoting your original order number and the reference numbers below)

## Step 1

### Prepare the drawer fronts

Screw 2 metal dowels **B** into each of the drawer fronts **5**.

**Note:** Tighten the metal dowels up fully against the panel.

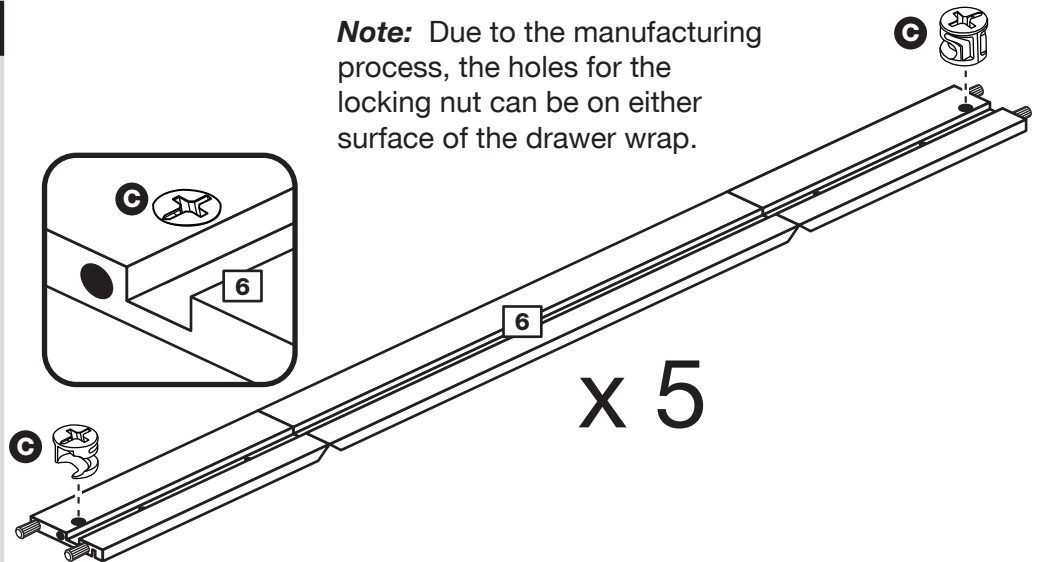


## Step 2

### Prepare the drawer wraps

Insert 2 small locking nuts **C** into each of the drawer wraps **6**.

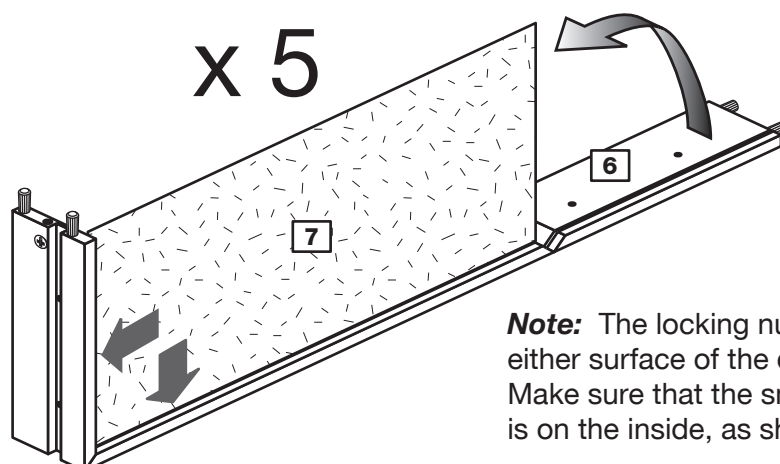
**Note:** The arrow on the locking nut **must** point towards the hole in the edge of the panel.



## Step 3

### Fit the drawer base

Place the drawer base **7** into the narrow slot on the drawer wrap **6**. Fold the wrap around the drawer base.



**Note:** The locking nuts can be on either surface of the drawer sides. Make sure that the small groove is on the inside, as shown.

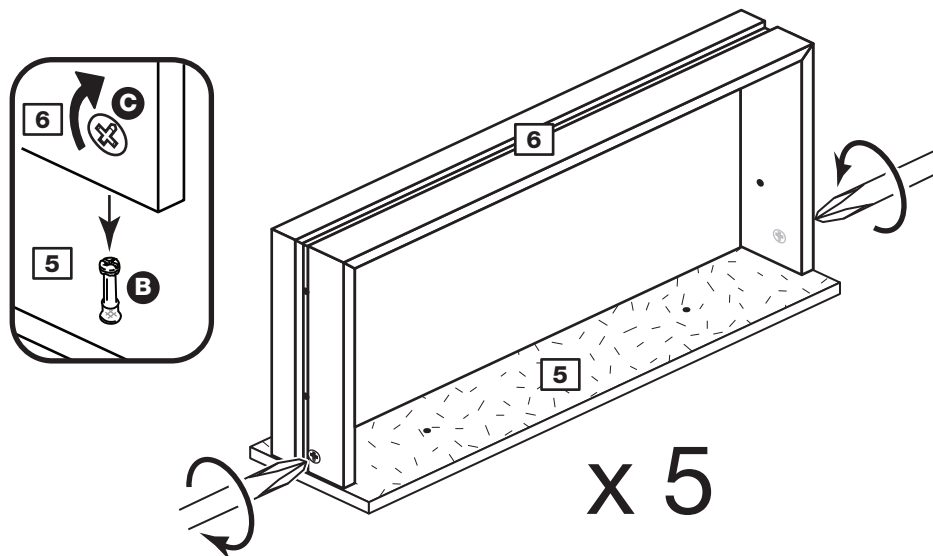
# Assembly Instructions

## Step 4

### Fit the drawer front

Turn drawer wrap **6** assembly over and push it onto the back of the drawer front **5**.

**Note:** Turn the locking nuts **C** clockwise to secure the panels - more than 1/2 a turn.

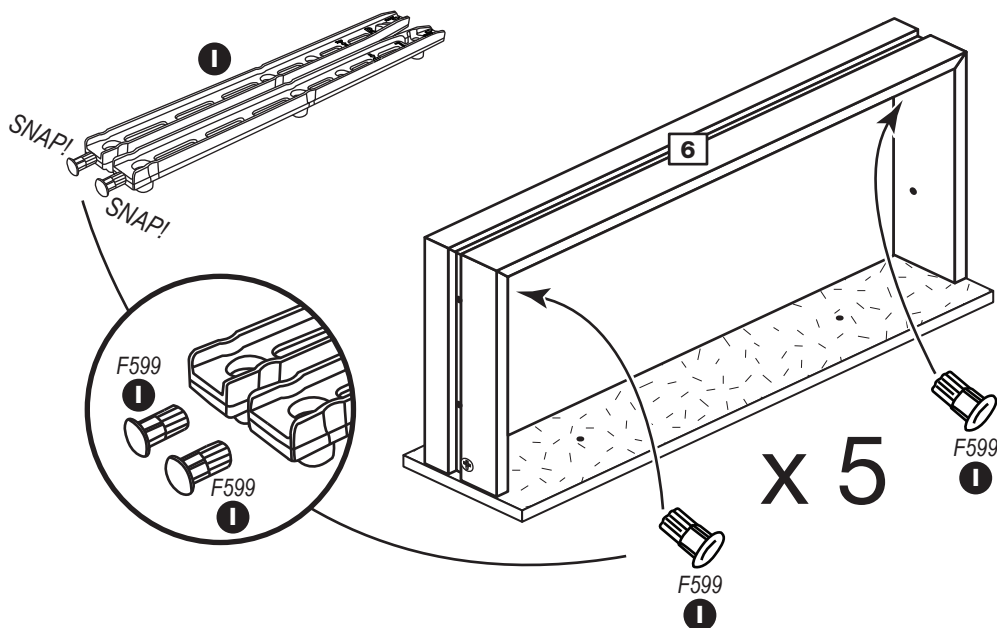


## Step 5

### Attach the drawer stops

Carefully break off 2 drawer stops (F599) from a set of drawer runners **1**.

Push the drawer stops fully through the drawer wrap **6** from the inside.

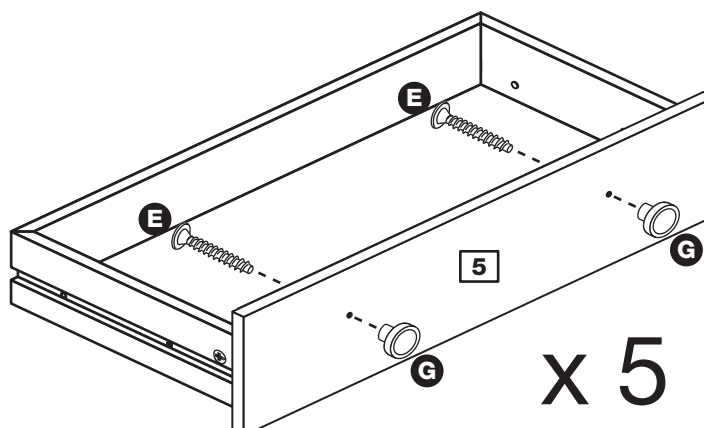


## Step 6

### Attach the handles

Attach 2 handles **G** to each of the 5 drawer fronts **5** using 2 screws **E**.

**Note:** Do not overtighten the screws.



# Assembly Instructions

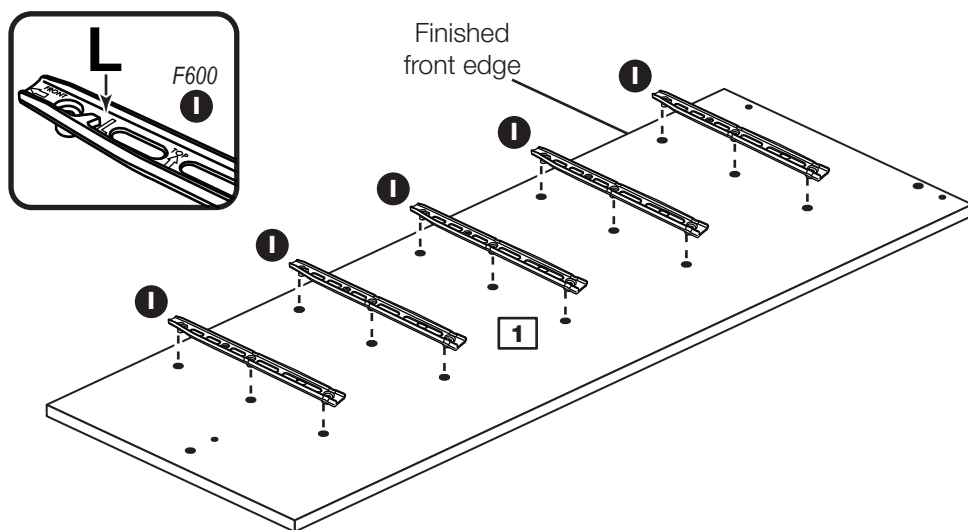
## Step 7

### Prepare the left side

Separate the runners ①.

Push fit 5 left runners ① marked 'L' into the left side ①.

**Note:** Runners must be fitted flat against the panel. If necessary gently tap into final position.

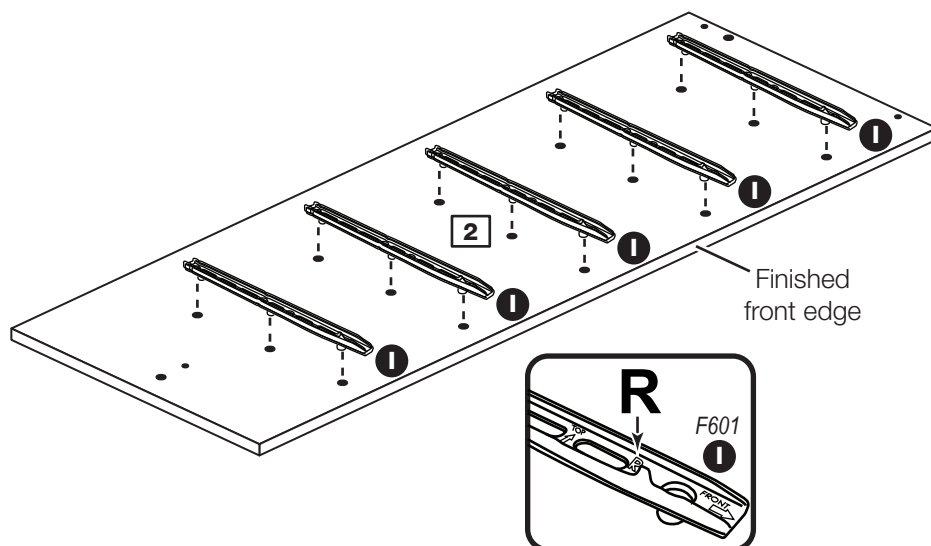


## Step 8

### Prepare the right side

Push fit 5 right runners ① marked 'R' into the right side ②.

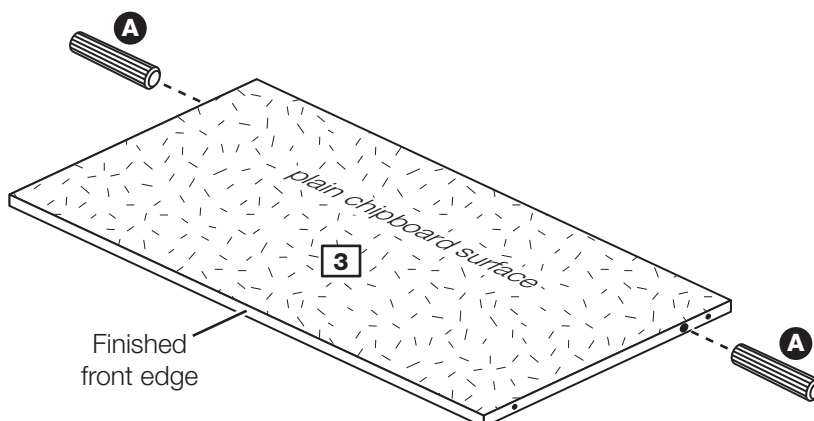
**Note:** Runners must be fitted flat against the panel. If necessary gently tap into final position.



## Step 9

### Prepare the top

Tap 2 wooden dowels ① into the top ③.

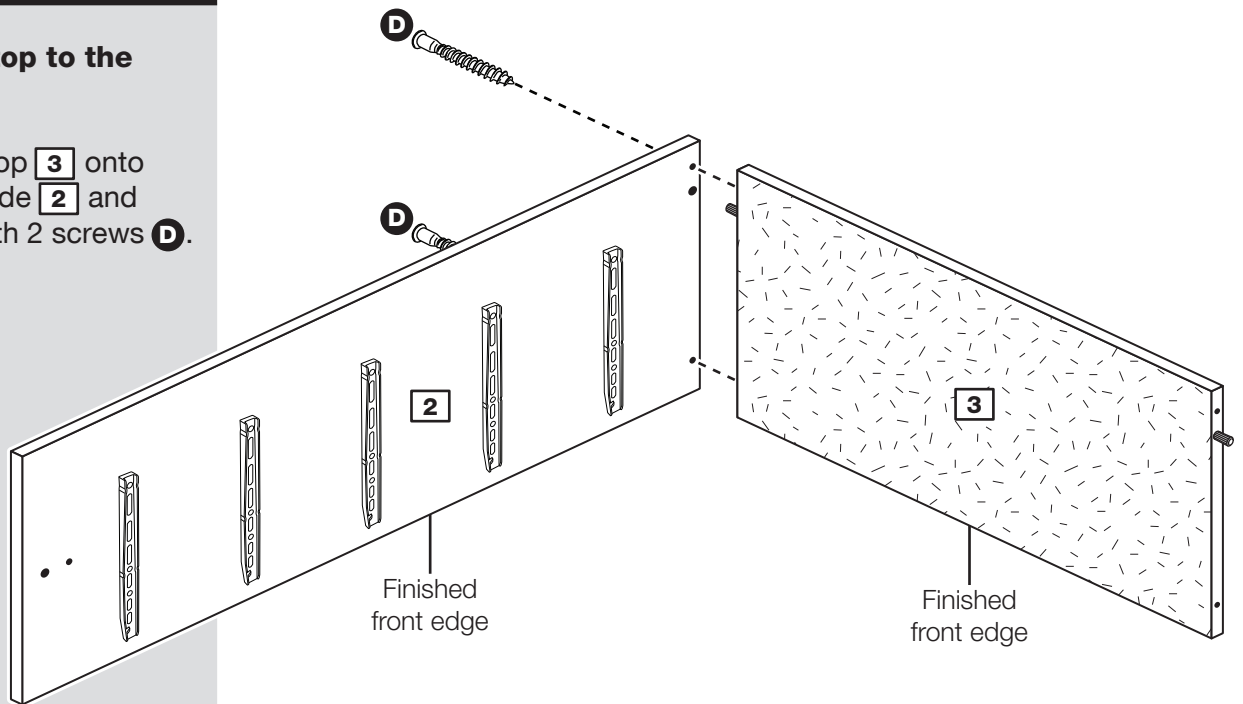


# Assembly Instructions

## Step 10

### Join the top to the right side

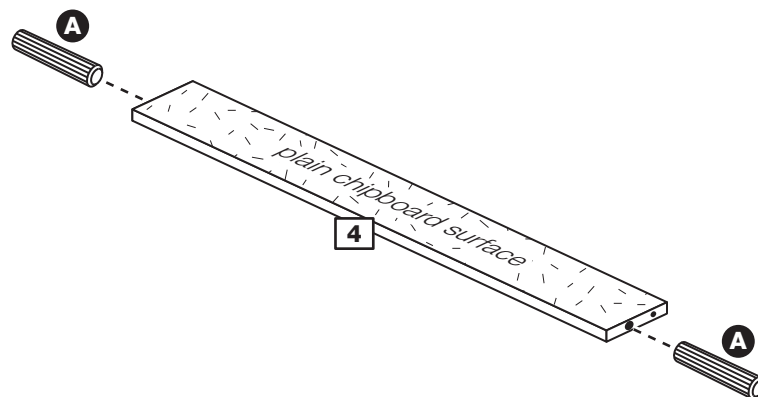
Push the top **3** onto the right side **2** and secure with 2 screws **D**.



## Step 11

### Prepare the plinth

Tap 2 wooden dowels **A** into the plinth **4**.



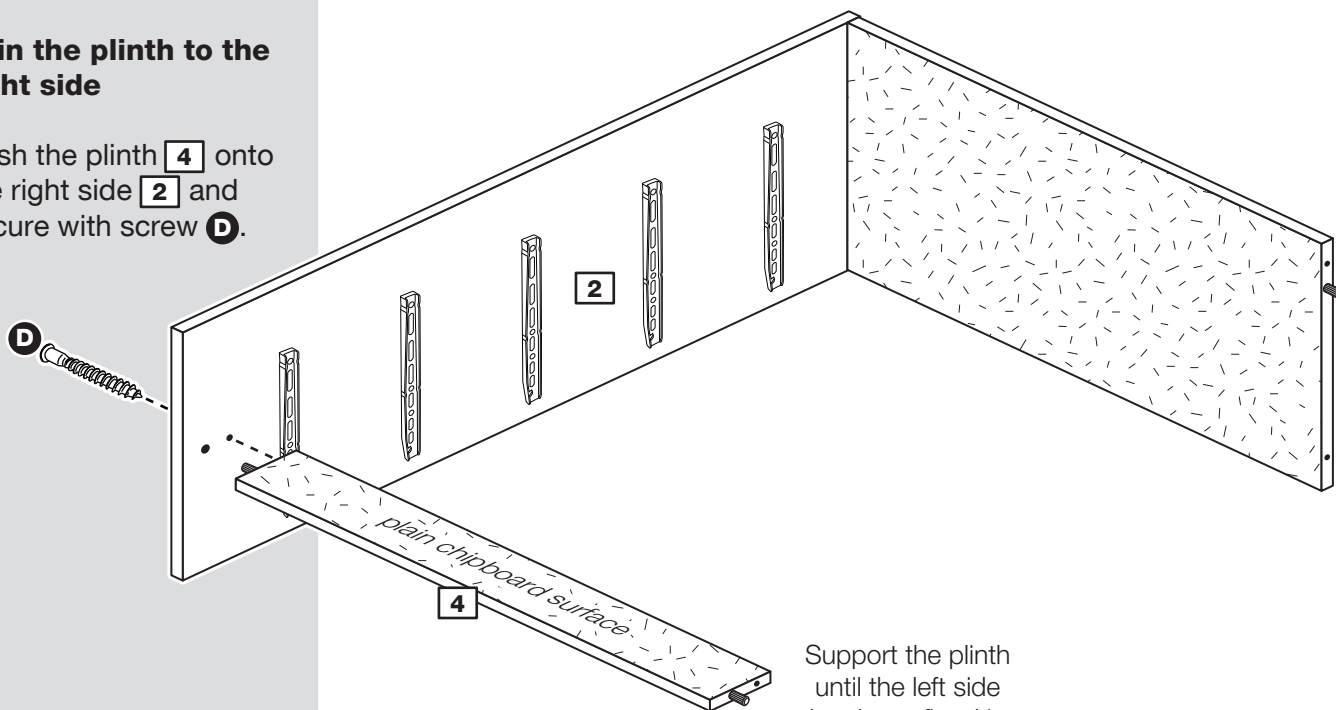


# Assembly Instructions

## Step 12

### Join the plinth to the right side

Push the plinth **4** onto the right side **2** and secure with screw **D**.

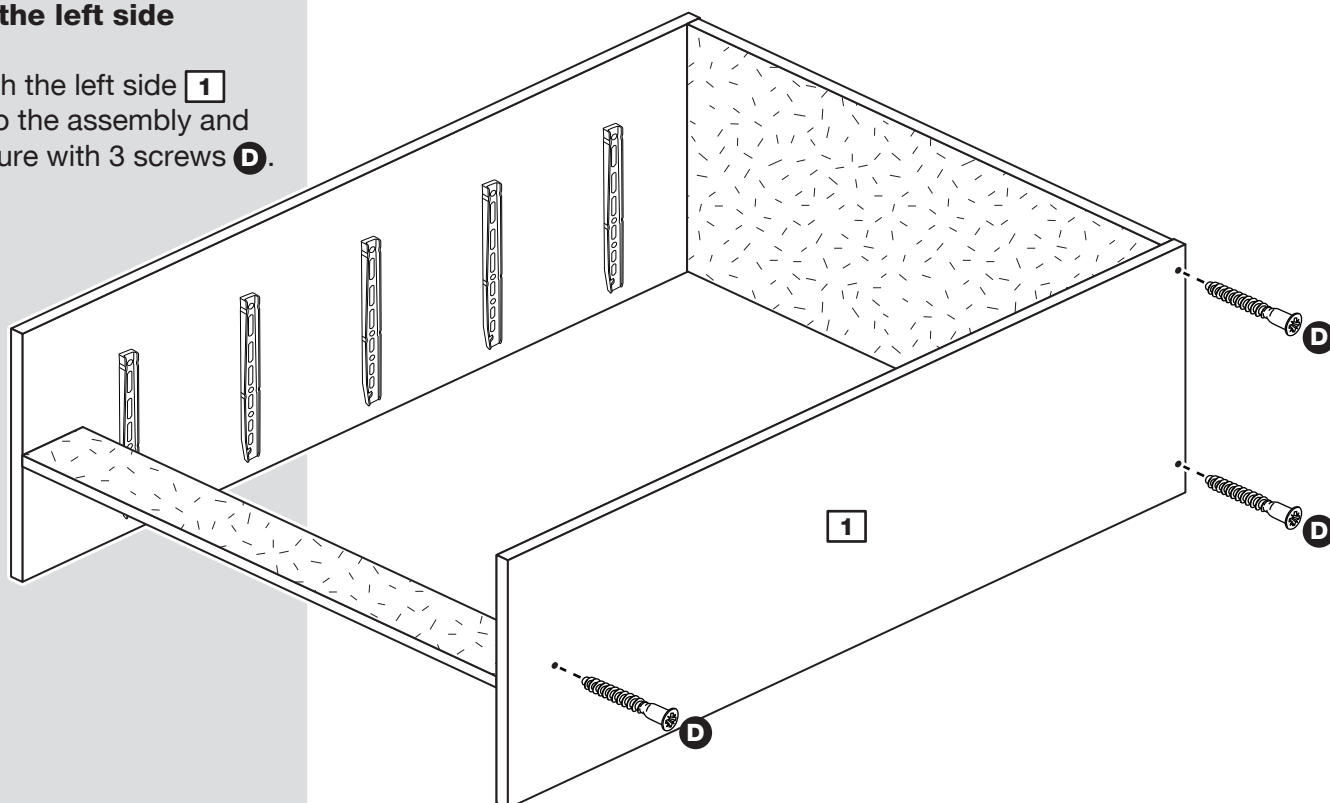


Support the plinth until the left side has been fitted in the next step.

## Step 13

### Fit the left side

Push the left side **1** onto the assembly and secure with 3 screws **D**.



# Assembly Instructions

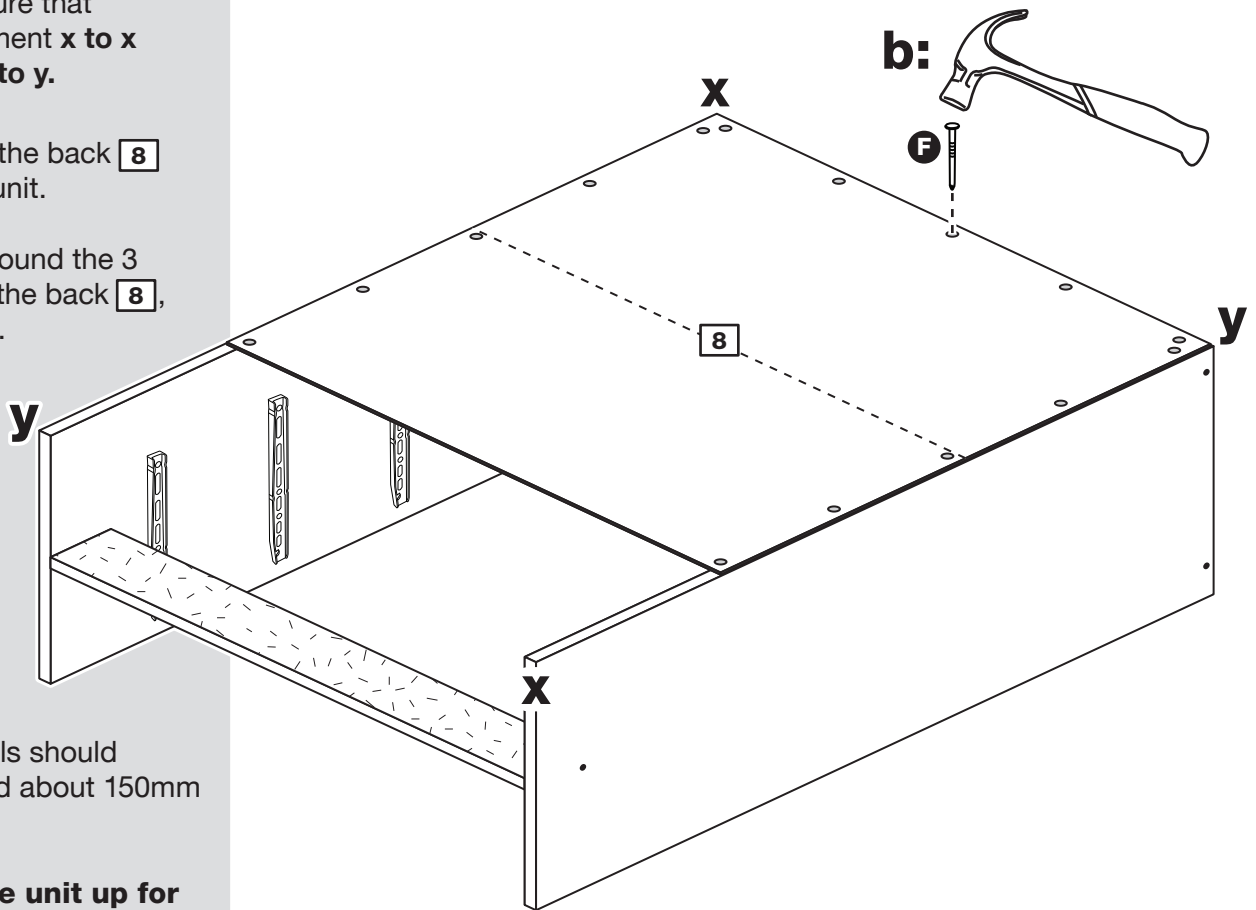
## Step 14

### Fit the back

**a:** Square up the unit by making sure that measurement **x to x** equals **y to y**.

**b:** Place the back **8** onto the unit.

Nail **F** around the 3 edges of the back **8**, as shown.



**Note:** Nails should be spaced about 150mm apart.

**Stand the unit up for the next step.**



**Warning:** The unit is heavy. Lift with care.

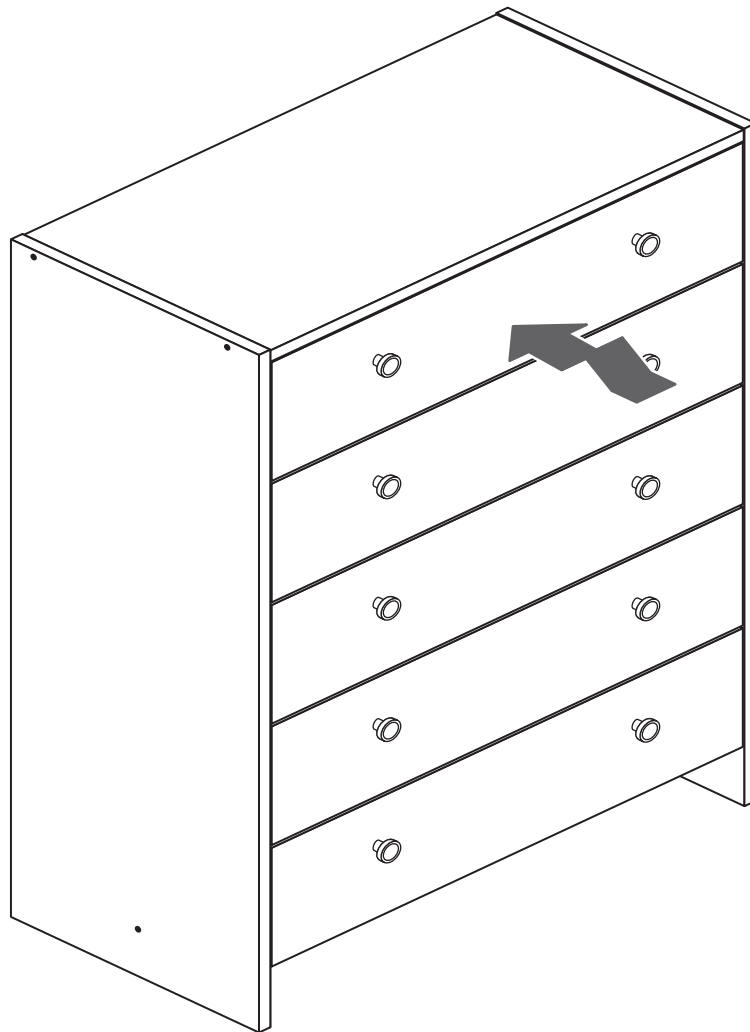
# Assembly Instructions

## Step 15

### Insert the drawers

Lift the front of the drawers whilst inserting to overcome the 'stop' system.

**Note:** To ensure that your drawers run smoothly, spray a small amount of furniture polish into the grooves.



# Assembly Instructions

## Step 16

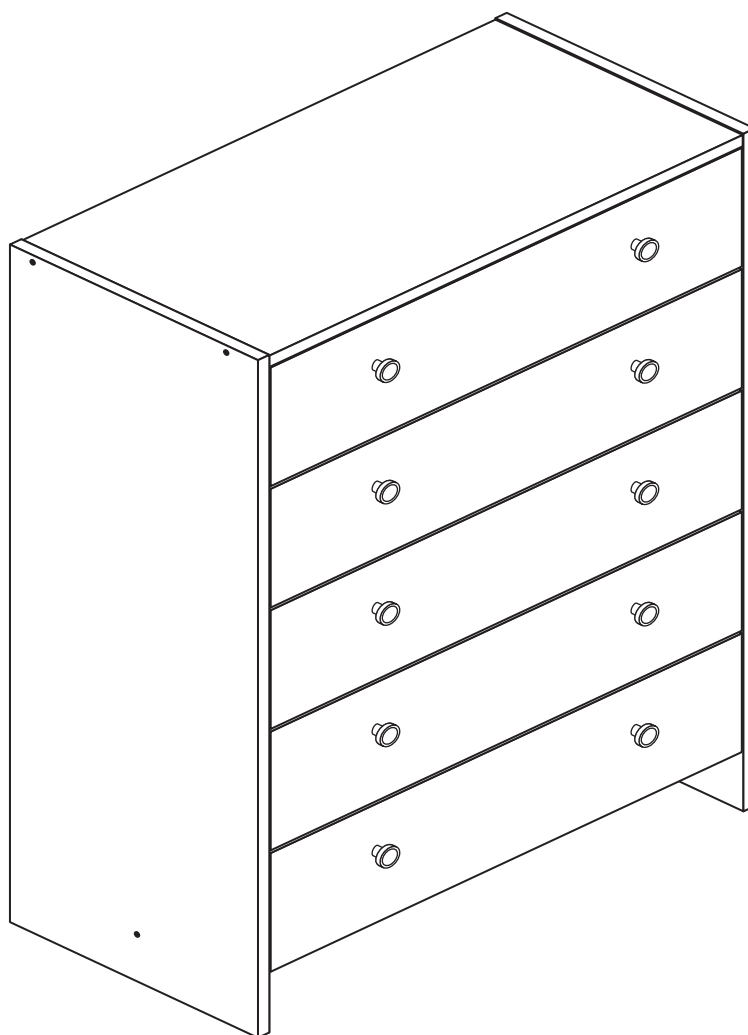
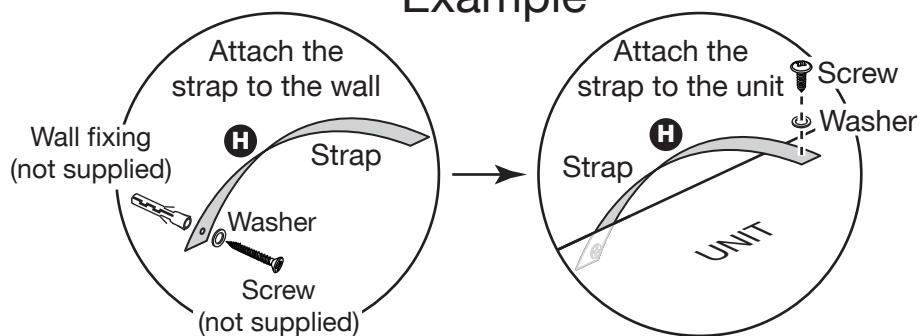
### Fit the overbalance protector kit

To prevent possible overbalancing we recommend that this unit is secured to a suitable wall by fitting of the overbalance protector kit **H** to the unit, or an alternative fixing method of your choice.

Wall fixings are not supplied as they will need to suit the wall type.

**Note:** Take care when drilling the wall that you do not drill into any pipes, wires etc. If in doubt, consult an expert.

### Example



If you need help or have damaged or missing parts, call the **Customer Helpline: 0870 112 1928** or email: **Help@ClickSpares.co.uk** (quoting your original order number and the reference numbers on the component pages)  
Argos Ltd, 489-499 Avebury Boulevard, Central Milton Keynes, MK9 2NW