

canzano 3 drawer dressing table

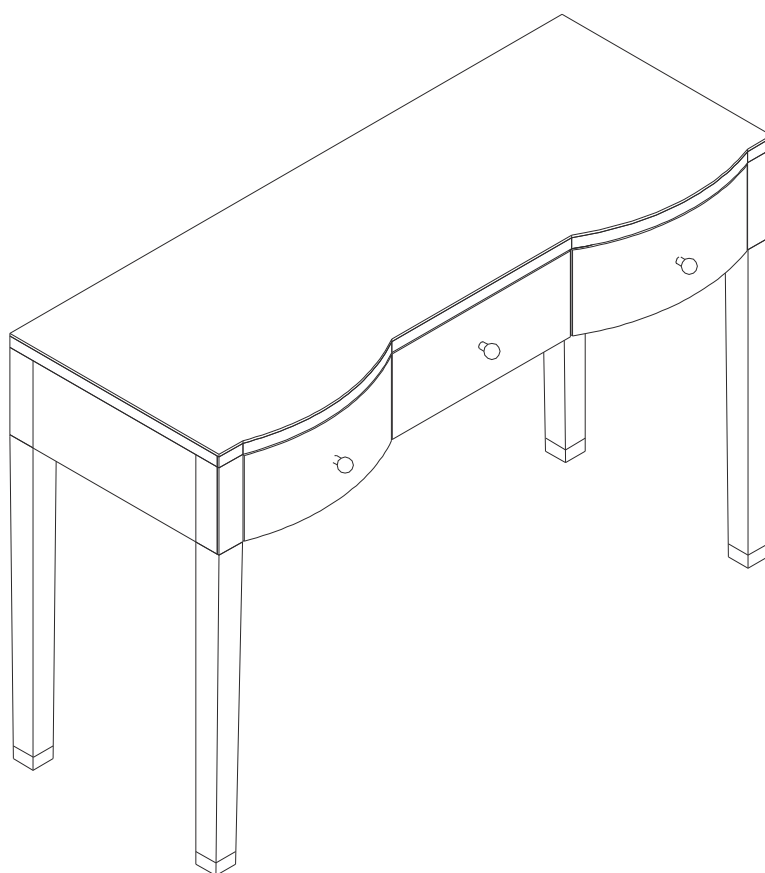
Assembly Instructions—Please keep for future reference

462/4695

482/5054



Heart of House



Dimensions

Width - 122cm
Depth - 49cm
Height - 81.2cm

Important—Please read these instructions fully before starting assembly

If you need help or have damage or missing parts, call the **Customer Helpline:**
Argos = 0345 6400800



Safety and Care Advice

Important – Please read these instructions fully before starting assembly

- Check you have all the components and tools listed on the following pages.
- Remove all fittings from the plastic bags and separate them into their groups.
- Keep children and animals away from the work area, small parts could choke if swallowed.
- Make sure you have enough space to layout the parts before starting.

- During assembly do not stand or put weight on the product, this could cause damage.
- Assemble the item as close to its final position (in the same room) as possible.
- Assemble on a soft level surface to avoid damaging the unit or your floor.
- Parts of the assembly will be easier with 2 people.



- To reduce the likelihood of damaging your product please ensure that your power drill is set on a low torque setting.

Care and maintenance

- Only clean using a damp cloth and mild detergent, do not use bleach or abrasive cleaners.
- From time to time check that there are no loose screws on this unit.
- This product should not be discarded with household waste. Take to your local authority waste disposal centre.

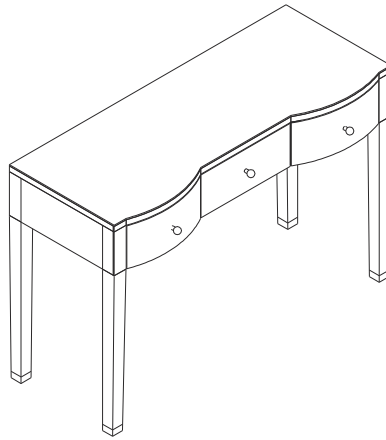
Handy Hints

- Assemble all parts and bolts loosely during assembly, only once the product is complete should you fully tighten the bolts
- Regularly check and ensure that all bolts and fittings are tightened properly.

Components

If you have damaged or missing components, call the
Customer Helpline: Argos=0345 6400800

Please check you have all the parts list below



A
Leg A x 1



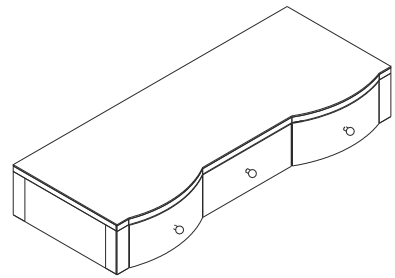
B
Leg B x 1



C
Leg C x 1



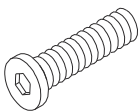
D
Leg D x 1



E
Table top x 1

Components – Fittings

Please check you have all the parts list below



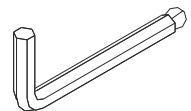
1
39mm Bolt x 8



2
Spring Washer x 8



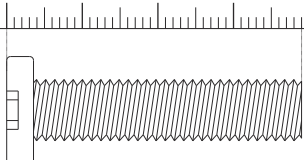
3
Flat Washer x 8



4
Hex Key x 1

Ruler - Use this ruler to help correctly identify the screw

0 5 10 15 20 25 30 35 40 45 50 55 60 65 70 75 80 85 90 95 100 105 110 115 120 125 130 135 140 145 150 155 160 165 170

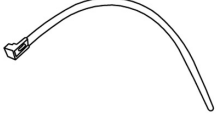
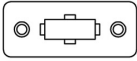


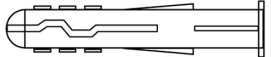


The bolts length is measured from the head to the point (39mm bolt shown)

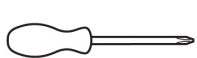
Components - Fittings

Please check you have all the fittings listed below

Note: The quantities below are the correct amount to complete the assembly. In some cases more fittings may be supplied than are required.

<p>A</p>  <p>Strap x 2</p>	<p>B</p>  <p>Bracket x 4</p>	<p>C</p>  <p>Ø3.5 x40 mm Screw x 4</p>	<p>D</p>  <p>Ø3.5 x12 mm Screw x 4</p>	<p>E</p>  <p>Rubber plug x 4</p>
--	--	--	---	--

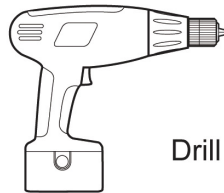
Tools required



Phillips screwdriver
(medium & large)



7mm Suitable drill bit
(for use with wall plug)



Drill



Small
hammer

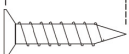


Ruler/tape
measure



Eye protection
(when using a
hammer or glue)

Ruler - Use this ruler to help correctly identify the screws

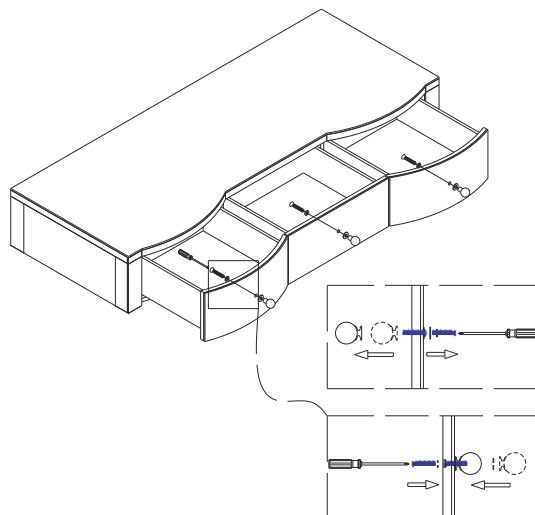


The screws length is measured from the head to the point (16 mm screw shown).

Assembly Instructions

Step 1

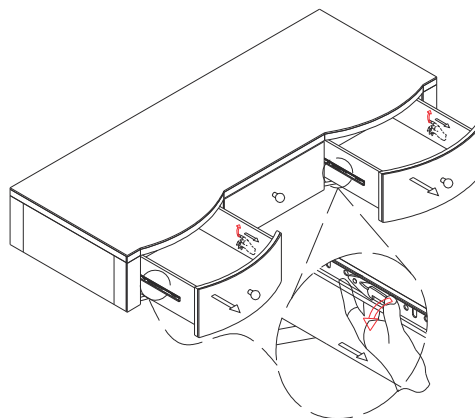
Drawer handle is pre-assembled reversely. Disassemble the handle and re-attach as shown in the figure.



Step 2

Remove Drawers

Extend the runner all the way out. Unlock by pull up the black plastic peg on right and press down the black plastic peg on left.

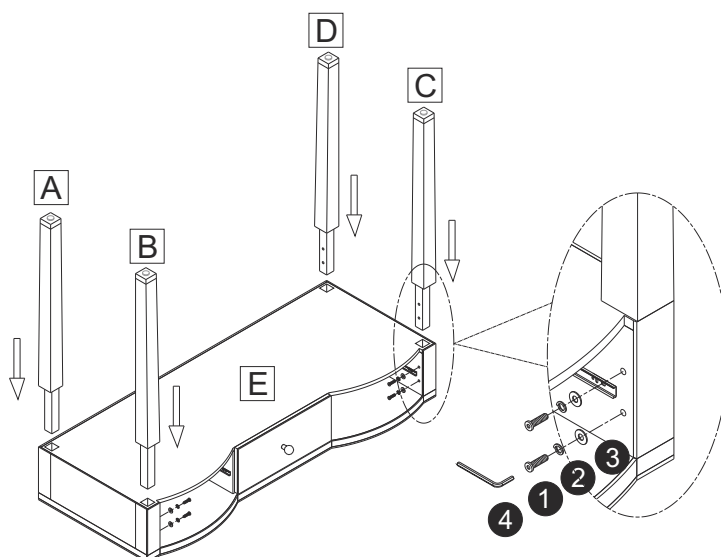


Step 3

Place the table legs **A** **B** **C** **D** into the holes indicated.

Attach bolts **1** and washers **2** **3** to the holes indicated.

To tighten bolts turn to the right using Hex Key **4**.



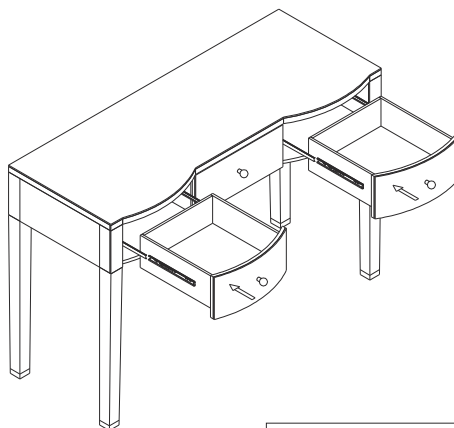
If you need help or have damage or missing parts, call the **Customer Helpline**:
Argos = 0345 6400800

Assembly Instructions

Step 4

Carefully stand the unit upright.

Assemble drawers.



Step 5

Attach the bracket **B** to the back panel of chest with screw **D**.

It is recommended that another bracket **B** is fixed to a wall.

Mark fixing hole on the wall



Warning:
Before drilling, check wall for hidden pipes and cables.

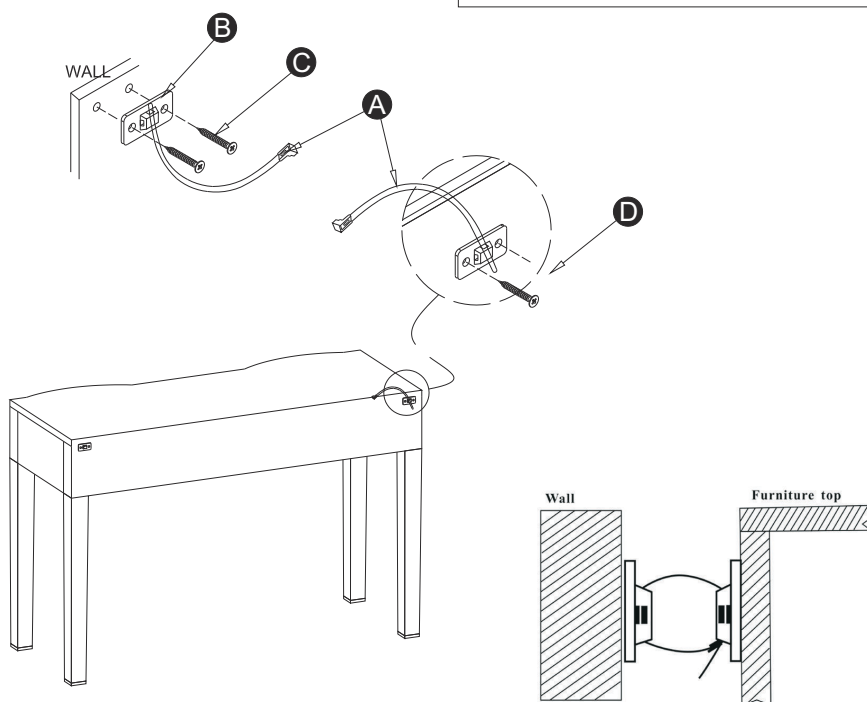
Attach the bracket **B** to the wall using a suitable wall screw/plug system.

With the help of another person move the unit into position.

Secure the two brackets with the strap as shown.

Assembly is complete.

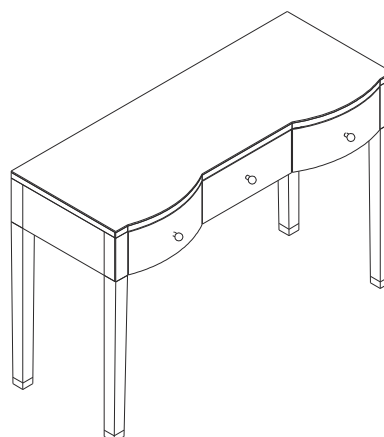
Note: The correct type of wall screws must be used for your wall. Please seek professional advice if in doubt



Step 6

Assembly is complete.

Clean with damp cloth and mild detergent.



If you need help or have damage or missing parts, call the **Customer Helpline:**
Argos = 0345 6400800