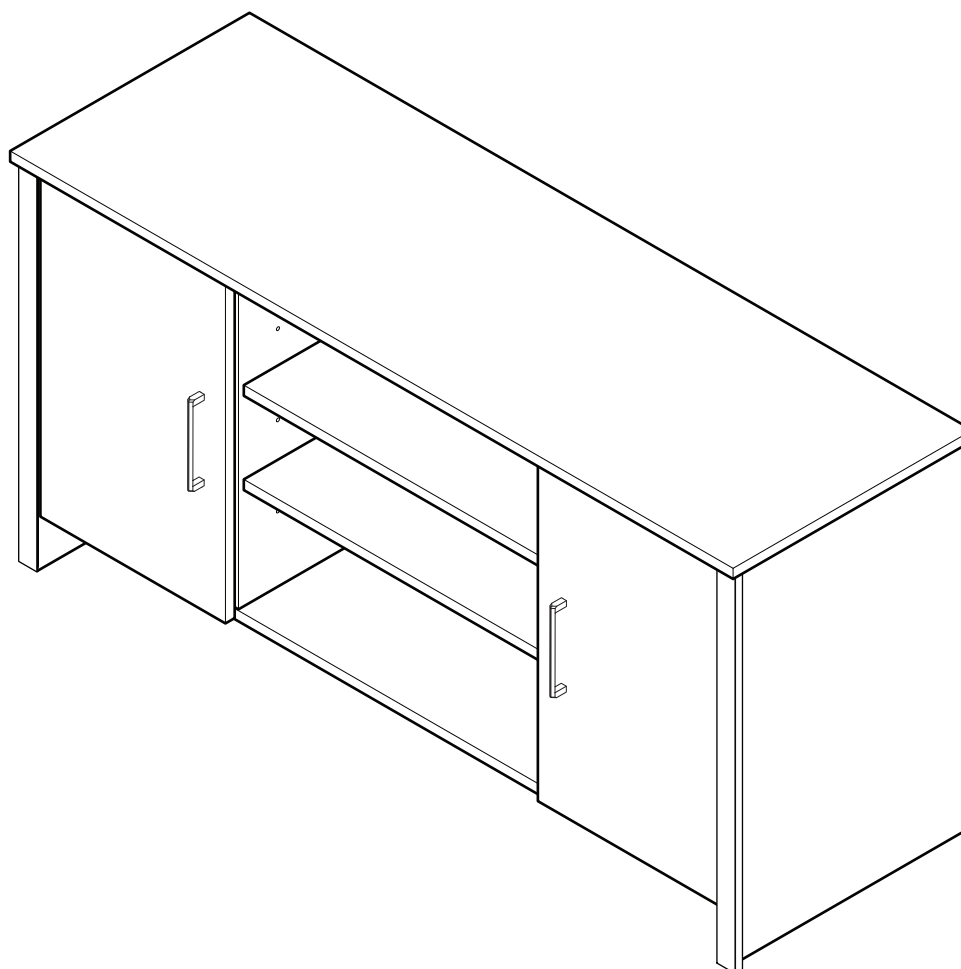


2 Door Media Unit/Low Sideboard

Assembly Instructions - Please keep for future reference

033 xx 6003

482/0437



Dimensions

Width - 117.2cm

Depth - 38.8cm

Height - 57.6cm



**MADE IN
GREAT BRITAIN**

Important - Please read these instructions fully before starting assembly

If you need help or have damaged or missing parts, call the **Customer Helpline: 01709 534123**
Please turn to back page for important information when contacting Customer Helpline.



Safety and Care Advice

Important - Please read these instructions fully before starting assembly

- Check you have all the components and tools listed on pages 2 and 3.
- Remove all fittings from the plastic bags and separate them into their groups.
- Keep children and animals away from the work area, small parts could choke if swallowed.
- Make sure you have enough space to layout the parts before starting.

- Do not stand or put weight on the product, this could cause damage.
- Assemble the item as close to its final position (in the same room) as possible.
- Assemble on a soft level surface to avoid damaging the unit or your floor.
- Parts of the assembly will be easier with 2 people.



• We do not recommend the use of power drill/drivers **for inserting screws**, as this could damage the unit. Only use hand screwdrivers.

• **Do Not dispose of packaging until assembly complete.**

• Dispose of all packaging carefully and responsibly when assembly complete.

Care and maintenance

- To protect the furniture, position the furniture out of direct sunlight and away from direct heat sources such as radiators and fires.
- Do not place the furniture in excessively dry and humid conditions.
- From time to time check that there are no loose screws on this unit.
- Always lift furniture when moving it (do not drag) otherwise the joints may be damaged.

- Do not place hot or cold objects on the surface, always use protective mats to avoid marking the furniture.
- This product should not be discarded with household waste. Take to your local authority waste disposal centre.
- Clean spills up immediately
- Dust surfaces with a soft, dry, lint free cloth.

- More stubborn marks can be removed using a damp (not wet) cloth. Wipe the surface dry immediately using a soft lint free cloth.
- Do not use detergents, abrasive cleaning products or cleaning products that contain ammonia, solvents or silicone as these may damage the surface finish.

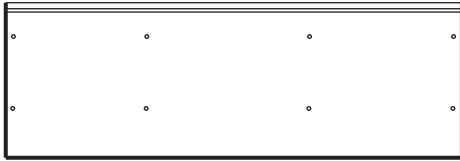
Components - Panels

If you have damaged or missing panels, call the **Customer Helpline: 01709 534123** Please turn to back page for important information when contacting Customer Helpline.

Please check you have all the panels listed below

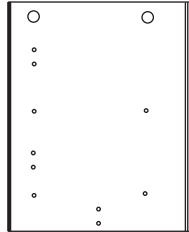


Important - Thick lines indicate finished edges



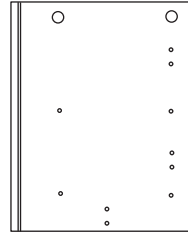
9885

Top
(111.8x38.8cm)



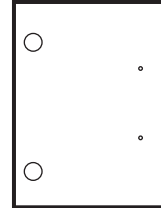
9887

Left End
(50.8x38.2cm)



9888

Right End
(50.8x38.2cm)



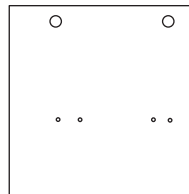
9893

Door x 2
(42.4x27.8cm)



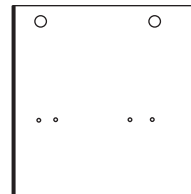
9886

Bottom
(101.2x34.0cm)



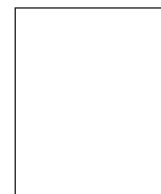
9890

Left Divider
(41.4x34.0cm)



9895

Right Divider
(41.4x34.0cm)



9894

Back x 2
(43.3x28.6cm)



9889

Plinth
(101.2x7.6cm)



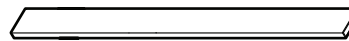
9891

Small Shelf x 2
(26.7x33.8cm)



9892

Large Shelf
(44.5x33.8cm)



684xx5505

Trim x 2
(50.8x5.0 x1.2cm)





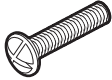

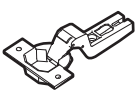

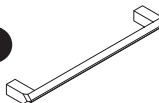
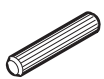


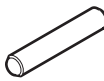


Components - Fittings

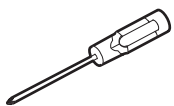
If you have damaged or missing components, call the **Customer Helpline: 01709 534123** Please turn to back page for important information when contacting Customer Helpline.

Please check you have all the fittings listed below

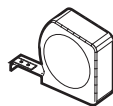
Note: The quantities below are the correct amount to complete the assembly, In some case more fittings may be supplied than are required.

A  Large cam x 16 Code 760001103	B  Metal dowel x 16 Code 760003004	C  Shelf Support x 8 Code 681003001
D  Panel pin x 20 Code 760001012	E  18mm bolt x 4 Code 700002021	F  Panel pin guide x 1 Code 684004501
G  Fully cranked 26mm hinge x 4 Code 652001120	H  Hingeplate x 4 Code 653006000	I  Handle x 2 Code 644003511
J  Wooden dowel x 4 Code 770001006	K  Screw x 8 Code 690001008	L  45mm screw x 4 Code 690001075
M  Shelf Pin x 8 Code 760001137		

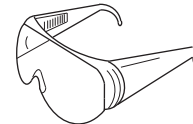
Tools required



Cross headed screwdriver
(medium & large)



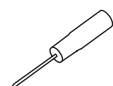
Tape Measure



Eye protection
(when using a hammer)

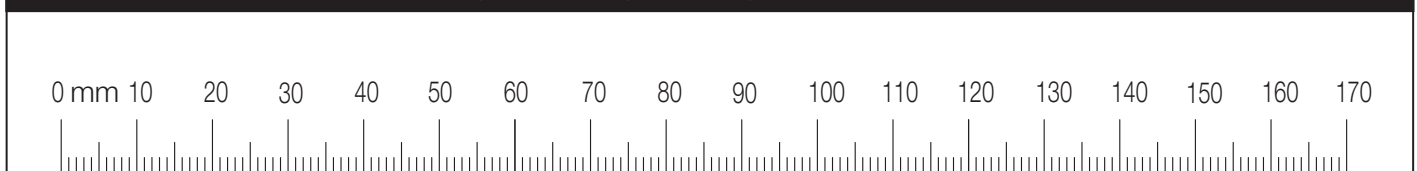


Small Hammer

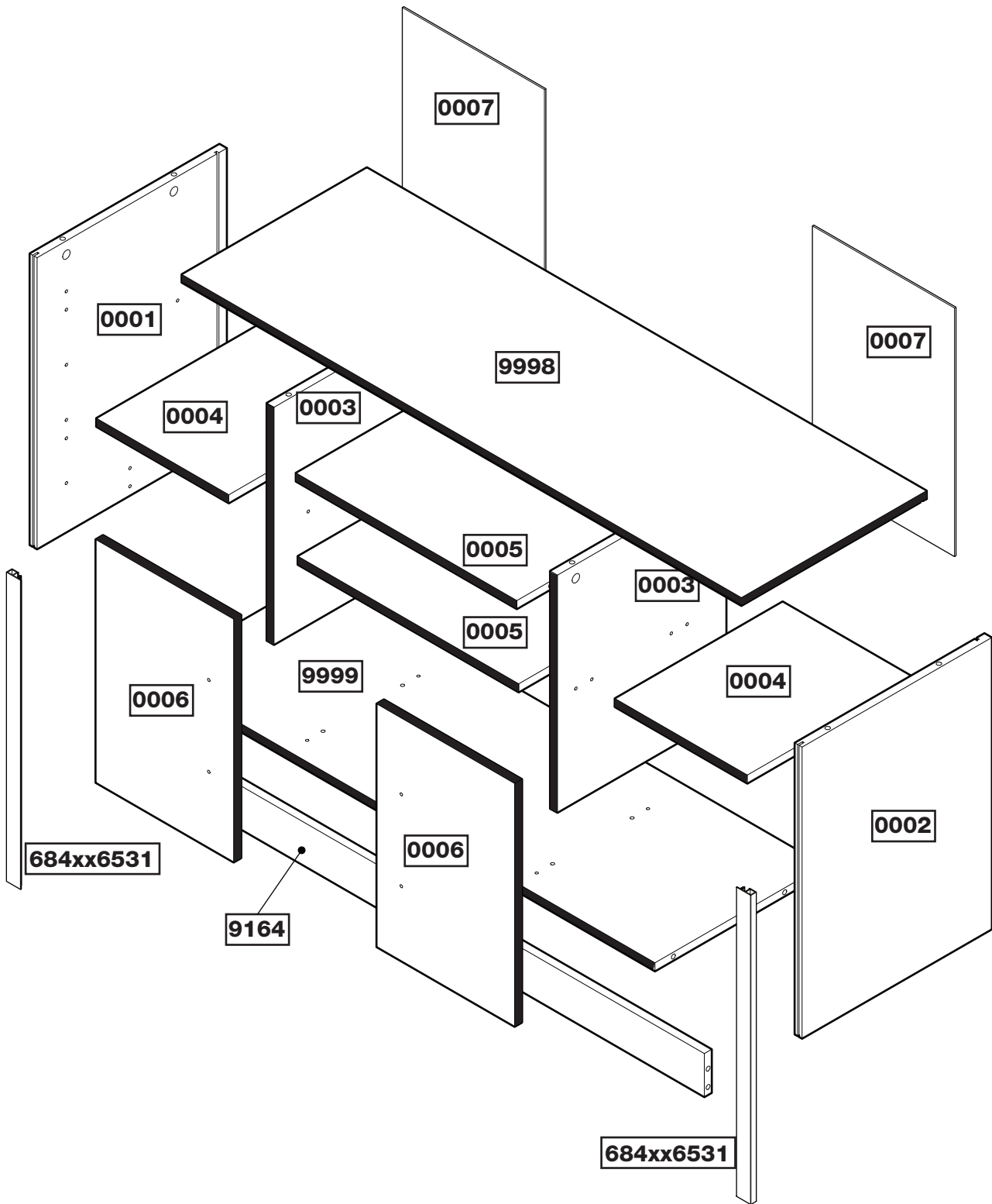


Bradawl

Ruler - Use this ruler to help correctly identify the screws



Exploded View



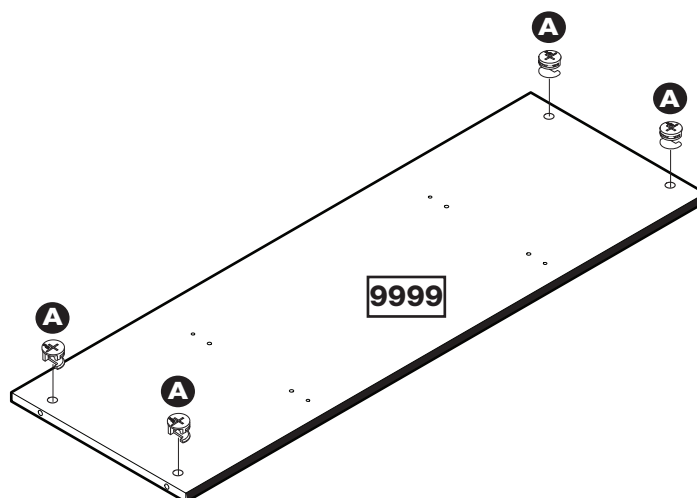
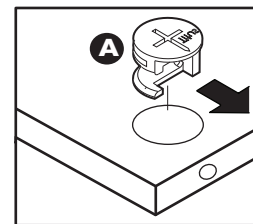
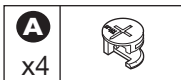
Assembly Instructions

Step 1

Fitting cams to the bottom panel.

Insert 4 metal cams **A** into the bottom panel **9999**.

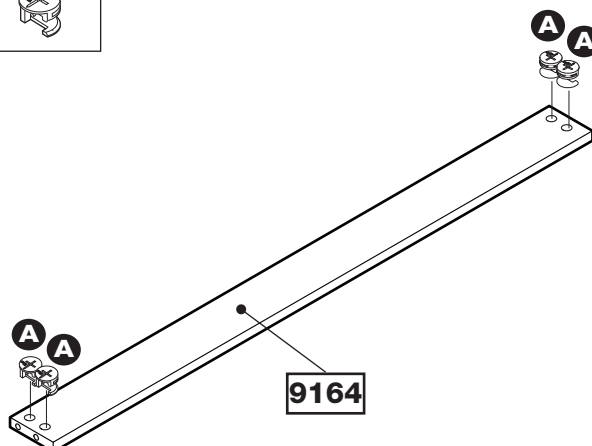
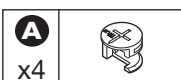
Note: Ensure cam arrow points towards the edge with the hole.



Step 2

Fitting cams to the plinth panel.

Insert 4 metal cams **A** to the plinth panel **9164**.

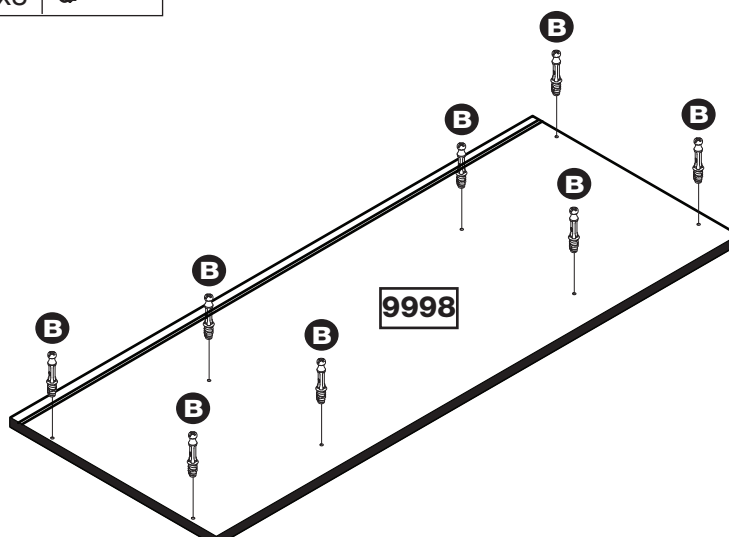
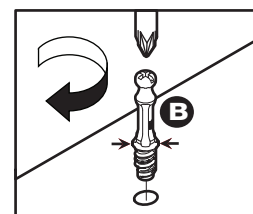


Step 3

Fitting dowels to the top panel.

Insert 8 metal dowels **B** into the top panel **9998**.

Note: Insert metal dowels **B** as far as shown by arrows. Do not over tighten.



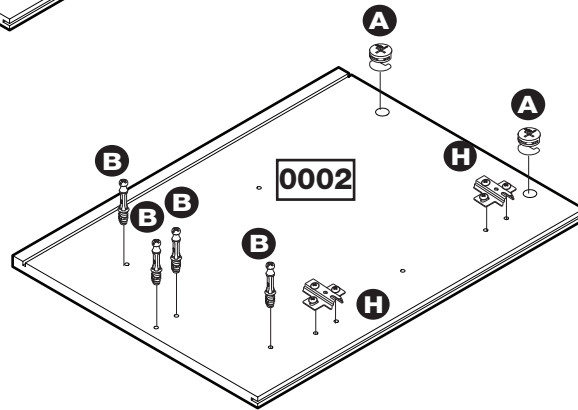
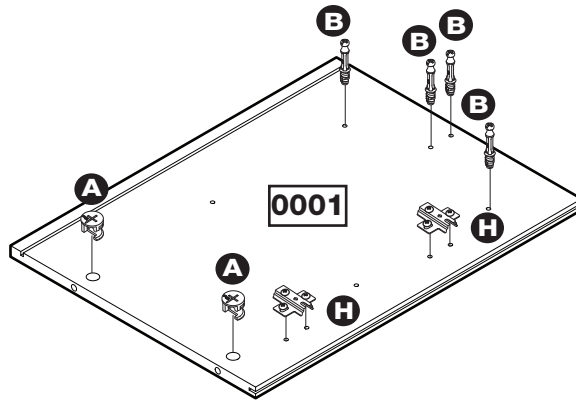
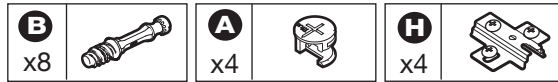
Assembly Instructions

Step 4

Attach dowels, cams and hinges to both of the end panels.

Insert 4 metal dowels **B**, 2 hinges **H** and 2 cams **A** into the left end panel **0001**.

Repeat on the right end panel **0002**.

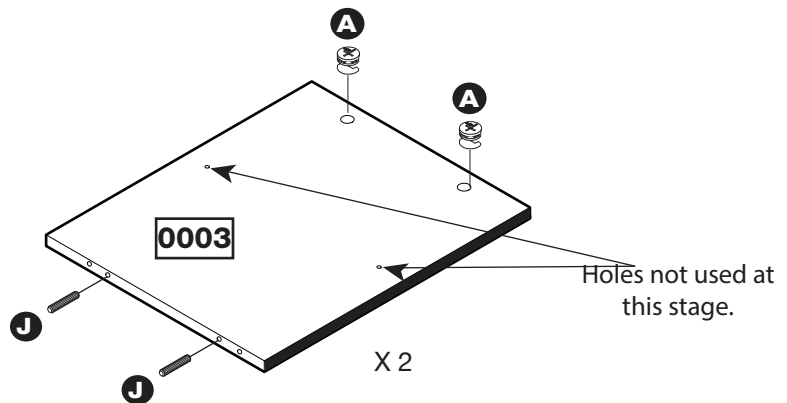


Step 5

Attach dowels, cams to both divider panels.

Insert 2 cams **A** and 2 wooden dowels **J** into the divider panel **0003**.

Repeat on remaining divider.



Assembly Instructions

Step 6

Attach hinges and handles to the doors



a: Insert hinges **G** into holes, ensure the hinge is straight (90 degree angle).

b: Before securing the hinges **G**, we recommend you pre - mark the doors using a bradawl.

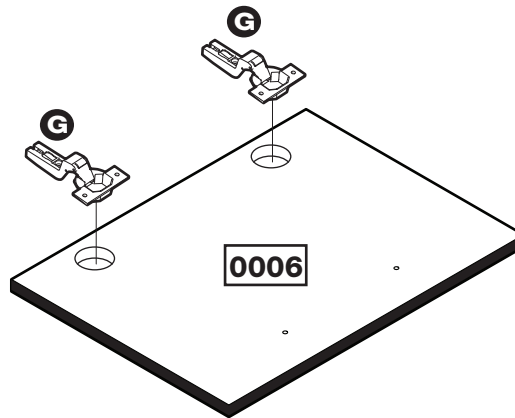
c: Secure hinges **G** to doors using screws **K**.

d: Secure handle **I** to doors using bolts **E**

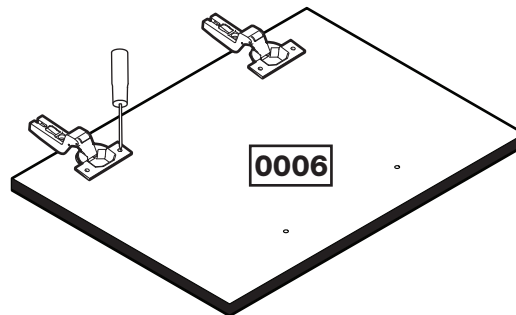
Repeat on the second door.



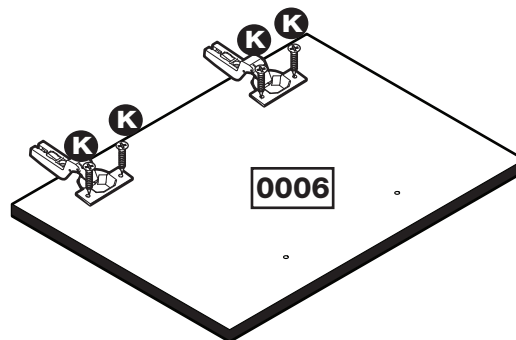
A



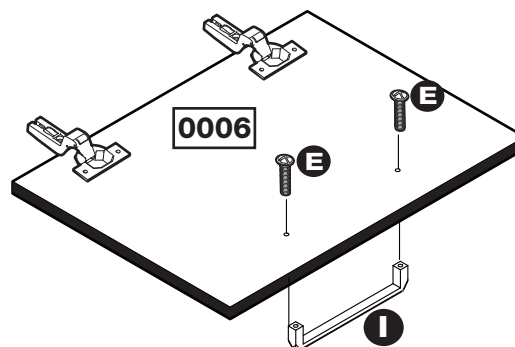
B



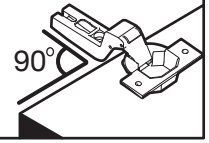
C



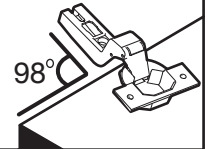
D



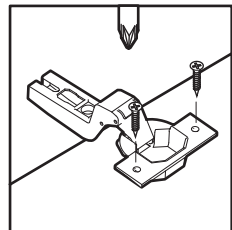
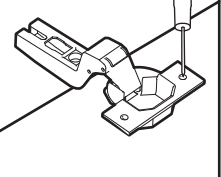
Correct



Incorrect



Bradawl



Assembly Instructions

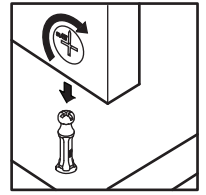
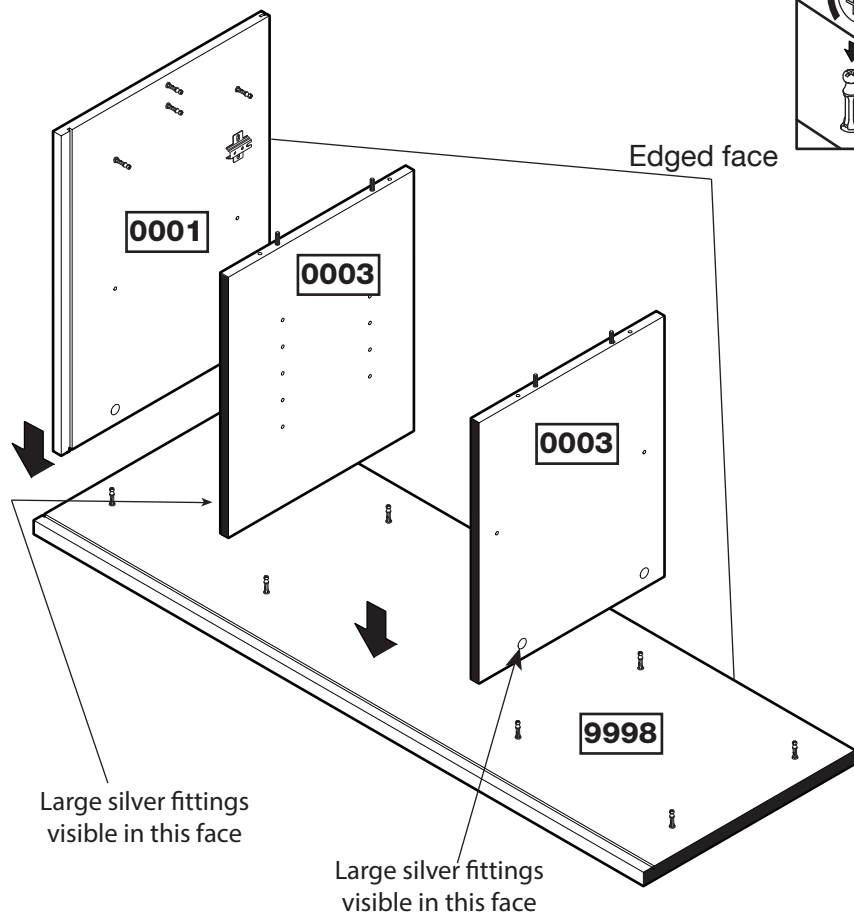
Step 7

Connect the top panel to the left end panel and the divider panels.

Connect the dowels in the top panel **9998** to the dowels in the left end panel **0001** and divider panels **0003**.

IMPORTANT.
Please ensure divider panels **0003** are positioned as shown.

Turn cams 180 degrees to lock.

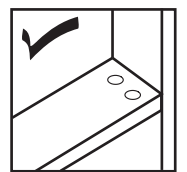
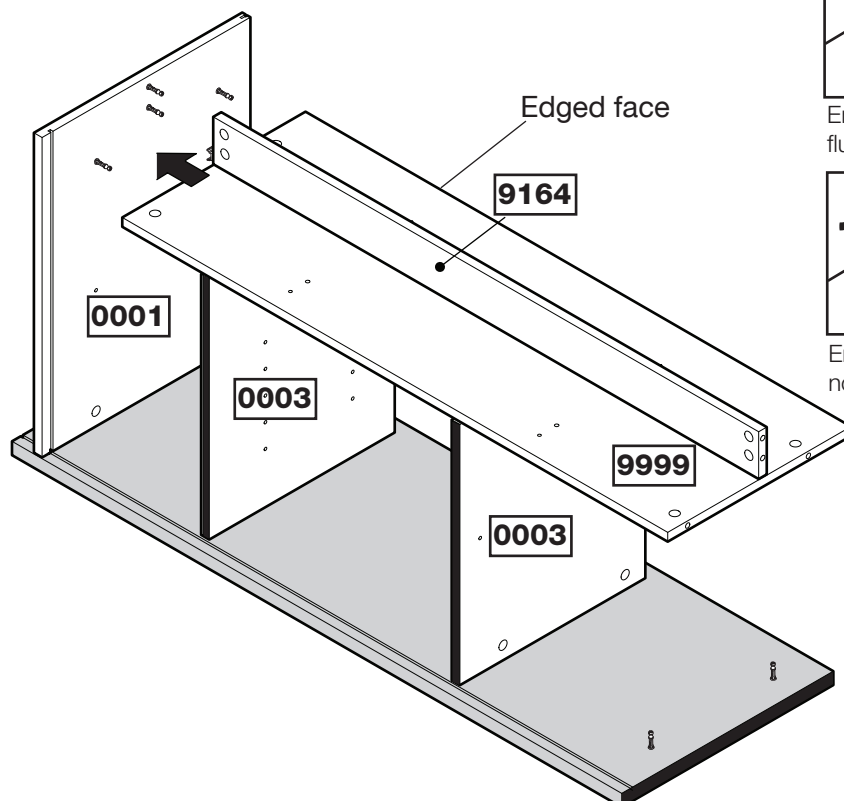


Step 8

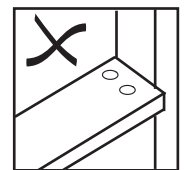
Connect the bottom and the plinth panel to the left end panel.

Connect the dowels in the left end panel **0001** to the cams in the bottom panel **9999** and the plinth panel **9164**. Ensure that dowels in both **0003** panels locate into bottom panel **9999** guide holes.

Turn cams 180 degrees to lock.



Ensure plinth sits flush.



Ensure plinth is not overhanging.

Assembly Instructions

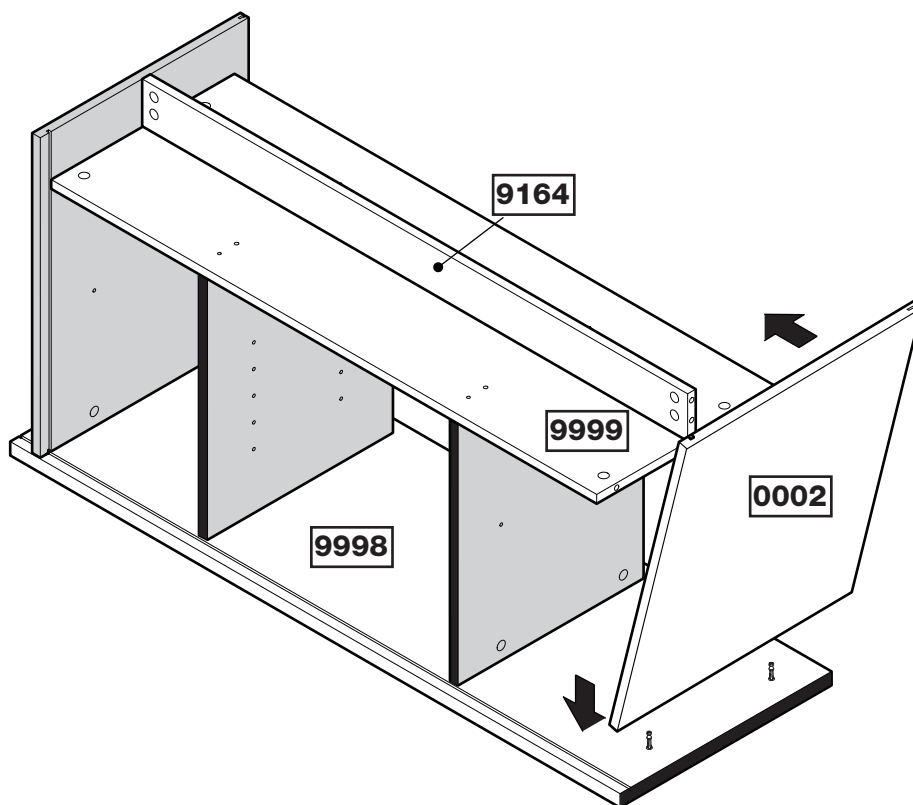
Step 9

Connect the right end panel to the top, bottom and plinth panel.

Connect the dowels in the top panel **9998** to the cams in the right end panel **0002**.

Connect the dowels in the right end panel **0002** to the cams in the bottom panel **9999** and the plinth panel **9164**.

Turn cams 180 degrees to lock.

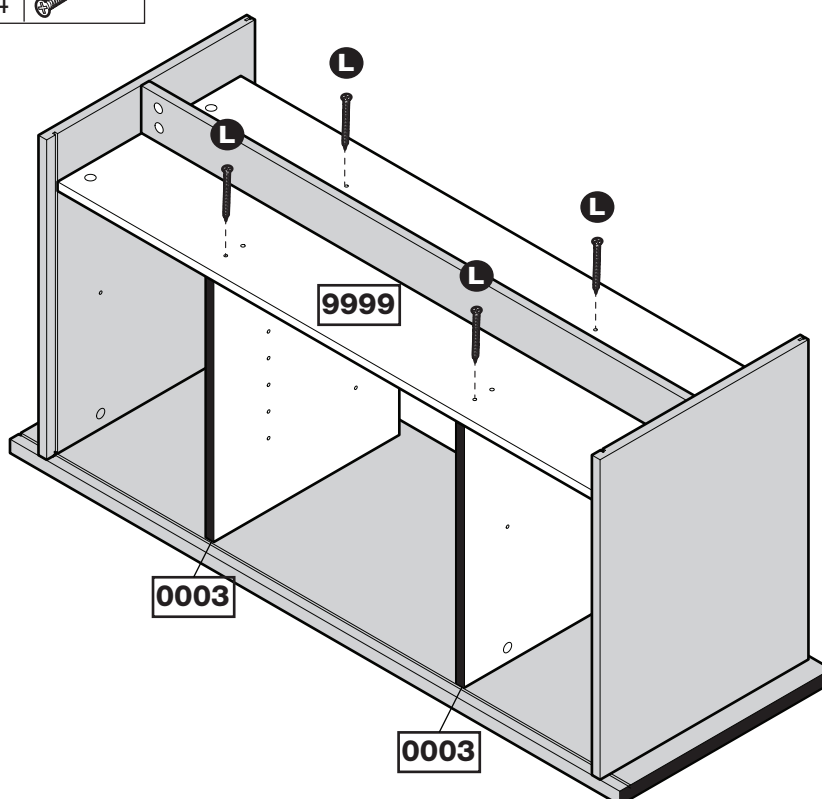
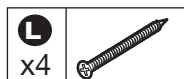


Step 10

Secure the bottom panel to the divider panels.

Using 4 screws **L**, secure the bottom panel **9999** to the divider panels **0003**.

Lay unit on its front to attach the backpanels



Assembly Instructions

Step 11

Squaring up the unit.

Important:



Ensure a **tape measure** is used to **square up** unit!

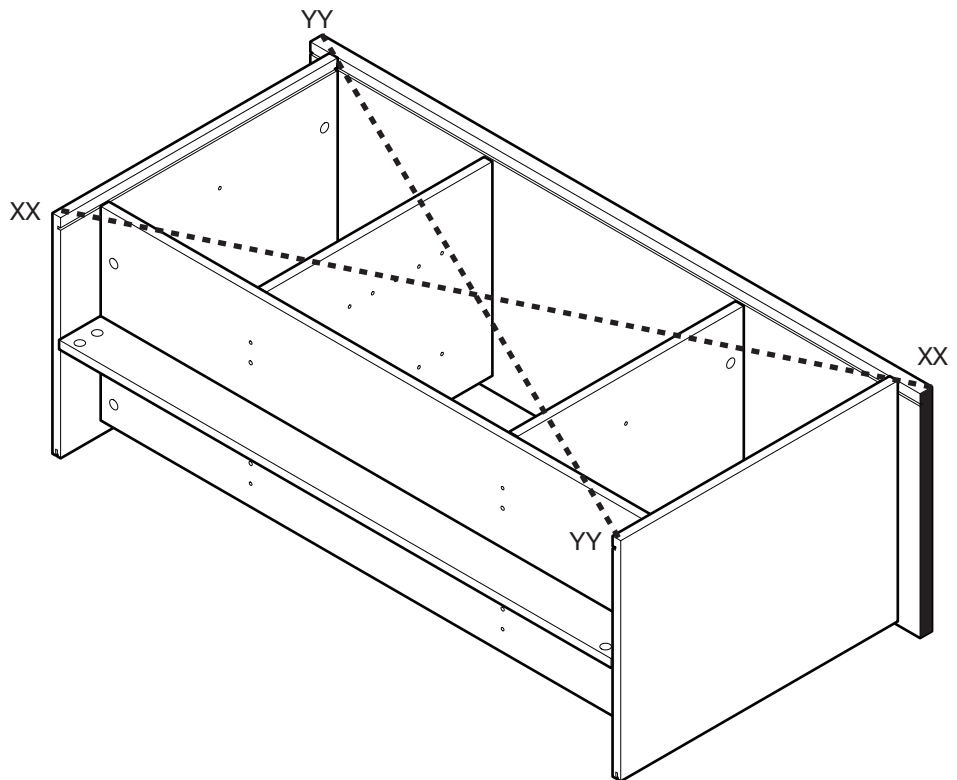
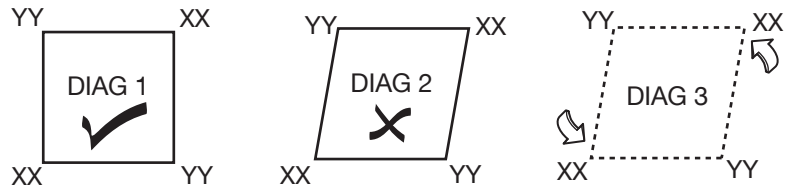
Before securing the back it is necessary to square up the unit.

You can do this by measuring between XX - XX and YY - YY ensuring these are the same (DIAG 1).

If they are not (DIAG 2) Apply slight pressure as indicated (DIAG 3) until they are the same.



Measure to external corners



Step 12

Attach the backpanel

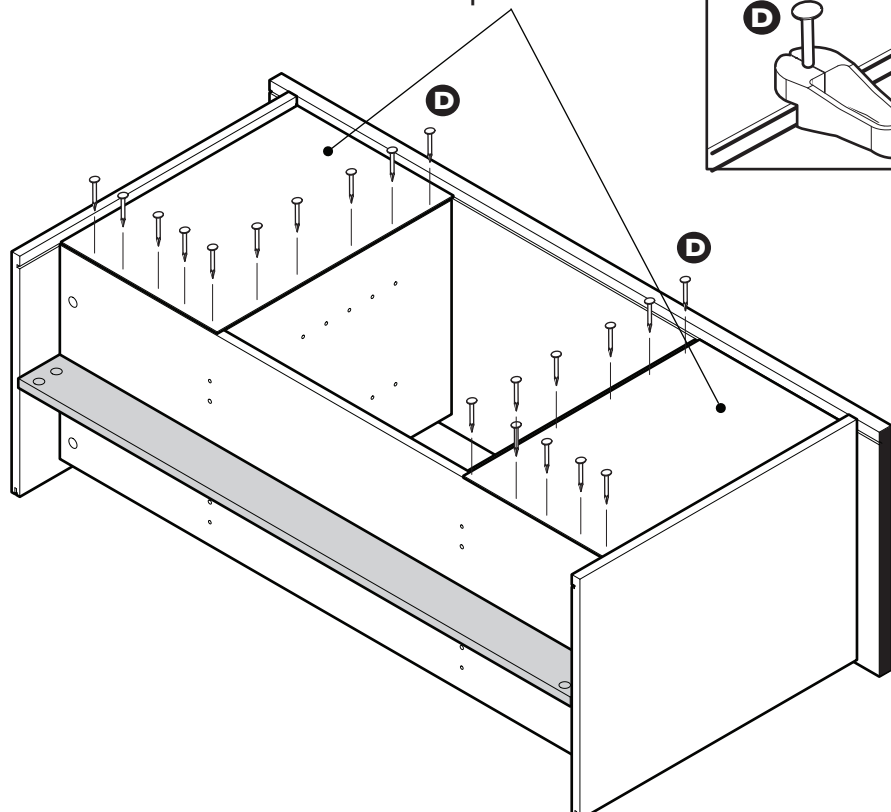
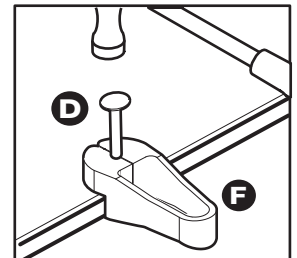
Slide the back panel into the end and top panel grooves.

Use the panel pin guide when locating the panel pins. This will hold the panel pins vertical and ensure the correct distance from the edge.

Ensure that the backpanel is fully inserted into groove.



Plain chipboard surface.



Assembly Instructions

Step 13

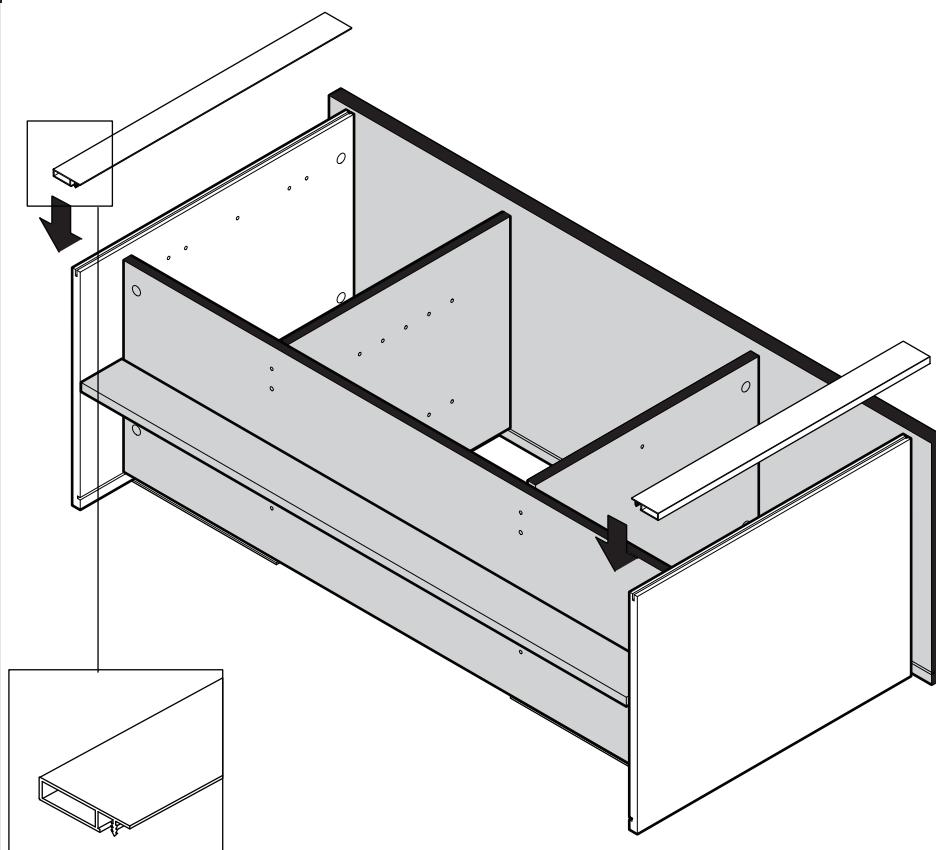
Lay unit on its back to attach the trims

Remove protective film from silver trim.

Locate the notch on the trim into the grooves in the end panels.

To insert trims use a hammer, place a cardboard packing piece between the hammer and trims to protect the trims.


Ensure that the trims are inserted fully.



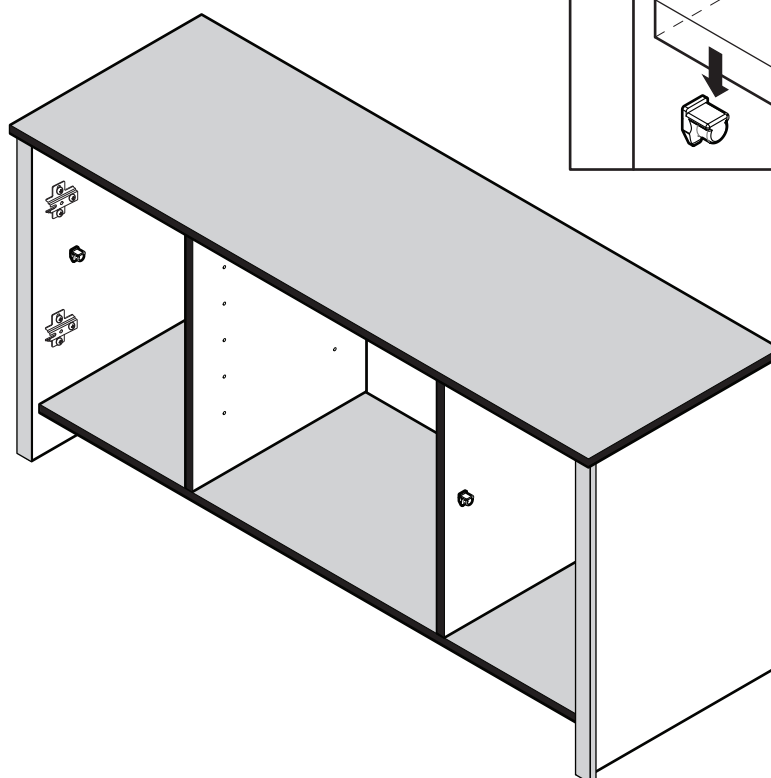
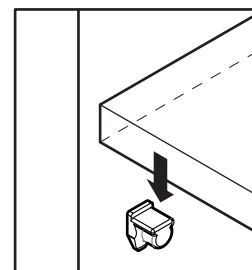
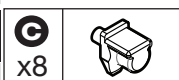
Step 14

Fitting the shelf supports.

Stand Unit Upright.

Insert 8 shelf supports  .

Once inserted, seat shelves **0004** on top of the shelf supports.



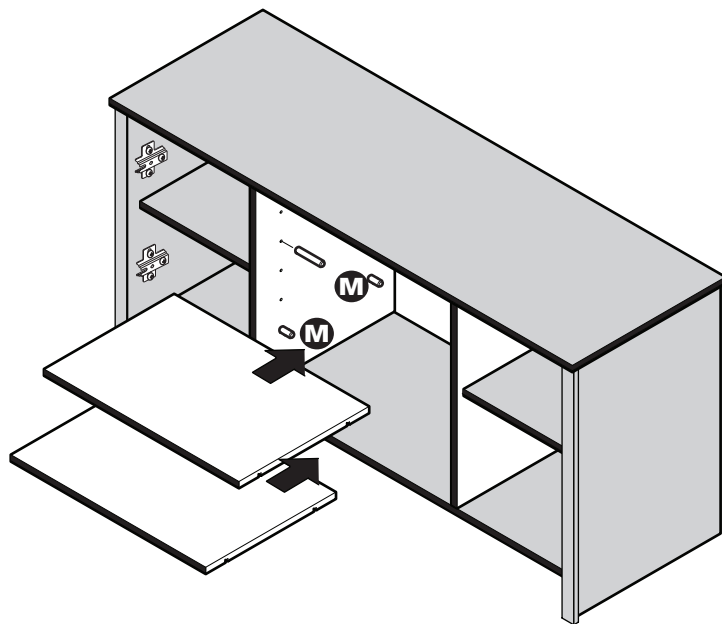
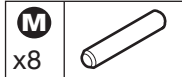
Assembly Instructions

Step 15

Insert the shelf pins and insert shelves.

Insert 8 of the shelf pins **M** into the 2 divider panels **0003** at your desired height.

Place the shelves **0005** on top of the shelf pins.



Step 16

Hanging doors

a: With help, slot door hinges onto hinge plates. Ensure screw on hinge slides into the slot on hingeplate.

See Diagrams 1, 2 and 3.

b: Tighten screw shown to lock hinges in position.

See 'Hinge adjustment' page if the doors need adjusting.

Repeat the process on the remaining door.

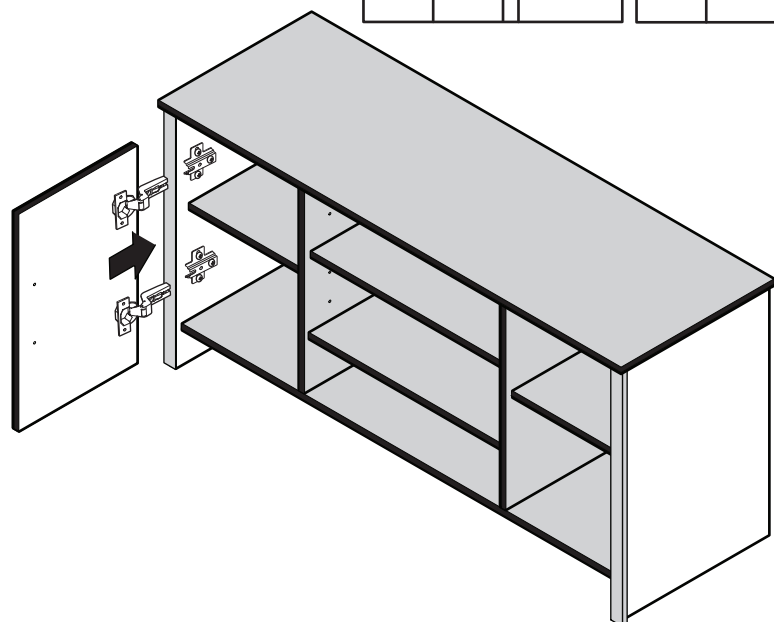
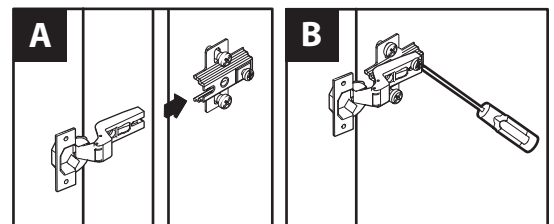
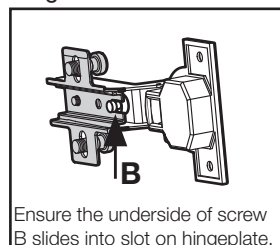
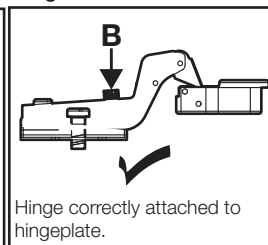


Diagram 1



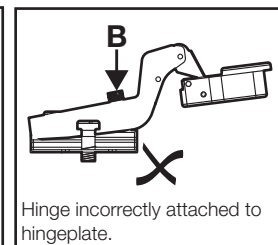
Ensure the underside of screw B slides into slot on hingeplate.

Diagram 2



Hinge correctly attached to hingeplate.

Diagram 3



Hinge incorrectly attached to hingeplate.

Assembly Instructions

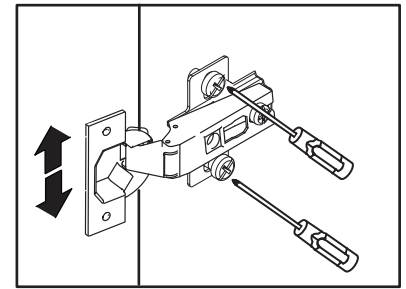
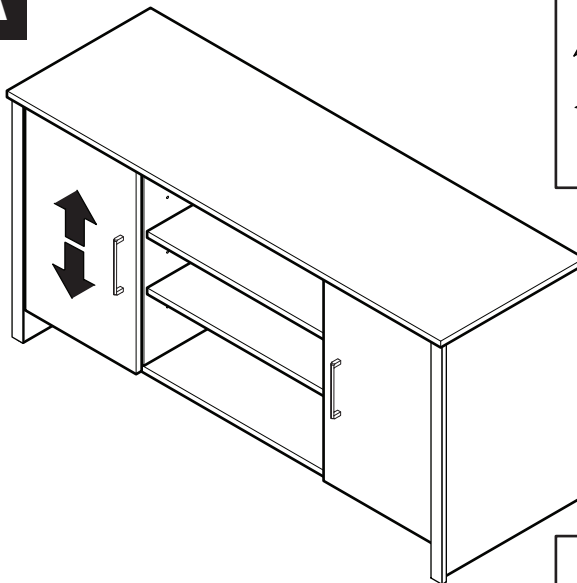
Step 17

Hinge adjustment

a: To move doors up or down: loosen screws shown and move doors to suit.

Re-tighten screws.

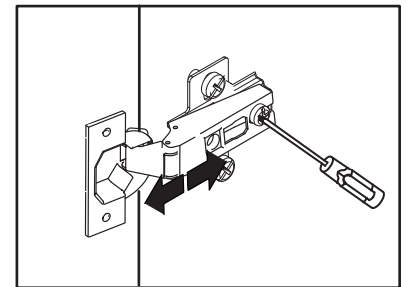
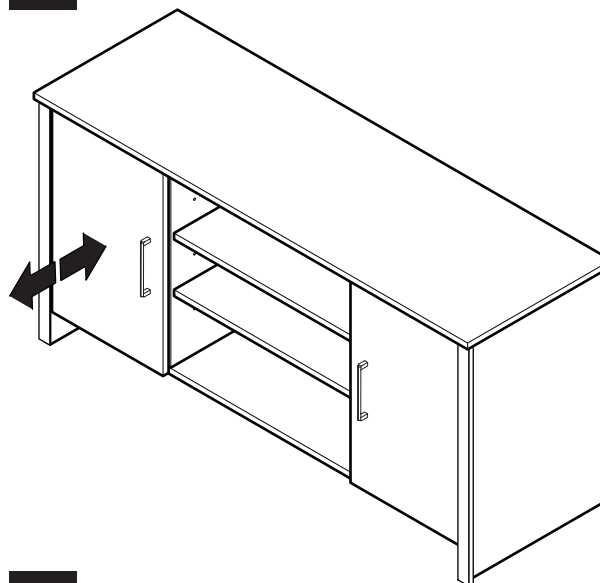
A



b: To move doors in or out: loosen screw shown and move doors to suit.

Re-tighten screws.

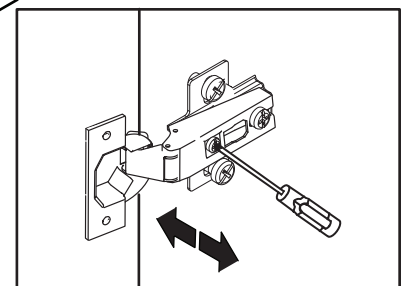
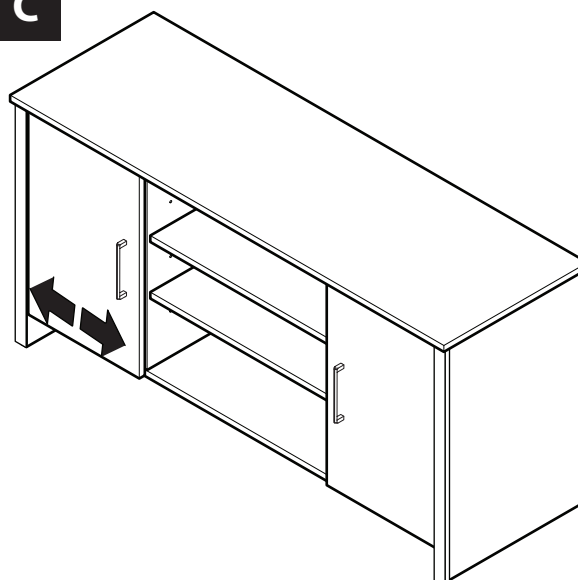
B



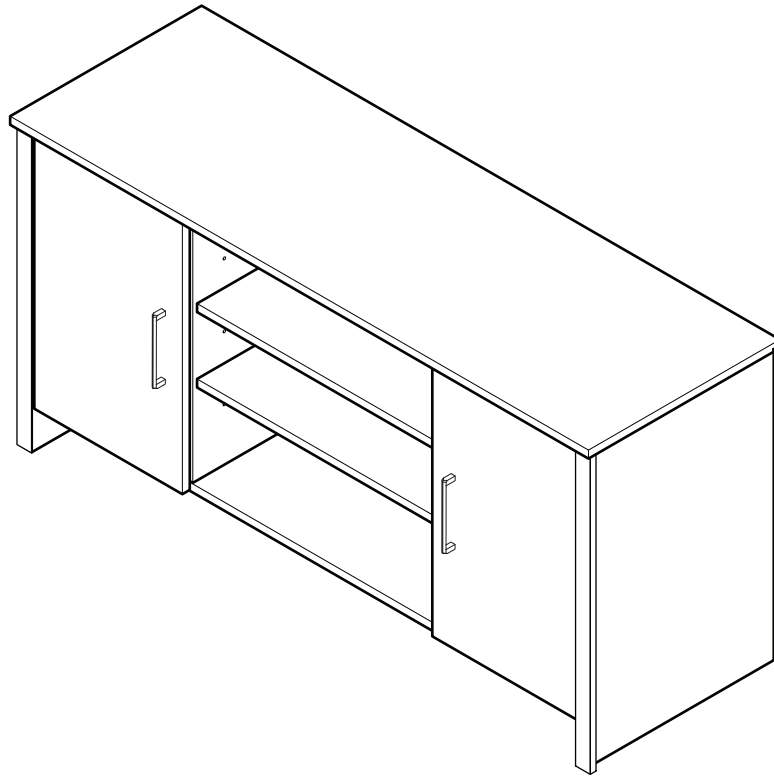
c: To move doors left or right: loosen or tighten screw as shown.

Be careful not to fully unscrew.

C



Congratulations! Your unit is complete.



Important Information

If you need help or have damaged or missing parts, call the **Customer Helpline:**

01709 534123

8am - 4.30pm (Monday to Thursday)

8am - 2.30pm (Fridays)

(by contacting the customer service line your statutory rights are not affected)

Please have the following information to hand:

- >> Unit Description
- >> Product Code
- >> Product Colour
- >> Place of Purchase
- >> Catalogue Ref. No.
- >> Item Code
- >> Assembly Instructions

We do have an answer machine should you contact us out of office hours, so in addition to the above information could you leave your name, address, daytime telephone number and the nature of your call on the answerphone. All calls will be actioned asap.

You can also e-mail your requests to us at:

customer.helpdesk@addspacefl.co.uk

Alternatively, you can write to us at: **Customer Service Department, Addspace Furniture Limited, Braithwell Way, Hellaby Industrial Estate, Hellaby, Rotherham, South Yorkshire, S66 8QY.**