

BUSH Range hood

Range Hood User Manual



BTCH60B-BTCH60X



Compliant to EEE Directive.

Please read this user manual carefully before installing or using your equipment.

Please keep this user manual in a safe place for future use.

Scope of the Range Hood User Manual

Dear customer, the following sections contain information on safe and efficient use of the equipment. Please read carefully before attempting to install the equipment.



Points to consider before use.....2

Section 1



Technical specifications3

Section 2



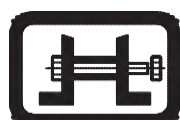
Technical dimensions 4

Section 3



Wiring diagrams5

Section 4



Mounting instructions 6

Section 5



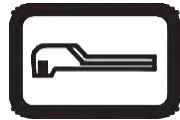
Operating instructions9

Section 6



Maintenance instructions 10

Section 7



Fault Descriptions 12

Section 8



Points to consider before use

Section 1

1....Electrical connections and installation of the product must be done by qualified service personnel.



In contrary, the product's efficiency may be reduced and serious risks such as noise, vibration and electricity leakage may occur. In addition, the warranty becomes null.

2....Operating voltage is 200-230 Volt. Do not use under lower or higher voltages.



In contrary, it leads to burnout with the motor windings, failure with the light bulbs and damages other electrical connection members.

3....The exhaust connection of the product must be made to heating stove, natural gas, heater, ventilation duct.



In contrary, toxic gas leakage occurs or the high air pressure affects other environments.

4....The product must be connected to grounding plug.



In contrary, there is a risk of equipment damage and electrical shock.

5....Flammable food should not be cooked under the range hood.



In contrary, the equipment may take fire, electrical components and metal housing may be damaged.

6....Do not use replace the aluminium filter of the range hood with other materials.



In contrary, other materials may take fire, the suction power may be reduced in addition to the reduction of service life.

7....Do not connect the range hood to power before completing the installation works.



In contrary, there is a risk of electrical, mechanical problems for the equipment, in addition, electrical or mechanical accidents may take place.

8....Range hood is designed for use above the stoves in the kitchen of the houses. The product should not be used out of its intended purpose.



In contrary, the manufacturer shall not assume any responsibility in connection with possible problems and accidents. In addition, the warranty of the equipment becomes null.

9....Make sure that the wall where the range hood will be mounted is capable of bearing its load.



In contrary, negative consequences may occur.

10....Keep children away from the equipment and do not allow them to use it.



In contrary, negative consequences may occur.

11.... Do not touch the halogen lamp as it heats on the surface.



In contrary, various accidents may take place.

12....Ventilation in the room must be at sufficient levels when the electrical range hood is used at the same time with the equipment fuelled with gas or other fuels. (air-filtering equipment may be excluded)



In contrary, various accidents may take place.

13....Electrical range hood must be cleaned periodically, surfaces of the product must be clean.



In contrary, oil accumulates on the range hood surface and it may cause range hood to take fire.

14....The product must be mounted on the wall in accordance with the dimensions specified in the mounting diagrams.



In contrary, the range hood may take fire, toxic gasses are not extracted and performance loss occurs.



Technical specifications

Section 2

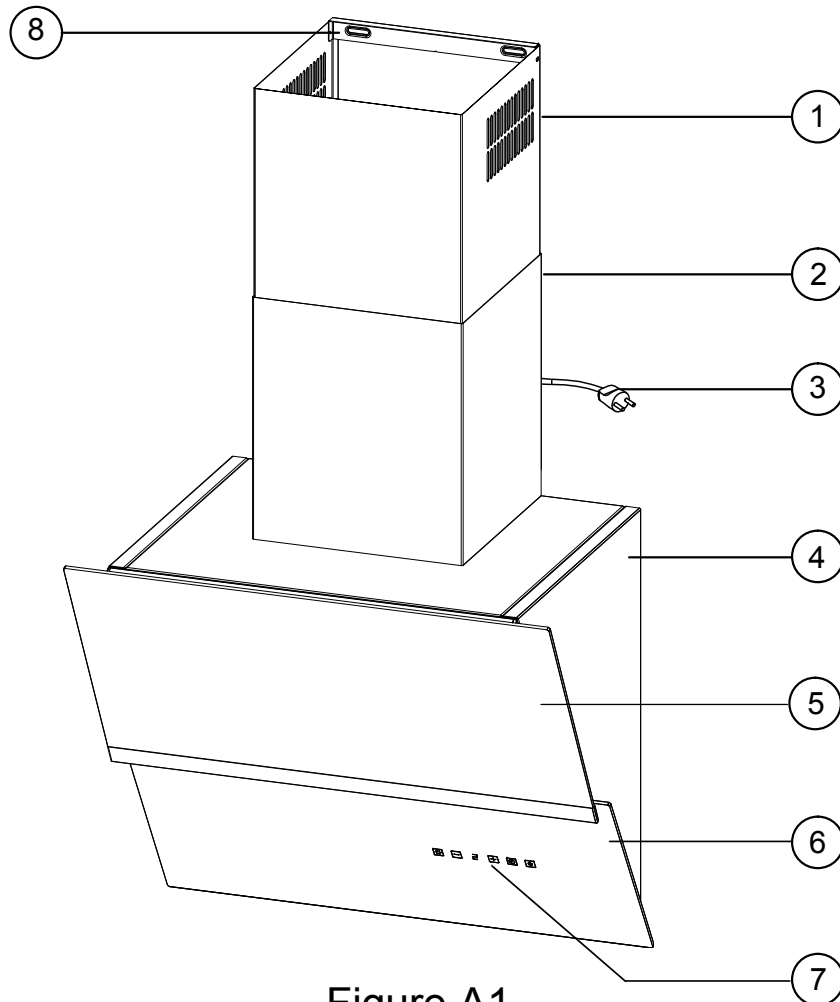
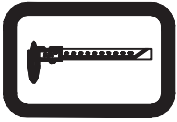


Figure A1

- 1- Flue top
- 2- Lower flue panel
- 3- 220V cable
- 4- Range
- 5- Removable centre glass
- 6- Control glass panel
- 7- Control icons
- 8- Connection plate

Range hood technical specifications			
Length	598/898	Motor Power	115W
Width	425	Total Power	155W
Height	Min 805 Max 1085	Air Outlet Pipe Diameter	120 mm/150 mm
Control Panel	Touch Control	Supply Voltage	220-230V 50Hz
Suction Power	550 M³		
Light Power	2X20 W		



Technical dimensions

Section 3

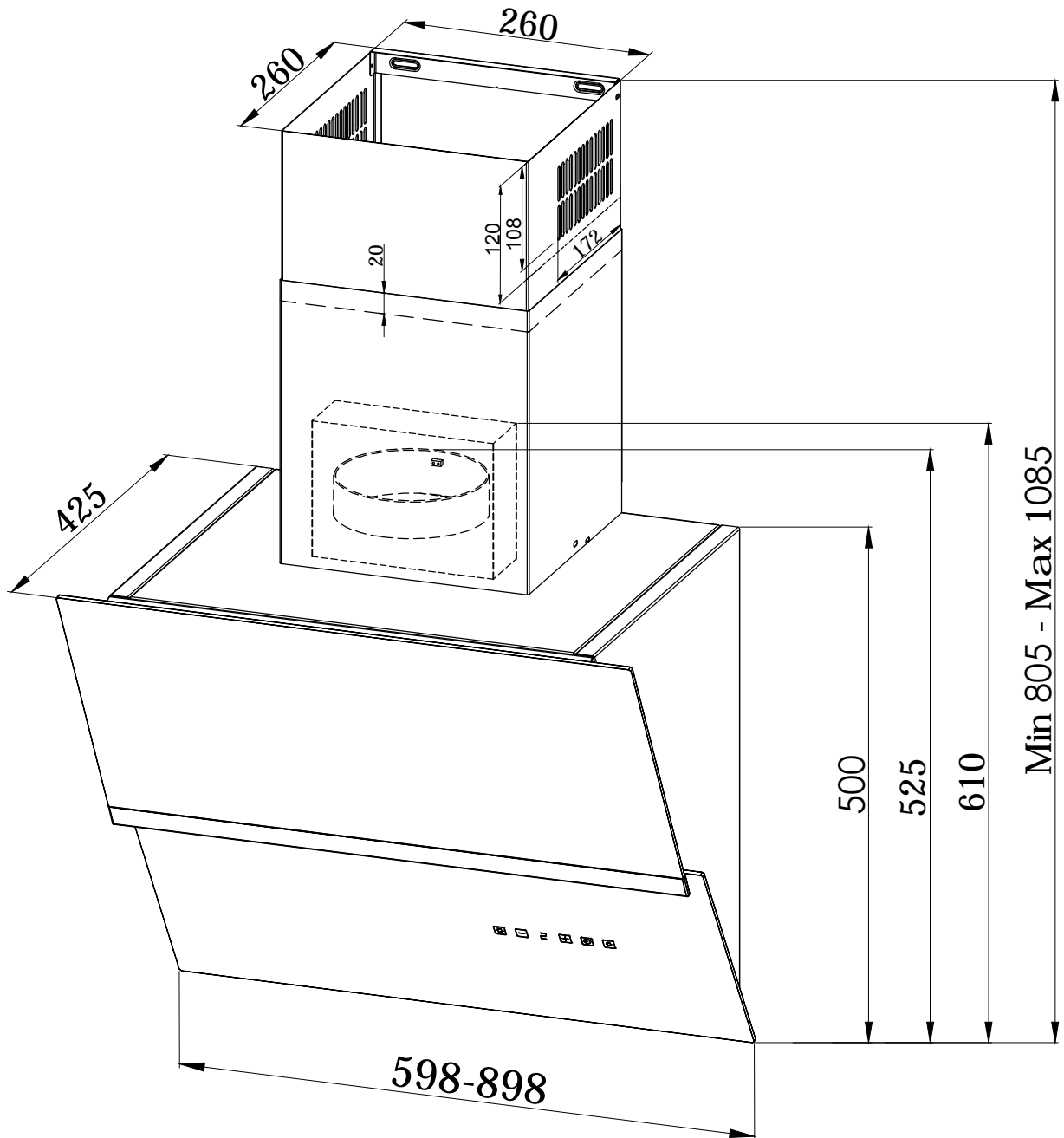


Figure A2



Wiring diagrams

Section 4

Touch control wiring diagram

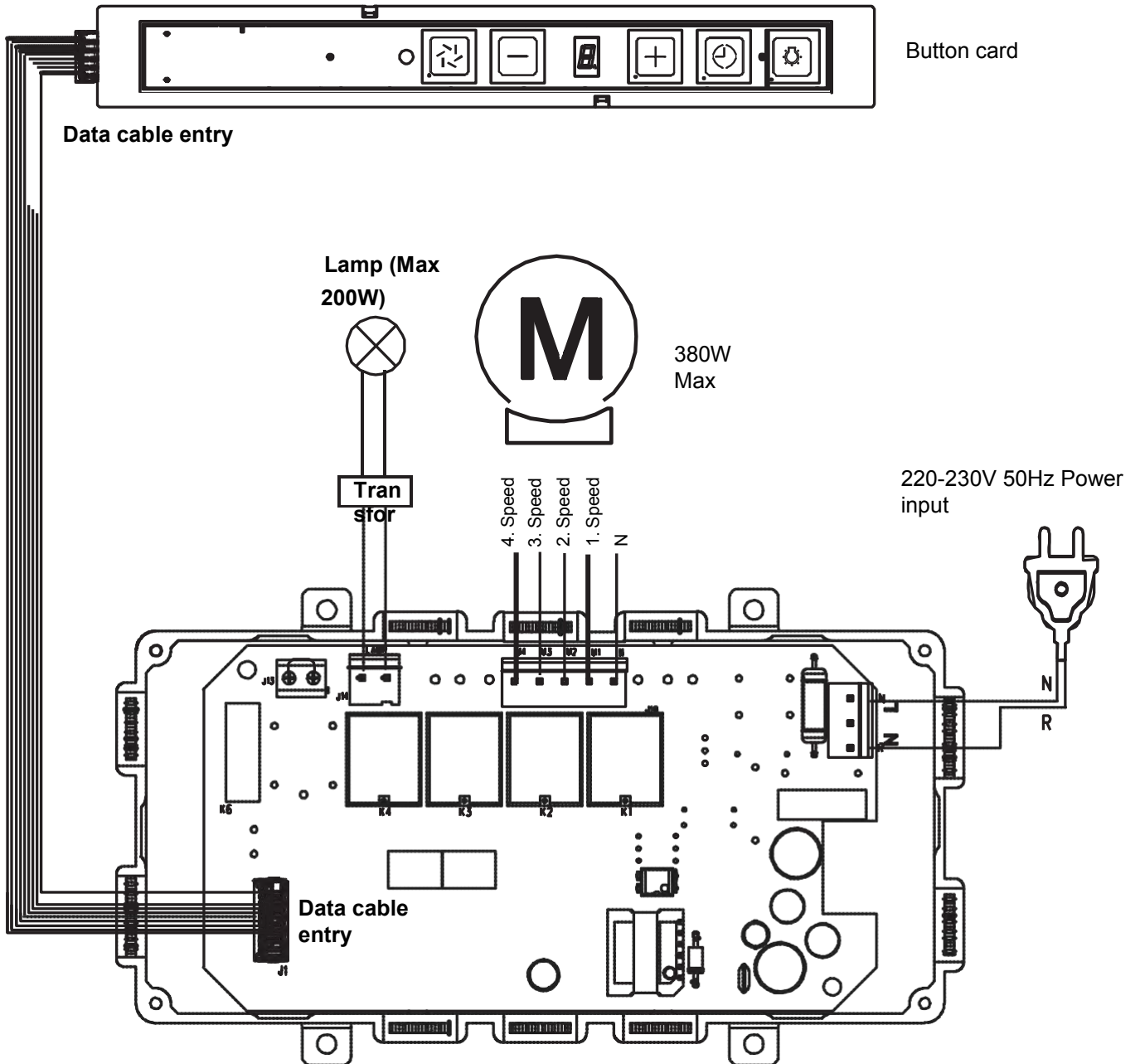
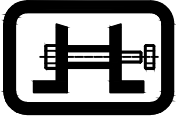


Figure A3



Mounting instructions

Section 5A

Range hood mounting distances

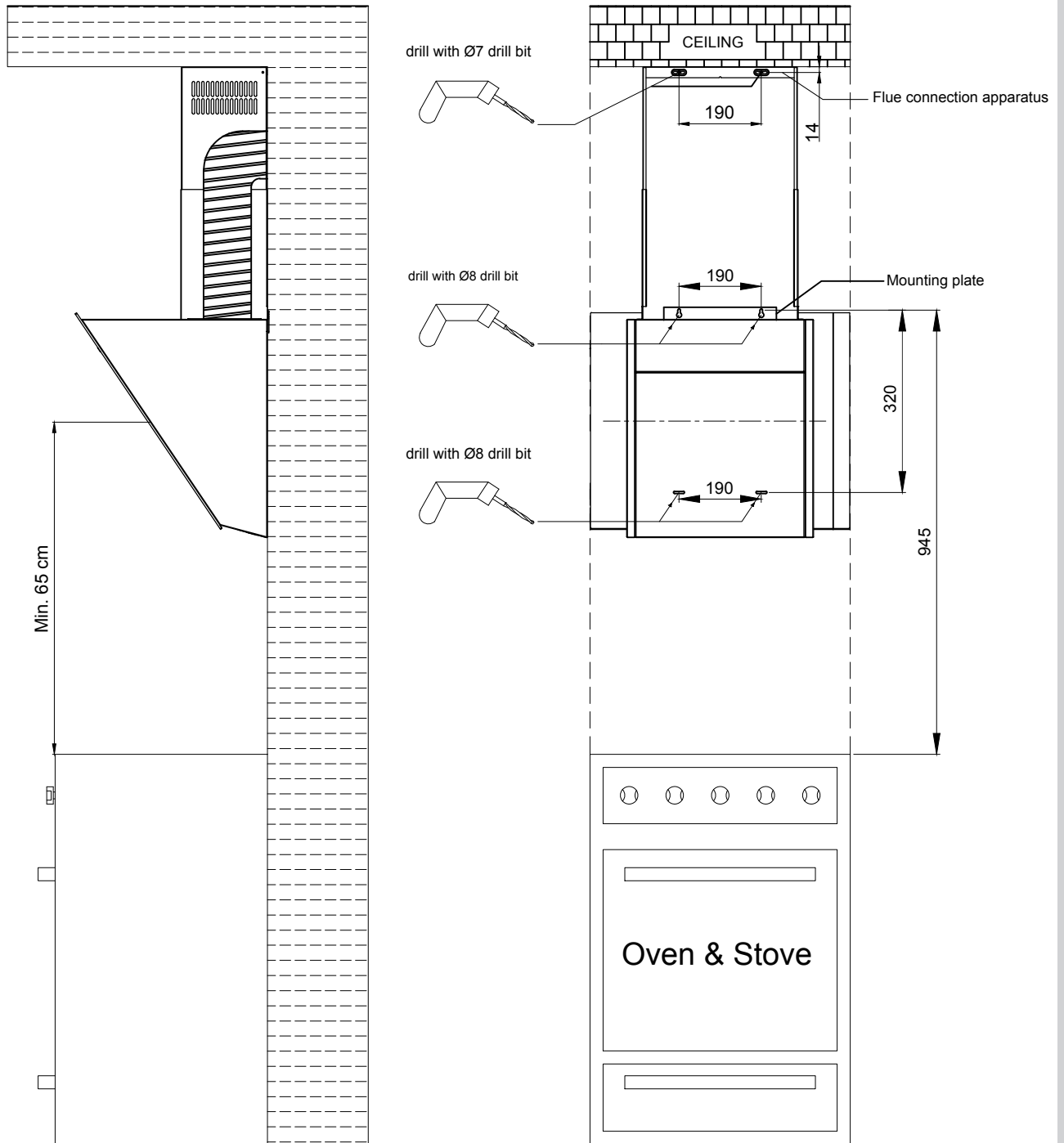
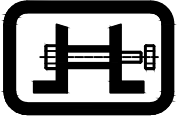


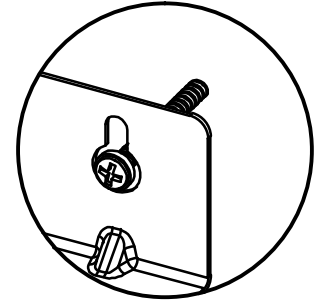
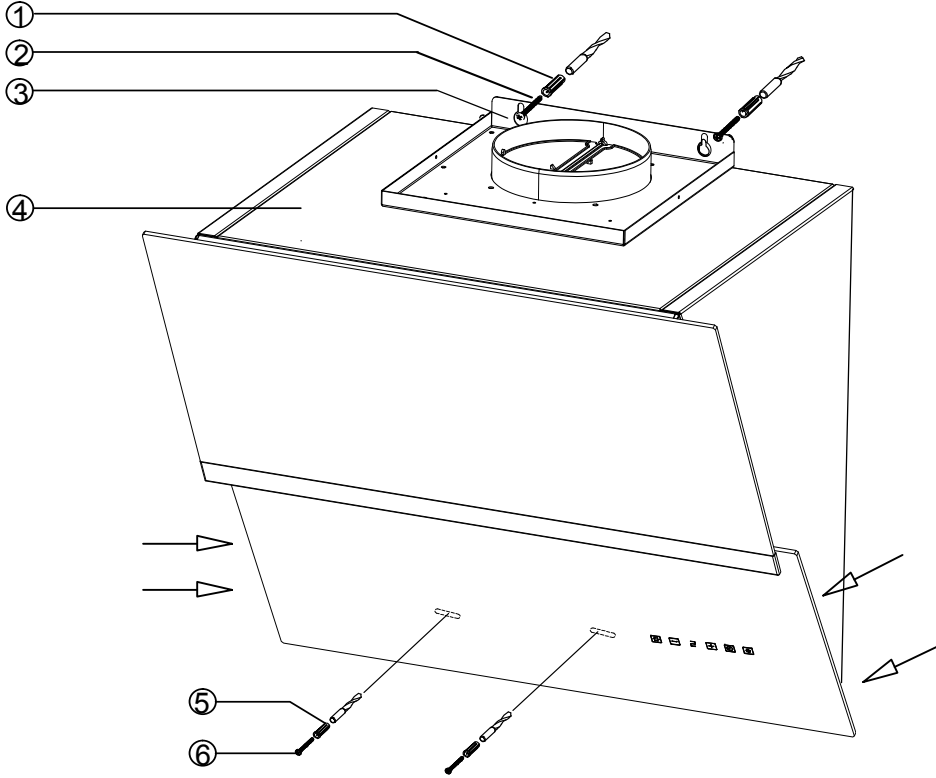
Figure A4



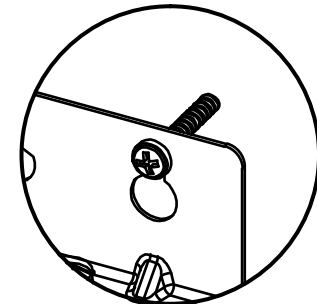
Mounting instructions

Section 5B

Range mounting



ŞEKİL A5-1



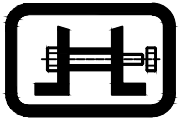
ŞEKİL A5-2

Figure A5

- 1- Ø8 mm threaded insert
- 2- 2x50 rysb screw
- 3- Motor connection plate
- 4- Range
- 5- Ø8 mm threaded insert
- 6- 2x50 rysb screw

Mounting steps:

- 1- Drill the required holes in accordance with the distances specified in Figure A4.
- 2- Drive 4x Ø8 mm threaded inserts (1-5) and 2x Ø7 threaded inserts into the wall.
- 3- Drive 2x50 rysb screws(2) into the threaded insert making sure that the spacing between the wall and the screw head is 2-4 mm in Figure A5-1 and Figure A5-2
- 4- Lift the product, slide the screw head into the large hole on the motor connection plate & wall mounting plate and slightly push the product against the wall and downwards, make sure that screw heads are properly inserted into the hole.
- 5- Open the product cover and remove 2x50 rysb(6) screws as shown in Figure A5.
- 6- Check the steps you applied and continue with the flue assembly.



Mounting instructions

Section 5C

Range hood flue assembly and completion of the mounting works.

Note : You are required to buy $\varnothing 120$ mm or $\varnothing 150$ mm semi-rigid aluminium duct and 2 connecting clamps for the flue assembly. We recommend you to use $\varnothing 150$ mm semi-rigid duct.

- 1- Flue mounting apparatus
- 2- $\varnothing 7$ Threaded insert
- 3- 3,9x9,5 pan head screw
- 4- 2x35 rysb screws
- 5- Flue Top
- 6- Lower Flue Panel
- 7- Motor connection & wall mounting plate
- 8- 3,9x9,5 pan head screw

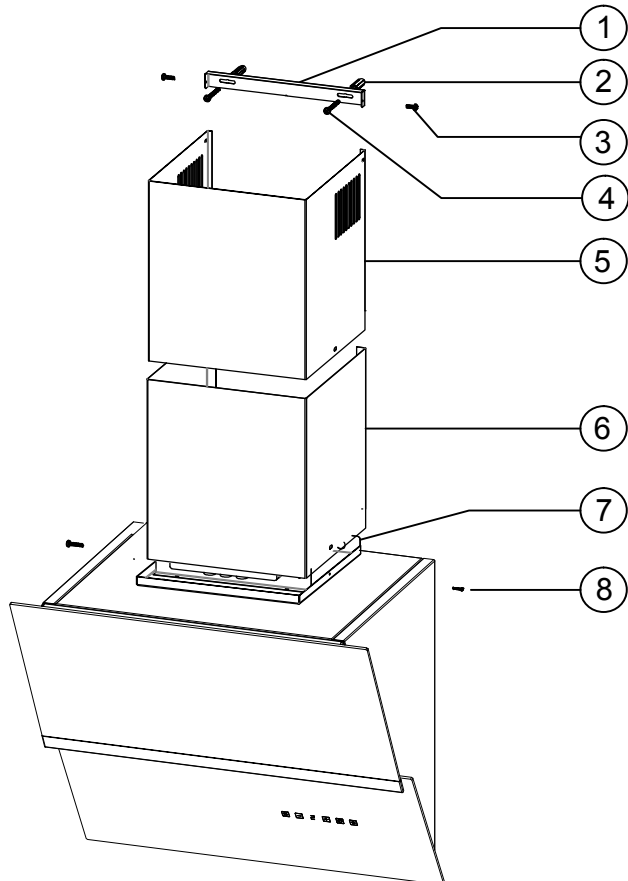


Figure A6

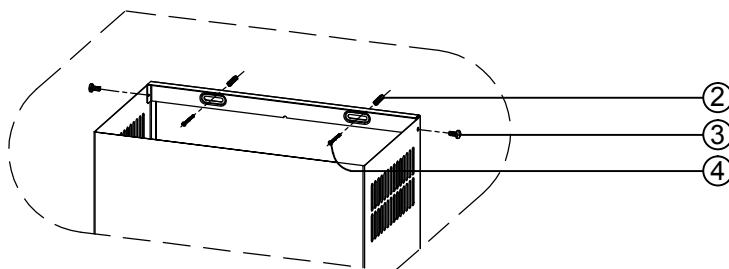


Figure A7

Flue assembly:

- 1- Insert lower flue panel into the flue top.
- 2- Screw the lower flue panel to the range by using 3,9x9,5 screw(8) as shown in the figure A6.
- 3- Drive $\varnothing 7$ mm threaded inserts into the holes drilled in accordance with the dimensions provided in Figure A4.
- 4- Screw the flue mounting apparatus to the wall by using 4x35 rysb(4) screws.
- 5- Lift the flue top and fasten to the flue mounting apparatus on sides by using 3,9x9,5 pan head screws(3) as shown in Figure A7 and complete the mounting works.












Operating instructions

Section 6

Touch control operating instructions



-  **M.On/Of button:** Starts and stops the motor. Motor starts-up at Speed 2.
-  **(minus button):** It is used to reduce the motor speed down to speed 1. The speeds are reduced one after the other when the button is pressed continuously. The speed is reduced one by one if the button is pressed intermittently.
-  **(plus button):** It is used to increase the motor speed up to speed 4. The speeds are increased one after the other when the button is pressed continuously. The speed is increased one by one if the button is pressed intermittently.
-  **Display:** It displays the speed of the motor, replacement/cleaning warning for the aluminium filter and carbon filter, functioning of the timer and on/off positions of the lamp.
-  **Timer button:** If the timer button is pressed when the motor is active, the number of that speed starts flashing on the display. Motor stops and, if it is on, the lamp turns off after flashing for 15 minutes. If the timer button is pressed again, the flashing stops and the timer setting is cancelled.
-  **Lamp button:** It is used to turn the lamp on and off. A point segment is displayed when the lamp is on.
-  **Aluminium filter warning:** At the end of 30-hour motor operating period, 'f' is displayed as the aluminium filter replacement/cleaning warning. If the (-) minus button is pressed for 5 seconds after cleaning the filter, 'e' is displayed and the aluminium filter timer is reset.
-  **Carbon filter warning:** At the end of 300-hour motor operating period, 'f' is displayed as the carbon filter replacement/cleaning warning. If the (+) minus button is pressed for 5 seconds after cleaning the filter, 'e' is displayed and the carbon filter timer is reset.
-  **Air filtering function:** If the timer button is pressed for 2 seconds when the fan is turning, the air filtering function is activated. The fan turns at low speed for 10 minutes and stops for 50 minutes when the air filtering function is on. This cycle is repeated for 24 hours. The fan effect is not displayed, instead, "0" is displayed when this function is activated.

Air filtering function is cancelled by pressing the time button for 2 seconds (the fan continues normal operation at speed 1) or by pressing on-off button to stop the motor.



Maintenance instructions

Section 7A

Unplug the product or turn off the switch before commencing maintenance works on the product.

Aluminium filter cleaning:

Aluminium filter is used to trap the oil particles in the air, therefore it is blocked based on the frequency of use and leads to performance loss with the product. Accumulated grease layer poses a risk of catching fire. Therefore, we recommend you to clean your filter once in two weeks. For cleaning, remove the filters as shown in Figure A9, wash with liquid detergent, rinse with water and reinsert after drying. Do not use acidic, corrosive cleaning agents for cleaning the filters. Do not start the product without reinserting the filter. The colour of the filters may change as they are cleaned. This is normal and does not indicate the requirement of filter replacement. We do not recommend you to clean your aluminium filter in dishwasher. If the aluminium filter cannot be cleaned, you can buy a new one from the authorized technical service.



Figure A8

Aluminium filter removal:

Press the aluminium filter lock and remove by pulling down.

Aluminium filter placement:

Place the rear tabs of the aluminium filter in the filter holders in the rear side of the range, and then press the filter lock and push the filter up and place the filter in parallel position to the ground level in order to inset into the filter channel and release the lock.

Halogen lamp replacement:

- Unplug the product and turn off the relevant fuse switch.
- Remove the middle glass holder by using a thin blade screwdriver as shown in the figure.
- Turn the halogen lamp in the arrow direction, pull and remove the lamp and replace with the new one.
- Inset the middle holder by pressing the tabs.
- Connect to the electricity and check whether it functions properly.

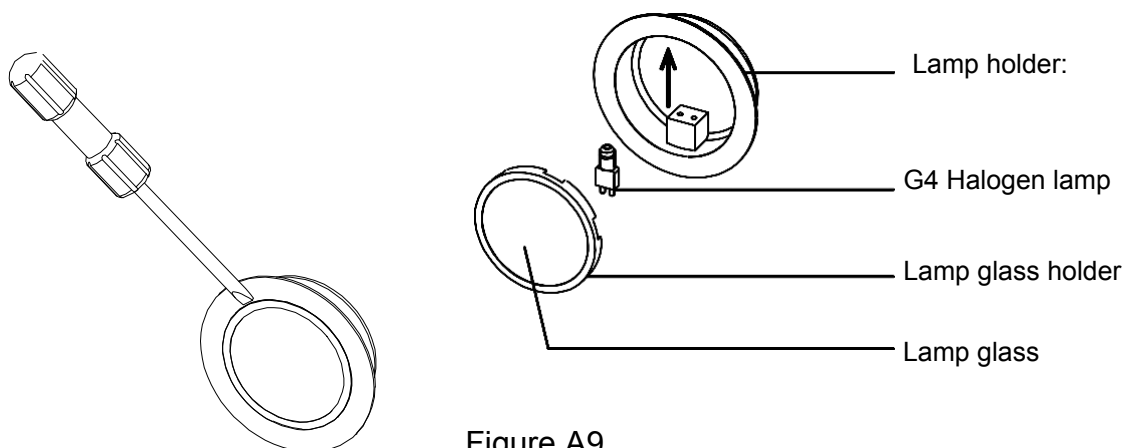


Figure A9



Maintenance instructions

Section 7B

Carbon filter replacement:

Carbon filter is an optional component produced with the purpose of using the range hood without flue connection. If you want to use the product without flue connection, a carbon filter must be purchased from the authorized technical services.

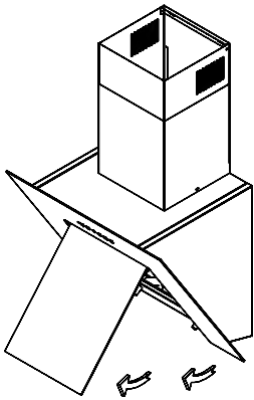


Figure A10



Figure A11



Figure A12

Carbon filter removal:

- 1-Unplug the range hood or turn off the fuse switch.
- 2-Remove the aluminium filter in order to reach to the carbon filter.
- 3- Turn the carbon filter in anti-clockwise direction and remove by pulling to the side as shown in Figure A11.

Carbon filter placement:

Turn the carbon filter in the clockwise direction by pressing on the side as shown in Figure A12.

Cleaning:

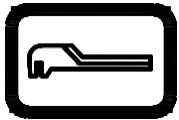
- Use a wet cloth with liquid detergent in order to clean the external surface of the range hood. Do not use corrosive and abrasive cleaning agents.

Caution:

- You may cause fire if you do not follow the rules on filter cleaning and replacement.

Warning:

- Suction performance will be reduced by 30% to 40% when carbon filter is used.
- Carbon filter should not be washed. It should be replaced once in 4 months under normal conditions.
- There is a risk of fire if the oil filters are not cleaned regularly and if the carbon filter is not replaced at the end of its service life (approximately 4 months).



Fault Descriptions

Section 8

Please read the following information carefully before calling an authorized technical service.

Range hood does not function!

- Make sure that the power cable of the equipment is connected to the power socket.
- Check the fuse switches.

Range hood functions but the light is off!

- Unplug the product and check whether the lamps are intact and they are loose.
- There may be a situation stopping the functioning of the light on/off button, please check.

The product performance is low!

- If the product has flue connection, check the connection and make sure the flue outlet is not blocked.
- Check whether the aluminium filter and carbon filter are clean.

The range hood vibrates!

- Make sure that the mounting screws of the equipment are not loose.
- Check whether there are any objects between the range hood and the wall.

The equipment displays 'F'!

- It is the warning for cleaning the aluminium filter, please read the instructions of use carefully for solving the problem.

The equipment displays 'C'!

- It is the warning for cleaning the carbon filter, please read the instructions of use carefully for solving the problem.

Remote Control (optional):



: Motor On/Off



: Lamp On/Off :



: Air Filtering



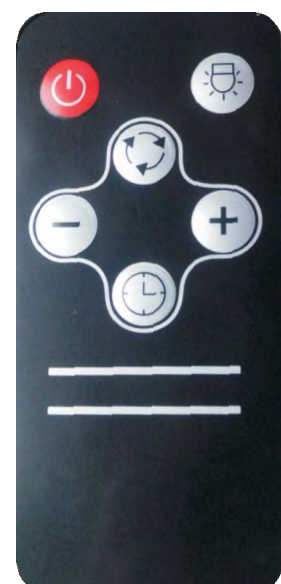
: Speed +



: Speed -



: Timer





Product Guarantee

This product is guaranteed against manufacturing defects for a period of



This product is guaranteed for 12 months from the date of original purchase. Any defect that arises during this period due to faulty materials or workmanship will either be repaired free of charge or replaced.

The guarantee is subject to the following provisions:

- The guarantee does not cover accidental damage, misuse, cabinet parts, knobs or consumable items.
- The product must be correctly installed and operated in accordance with the instructions contained in this manual.
- It must be used solely for domestic purpose
- The guarantee will be rendered invalid if the product is re-sold or has been damaged by inexpert repair.
- Specifications are subject to change without notice
- The manufacturer disclaims any liability for the incidental or consequential damages.
- The guarantee is in addition to, and does not diminish your statutory or legal rights.
- In the event of a problem with the product with in the guarantee period call :
Argos Product Support 01759 487838.

Guarantor: Argos Ltd
489 - 499 Avebury Boulevard
Central Milton Keynes
MK9 2NW