

# Wow Walker Chair

Assembly Instructions - Please keep for future reference

481/8401

451/9872

481/1752



## Dimensions

Width - 59.5 cm

Depth - 61 cm

Height - 101~110.5 cm

**Important** - Please read these instructions fully before starting assembly

If you need help or have damaged or missing parts, call the **customer helpline: 0345 6400800**



# Safety and Care Advice

## Important - Please read these instructions fully before starting assembly

- Check you have all the components and fittings.
- Remove all fittings from the plastic bags and separate them into their groups.
- Keep children and animals away from the work area, small parts could choke if swallowed.
- Make sure you have enough space to layout the parts before starting.

- Do not stand or put weight on the product during assembly, this could cause damage.
- Assemble the item as close to its final position (in the same room) as possible.
- Assemble on a soft level surface to avoid damaging the unit or your floor.
- Parts of the assembly will be easier with 2 people.



- We do not recommend the use of power drill/drivers **for inserting screws**, as this could damage the unit. only use hand screwdrivers.
- Dispose of all packaging carefully and responsibly.

## Care and maintenance

- Only clean using a damp cloth and mild detergent, do not use bleach or abrasive cleaners.
- To avoid any risk of suffocation to animals or children dispose of the plastic bags immediately.

- From time to time check that there are no loose screws on this unit.

- This product should not be discarded with household waste. Take to your local authority waste disposal centre.

# Components - Panels

If you have damaged or missing components, call the Customer Helpline: Argos = 0345 6400800

Please check you have all the components listed below

1 5 x Castor



2 1 x Base



3 1 x Gas lift



4 1 x Cover



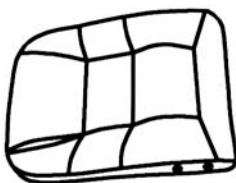
5 1 x Seat support



6 1 x Seat cushion



7 1 x Backrest



8 2 x Armrest



# Components - Fittings

If you have damaged or missing components, call the Customer Helpline: Argos = 0345 6400800

Please check you have all the fittings listed below

**Note:** The quantities below are the correct amount to complete the assembly. In some cases more fittings may be supplied than are required.

A 4 x Screw



1/4 x 20mm

B 8 x Screw



1/4 x 25mm

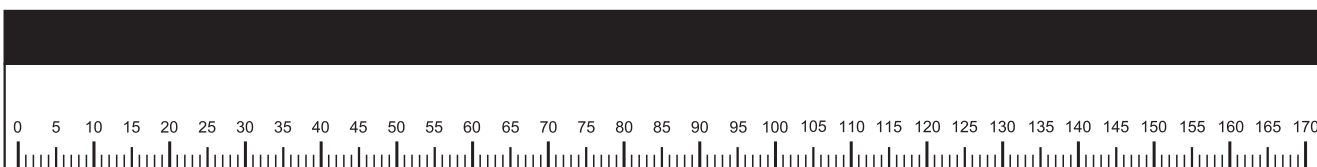
C 8 x Plastic cover



## Tools required



Allen key 1 X M5 30mm/80mm



# Assembly Instructions

## Step 1

### Fitting the Base

a: Push all the five Castors **1** into the underside of the Base **2**.

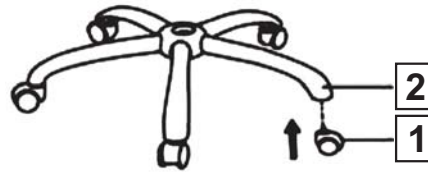
**NOTE: Ensure the Casters are fully inserted.**

b: Insert the Gas lift **3** into the base.

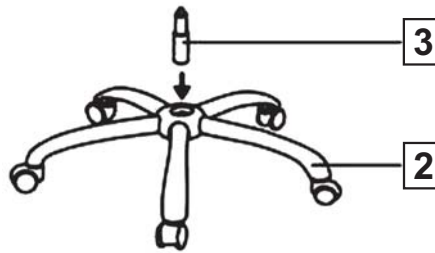
**NOTE: Ensure the Gas lift is fully inserted and well fitted.**

c: Slide the Cover **4** into the base.

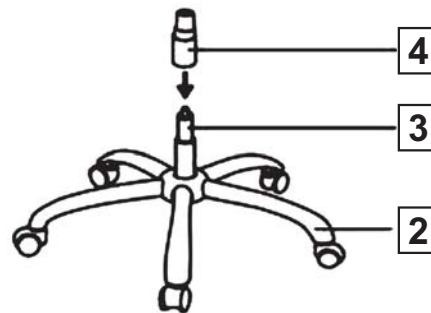
a:



b:



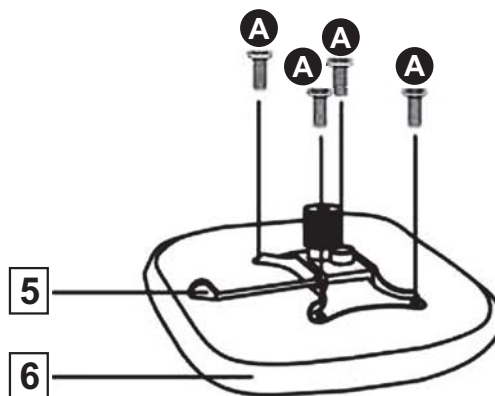
c:



## Step 2

### Fitting the Seat support

Use screws **A** to fix the Seat support **5** onto the seat cushion **6**. Ensure the seat support is firmly fitted onto the seat cushion.



# Assembly Instructions

## Step 3

### Fitting the armrest

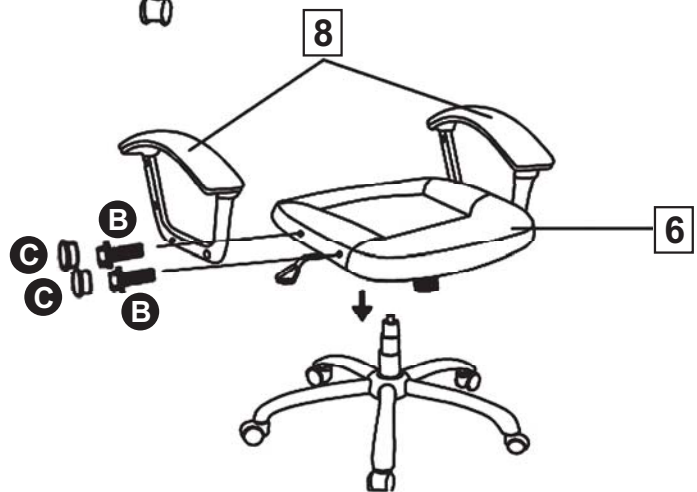
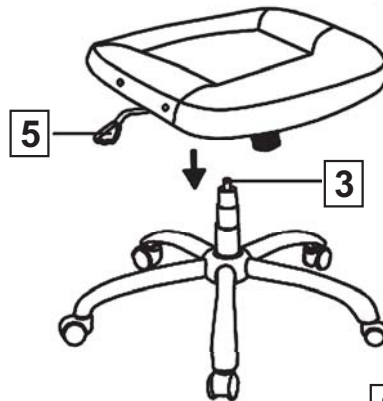
**NOTE:** It would be useful to ask someone to help you at this stage.

a: Put seatplate **5** onto gas lift **3** firmly

b: Carefully attach the screw **B** to link the armrest **8** with seat cushion **6** on each side, then put the screw covers **C** on the Screw holes.

**Note:** Please don't tighten up the screws before you line all the screw holes up.

a:

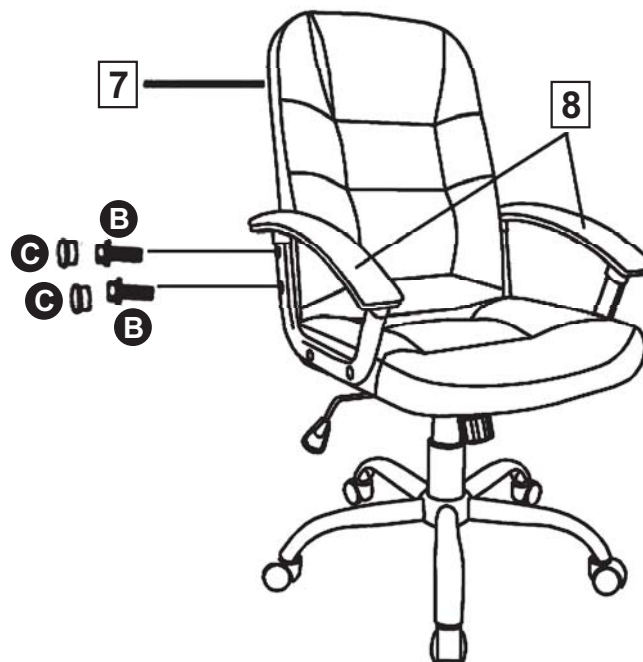


## Step 4

### Finishing the Unit

Carefully link the backrest **7** with armrest **8** by using screw **B**, then put the cover **C** on it  
A rubber hammer is recommended to fix the plastic covers

**Note:** Please don't tighten up the screws before you line all the screw holes up.



**NOTE:** If you have damaged or missing components, call the **Customer Helpline: 03456 400800**  
**Argos Limited** Group, 489-499 Avebury Boulevard, Central Milton Keynes, MK9 2NW