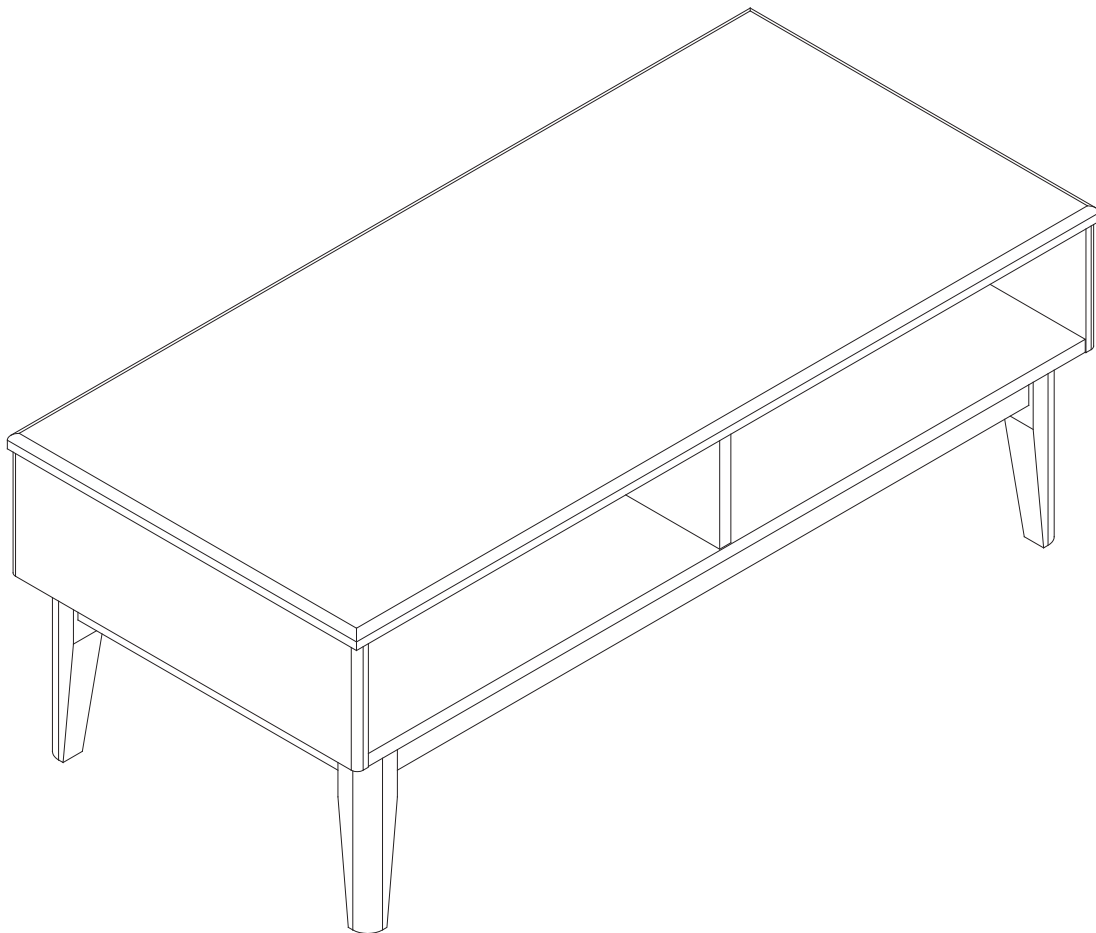


SKYE WOOD / WHITE COFFEE TABLE

Assembly Instructions - Please keep for future reference

481/5136(D)



Dimensions

Width - 100 cm
Depth - 47 cm
Height - 38 cm

Important - Please read these instructions fully before starting assembly

If you need help or have damaged or missing parts, call the

Customer Helpline: 0345 6400 800



Safety and Care Advice

Important – Please read these instructions fully before starting assembly

Check you have all the components and tools listed on pages 2 and 3.

Remove all fittings from the plastic bags and separate them into their groups.

Keep children and animals away from the work area, small parts could choke if swallowed. Make sure you have enough space to layout the parts before starting.

Assemble the item as close to its final position (in the same room) as possible.

Assemble on a soft level surface to avoid damaging the unit or your floor.

Assembly requires 2 people.

Keep this instructions for future use.

Do not stand or put excessive weight on the product, this could cause damage.



We do not recommend the use of power drill/drivers **for inserting screws**,

as this could damage the unit. Only use hand screwdrivers and Allen keys.

Dispose of all packaging carefully and responsibly.

Care and maintenance

Only clean using a damp cloth and mild detergent, do not use bleach or abrasive cleaners.

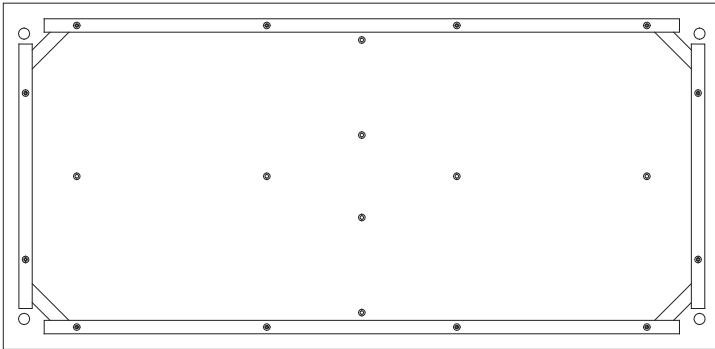
From time to time check that there are no loose screws on this unit.

This product should not be discarded with household waste. Take to your local authority waste disposal centre.

Components - Parts

If you have damaged or missing components.
call the **Customer Helpline**: 0345 6400 800

Please check you have all the parts listed below



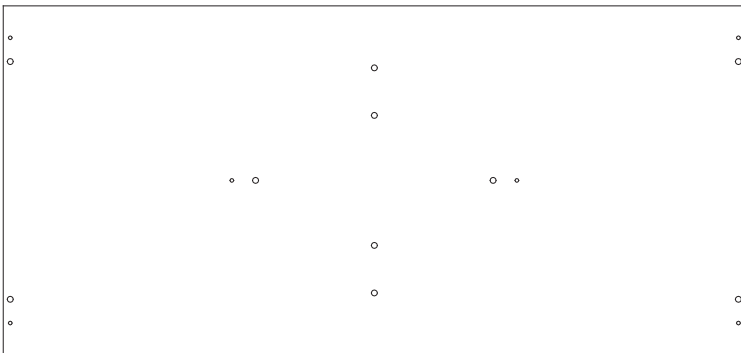
1 Bottom x 1
(96.6x46.6x6cm)



2 Short Partition x 2
(22.4x13.0x1.5cm)



3 Long partition x 1
(96.6x13x1.5cm)



4 Side Panel x 2
(46.8x14.5x1.5cm)



5 Top panel x 1
(100x47x1.8cm)

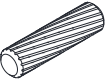

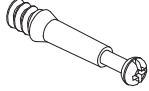
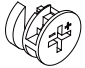


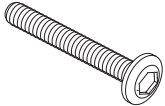

6 Legs x 4
(21.5x4x4cm)

Components - Fittings

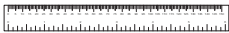
If you have damaged or missing components, call the **Customer Helpline: 0345 6400 800**

Please check you have all the fittings listed below

Note: The quantities below are the correct amount to complete the assembly. In some cases more fittings may be supplied than are required.

<p>A</p>  <p>Dowel x 22</p>	<p>B</p>  <p>Wood screw x 8</p>	<p>C</p>  <p>Cam-bolt x 10</p>
<p>D</p>  <p>Cam-lock x 10</p>	<p>E</p>  <p>Protector x 4</p>	<p>F</p>  <p>Allen Key x 1</p>
<p>G</p>  <p>Hexagon screw x 4</p>	<p>H</p>  <p>Washer x 4</p>	

Tools required

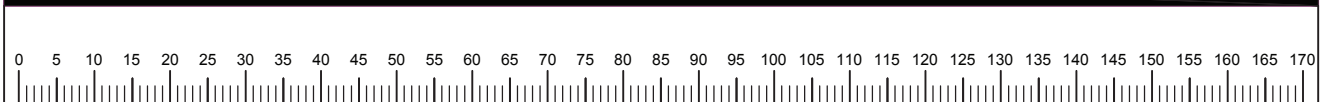


Ruler/tape measure
(Not supplied)



Phillips screwdriver
(Not supplied)

Ruler - Use this ruler to help correctly identify the screws



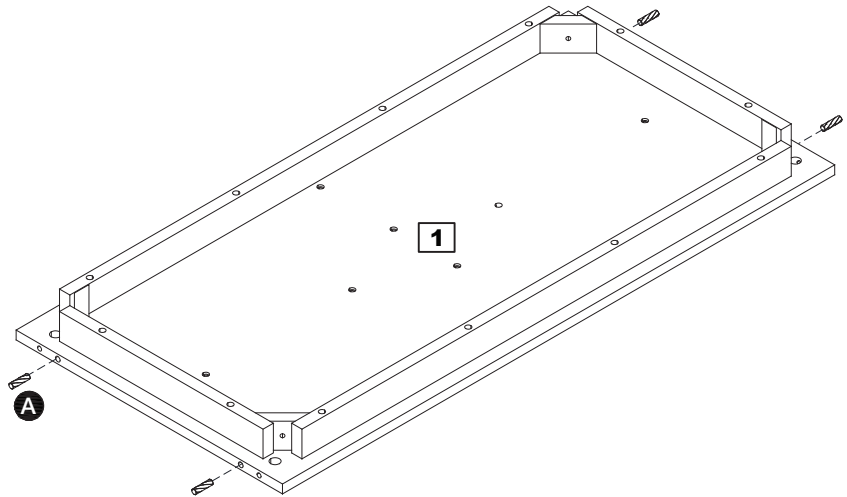
Assembly Instructions

Step 1

Preparing bottom.

Place bottom **1** flat onto the floor with the fixing holes facing up.

Insert dowels **A** into Panel **1** as shown.

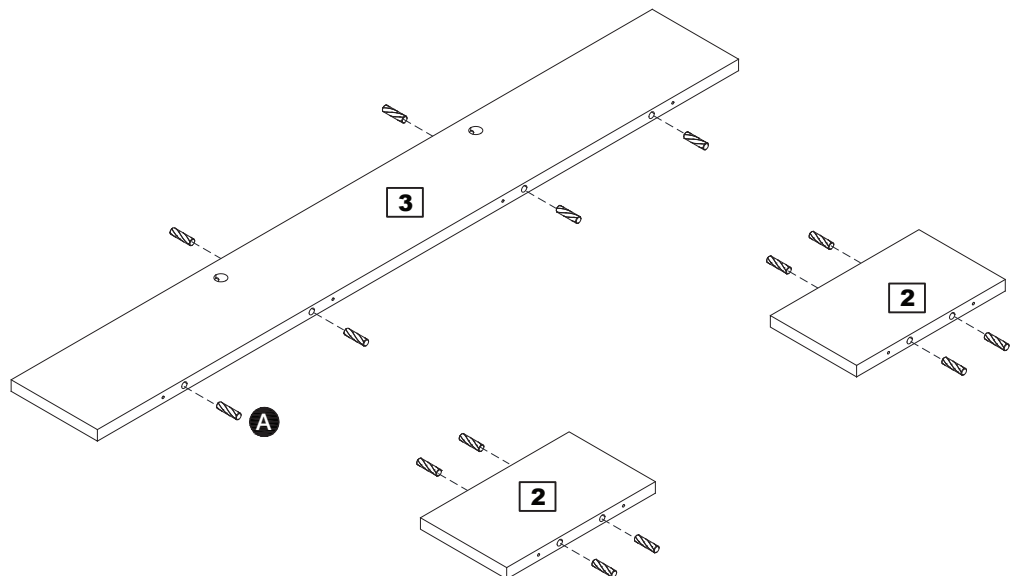


Step 2

Assembling divider

Place long partition **3** and short partition **2** flat onto the floor with the fixing holes facing up.

Insert dowels **A** into Panel **2** and **3** as shown.



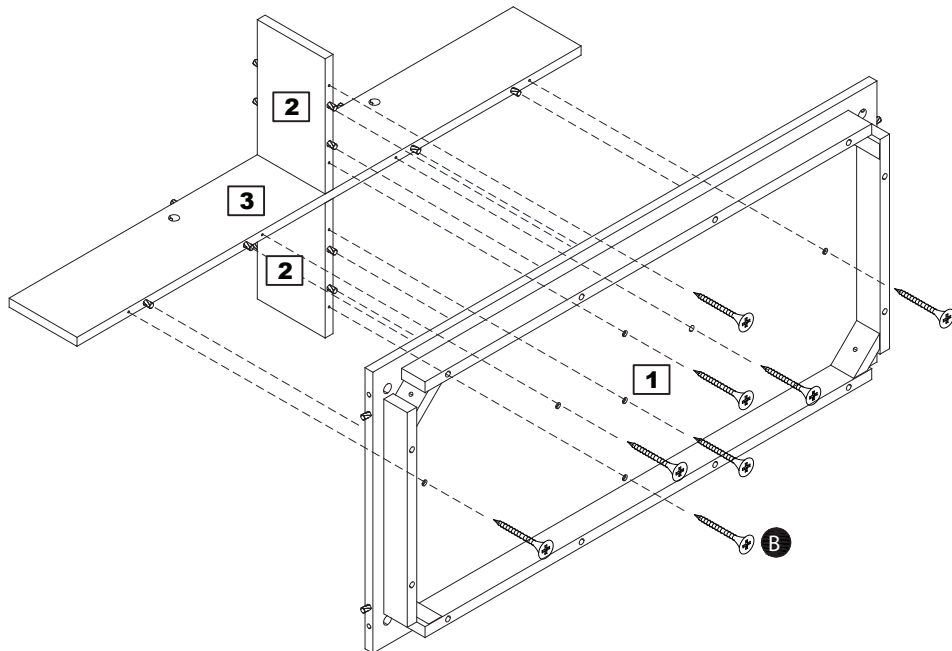
Assembly Instructions

Step 3

Fix dividers onto the bottom.

Put dividers **2**, **3** onto bottom **1**, fix them with wood screws **B**.

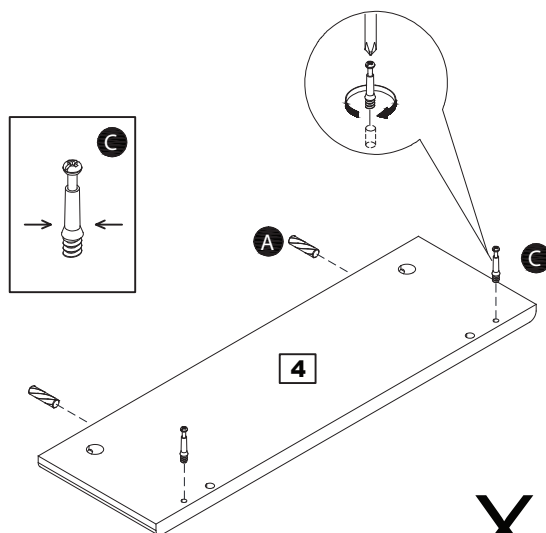
Note : Do not over-tighten.



Step 4

Preparing side panel

Fix dowels **A** and Cam-bolt in side panel as shown.



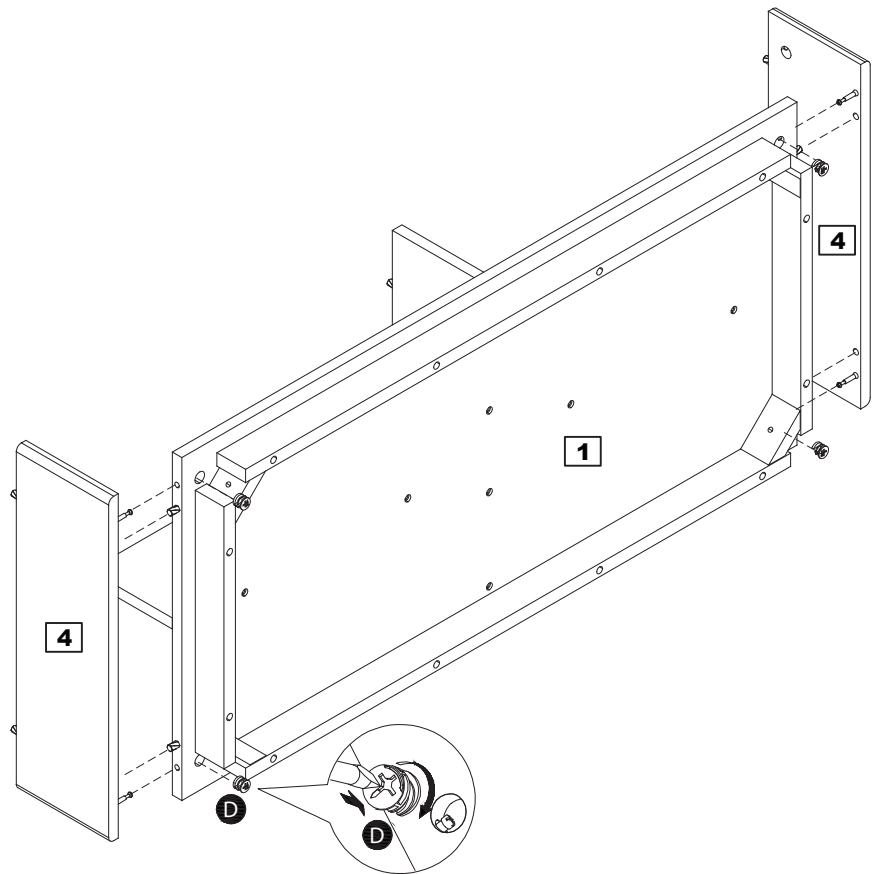
X 2

Assembly Instructions

Step 5

Assembling side panel

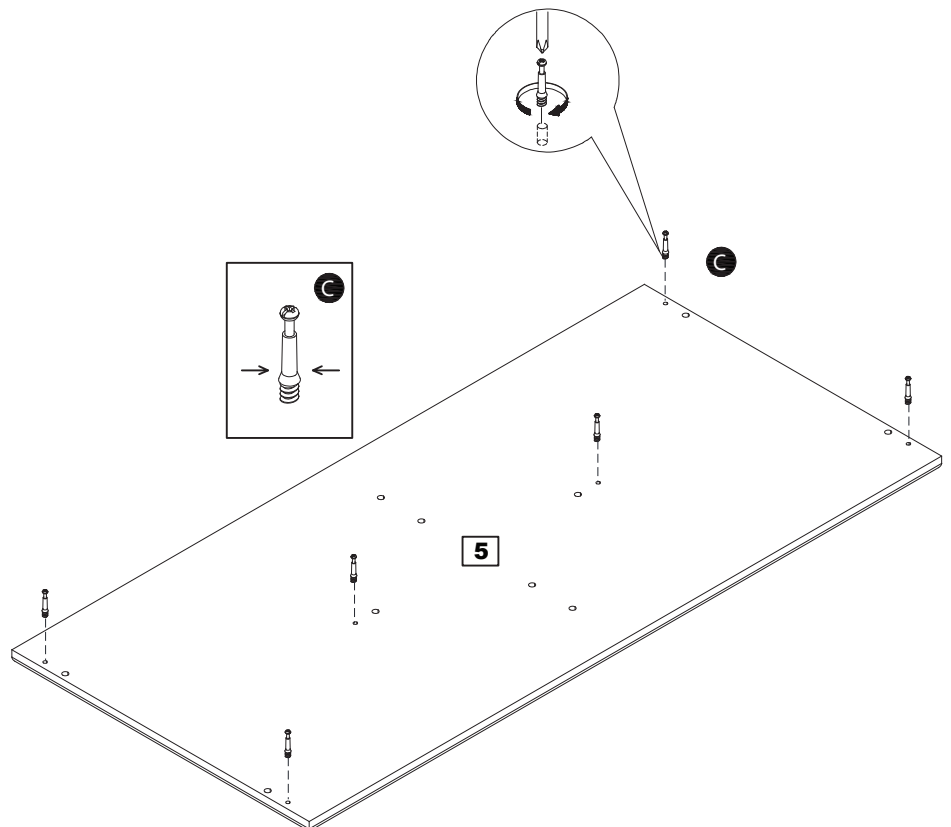
Put side panel **4** onto bottom as shown. Lock them with cam-lock **D**.



Step 6

preparing side panel

Fix cam-bolts **C** onto top panel **5** as shown.

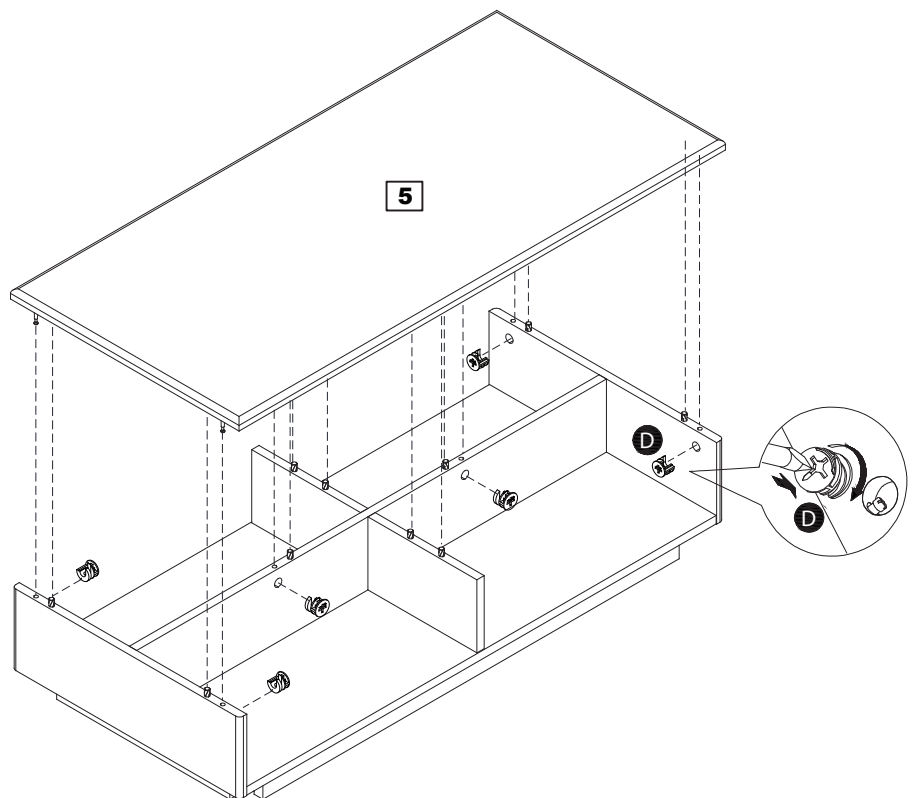


Assembly Instructions

Step 7

Fix top panel

Put top panel **5** onto side panel and dividers as shown. Lock them with Cam-lock **D**.

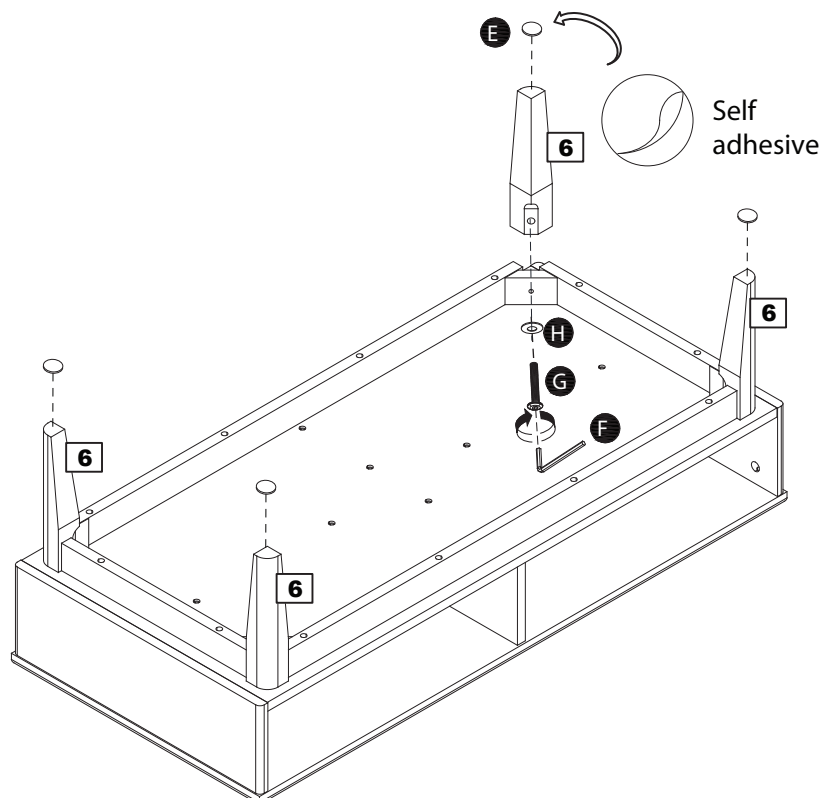


Step 8

Assembling legs

Turn the product upside down. Fix legs **6** with Hexagon screws **G** and washers **H** as shown. Stick protectors on legs.

Note : Do not over-tighten.



Assembly is complete.

If you need help or have damaged or missing parts, call the **Customer Helpline: 0345 6400 800**
Home Retail Group, 489-499 Avebury Boulevard, Saxon Gate West, Central Milton Keynes, MK9 2NW