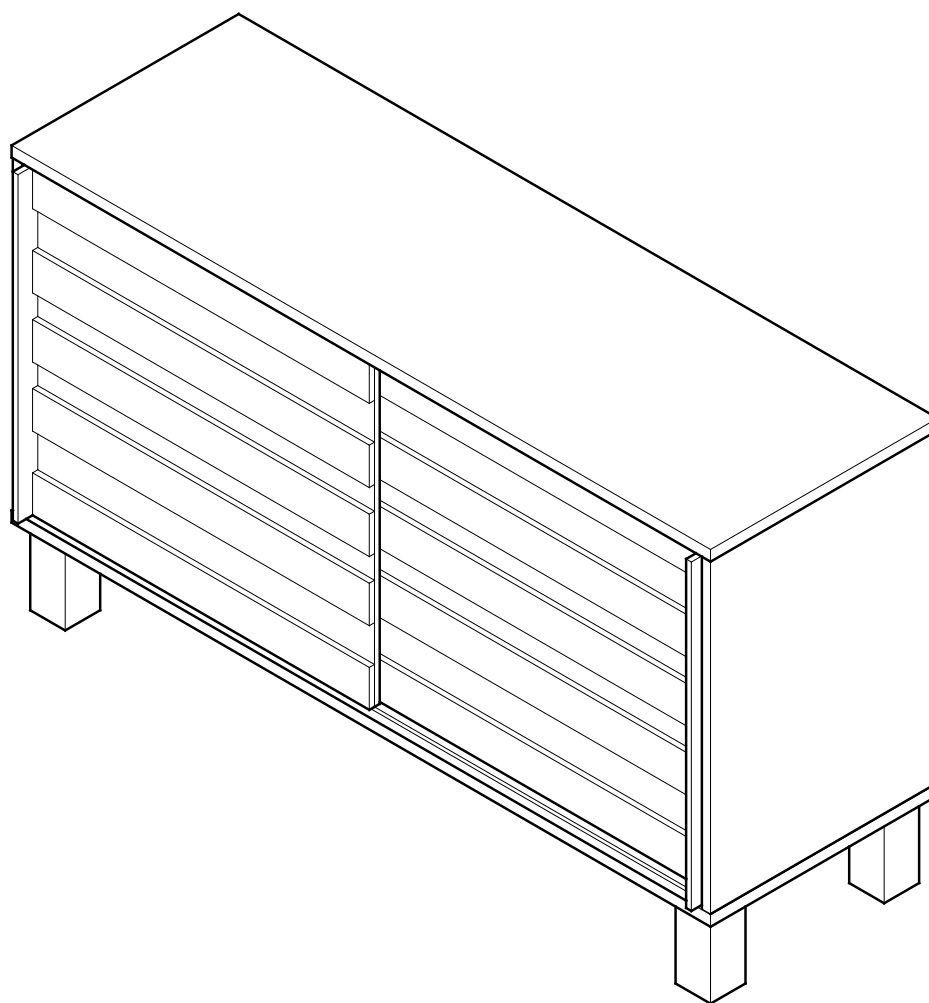


Hygena Genoa Slatted Sideboard

Assembly Instructions - Please keep for future reference

481/2380D



Dimensions

Width - 120cm

Depth - 40cm

Height - 69cm

Important – Please read these instructions fully before starting assembly

If you need help or have damaged or missing parts, call the Customer Helpline: 03456 400800



Safety and Care Advice

Important – Please read these instructions fully before starting assembly

- Check you have all the components and tools listed on pages 2 & 3.
- Remove all fittings from the plastic bags and separate them into their groups.
- Keep children and animals away from the work area, small parts could choke if swallowed.
- Make sure you have enough space to layout the parts before starting.

- Do not stand or put weight on the product, this could cause damage.
- Assemble the item as close to its final position (in the same room) as possible.
- Assemble on a soft level surface to avoid damaging the unit or your floor.
- Parts of the assembly will be easier with 2 people.



- We do not recommend the use of power drill/drivers for inserting screws, as this could damage the unit. Only use hand screwdrivers.
- Dispose of all packaging carefully and responsibly.

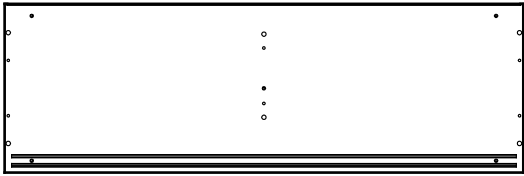
Care and maintenance

- Only clean using a damp cloth and mild detergent, do not use bleach or abrasive cleaners.
- From time to time check that there are no loose screws on this unit.
- This product should not be discarded with household waste. Take to your local authority waste disposal centre.

Note: if require the next page can be cut out and used as reference throughout the assembly. Keep this page with these instructions for future reference.

Components - Panels

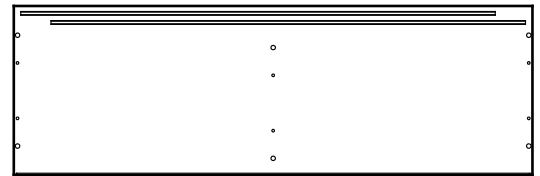
Please check you have all the panels listed below



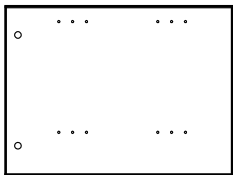
1 Bottom panel
(1200 x 390 mm)



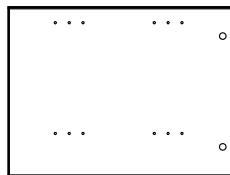
2 Foot x 5
(60 x 60 mm)



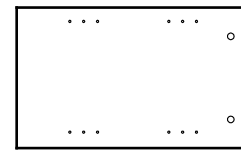
3 Top panel
(1200 x 390mm)



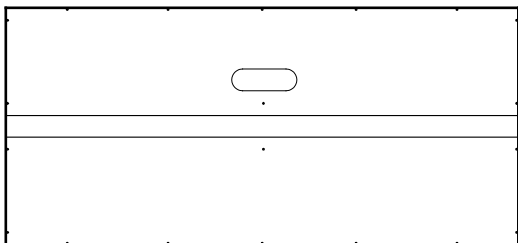
4 Left side panel
(524 x 389mm)



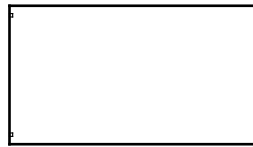
5 Right side panel
(524 x 389mm)



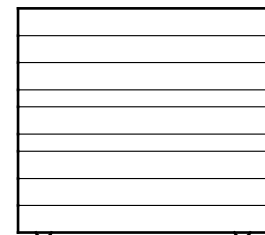
6 Divider
(524 x 325mm)



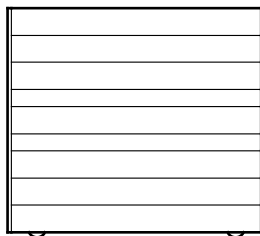
7 Rear panel
(1186 x 548mm)



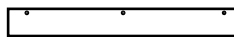
8 Adjustable shelf x 4
(573 x 320mm)



9 Right side door
(578 x 518mm)



10 Left side door
(587 x 518mm)



11 Right side door rail
(518 x 61mm)


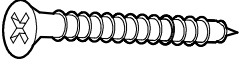
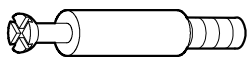
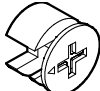
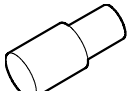
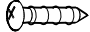
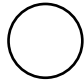
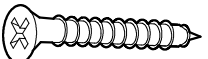

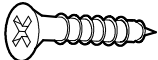


Components - Fittings

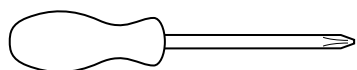
If you have damaged or missing components, call the **Customer Helpline: 03456 400800**

Please check you have all the fittings listed below

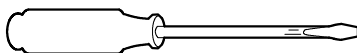
Note: The quantities below are the correct amount to complete the assembly. In some cases more fittings may be supplied than are required.

A  Large wood dowel x 10	B  50mm Screw x 5	C  Metal dowel x 6
D  Metal cam x 6	E  Shelf pin x 16	F  14 mm Screw x 20
G  Cover pad x 9	H  40mm Screw x 6	I  Small wood dowel x 12
J  25mm Screw x 3		

Tools required

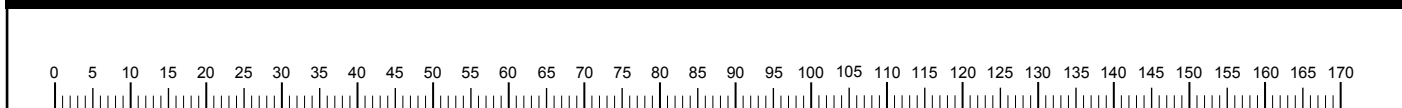


Phillips screwdriver
(medium & small)



Flatblade screwdriver

Ruler - Use this ruler to help correctly identify the screws



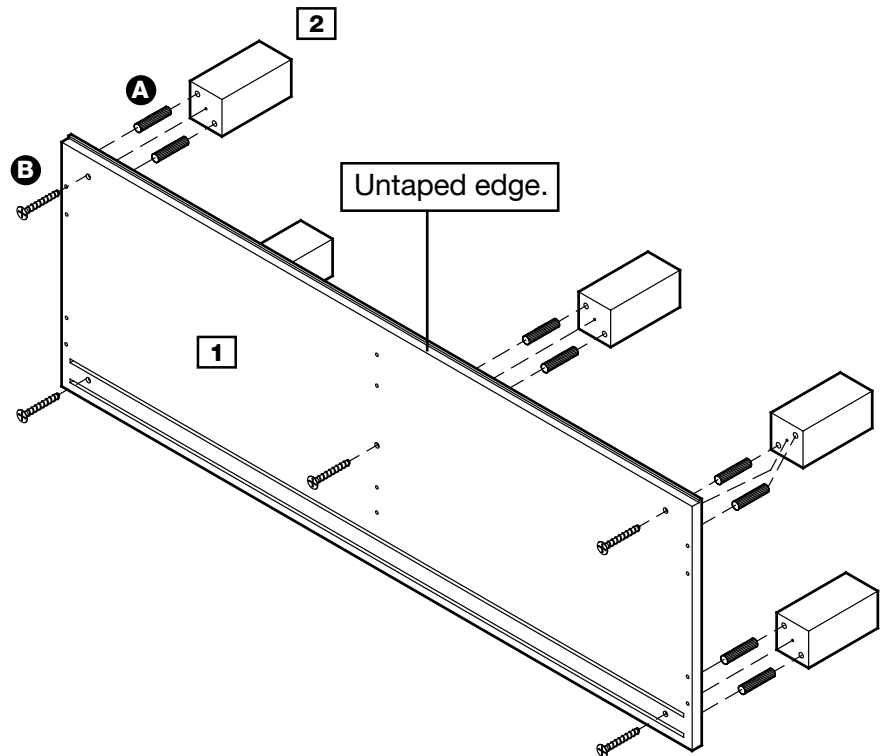
Assembly Instructions

Step 1

Lay Bottom Panel **1** on its long taped edge on a flat soft surface.

Push Large wood dowels **A** into indicated holes in Bottom panel.

Push Legs **2** onto the wood dowels in Bottom panels and fasten using 50mm Screws **B**.

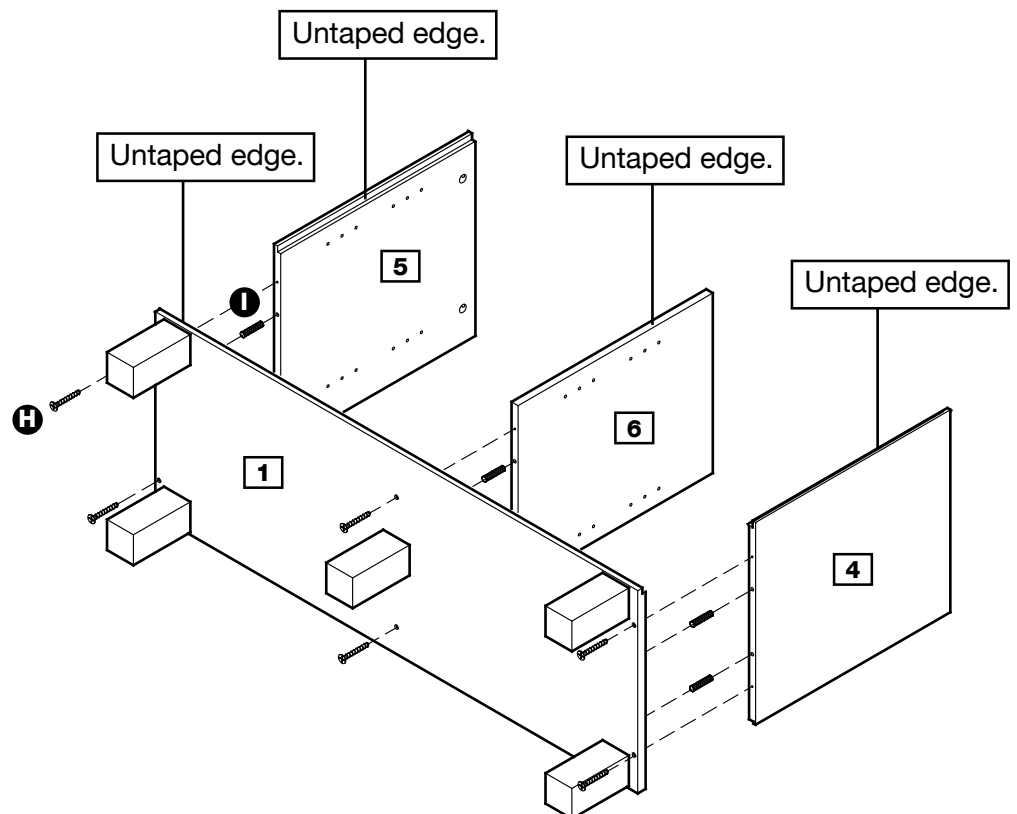


Step 2

Lay Side Panels **4** **5** and Divider **6** on their taped edges on a flat soft surface.

Push Wood dowels **I** into ends of side panels **4** **5** and **6**.

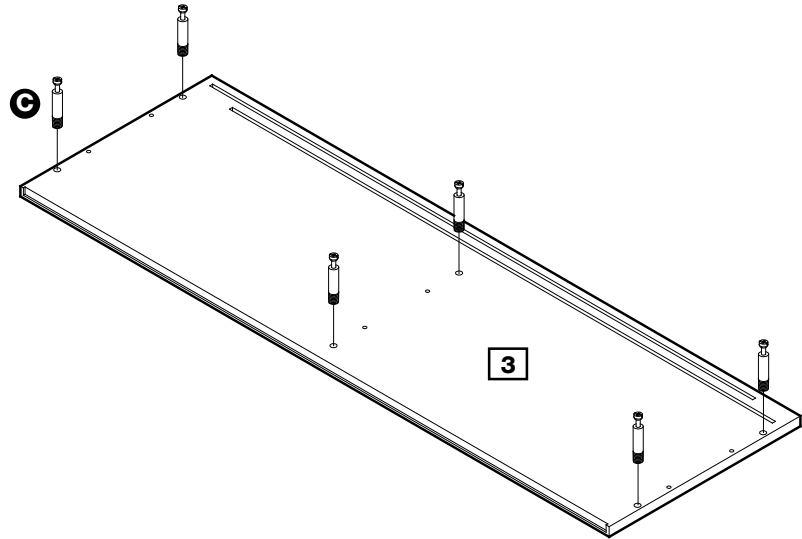
Push Bottom panel **1** onto the wood dowels in the end of panels and fasten using 40mm Screws **H**.



Assembly Instructions

Step 3

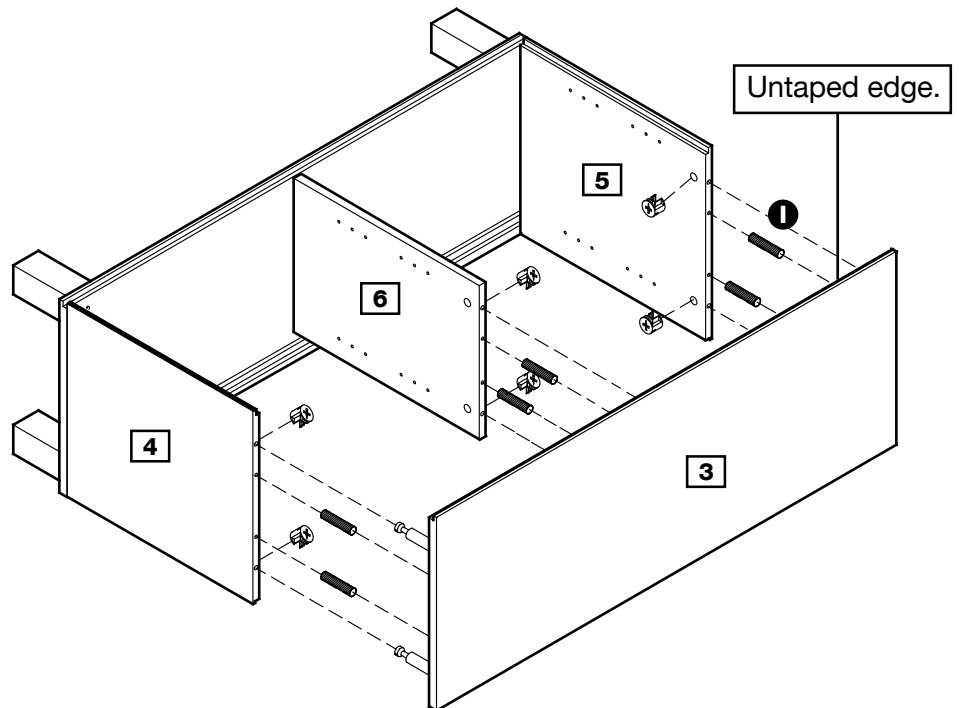
Screw 6 Metal dowels **C** into the threaded holes in Top Panel **3** as shown.



Step 4

Insert Small wood dowels **I** into the middle holes in Side panels and Divider.

Firmly push the Top Panel **3** onto the ends of the panels **4**, **5** and **6**, ensuring the Metal dowels **C** and wood dowels **I** enter corresponding holes.



Step 5

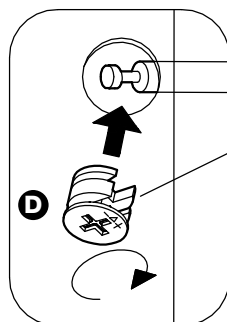
Insert the 6 Metal Cams **D** into the 6 holes on the Panels **4**, **5**, **6** so that they are flush.



Note: Longer leg of the cross on the Metal Cams must face towards end of panel (as shown).

Then, using a Philips Screwdriver, screw all 6 Metal Cams **D** clockwise until they are 'hand tight'.

Turn the unit upright, cover all visible cam holes with Cover pads **G**.



Note: Longer leg of the cross on the Metal Cams must face towards end of panel.

Assembly Instructions

Step 6

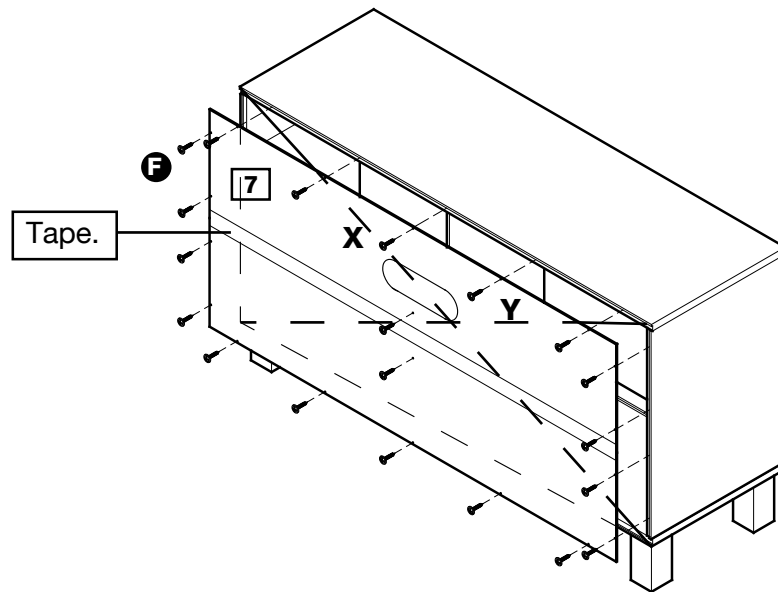
Unfold Rear Panel **7** .

Secure the Rear Panel **7** into the rear edges of side panels, top panel and bottom panel using 14mm Screws **F** .



Note - make sure cabinet is square before securing rear panel in place.

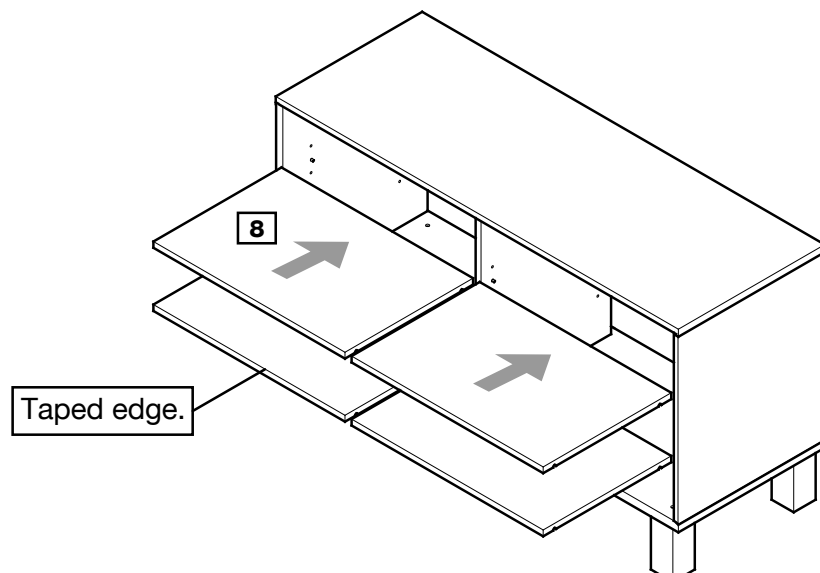
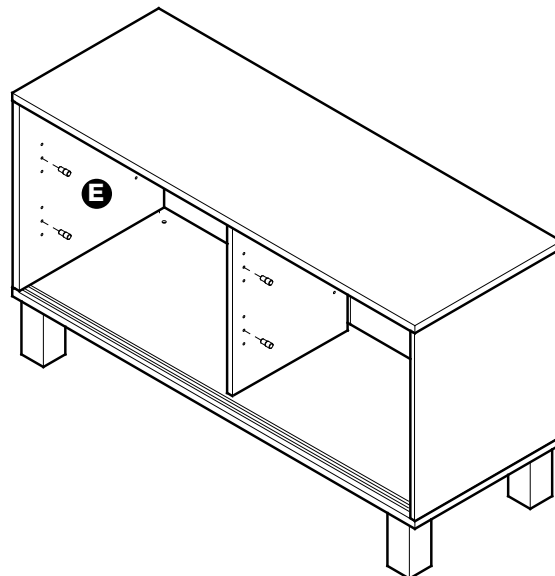
Measure on the back across the 2 diagonals to make sure cabinet is square.



Step 7

Push 4 Shelf Pins **E** into each side of the side panels and divider at desired height.

Place adjustable shelves **8** onto the Shelf Pins.



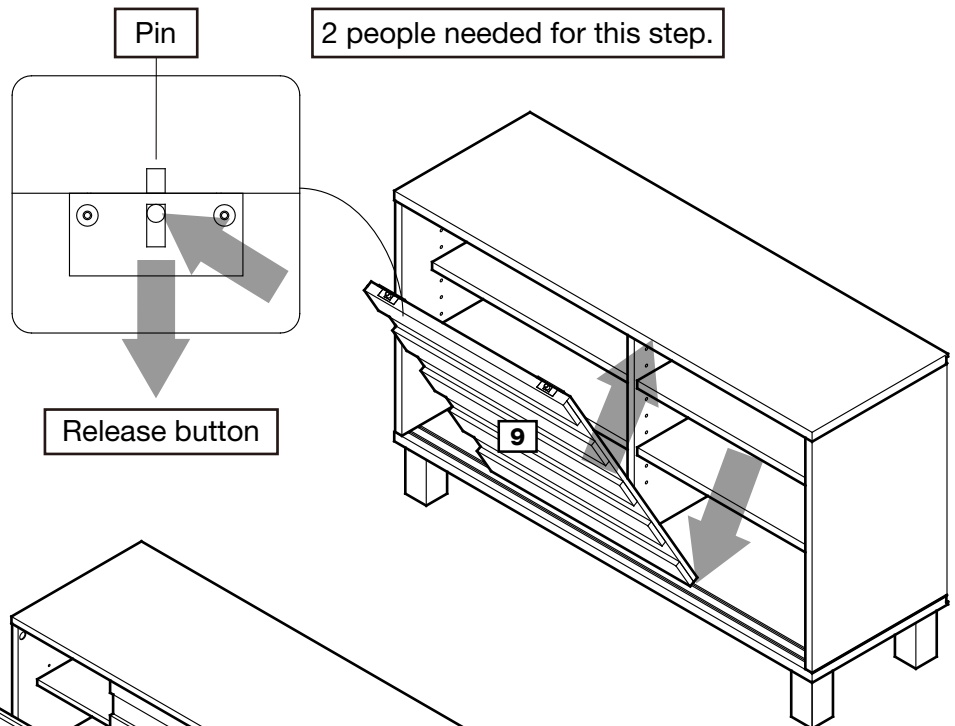
Assembly Instructions

Step 8

Make sure the pin in the top lock in the Door **9** is down, if not, push it down until it locks.

Insert the bottom rollers of Door **9** in the inner groove in the bottom panel, holding the door and push the top edge to line up with the inner groove in top panel.

Push the release button to release the pin into the top inner groove.

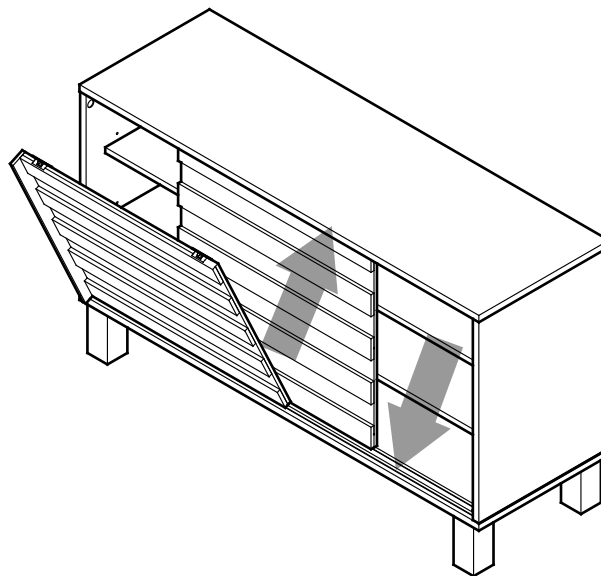


Step 9

Make sure the pin in the top lock in Left side door **10** is down, if not, push it down until it locks.

Insert the bottom rollers of Door **10** in the outer groove in the bottom panel, holding the door and push the top edge to line up with the outer groove in top panel.

Push the release button to release the pin into the top outer groove.

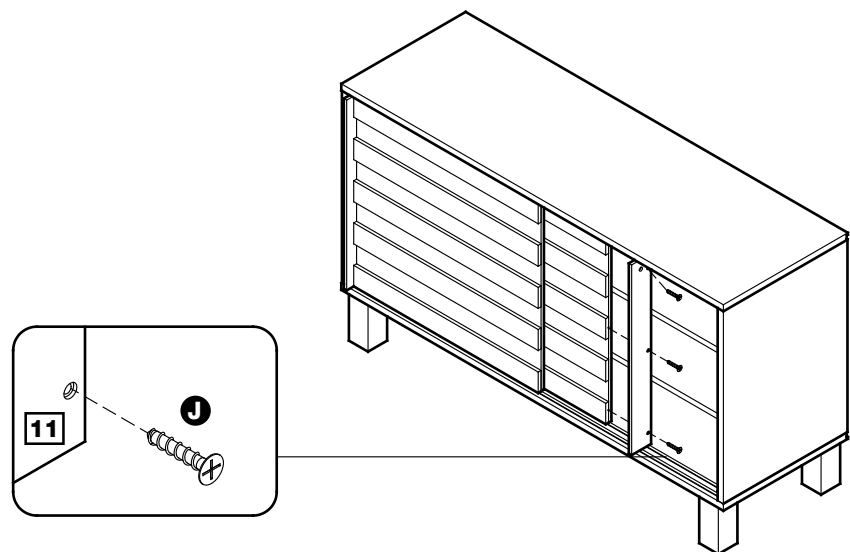


Step 10

Secure Right side door rail **11** on to the Right side door **9** using Screws **J** from the counter sunk hole as shown.

Cover the visible screw holes with Cover pads **G**.

Assembly is complete.



If you need help or have damaged or missing parts, call the Customer Help Line: 03456 400800
Home Retail Group plc. Avebury, 489-499 Avebury Boulevard. Milton Keynes. MK9 2NW