

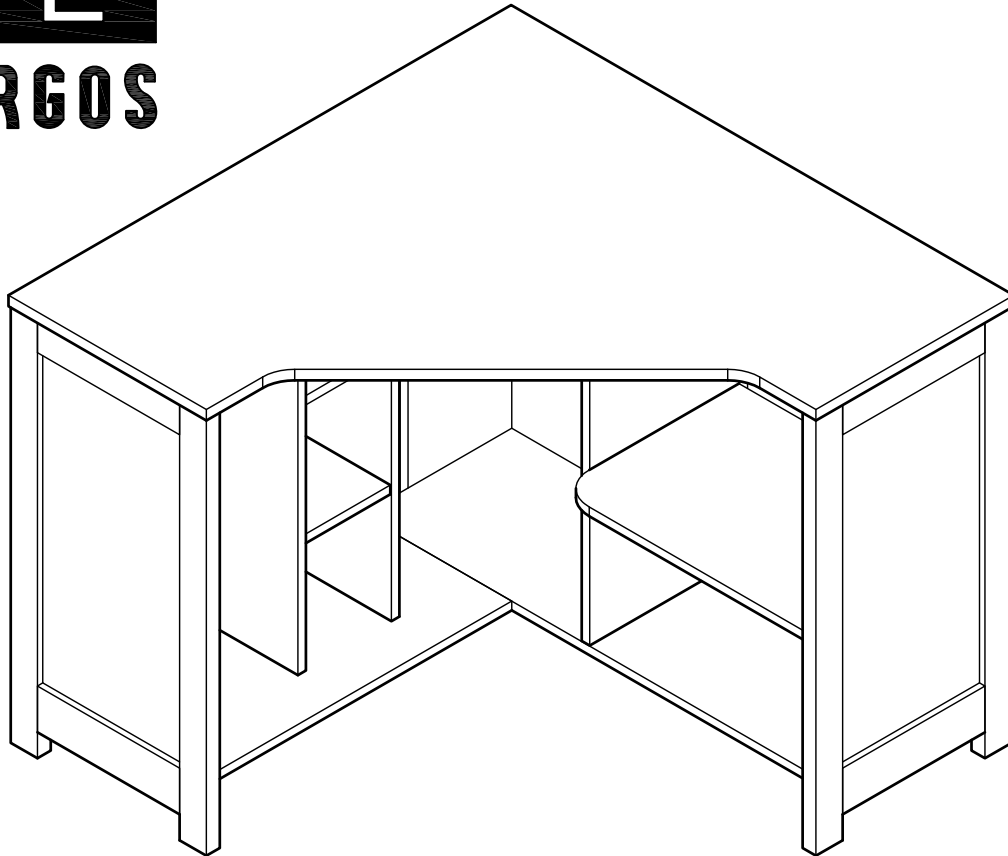
Conrad Corner Desk

Assembly Instructions - Please keep for future reference

481/1659

631/5854

H O
M E
BY ARGOS



Dimensions

Width - 94cm

Depth - 94cm

Height - 73cm

Important - Please read these instructions fully before starting assembly

If you need help or have damaged or missing parts, call the **Customer Helpline: 03456 400800**



Safety and Care Advice

Important - Please read these instructions fully before starting assembly

- Check you have all the components and tools listed on the following pages.
- Remove all fittings from the plastic bags and separate them into their groups.
- Keep children and animals away from the work area, small parts could choke if swallowed.
- Make sure you have enough space to layout the parts before starting.

- During assembly do not stand or put weight on the product, this could cause damage.
- Assemble the item as close to its final position (in the same room) as possible.
- Assemble on a soft level surface to avoid damaging the unit or your floor.
- Parts of the assembly will be easier with 2 people.



- To reduce the likelihood of damaging your product please ensure that your power drill is set on a low torque setting.

Care and maintenance

- Only clean using a damp cloth and mild detergent, do not use bleach or abrasive cleaners.
- From time to time check that there are no loose screws on this unit.
- This product should not be discarded with household waste. Take to your local authority waste disposal centre.

Handy Hints

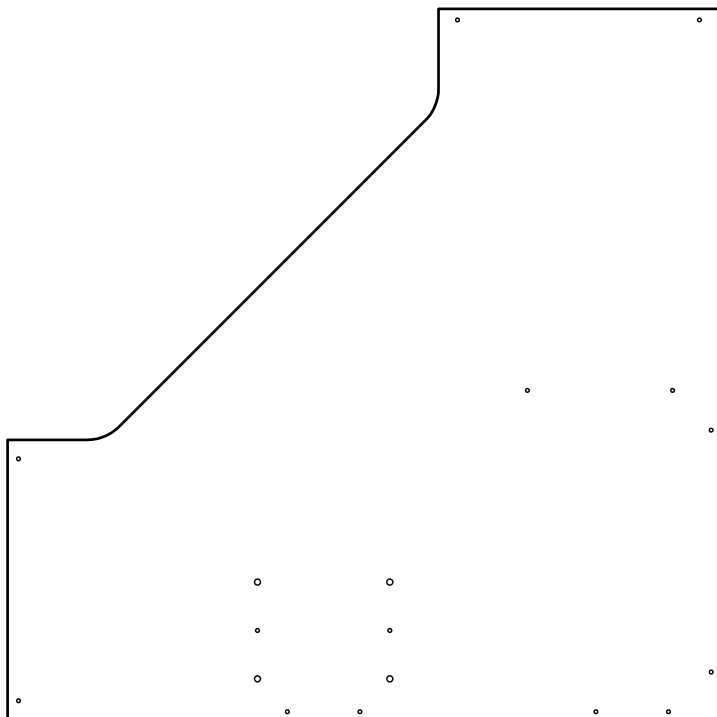
- Assemble all parts and bolts loosely during assembly, only once the product is complete should you fully tighten the bolts.
- Regularly check and ensure that all bolts and fittings are tightend properly.

Note: If required the next page can be cut out and used as reference throughout the assembly. Keep this page with these instructions for future reference.

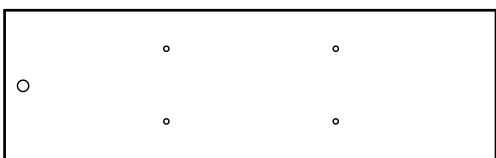
Components - Panels

If you have damaged or missing components, call the **Customer Helpline: 03456 400800**

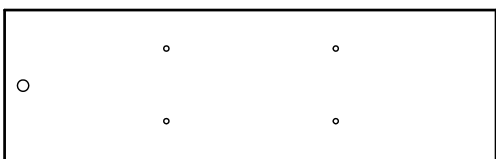
Please check you have all the panels listed below



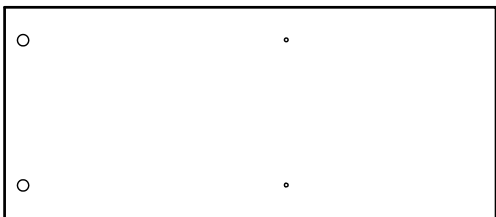
1 Top panel (94 x 94cm)



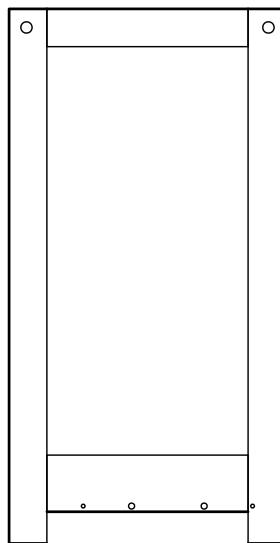
4 Small Left middle side panel (65 x 20cm)



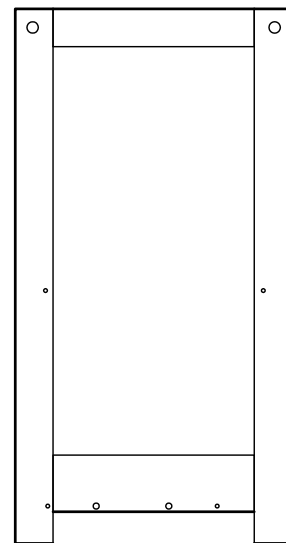
5 Small Right middle side panel (65 x 20cm)



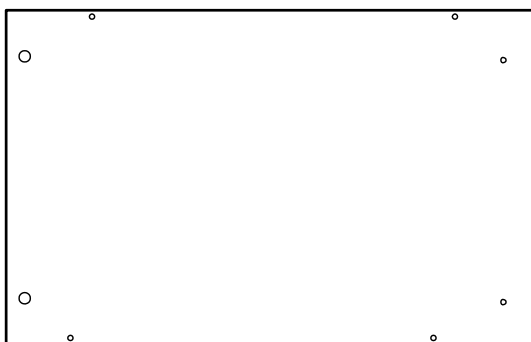
6 Right middle side panel (65 x 27.9cm)



2 Left side panel (70.7 x 36.6cm)



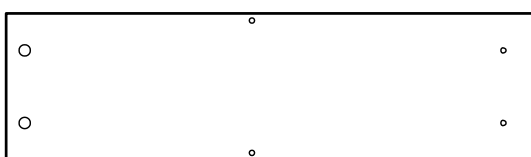
3 Right side panel (70.7 x 36.6cm)



7 Right back (70.7 x 44.2cm)



8 Left back A (70.7 x 19.4cm)



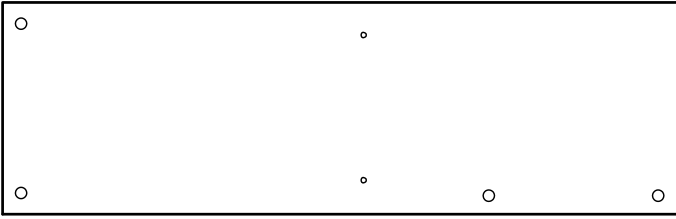
9 Left back B (70.7 x 19.4cm)



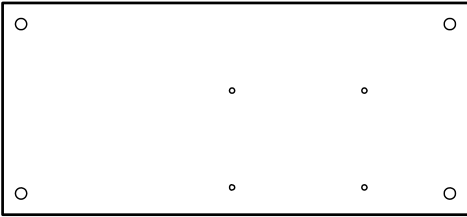
Components - Panels

If you have damaged or missing components, call the **Customer Helpline: 03456 400800**

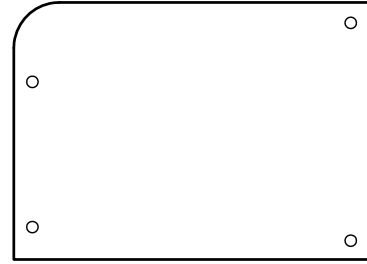
Please check you have all the panels listed below



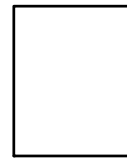
10 Right bottom panel (89.5 x 28cm)



11 Left bottom panel (61.6 x 28cm)



12 Right fixed panel (47 x 34cm)



13 Left fixed panel x 2 (16 x 19.8cm)

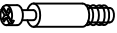

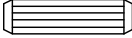
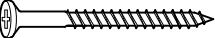

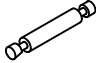


Components - Fittings

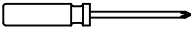
If you have damaged or missing components, call the **Customer Helpline: 03456 400800**

Please check you have all the fittings listed below

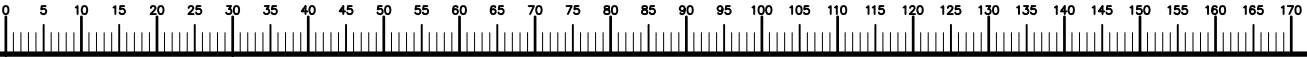
Note: The quantities below are the correct amount to complete the assembly. In some cases more fittings may be supplied than are required.

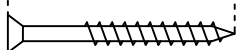
A  Locking pin x 22	B  Locking nut x 26	C  Dowel x 10
D  57mm Screw x 26	E  Cover stickers x 16	F  Locking pin x 2

Tools required

 Phillips screwdriver
(medium & large)

Ruler - Use this ruler to help correctly identify the screws





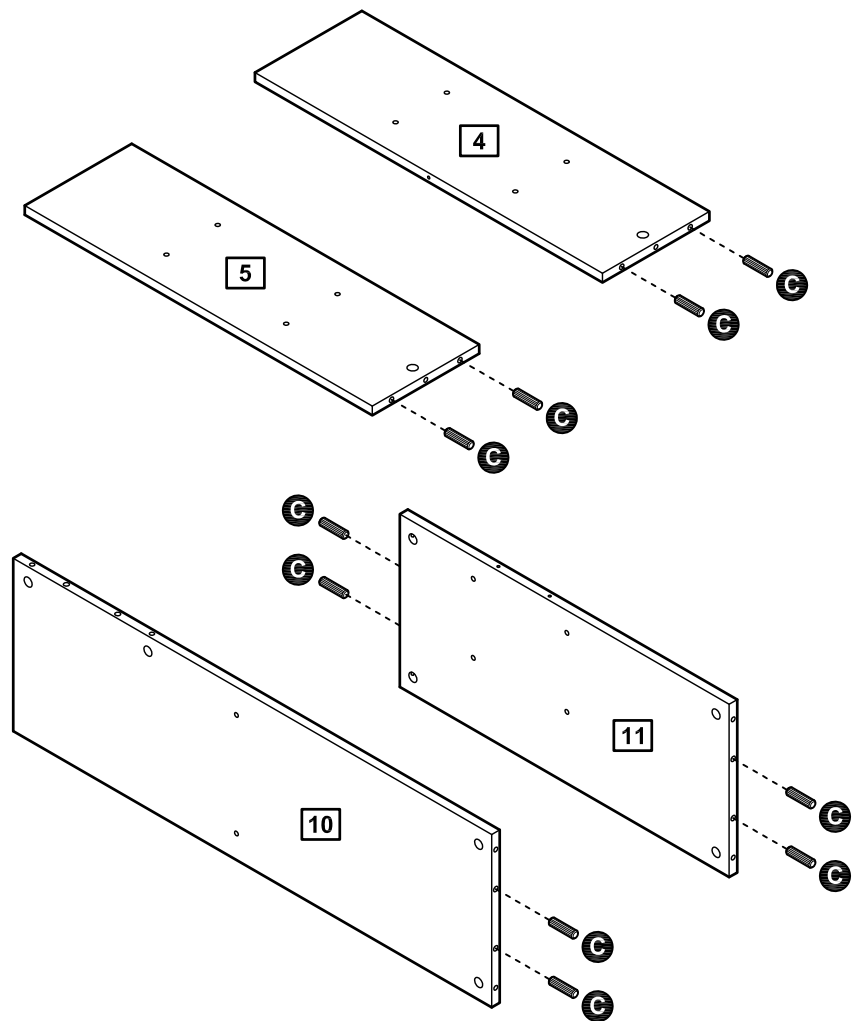
The screws length is measured from the head to the point (30mm screw shown).

Assembly Instructions

Step 1

Fitting dowels

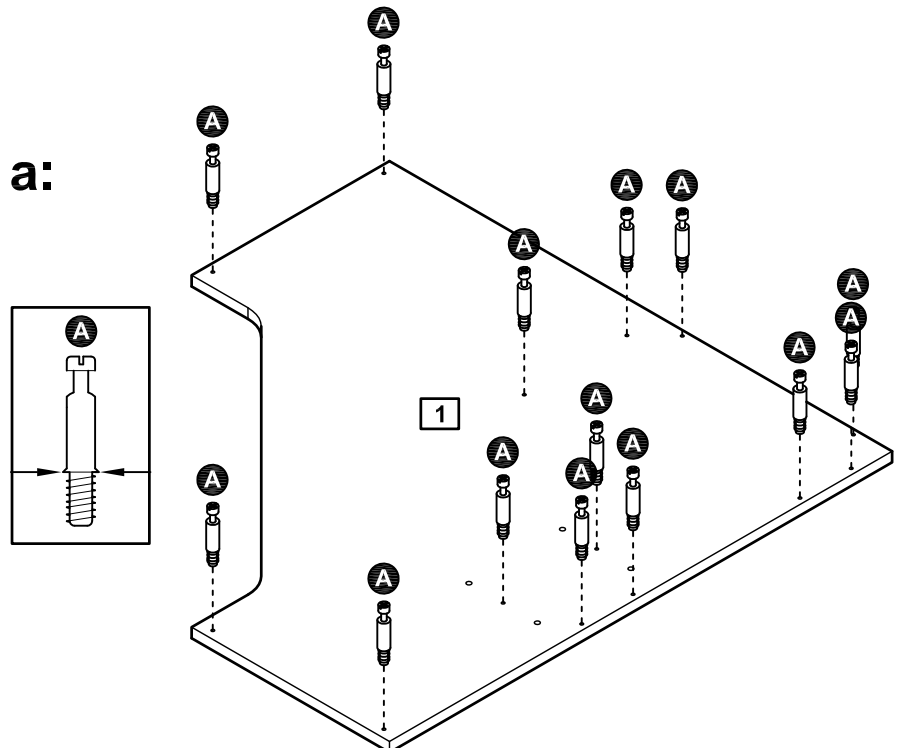
Insert dowels **C** into small left middle side panel **4**, small right middle side panel **5**, left bottom panel **11** and right bottom panel **10**.



Step 2

Fitting locking pins

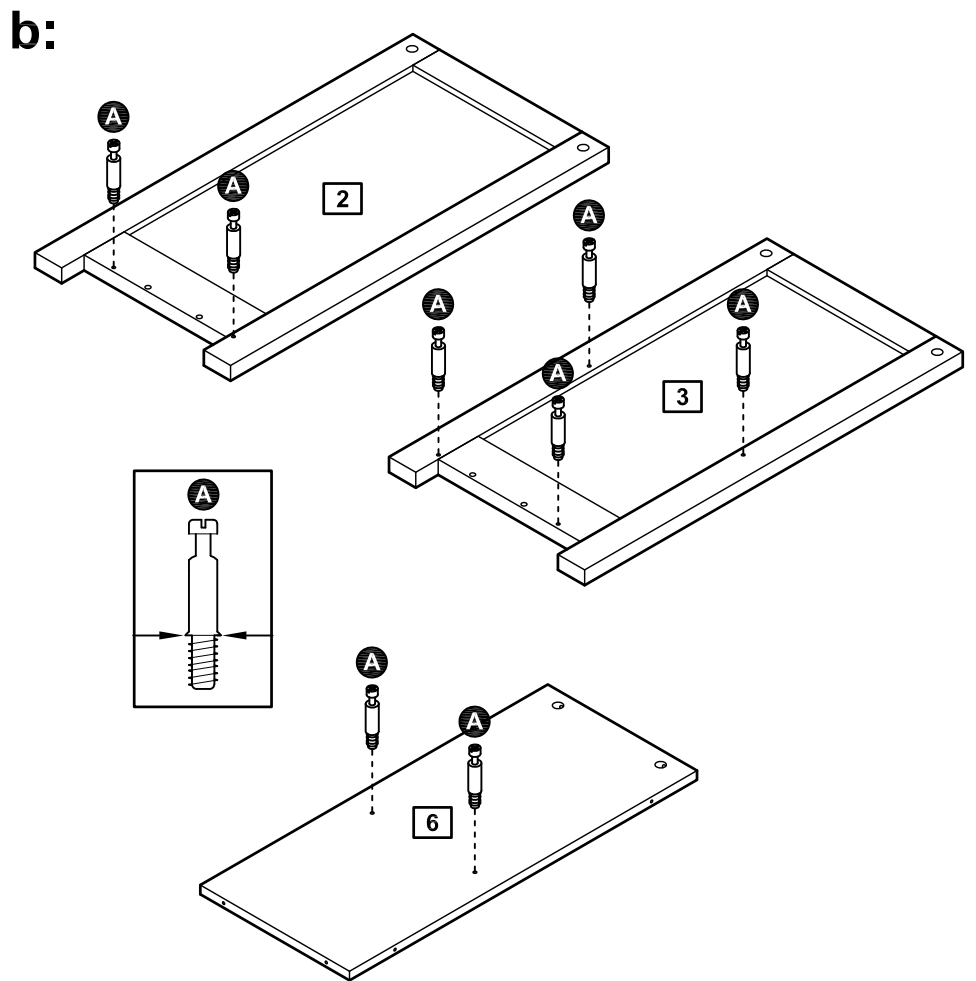
a: Screw locking pins **A** into top panel **1**.



Assembly Instructions

Step 2 - continued

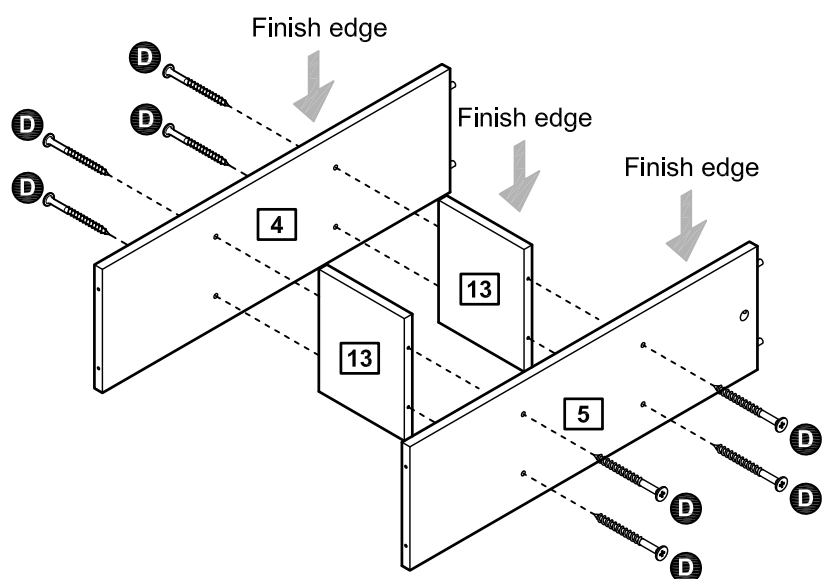
b: Screw locking pins **A** into left side panel **2**, right side panel **3** and right middle side panel **6**.



Step 3

Fitting left fixed panel

Attach small left middle side panel **4** and small right middle side panel **5** onto the left fixed panels **13** with screws **D**, using a screwdriver to tighten.

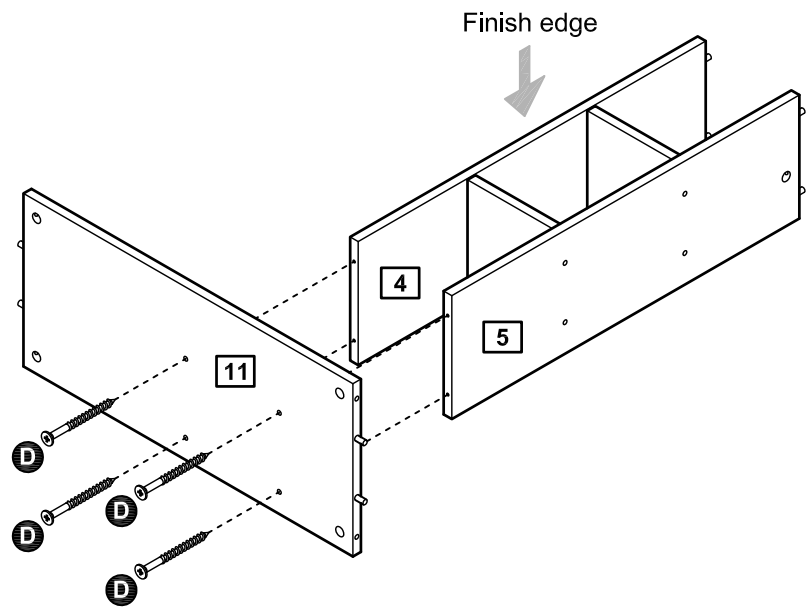


Assembly Instructions

Step 4

Fitting left bottom panel

Attach left bottom panel **11** onto the unit with screws **D**, using a screwdriver to tighten.

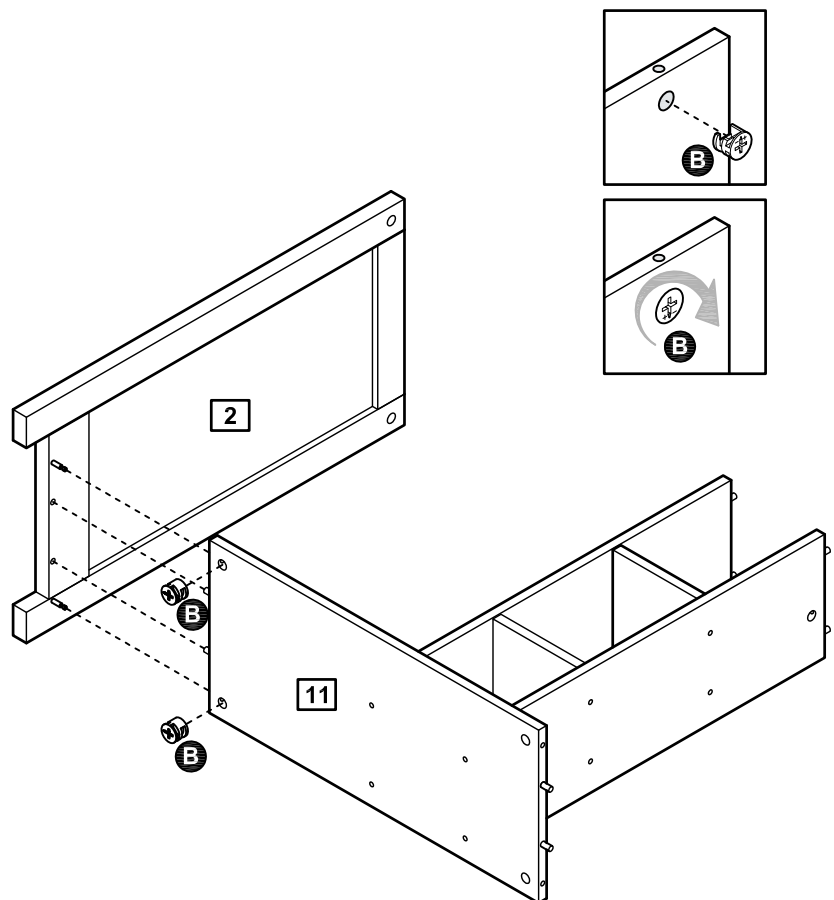


Step 5

Fitting left side panel

Attach left side panel **2** onto the unit.

Insert locking nuts **B** into the unit, then use a screwdriver to turn locking nuts **B** clockwise to lock.

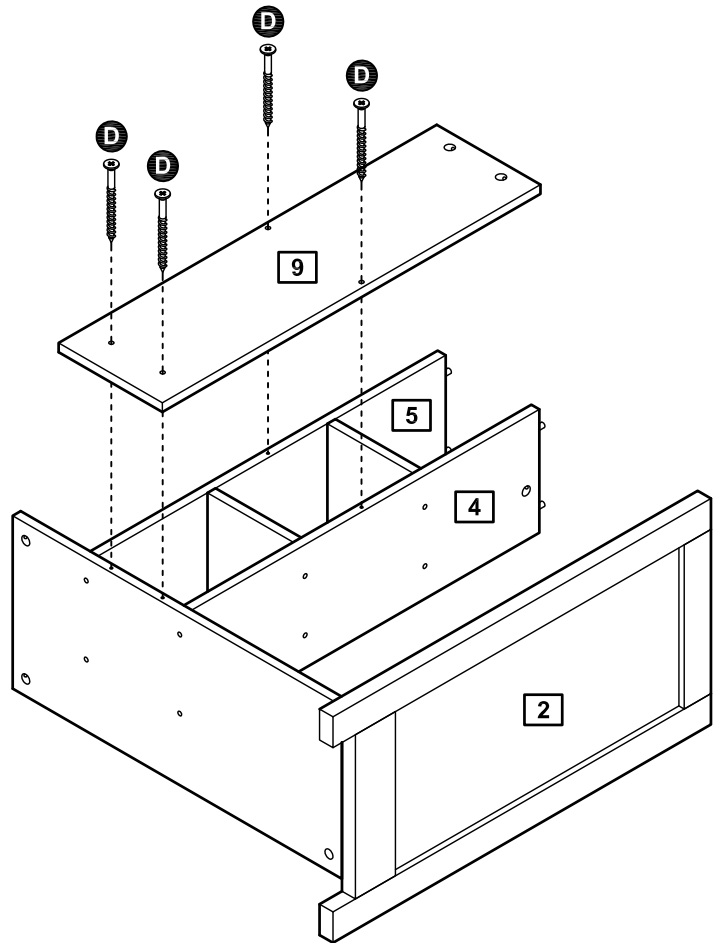


Assembly Instructions

Step 6

Fitting left back B

Attach left back B **9** onto the unit with screws **D**, using a screwdriver to tighten.

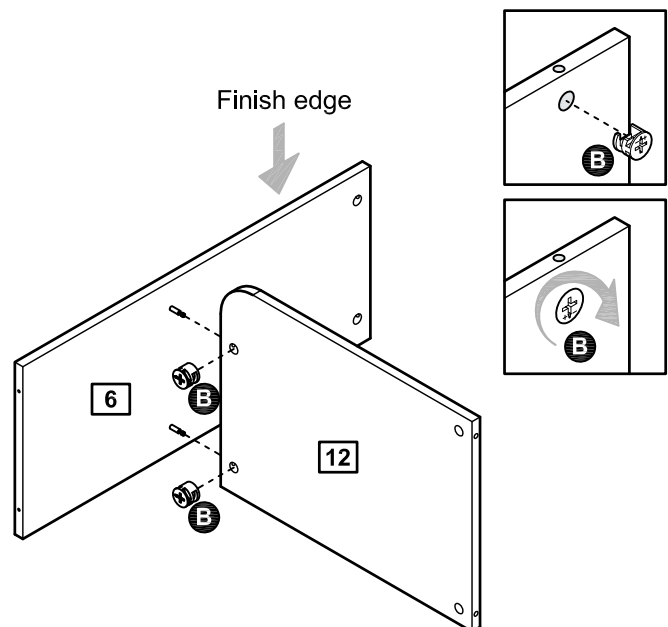


Step 7

Fitting right fixed panel

Attach right fixed panel **12** onto the right middle side panel **6**.

Insert locking nuts **B** into the right fixed panel **12**, then use a screwdriver to turn locking nuts **B** clockwise to lock.

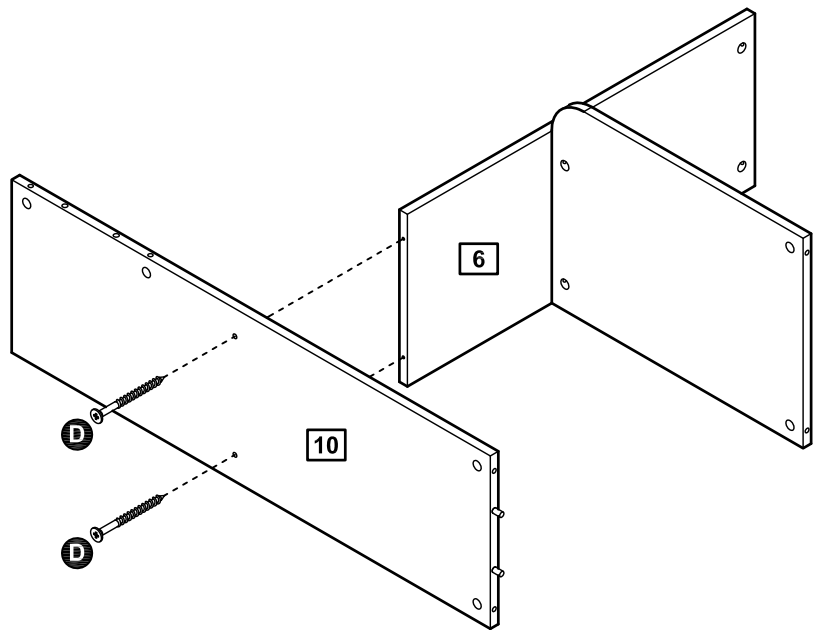


Assembly Instructions

Step 8

Fitting right bottom panel

Attach right bottom panel **10** onto the unit with screws **D**, using a screwdriver to tighten.

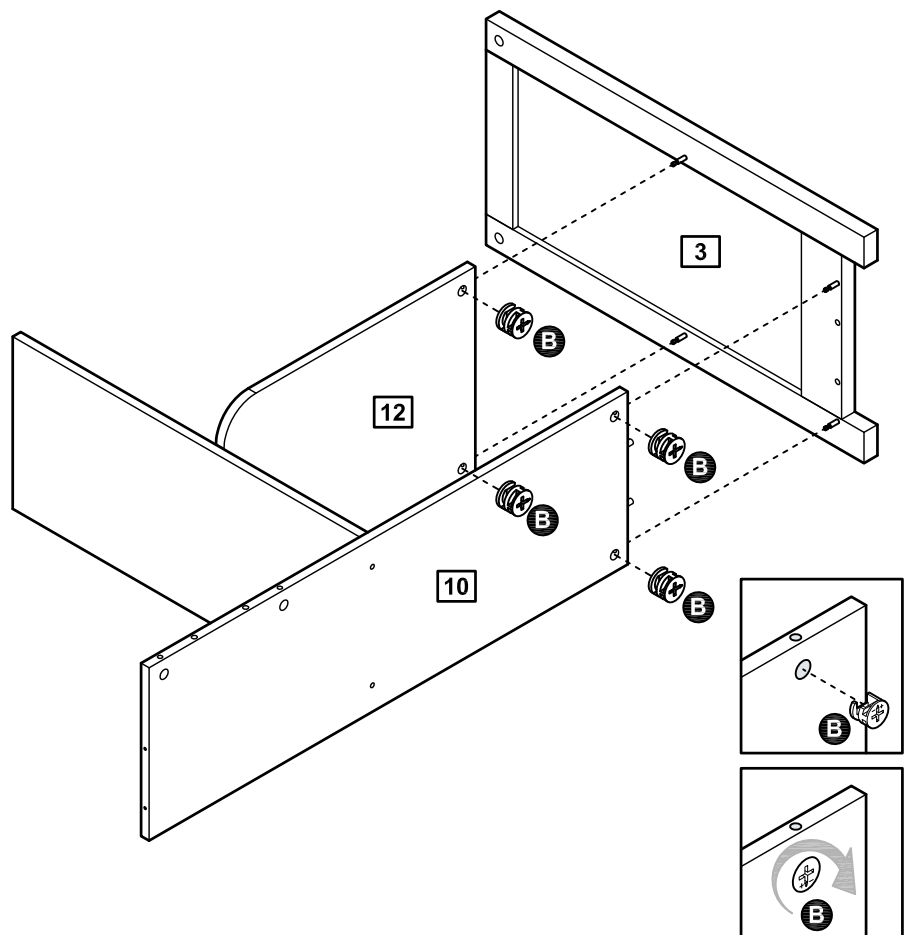


Step 9

Fitting right side panel

Attach right side panel **3** onto the unit.

Insert locking nuts **B** into the unit, then use a screwdriver to turn locking nuts **B** clockwise to lock.

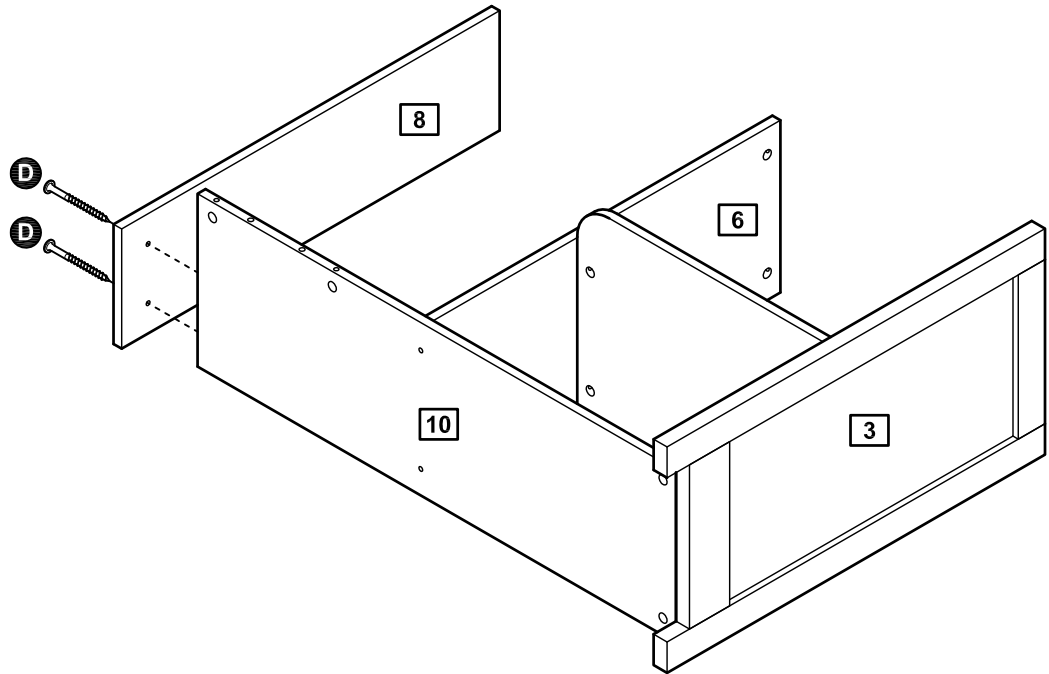


Assembly Instructions

Step 10

Fitting left back A

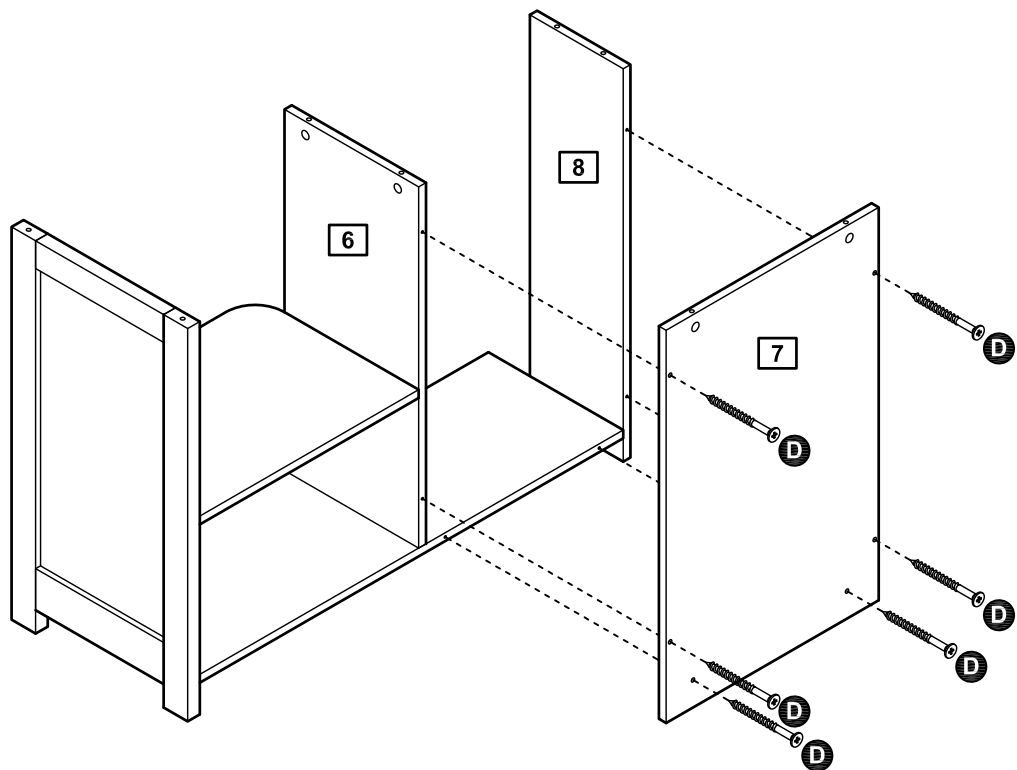
Attach left back A **8** onto the unit with screws **D**, using a screwdriver to tighten.



Step 11

Fitting right back

Attach right back **7** onto the unit with screws **D**, using a screwdriver to tighten.



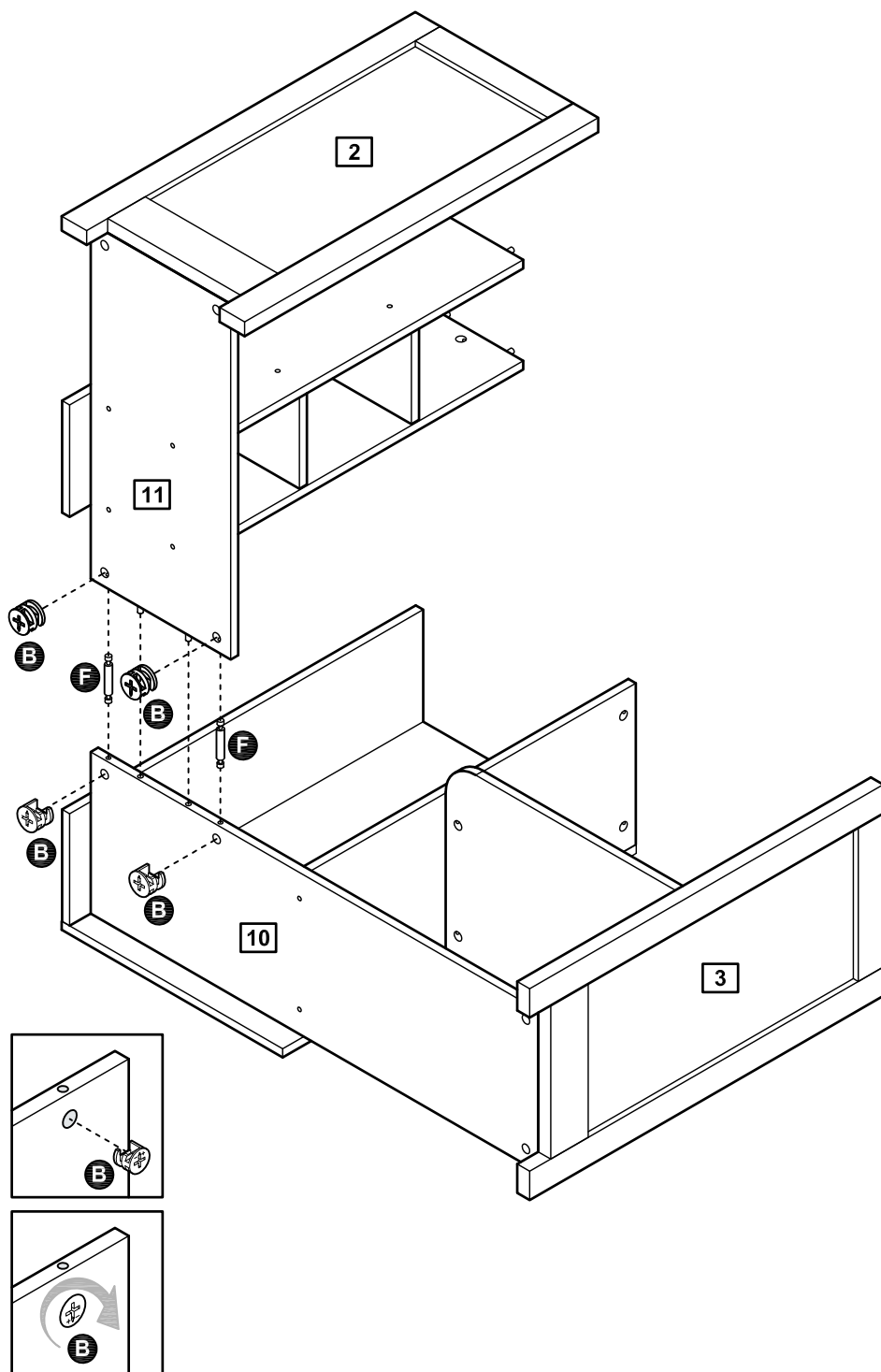
Assembly Instructions

Step 12

Fitting table body

Attach left bottom panel **11** onto the right bottom panel **10** with pin **F**.

Insert locking nuts **B** into the unit, then use a screwdriver to turn locking nuts **B** clockwise to lock.



Assembly Instructions

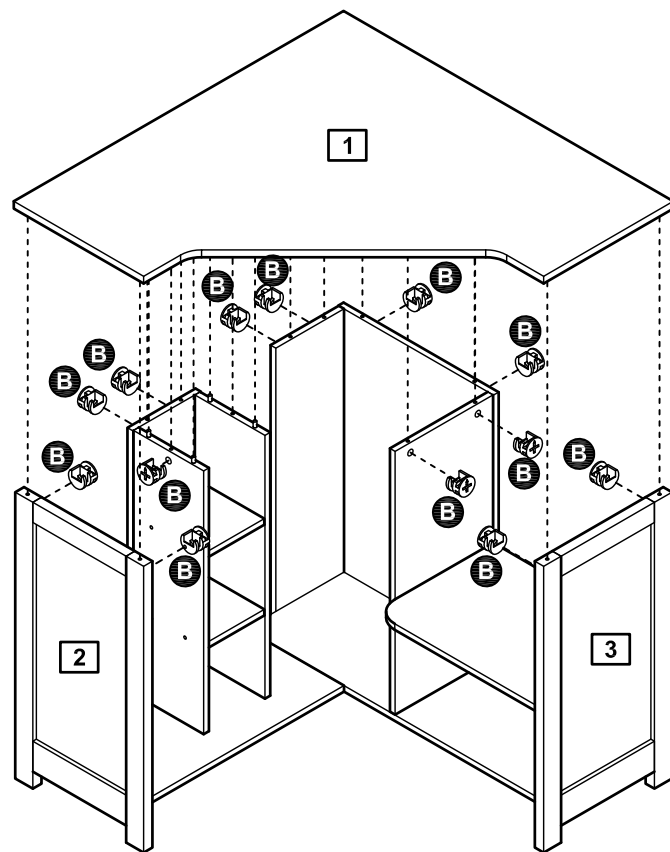
Step 13

Finish the unit

a: Attach top panel **1** onto the unit.

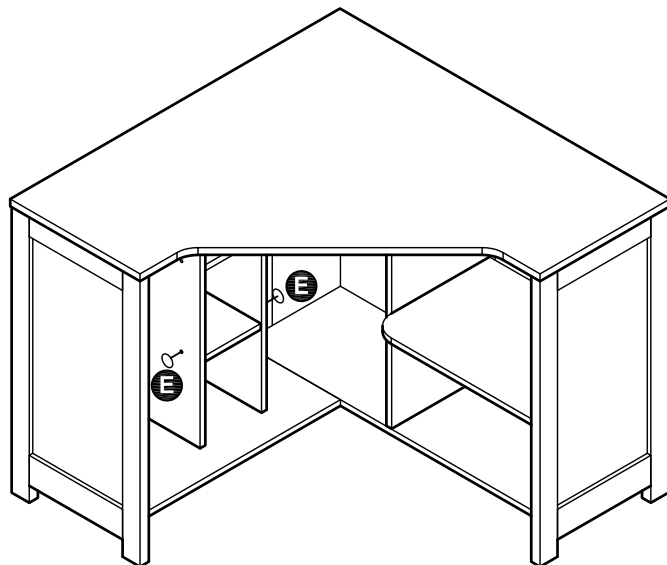
Insert locking nuts **B** into the unit, then use a screwdriver to turn locking nuts **B** clockwise to lock.

a:



b: Use cover stickers **E** to cover the screw holes.

b:



Assembly is complete.

If you need help or have damaged or missing parts, call the **Customer Helpline: 03456 400800**