



kitchen think

Instructions for Installation and Use

Electric Hood

To the Installer

**Before installation fill in the product details on the back cover of this book.
The information can be found on the rating plate.**

To the User

**You must read the instructions prior to installing and using the appliance and
then retain them for future reference.**



CE marking certifies that this appliance conforms to the following EEC directives:-

- Low Voltage Equipment 72/23/EEC
- Electromagnetic Compatibility 89/336/EEC

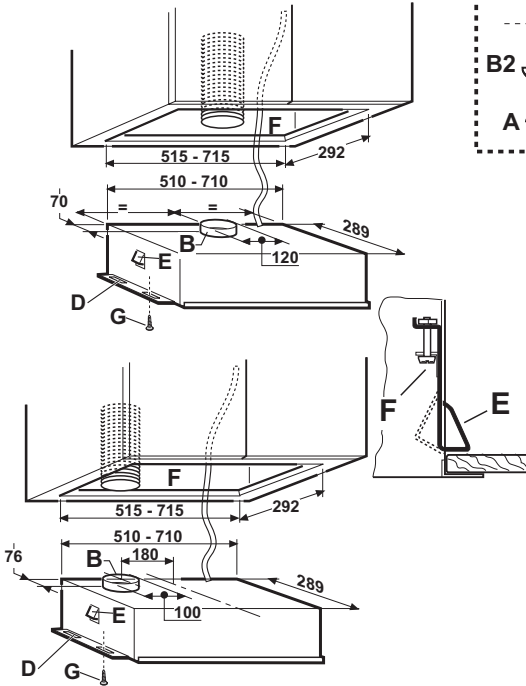
Retention of this Instruction Book

This Instruction Book must be kept handy for reference as it contains important details on the safe and proper use of the appliance.

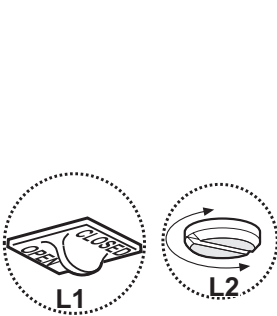
If you sell or pass the appliance to someone else, or move house and leave it behind, make sure this Book is also provided so the new owner can become familiar with the appliance and safety warnings.

If the Book is lost or damaged a copy may be obtained from:
Merloni Elettrodomestici UK Ltd., Morley Way , Peterborough, PE2 9JB

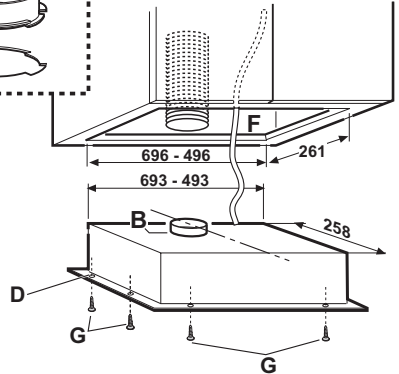
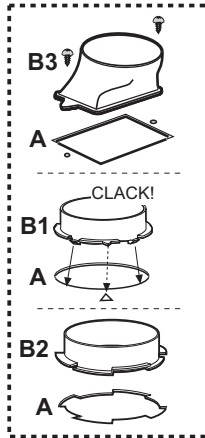
Cooker hood with lateral clasp + 4 screws



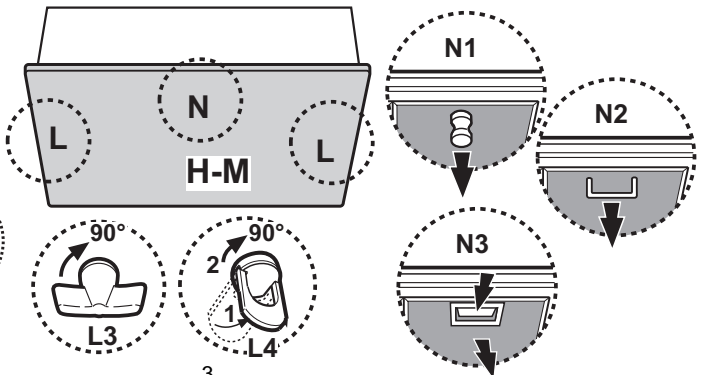
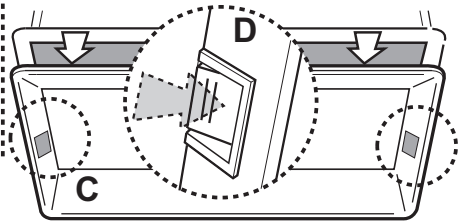
Suction grill release



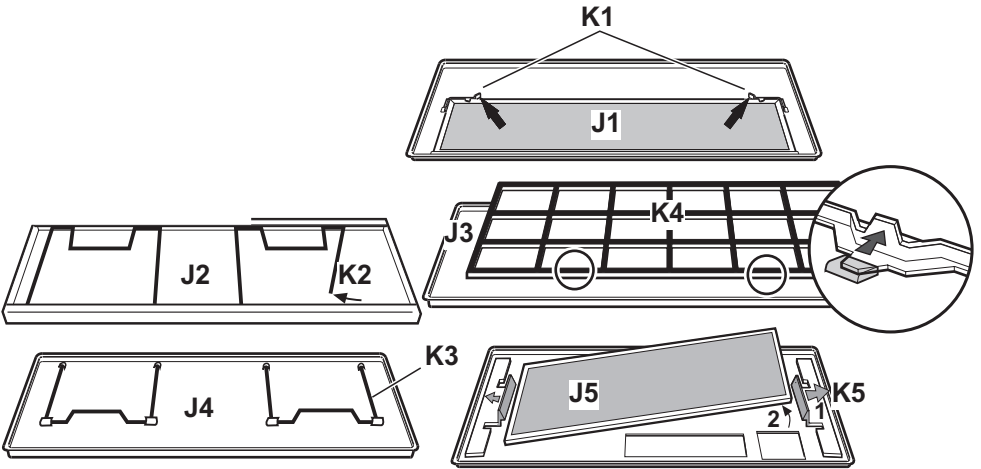
Cooker hood with 8 fixing screws



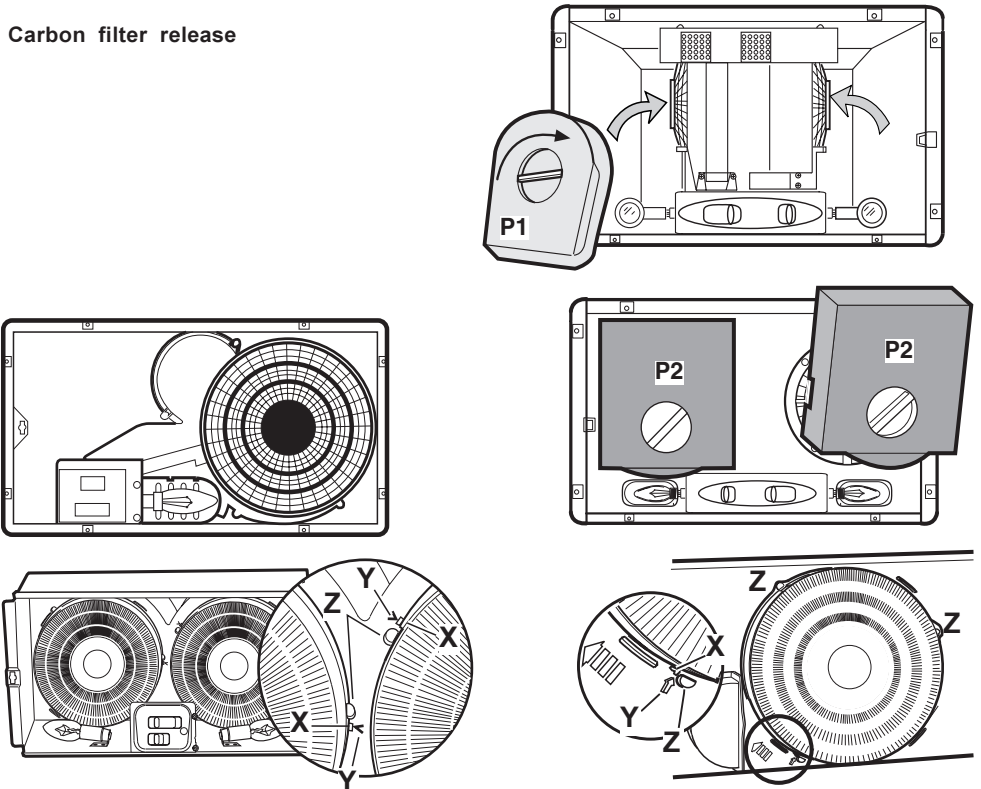
Frame release



Anti-grease filter release



Carbon filter release



Consult the designs in the front pages referenced in the text by alphabet letters. **Closely follow the instructions set out in this manual.** Merloni does not accept responsibility for any damage caused through non complying with the instructions in this manual.

Use: The cooker hood is provided with an upper air exit **A** with connection ring **B**, a discharge tube (not provided) should be mounted on the ring for discharging fumes and vapours externally (Suction Version). Where external discharge of cooking fumes and vapours is not possible the cooker hood may be used in the filter version by mounting a carbon filter, a discharge tube should be connected to the ring in order to expel the fumes above the cabinet. The models without suction motors function only in the suction version and must be connected to a peripheral suction unit (not supplied).

Installation: The cooker hood must be positioned at least 65 cm from the cook top for electrical cookers and 75 cm for gas or mixed cookers.

The hood can be installed above these heights but for optimum performance it should be installed at the distance quoted for the appropriate heat source. This cooker hood is designed to be fitted to a cabinet or similar support.

Carry out the following instructions for affixing the cooker hood: Create an opening in the bottom of the cabinet to insert the cooker hood, and drill a hole on the top of the cabinet to fit the discharge tube, connect the cooker hood to an external pipe, predispose the electrical connection, remove the grill or the anti-grease filter, remove the frame **C** (if provided) by pressing on the two release hooks **D** (according to the model in possession, the release hook button **D** may be located externally or inside the cooker hood below the grease filter / grill), insert the cooker hood in the opening (lock in the lateral clasps **E** if provided by tightening the locking screws **F**), finally fix the cooker hood to the cabinet with wood screws **G** supplied. Remount the frame **C** (if provided), and suction grill **H**.

Electrical connection: The supply voltage must correspond to the voltage label inside the cooker hood.

Where provided, connect the plug directly into the main socket. Where an electrical plug is not provided (for direct connection to electrical network) place a standards approved bipolar switch with an aperture distance of not less than 3mm (accessible) from the contacts.

Caution: This appliance is designed to be operated by adults. Children should not be allowed to tamper with the controls or play with the appliance.

Do not use the cooker hood where the grill is not correctly fixed! The suctioned air must not be conveyed in the same channel used for fumes discharged by appliances powered by other than electricity. The environment must always be adequately aerated when the cooker hood and other appliances powered by other than electricity are used at the same time. Flambé cooking with a cooker hood is prohibited. The use of a free flame is damaging to the filters and may cause fire accidents, therefore free flame cooking must be avoided. Frying of foods must be kept under close control in order to avoid overheated oil catching fire. Carry out fumes discharging in accordance with the regulations in force by local laws for safety and technical restrictions.

Operation

The control panel is supplied with a switch to select the suction speed and lighting.

The switch is located on the side of the suction grill **H**.

Use the higher suction speed for greater levels of cooking vapours. It is recommended to switch on the appliance 5 minutes prior to cooking and for at least 15 minutes after cooking.

Maintenance

Prior to any maintenance operation ensure that the cooker hood is disconnected from the electrical outlet.

Anti-grease filter -

May be one of the following if located inside the support grill:

Paper filter should be replaced once a month or sooner, if coloured on the upper side or when the coloration is visible in the grill holes.

Spunge filter should be washed with hot soapy water once a month and replaced every 5/6 washes.

Metallic filter should be cleaned once a month, with non abrasive detergents, by hand or in dishwasher at low temperature and short cycle.

When washed in a dish washer, the grease filter may discolour slightly, but this does not affect its filtering capacity.

To access the grease filter **J** open the suction grill **H** via the release hooks **L** and free from the supports **K**.

Some models are provided with a **metallic filter M without support grill**, these should be washed as described above and removed from their housing by pressing the **N** handles towards the bottom.

Carbon Filter (only for filter version)

The active carbon filter is not washable nor reusable. *The active carbon filter captures all the undesirable cooking vapours.* It is mounted inside the cooker hood covering the motor protection grill, it should be replaced every 4 months – and may be one of the following:

Rectangular: position the filter **P** in order to cover the motor protection grill and turn the handle clockwise until locked-in, for dismounting follow instructions in reverse.

Bayonet Circular-Insert position the filter in the centre (in certain cases use the **Z** hooks for centring the filter) in order to cover the motor protection grill ensuring that the **X** reference on the carbon filter corresponds to the **Y** reference on the conveyor, then turn clockwise; for dismounting follow instructions in reverse.

Cleaning: The cooker hood should be cleaned regularly internally and externally. For cleaning use a cloth moistened with neutral liquid detergents. Avoid abrasive detergents. Failure to carry out the basic standards of the cleaning of the cooker hood and replacement of the filters may cause fire risks.

Lightbulb replacement: Remove the anti-grease filter support grill or the anti-grease filter to access the lamp area. Remove the damaged lightbulb and replace with an incandescent oval bulb maximum 40W E14. In the case where model is provided with a halogen lightbulb, replace with halogen bulb of 20W (GU5.3 - Ø50mm).



After Sales Service

"No company is better positioned to offer an after sales service on a Hotpoint appliance than us - the manufacturer"

As part of our commitment to you, all Hotpoint appliances have the added benefit of a fully inclusive parts and labour guarantee for the first 12 months. In addition to this you also have the advantage of **free replacement parts for the first 5 years** when fitted by a Hotpoint engineer. When the 12 months parts and labour guarantee expires we offer the following after sales service options:

Repair Service and Information Help Desk

UK: 08709 066066

www.hotpointservice.co.uk

Republic of Ireland: 1850 302 200

Note: Our operators will require the Model number and the Serial number of your appliance

Available 364 days a year with a fast, effective and value for money service. We have the largest white goods repair service in the UK with over 1000 of our own fully trained engineers. All repairs include a parts and labour guarantee for 12 months from the date of the repair. If you require any information or have any questions about your appliance, our operators are on hand with help and advice.

All this ensures that you will receive the best available after sales service possible.

Extended Warranties

UK: 08709 088 088

www.hotpointservice.co.uk

Republic of Ireland: 1850 502 200

Whether you have just one or a number of Hotpoint appliances in your kitchen, we offer two service cover plans to give you total peace of mind.

- Repair Protection Plan - FREE service repairs for a single Hotpoint appliance during the period of cover.
- Kitchen Cover - FREE service repairs for all your Hotpoint appliances less than 8 years old.

Genuine Parts and Accessories

UK: 08709 077 077

www.hotpointservice.co.uk

Republic of Ireland: (01) 842 6836

A wide range of genuine parts and accessories are available from our hotline or through our website.

Genuine parts and accessories, extended warranties and service repairs are all available on our web-site at:



Guarantee

"Satisfaction guaranteed or your money back"

We give you a unique 'satisfaction guaranteed' promise - **valid for 90 days** - after you have purchased your Hotpoint appliance. If there is a technical problem simply call Hotpoint Repair service or visit our web-site at www.hotpointservice.co.uk and where necessary, we will arrange for an engineer to call. If the technical problem is not resolved under this guarantee, **we will replace your machine or, if you prefer, give you your money back.**

All Hotpoint appliances carry a fully inclusive 12 month parts and labour guarantee as well as free replacement parts for the first 5 years (except microwaves, selected integrated appliances and cooker hoods, which have a one year guarantee) provided that they are fitted by a Hotpoint engineer.

Guarantee terms and conditions

Your guarantee is only applicable in the United Kingdom or Republic of Ireland and is subject to the following provisions that your appliance:

- Has been installed and used correctly in accordance with this instruction booklet.
- Has been used solely for domestic purposes and is located on domestic premises (ie. not for commercial or trade use).
- Has been properly connected to a suitable electrical supply voltage as stated on the appliance rating plate.
- Has not been subject to misuse, accident, modified or repaired by anyone other than one of our own service engineers.



For pre purchase information on any other Hotpoint product call: 08701 50 60 70
or visit: www.hotpoint.co.uk



Recycling & Disposal Information

As part of Hotpoint's continued commitment to helping the environment, Hotpoint reserves the right to use quality recycled components to keep down customer costs and minimise material wastage.

Please dispose of packaging and old appliances carefully.

To minimise risk of injury to children, remove the plug and cut mains cable off flush with the appliance. Dispose of these parts separately to ensure that the appliance can no longer be plugged into a mains socket.



Key Contacts

After Sales Service

Over 1200 trained specialists, directly employed by us, ensure that you can have complete confidence in both the appliances and services we offer.



Repair Service and Information Desk

UK: 08709 066 066

(Open 8 to 8 Mon - Fri, 8 to 6 Sat, 10 to 4 Sun & Bank Holidays)

www.hotpointservice.co.uk

Republic of Ireland: 1850 302 200

Note: Our operators will require the following information:

Model number:

Serial number:

Extended Warranties

UK: 08709 088 088

(Open 8 to 8 Mon - Sun)

www.hotpointservice.co.uk

Republic of Ireland: 1850 502 200

Genuine Parts and Accessories

UK: 08709 077 077

(Open 8-30 to 5-30 Mon - Fri & 9 to 12 Sat)

www.hotpointservice.co.uk

Republic of Ireland: (01) 842 6836