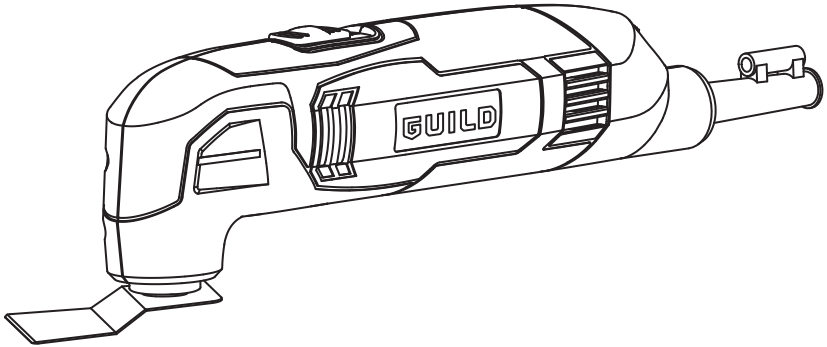


GUILD

250W Multi Function Tool

Instruction Manual

PMF250G



GUILD

After Sales Support

UK/Ireland 0333 3201989
Help@guildpowertools.co.uk

Important - Please read these instructions fully before operating or maintaining your Guild multi function tool

These instructions contain important information that will help you get the best from your Guild multi function tool, ensuring it remains safe to operate.

If you need help or have damaged or missing parts, call the Customer Helpline on 0333 3201989

Contents

| | |
|---|-----------|
| Safety Information | 3 |
| In The Box | 7 |
| Accessories | 7 |
| Operating Instructions | 8 |
| Working Hints For Your Tool | 11 |
| Maintenance | 11 |
| Technical Data | 12 |
| Environmental Protection | 13 |
| Guarantee | 14 |
| Declaration of Conformity | 14 |
| Plug Replacement (Uk & Ireland Only) | 15 |

Safety Information

Important - Please read these instructions fully before starting assembly

Warning Symbols

The following warning symbols appear throughout this assembly manual and indicate the appropriate safety measures you should take when assembling and operating the multi function tool.



To reduce the risk of injury, Please read the instruction manual



Wear eye protection



Wear ear protection



Wear dust mask



Warning



Double insulation



Waste electrical products must not be disposed of with household waste. Please recycle where facilities exist. Check with your local authorities or retailer for recycling advice.

Safety Information

Important - Please read these instructions fully before starting assembly

General Power Tool Safety Warnings



WARNING! Read all safety warnings and all instructions. Failure to follow the warnings and instructions may result in electric shock, fire and/or serious injury.

Save all warnings and instructions for future reference.

The term "power tool" in the warnings refers to your mains-operated (corded) power tool or battery-operated (cordless) power tool.

1) Work area safety

- a) **Keep work area clean and well lit.** Cluttered or dark areas invite accidents.
- b) **Do not operate power tools in explosive atmospheres, such as in the presence of flammable liquids, gases or dust.** Power tools create sparks which may ignite the dust or fumes.
- c) **Keep children and bystanders away while operating a power tool.** Distractions can cause you to lose control.

2) Electrical safety

- a) **Power tool plugs must match the outlet. Never modify the plug in any way. Do not use any adapter plugs with earthed (grounded) power tools.** Unmodified plugs and matching outlets will reduce risk of electric shock.
- b) **Avoid body contact with earthed or grounded surfaces, such as pipes, radiators, ranges and refrigerators.** There is an increased risk of electric shock if your body is earthed or grounded.
- c) **Do not expose power tools to rain or wet conditions.** Water entering a power tool will increase the risk of electric shock.
- d) **Do not abuse the cord. Never use the cord for carrying, pulling or unplugging the power tool. Keep cord away from heat, oil, sharp edges or moving parts.** Damaged or entangled cords increase the risk of electric shock.
- e) **When operating a power tool outdoors, use an extension cord suitable for outdoor use.** Use of a cord suitable for outdoor use reduces the risk of electric shock.
- f) **If operating a power tool in a damp location is unavoidable, use a residual current device (RCD) protected supply.** Use of an RCD reduces the risk of electric shock.

3) Personal safety

- a) **Stay alert, watch what you are doing and use common sense when operating a power tool. Do not use a power tool while you are tired or under the influence of drugs, alcohol or medication.** A moment of inattention while operating power tools may result in serious personal injury.
- b) **Use personal protective equipment. Always wear eye protection.** Protective equipment such as dust mask, non-skid safety shoes, hard hat, or hearing protection used for appropriate conditions will reduce personal injuries.
- c) **Prevent unintentional starting. Ensure the switch is in the off-position before connecting to power source and/or battery pack, picking up or carrying the tool.** Carrying power tools with your finger on the switch or energising power tools that have the switch on invites accidents.

Safety Information

Important - Please read these instructions fully before starting assembly

General Power Tool Safety Warnings

- d) **Remove any adjusting key or wrench before turning the power tool on.** A wrench or a key left attached to a rotating part of the power tool may result in personal injury.
 - e) **Do not overreach. Keep proper footing and balance at all times.** This enables better control of the power tool in unexpected situations.
 - f) **Dress properly. Do not wear loose clothing or jewellery. Keep your hair, clothing and gloves away from moving parts.** Loose clothes, jewellery or long hair can be caught in moving parts.
 - g) **If devices are provided for the connection of dust extraction and collection facilities, ensure these are connected and properly used.** Use of dust collection can reduce dust-related hazards.
- 4) Power tool use and care**
- a) **Do not force the power tool. Use the correct power tool for your application.** The correct power tool will do the job better and safer at the rate for which it was designed.
 - b) **Do not use the power tool if the switch does not turn it on and off.** Any power tool that cannot be controlled with the switch is dangerous and must be repaired.
 - c) **Disconnect the plug from the power source and/or the battery pack from the power tool before making any adjustments, changing accessories, or storing power tools.** Such preventive safety measures reduce the risk of starting the power tool accidentally.
 - d) **Store idle power tools out of the reach of children and do not allow persons unfamiliar with the power tool or these instructions to operate the power tool.** Power tools are dangerous in the hands of untrained users.
 - e) **Maintain power tools. Check for misalignment or binding of moving parts, breakage of parts and any other condition that may affect the power tool's operation. If damaged, have the power tool repaired before use.** Many accidents are caused by poorly maintained power tools.
 - f) **Keep cutting tools sharp and clean.** Properly maintained cutting tools with sharp cutting edges are less likely to bind and are easier to control.
 - g) **Use the power tool, accessories and tool bits etc. in accordance with these instructions, taking into account the working conditions and the work to be performed.** Use of the power tool for operations different from those intended could result in a hazardous situation.
- 5) Service**
- Have your power tool serviced by a qualified repair person using only identical replacement parts.** This will ensure that the safety of the power tool is maintained.



Safety Information

Important - Please read these instructions fully before starting assembly

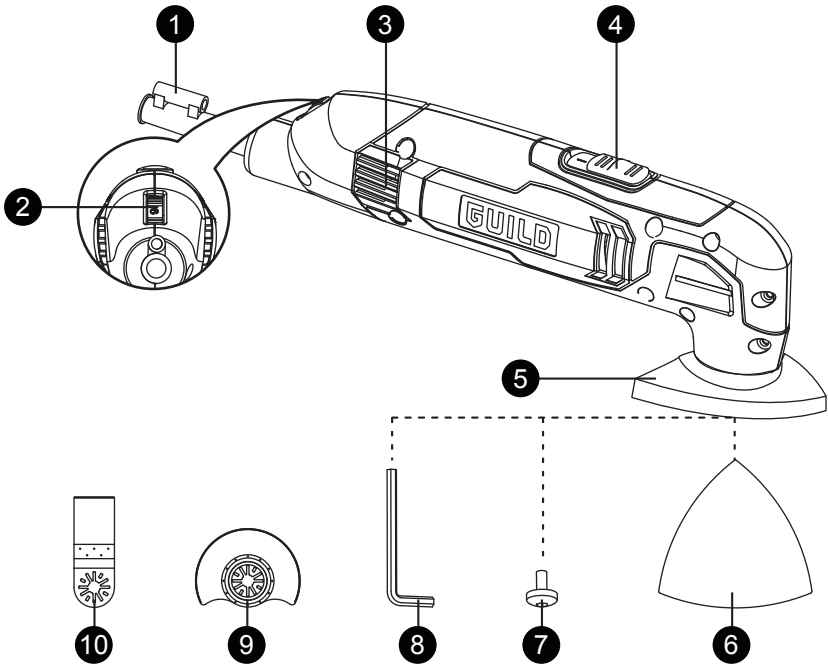
Safety instruction for cutting

- 1. Hold power tool by insulated gripping surfaces, when performing an operation where the cutting accessory may contact hidden wiring or its own cord.** Cutting accessory contacting a "live" wire may make exposed metal parts of the power tool "live" and could give the operator an electric shock.
- 2. Always wear a dust mask**

In The Box

Parts

- 1 Key storage
- 2 Variable speed control
- 3 Venting slots
- 4 On/Off switch
- 5 Sanding pad
- 6 Sanding sheet
- 7 Fastening piece
- 8 Allen key
- 9 HSS semicircle saw blade
- 10 End cut blade



Accessories

| | |
|--------------------------|-----|
| End cut blade | 1pc |
| HSS semicircle saw blade | 1pc |
| Sanding pad | 1pc |
| Allen key | 1pc |
| 80# grit sanding sheet | 1pc |
| 120# grit sanding sheet | 1pc |
| 180# grit sanding sheet | 1pc |

Operating Instructions



NOTE: Before using the tool, read the instruction book carefully.

Intended Use

The power tool is intended for sawing and remodeling wooden materials, plastic, plaster, non-ferrous metals and fasteners (e.g. nails and clamps) as well as for working on soft wall tiles and for dry grinding of small surfaces. It is especially suitable for working close to edges and for flush cutting.



WARNING: Before working your tool make sure that no power cords will be damaged. Before mounting or replacing application tools or accessories, pull the power plug. This preventative safety measure eliminates danger from accidentally starting the power tool.

Do not touch the gear box after long working time, because it could be hot.

1. MOUNTING ACCESSORIES



CAUTION: For all work or when changing application tools, always wear protective gloves. Avoid danger of injury from the sharp edges of the application tools. Application tools can become very hot while working, presenting danger of burns!



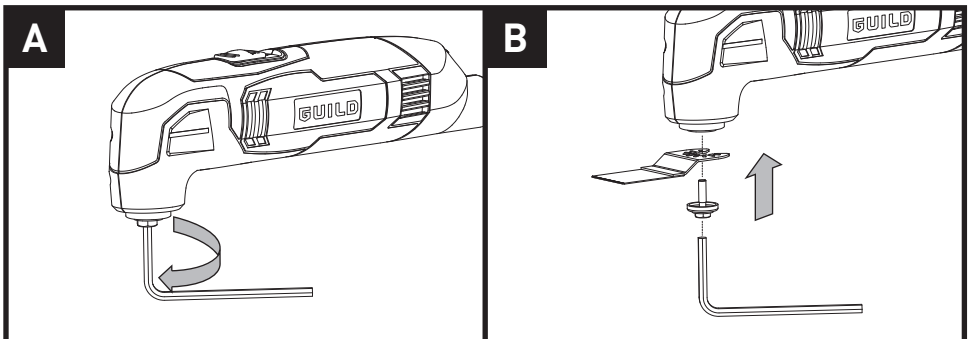
WARNING: To reduce the risk of injury, do not let the Universal end cut blades or any segment saw blades face back toward the user's hand.

-Loosen the fastening piece

Use the Allen Key to rotate the fastening piece clockwise. (SEE FIG A)

-Insert Accessories

For the accessories with tool and most other branded accessories, the fastening piece must be completely removed to install accessory (SEE FIG B).



Operating Instructions

NOTE: For the Universal-Fit™ Accessory
Insert the Accessory onto the Universal-Fit™ Accessory Interface.(SEE FIG C)

- Tighten the fastening piece

- Use the Allen Key to rotate the fastening piece counterclockwise until accessory is tightened securely (SEE FIG D).

2. MOUNTING / CHANGING THE SANDING SHEET (SEE FIG E)

Align the sanding sheet and press it onto the sanding pad by hand.

Firmly press the power tool with the sanding sheet against a flat surface and briefly switch the power tool on. This provides for good adhesion and prevents premature wear.

If one point has become worn, pull off the sanding sheet, turn it 120° and replace.

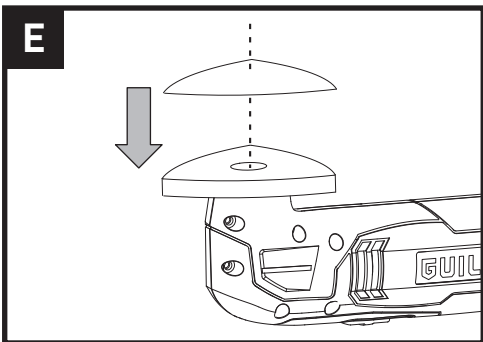
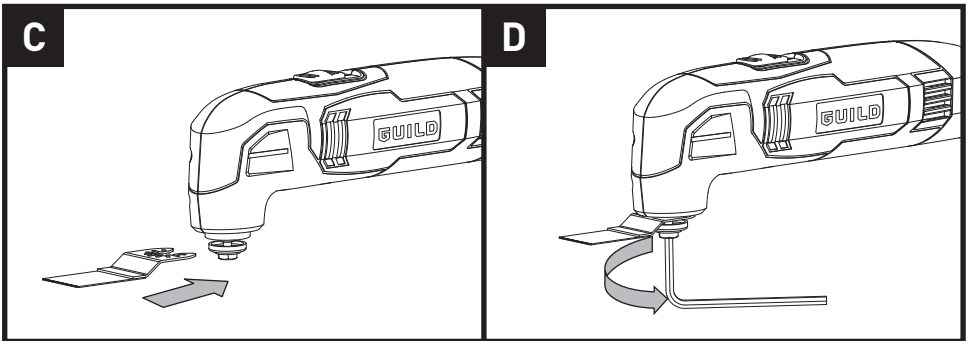
3. OPERATING THE ON/OFF SWITCH

—Switching the power tool ON:

Slide switch (4) forward (I).

—Switching the power tool OFF:

Slide switch (4) backward (0).



Operating Instructions

4. USING THE VARIABLE SPEED CONTROL

Select oscillation frequency (speed) while the motor is running.

The variable speed control (2) can be used to set the optimum oscillating frequency according to the accessories used and the respective application.

High oscillation frequency:

Sanding, sawing, rasping and polishing stone and metal.

Low oscillation frequency:

Polishing varnishes.

5. SANDING

Typical application: wood, metal; small areas, especially corners, edges and places difficult to access.

Select high oscillation frequency.

Sand with a constant movement and light pressure.

Heavy pressure does not increase the removal – the sanding sheet merely wears faster.

6. SAWING WITH THE SEMICIRCLE SAW BLADE

The workpiece must be inserted firmly or clamped tightly before it is cut.

Typical application: wood, PVC, soft metal sheet.

Select high oscillation frequency .

The saw blade lasts longer if the wear is distributed evenly. To ensure an even distribution, loosen the saw blade, rotate it and retighten firmly.

7. SAWING WITH THE END CUT SAW BLADE (SEE FIG F)



WARNING: the sawing teeth are very sharp. Do not touch during mounting and application.

The workpiece must be inserted firmly or clamped tightly before it is cut.

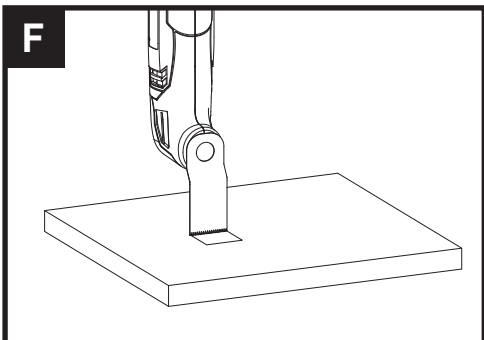
Typical application: wood, plaster board, soft plastics and metal (e. g. nails).

When plunging and sawing use a slight pendulum motion, to allow sufficient chip removal.

8. SCRAPING

Typical application: Scraping off old varnish or adhesives, removing glued carpeting, e. g. on stairs or other small to medium-sized surfaces.

Select medium / high oscillation frequency.



Working Hints For Your Tool

If your power tool becomes too hot, especially when used at low speed, set the speed to maximum and run it with no load for 2-3 minutes to cool the motor. Avoid prolonged usage at very low speeds. Always keep the blade sharp.

Always ensure the workpiece is firmly held or clamped to prevent movement.

Any movement of the material may affect the quality of the cutting or sanding finish.

Start your tool before working and turn it off only after you stop working.

Do not start sanding without having the sandpaper fitted.

Do not allow the sandpaper to wear away, it will damage the sanding pad. The guarantee does not cover sanding pad wear and tear.

Use coarse grit paper to sand rough surfaces, medium grit for smooth surfaces and fine grit for finishing surfaces. If necessary, first make a test run on scrap material.

Excessive force will reduce the working efficiency and cause motor overload. Replacing the accessory regularly will maintain optimum working efficiency.

Maintenance

Remove the plug from the socket before carrying out any adjustment, servicing or maintenance.

Your power tool requires no additional lubrication or maintenance. There are no user serviceable parts in your power tool. Never use water or chemical cleaners to clean your power tool. Wipe clean with a dry cloth. Always store your power tool in a dry place. Keep the motor ventilation slots clean. Keep all working controls free of dust. Occasionally you may see sparks through the ventilation slots. This is normal and will not damage your power tool.

If the supply cord is damaged, it must be replaced by the manufacturer, its service agent or similarly qualified persons in order to avoid a hazard.

Technical Data

Technical Data Table

| | |
|--------------------|-----------------|
| Voltage | 230-240V~50Hz |
| Power input | 250W |
| Oscillations speed | 11000-20000/min |
| Oscillations angle | 3.2° |
| Protection class | □/II |
| Machine weight | 1.27kg |

Noise Information

A weighted sound pressure
A weighted sound power

L_{pA} : 76,3dB(A)
 L_{WA} : 87,3dB(A)
 K_{pA} & K_{WA} = 3.0dB(A)

Wear ear protection when sound pressure is over 80 dB (A)



Vibration Information

| | |
|---|--|
| Vibration total values (triax vector sum) determined according to EN 60745: | |
| Typical weighted vibration | Vibration emission value $a_h = 4.639\text{m/s}^2$ |
| | Uncertainty $K = 1,5\text{m/s}^2$ |



WARNING: The vibration emission value during actual use of the power tool can differ from the declared value depending on the ways in which the tool is used dependant on the following examples and other variations on how the tool is used: How the tool is used and the materials being cut or drilled.

The tool being in good condition and well maintained

The use the correct accessory for the tool and ensuring it is sharp and in good condition.

The tightness of the grip on the handles and if any anti vibration accessories are used.

And the tool is being used as intended by its design and these instructions.

This tool may cause hand-arm vibration syndrome if its use is not adequately managed



WARNING: To be accurate, an estimation of exposure level in the actual conditions of use should also take account of all parts of the operating cycle such as the times when the tool is switched off and when it is running idle but not actually doing the job. This may significantly reduce the exposure level over the total working period.

Helping to minimise your vibration exposure risk.

ALWAYS use sharp chisels, drills and blades

Maintain this tool in accordance with these instructions and keep well lubricated (where appropriate)

If the tool is to be used regularly then invest in anti vibration accessories.

Avoid using tools in temperatures of 10°C or less

Plan your work schedule to spread any high vibration tool use across a number of days.

Environmental Protection



Waste electrical products must not be disposed of with household waste. Please recycle where facilities exist. Check with your local authorities or retailer for recycling advice.

Guarantee

This product is selected for DOMESTIC USE ONLY and not for business use. This product is guaranteed against manufacturing defects for a period of 24 months. This does not cover the product where the fault is due to misuse, abuse, use in contravention of the instructions, or where the product has been the subject of unauthorised modifications or alterations, or has been the subject of commercial use. In the event of a problem with the product within the guarantee period please return it to your nearest store. If the item is shown to have an inherent defect present at the time of sale, the store will provide you with a replacement. Your statutory rights remain unaffected.

Issue1 08/2015

Declaration of Conformity

This Guild 250W Multi Function Tool model number PMF250G fully complies with the Machinery Directive 2006/42/EC, Electromagnetic Compatibility Directive 2004/108/EC(before 2016/04/20) and 2014/30/EC(since 2016/04/20), RoHS Directive 2011/65/EU and the following harmonized EU standards

EN 60745-2-4: 2009 + A11: 2011

EN 60745-1: 2009 + A11: 2010

EN 55014-1: 2006 + A1:2009 + A2:2011

EN 55014-2: 1997 + A1:2001 + A2:2008

EN 61000-3-2: 2014

EN 61000-3-3: 2013

This declaration is made under the sole responsibility of Argos Ltd, 489/499 Avebury Boulevard, Milton Keynes, MK9 2NW

Category Technical Manager
Issued 20/10/2015

signed *Luke Wong*

Plug Replacement (Uk & Ireland Only)

If you need to replace the fitted plug then follow the instructions below.

IMPORTANT

The wires in the mains lead are colored in accordance with the following code:

Blue – Neutral

Brown – Live

As the colors of the wires in the mains lead of this appliance may not correspond with the coloured markings identifying the terminals in your plug, proceed as follows. The wire which is coloured blue must be connected to the terminal which is marked with N. The wire which is coloured brown must be connected to the terminal which is marked with L.



WARNING:

Never connect live or neutral wires to the earth terminal of the plug. Only fit an approved BS1363/A plug and the correct rated fuse.

Note: If a moulded plug is fitted and has to be removed take great care in disposing of the plug and severed cable, it must be destroyed to prevent engaging into a socket.

