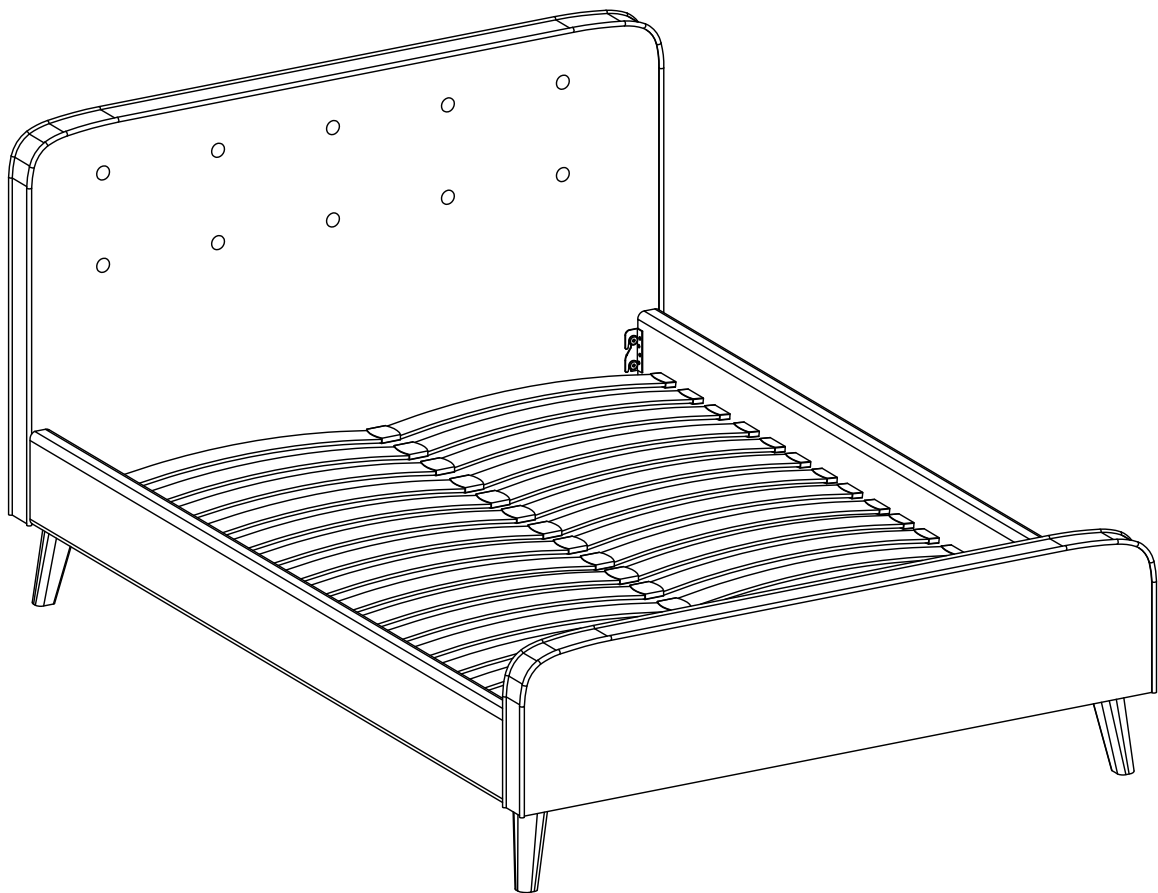


Ashby - Natural Fabric Bed

Assembly Instructions - Please keep for future reference

4767662



Dimensions

Width - 148.5cm

Depth - 204cm

Height - 103cm

Important - Please read these instructions fully before starting assembly

If you need help or have damaged or missing parts, call the **Customer Helpline: 03456 400800**



Safety and Care Advice

Important - Please read these instructions fully before starting assembly

- Check you have all the components and tools listed on the following pages.
- Remove all fittings from the plastic bags and separate them into their groups.
- Keep children and animals away from the work area, small parts could choke if swallowed.
- Make sure you have enough space to layout the parts before starting.

- During assembly do not stand or put weight on the product, this could cause damage.
- Assemble the item as close to its final position (in the same room) as possible.
- Assemble on a soft level surface to avoid damaging the unit or your floor.
- Parts of the assembly will be easier with 2 people.



- To reduce the likelihood of damaging your product please ensure that your power drill is set on a low torque setting.
- Improper use of electrical tools will crack the components.
- Dispose of all packaging carefully and responsibly.
- **WARNING Contains Silica Gel Desiccant. Discard safely away from babies and children.**

Care and maintenance

- Only clean using a damp cloth and mild detergent, do not use bleach or abrasive cleaners.
- From time to time check that there are no loose screws on this unit.
- This product should not be discarded with household waste. Take to your local authority waste disposal centre.

Handy Hints

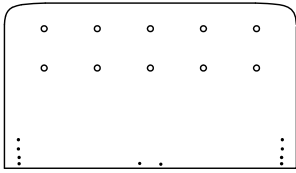
- Assemble all parts and bolts loosely during assembly, only once the product is complete should you fully tighten the bolts.
- Regularly check and ensure that all bolts and fittings are tightened properly.

Note: if required the next page can be cut out and used as reference throughout the assembly. Keep this page with these instructions for future reference.

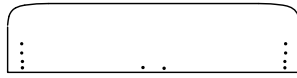
Components - Panels

If you have damaged or missing components, call the **Customer Helpline: 03456 400800**

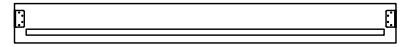
Please check you have all the panels listed below



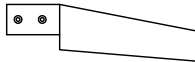
1 Headboard x1 (148.5 x 84x7cm)



2 Footboard x1 (148.5 x 35 x 6.5cm)



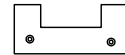
3 Bed side x2 (192.5 x 20 x 5.5 cm)



4 Left leg x2 (6 x 6x 25cm)



5 Right leg x2 (6 x 6 x 25cm)



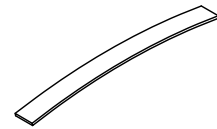
6 "U" Block x2 (15 x 6.5 x 3 cm)



7 Middle Bar x1 (191 x 8 x 2.5 cm)



8 Middle foot x2 (22 x 6 x 3 cm)



9 Bed slats x32 (68 x 5.3 x 1 cm)

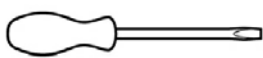
Components - Fittings

Please check you have all the fittings listed below

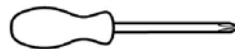
Note: The quantities below are the correct amount to complete the assembly. In some cases more fittings may be supplied than are required.

<p>A</p> <p>Bolt x14 (M8 x 50 mm)</p>	<p>B</p> <p>Bolt x8 (M8 x 25 mm)</p>	<p>C</p> <p>Washer x22(Ø19.0 / Ø8.4 x1mm)</p>	<p>D</p> <p>Screw x4 (Ø3.5x50mm)</p>
<p>E</p> <p>Plastic end caps x32</p>	<p>F</p> <p>Plastic midd caps x16</p>	<p>G</p> <p>Allen Key x1 (5mm)</p>	

Tools required



Flatblade screwdriver (medium)



Phillips screwdriver (medium & large)

Ruler - Use this ruler to help correctly identify the screws

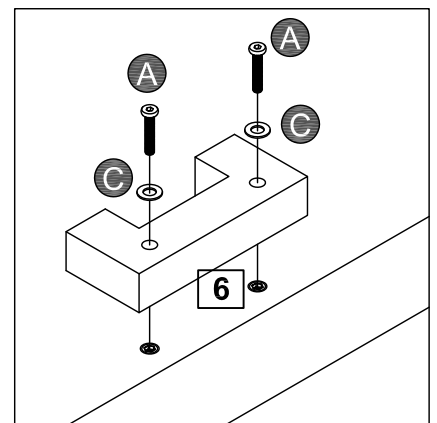
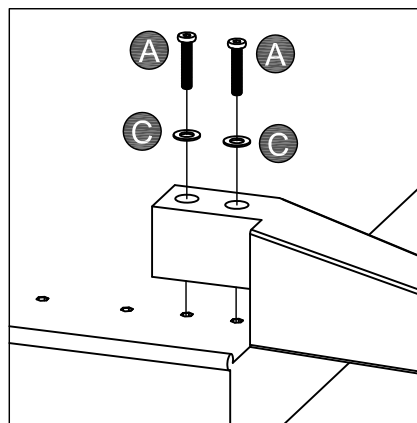
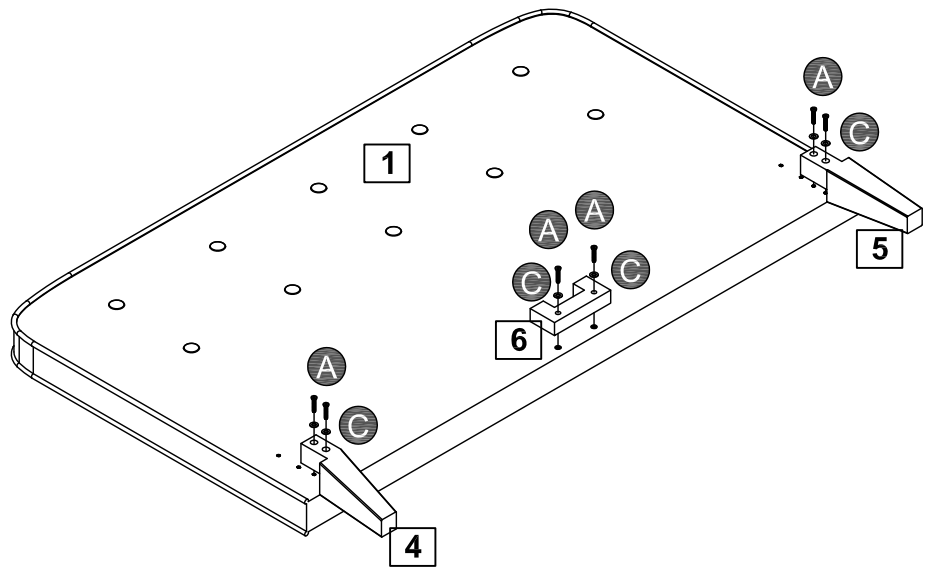
0 5 10 15 20 25 30 35 40 45 50 55 60 65 70 75 80 85 90 95 100 105 110 115 120 125 130 135 140 145 150 155 160 165 170

Assembly Instructions

Step 1

Attach Legs **4** **5** onto the headboard **1** with Washers **C** and Bolts **A** using allen key **G**.

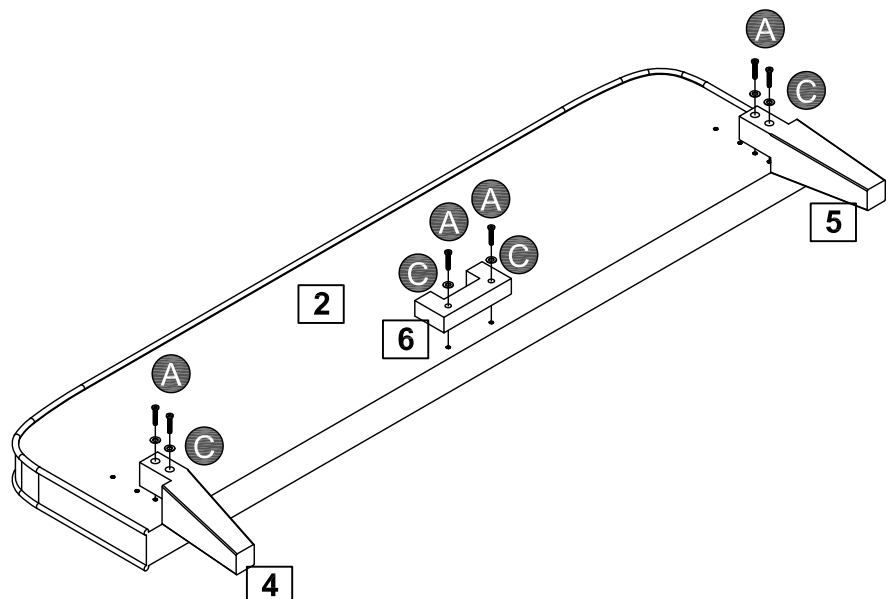
Attach "U" blocks **6** onto the headboard **1** with Washers **C** and Bolts **A** using allen key **G**.



Step 2

Attach Legs **4** **5** onto the footboard **2** with Washers **C** and Bolts **A** using allen key **G**.

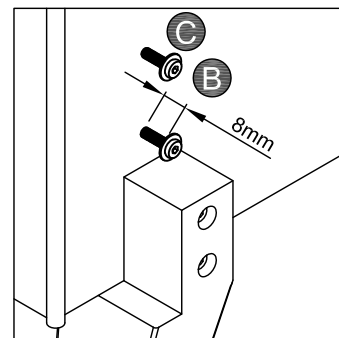
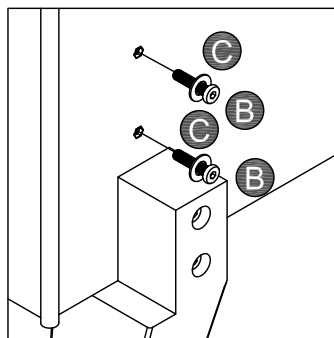
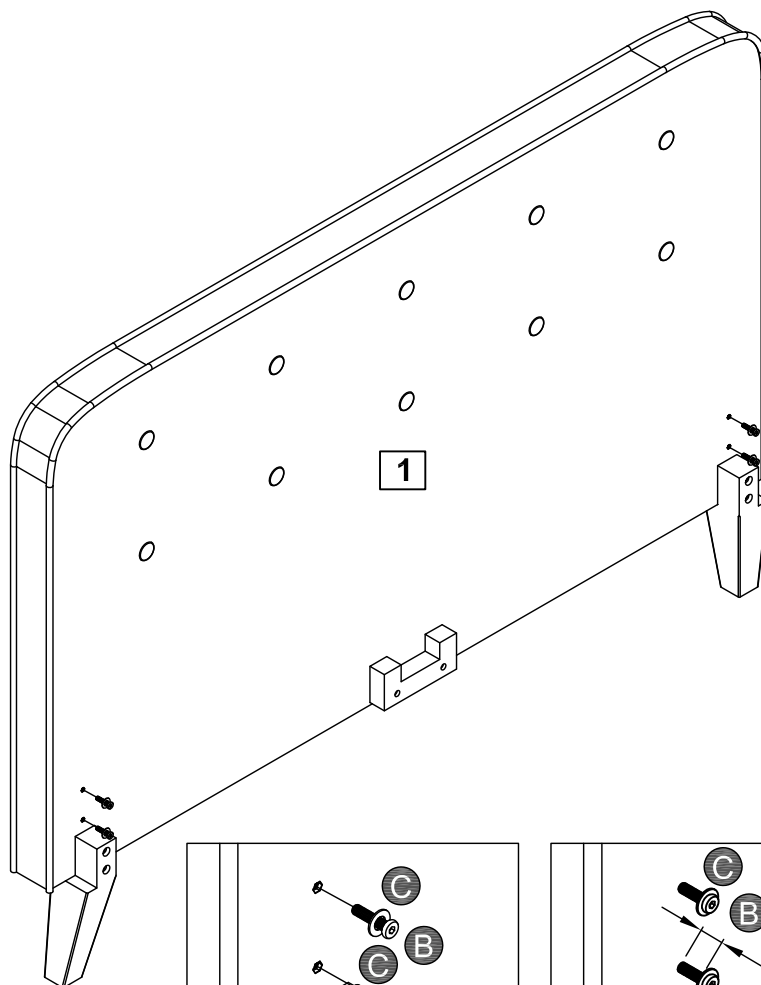
Attach "U" blocks **6** onto the footboard **2** with Washers **C** and Bolts **A** using allen key **G**.



Assembly Instructions

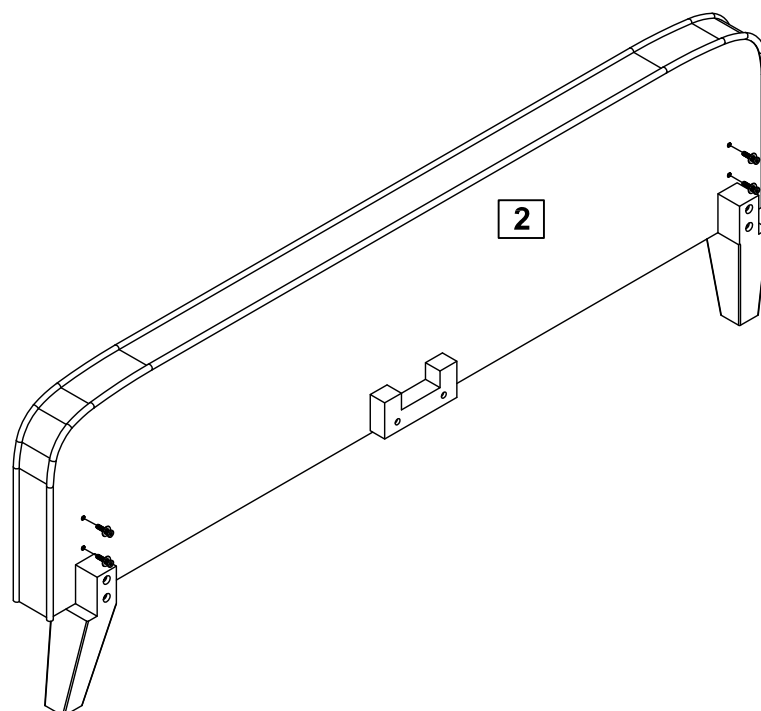
Step 3

Screw Bolts **B** and washers **C** into the headboard **1** as shown. please keep **8mm** outside.



Step 4

Screw Bolts **B** and washers **C** into the footboard **2** as shown. please keep **8mm** outside.

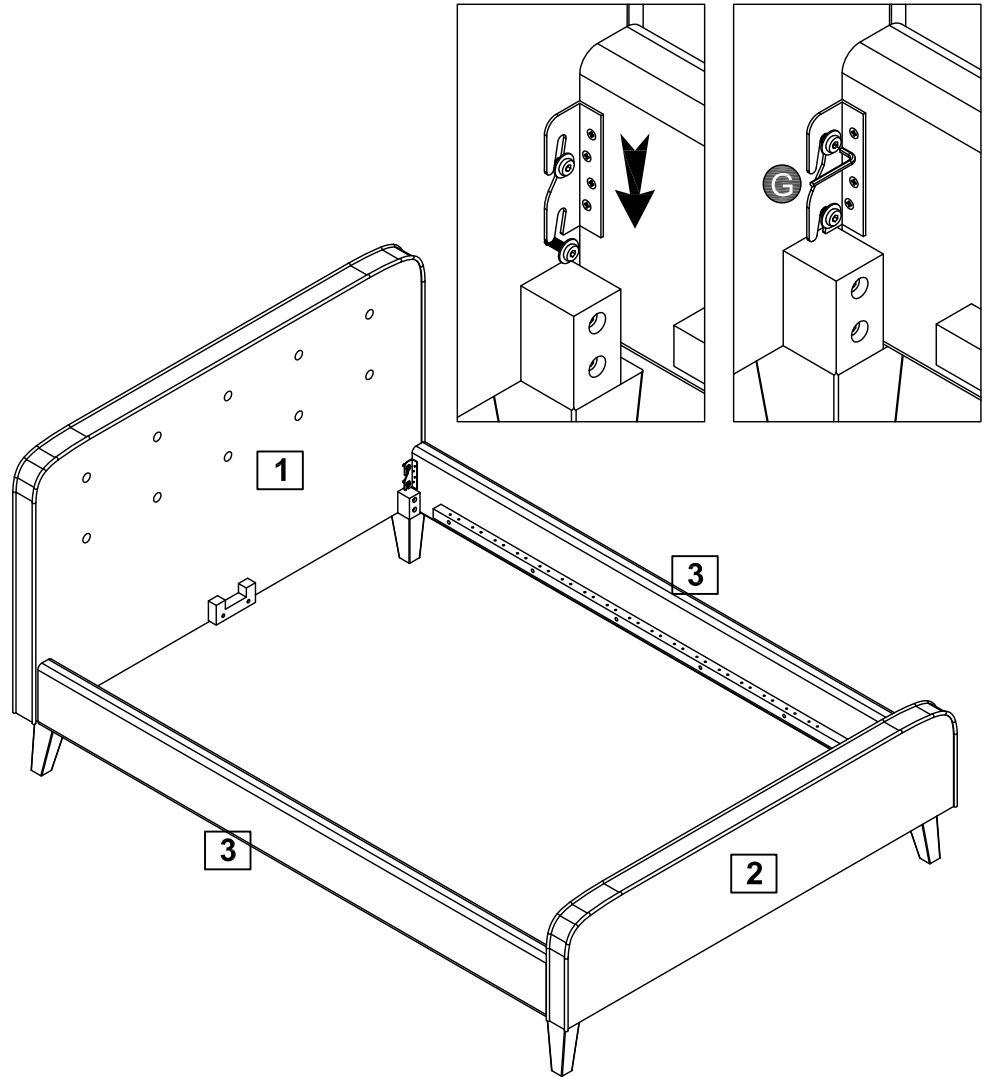


Assembly Instructions

Step 5

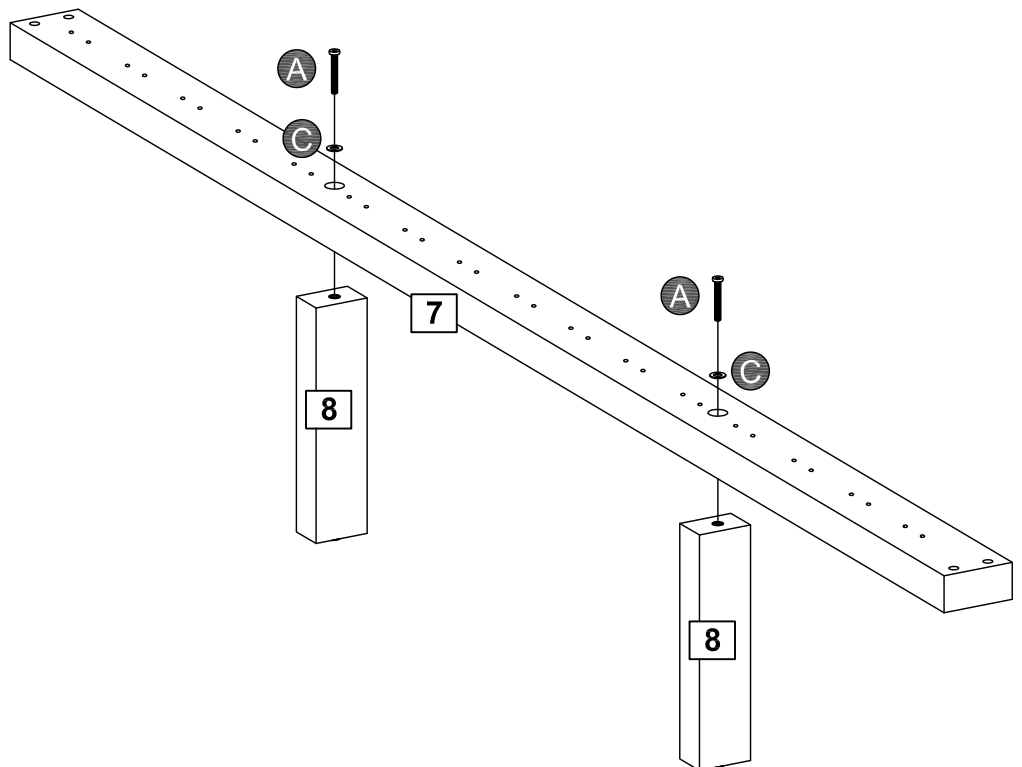
Attach Bed sides **3** onto headboard **1** and footboard **2** as shown, use allen key **G** to tighten the bolts **B**.

Be careful not to over tighten.



Step 6

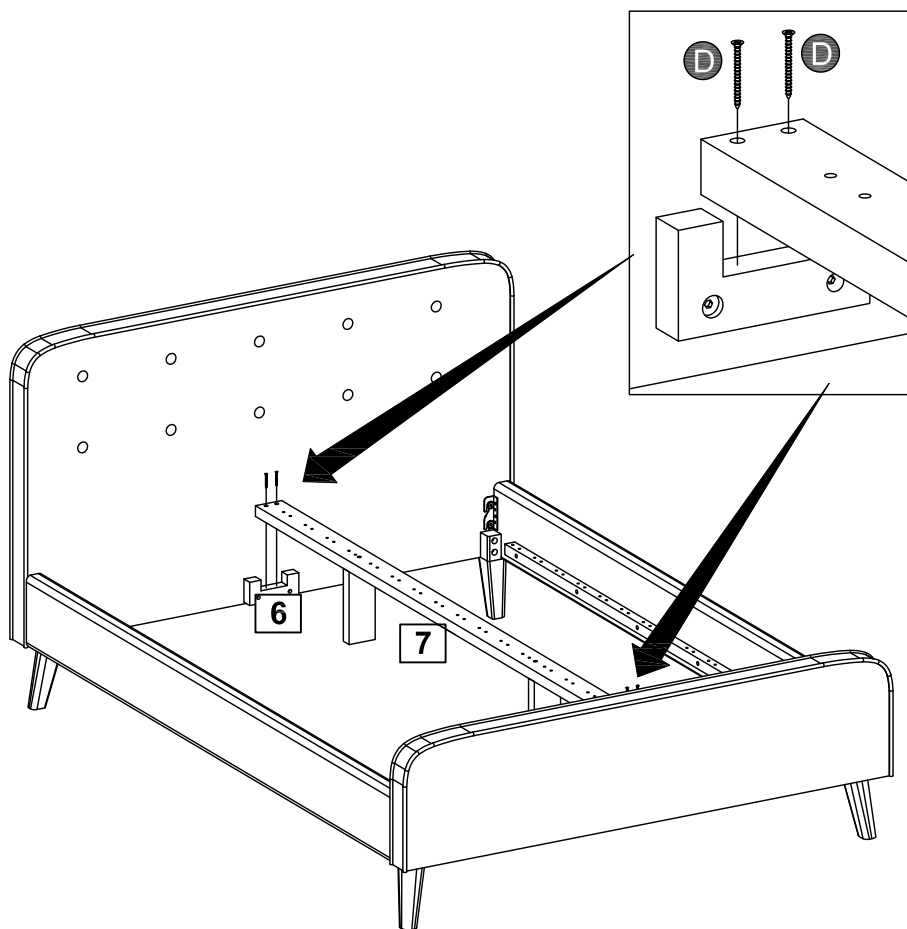
Attach Middle bar **7** onto middle foot **8** with Washers **C** and Bolts **A** using allen key **G**.



Assembly Instructions

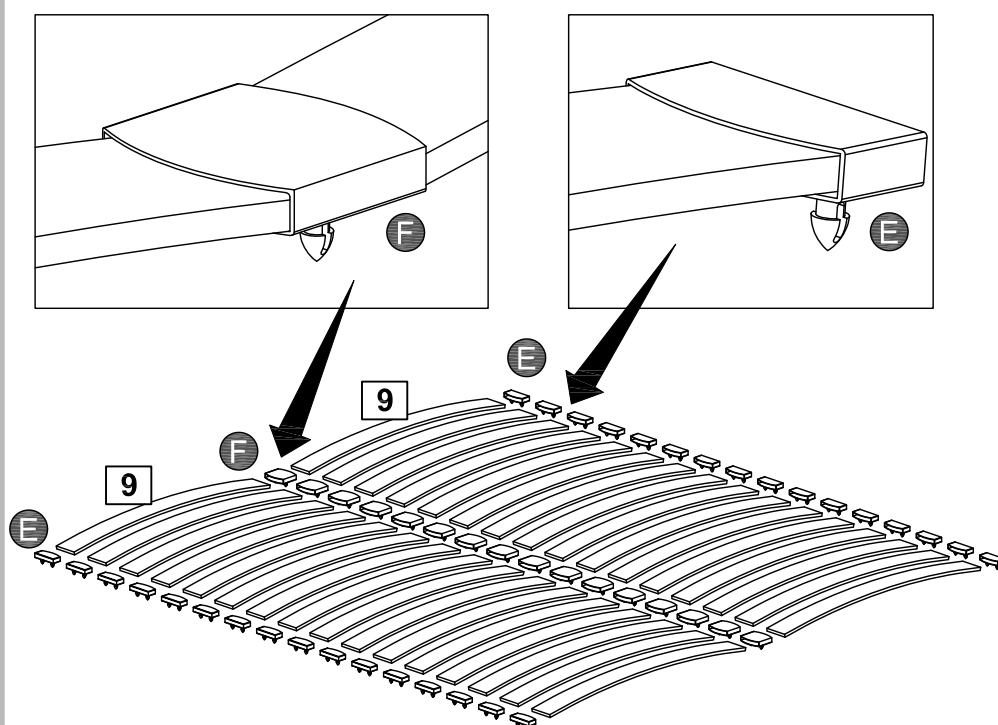
Step 7

Put Middle bar **7** on the "U" block **6**, use Screws **D** to fix them.



Step 8

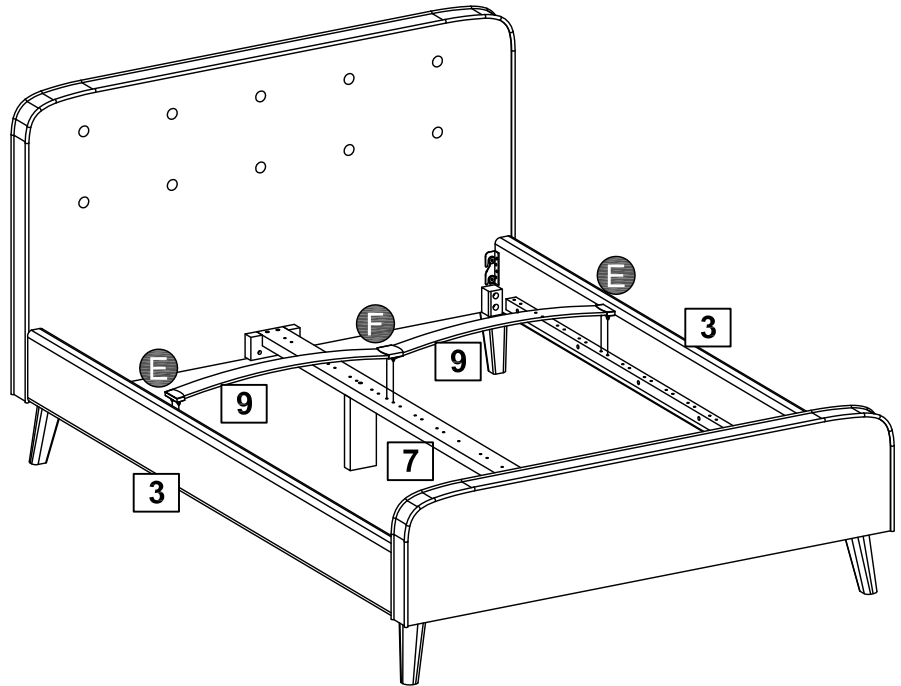
Place the plastic middle caps **F** and the plastic end caps **E** onto the slats **9** as shown.



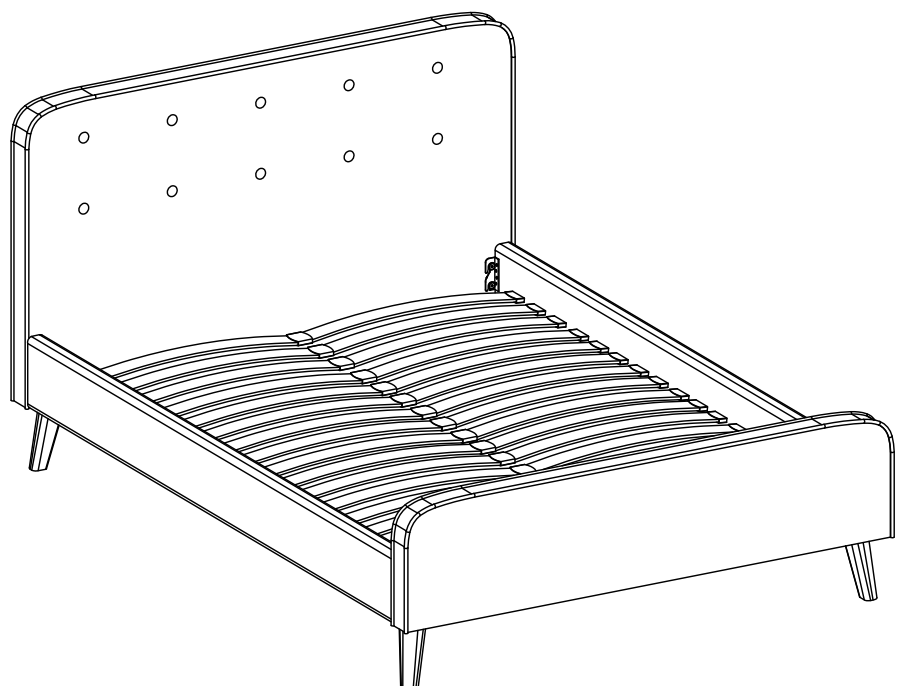
Assembly Instructions

Step 9

Inset plastic mid caps **F** and plastic end caps **E** onto bed side **3** and middle bar **7** as shown.



Step 10



Assembly is complete!