



White Knight

Service Manual for FF250IH
Integrated Fridge/Freezer

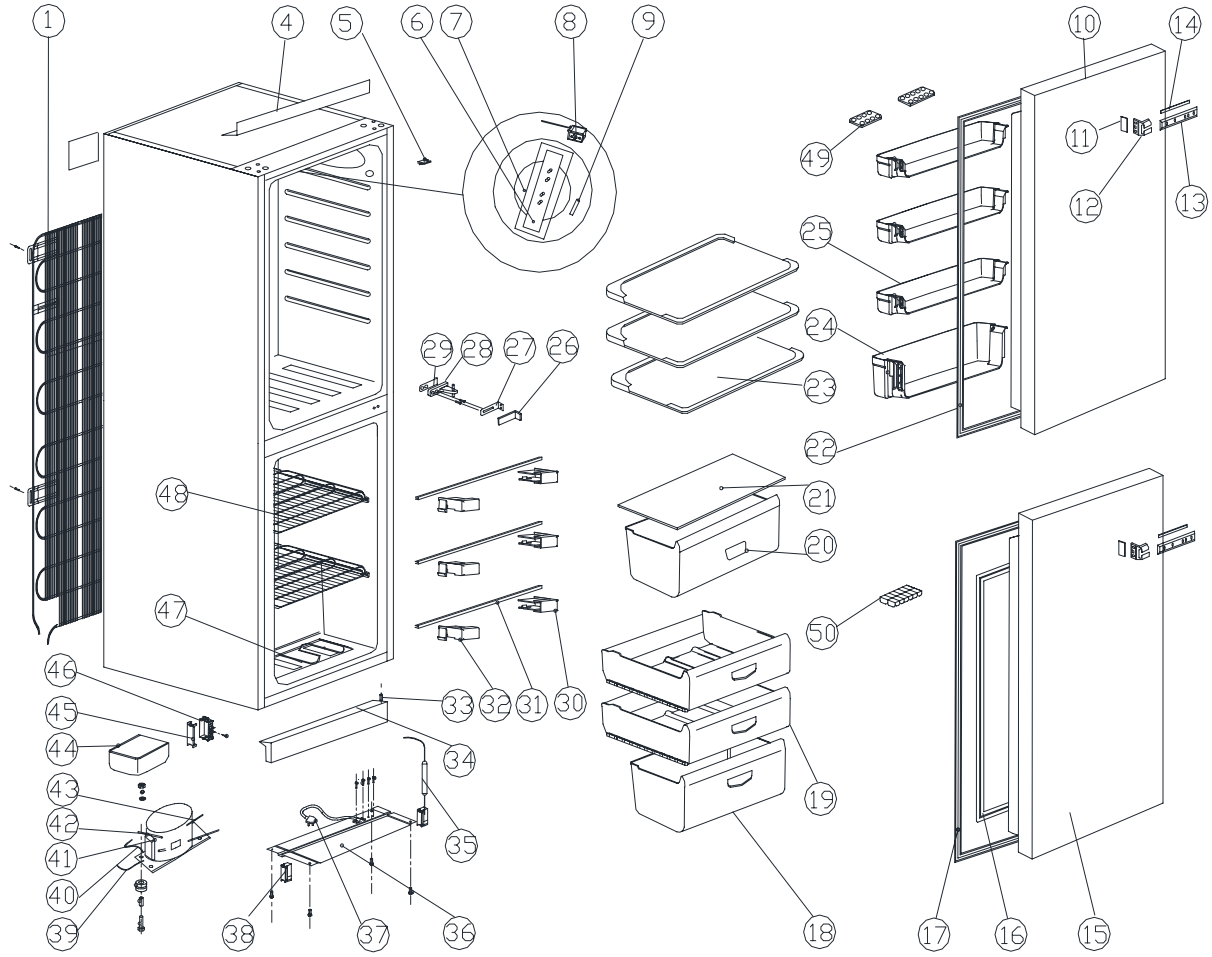
White Knight



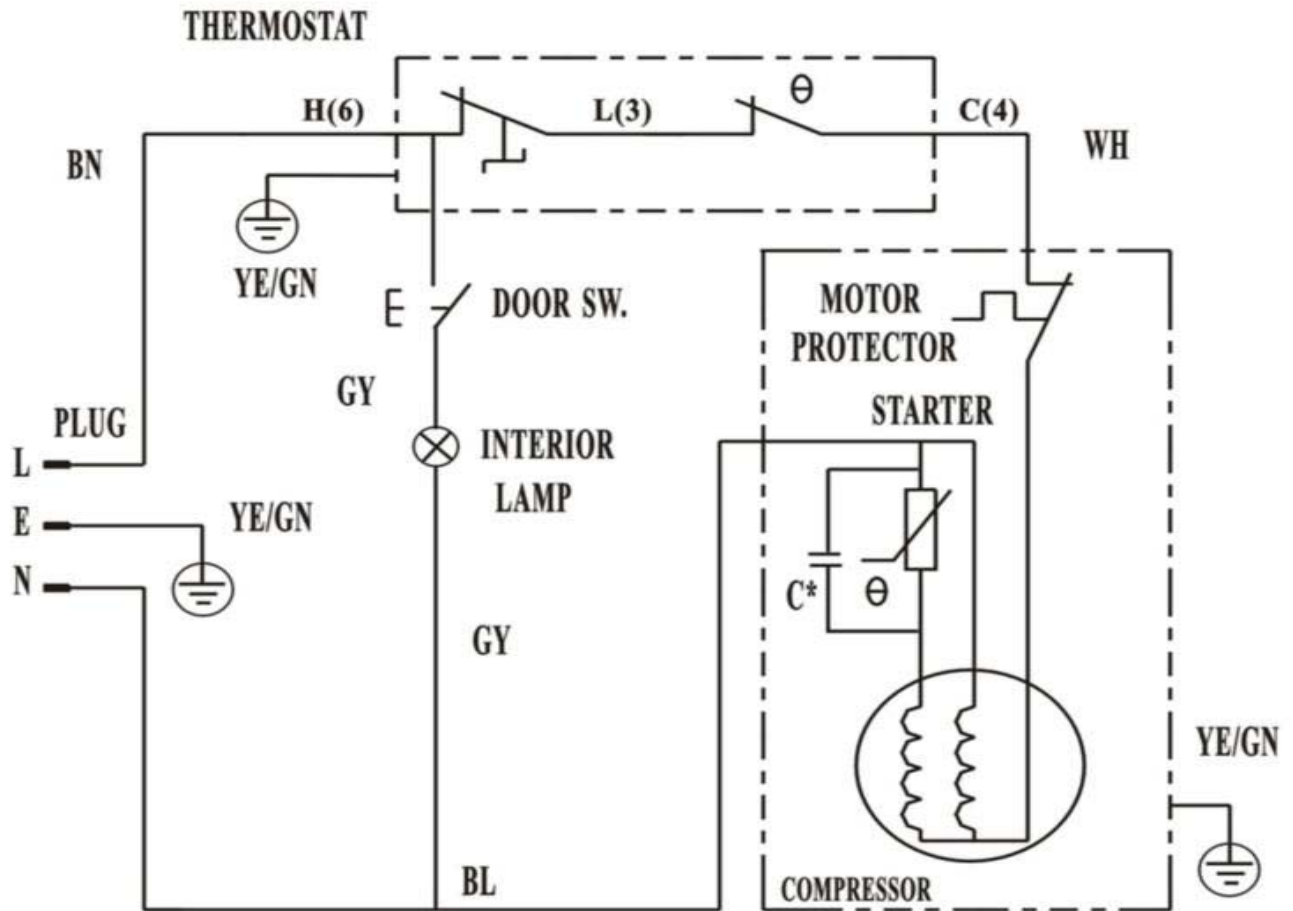
Exploded View
Electrical Diagram
Trouble Shooting Guide
Parts List

May 2014

Exploded View FF250IH



The electrical diagram



Trouble shooting guide

No	Problem	Possible Cause	What To Do
1	The refrigerator does not get cold at all.	Not plugged in.	Plug in
		Is the circuit breaker tripped or blown fuse?	Put on the home circuit breaker or change the new fuse.
		Is the refrigerator temperature control setted at "off"?	Set the temperature control knob at "4".
2	The refrigerator does not get cold enough.	Is the refrigerator control dialed set to correct location?	Set it to a colder temperature.
		Is the refrigerator placed in direct sunlight or closely a heat source?	Move the refrigerator to proper location.
		Is the door closed completely?	Close the door completely.
		Is the door opened too frequently or too long?	Open the door less often,
		Does the door gasket seal properly?	Make the gasket sealing properly.
		Is the refrigerator overloaded?	Load less food into it.
3	The food in the refrigerator is frozen	Is the refrigerator control dialed set to correct location?	Set it to a warmer temperature.
		Is the ambient temperature too low?	
4	Two sides of the cabinet are hot: condensation occurs.	Hot-pipe is installed in two sides of refrigerator. That makes refrigerator's temperture lowquckly and save the power	Normal state.
		Condensation can occur when you leave the door open for a long time.	Normal state.
5	Vibrations	The refrigerator is not level and firm.	Place the refrigerator in a level location.

6	The refrigerator is noisy.	Water bubbling comes from the refrigerant circulating of the refrigerator.	Normal state.
		Contraction and expansion of the insulation inside the walls may cause popping and cracking.	Normal state.
		Is the refrigerator unstable or touching the wall?	Keep the refrigerator leaving the wall.
		Is the refrigerator not level?	Adjust the refrigerator leveling.
7	The door can not close properly.	Were the doors not properly installed?	Assure the doors installed properly.
		Is the door gasket dirty and distortion?	Cleaning and flatting the door gasket.
8	The lamp does not work.	Has the home circuit breaker or fuse tripped?	Put on the home circuit breaker or change the new fuse.
		Is the refrigerator's door close completely?	Assure the door close completely.
9	Operating for all long time.	Is the ambient temperature too high?	
		Is the temperature controller in freezer chamber or in refrigerator chamber is set at "strong" position	Sets it at a right position.
		Too much food is loaded into the refrigerator and insufficient spaces for airflow.	Load less food into the refrigerator.
		The door were not closed completely or the gasket not sealing enough.	Close the doors completely or make the gasket sealing enough.
		Open the door too frequently.	Decrease the open-door times.

FF250IH Parts list

Item	Code	Description	Crosslee Code
1	20061497	Condenser	N/A
4	10050925	Top decorative plate	4213 092 60681
5	20050016	Door Switch	4213 092 60541
6	20050278	LED light	4213 092 60691
7	20014165	Lamp Cover	4213 092 60701
8	20060567	Thermostat	4213 092 60711
9	20015505	Thermostat Knob	4213 092 60721
10	10023732	Upper Door	4213 092 60731
11	20012971	Cover of door sliding jacket	4213 092 60671
12	20012973	Door sliding jacket	4213 092 60741
13	20012972	Door sliding bar	4213 092 60751
14	20012970	Cover of door sliding bar	4213 092 60761
15	10023733	Lower Door	4213 092 60771
16	20014196	Inner Door Gasket	4213 092 60781
17	20016250	Lower Door Gasket	4213 092 60791
18	20013558	Lower Drawer (ice blue)	4213 092 60381
19	20013260	Middle Drawer (ice blue)	4213 092 60801
20	20013126	Crisper drawer (ice blue)	4213 092 60811
21	10204643	Cover of Crisper Box	4213 092 60821
22	20016249	Upper Door Gasket	4213 092 60831
23	10203981	Shelf of refrigerator chamber	4213 092 60841
24	20012662	Lower Rack(ice blue)	4213 092 60851
25	20012663	Upper Rack(ice blue)	4213 092 60861
26	20014511	Limit block cover	4213 092 60871
27	20021698	Limit block	4213 092 60881
28	20021110	Middle Door Hinge	4213 092 60891
29	20012230	Cushion for Door Hinge	4213 092 60901
30	20011436	Right Position Block	4213 092 60911
31	20011376	Shelf breaker	4213 092 60921
32	20011445	Left Position Block	4213 092 60931
33	20021106	Axis of lower door hinge	4213 092 60941
34	20016252	Installation seat of door hinge assembly	4213 092 60951
35	20060086	Drier filter (for R600a)	N/A
36	10201405	Compressor Base Support	N/A
37		Power supply cord plug	4213 092 60641
38	20022290	Adjusting feet of compressor support base	N/A
39	20050009	Connecting wire of compressor	N/A
40	20050008	Earthing wire of compressor	N/A
41	20061077	Compressor	4213 092 60961
42	20061718	Process tube	N/A
43	20060046	Connecting tube (short)	N/A
44	20012807	Drain pan	N/A
45	20014437	Wire Box	N/A
46	20014438	Base of wire box	N/A
47	20060331	Bottom evaporator	N/A
48	20060868	Evaporator of freezer	N/A
50	20010030	Ice Cube Tray	4213 092 60971

51		Carton	N/A
----	--	--------	-----

At present spare parts are only available which have been allocated a Crosslee code number. If additional items are required, and don't have a Crosslee code number, Please contact Crosslee Spares Dept to check availability.