



White Knight

Larder Fridge

L130H

L240H

Instruction Manual

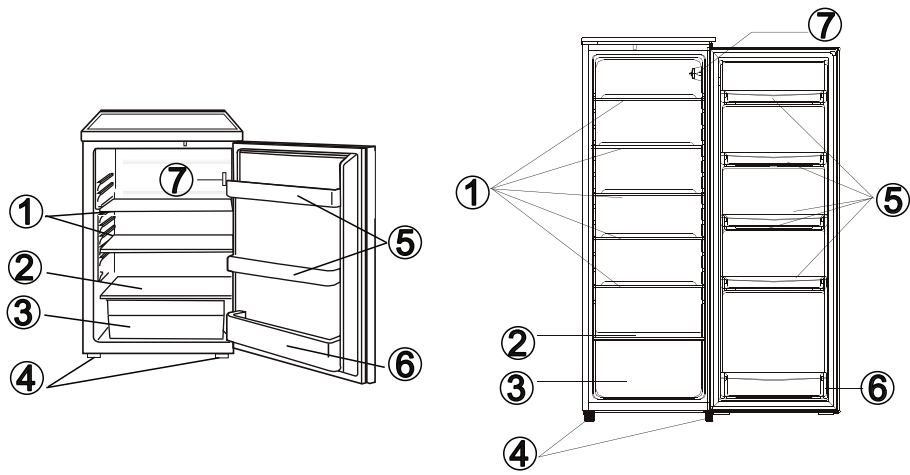
CKWK-D01

CONTENTS

Product introduction	2
Before using the appliance.....	3
Safeguarding the environment.....	3
Precautions and general recommendations	4
Installation	5
Installation	6
Using the refrigerator compartment	7
On-going maintenance of appliance	8
Troubleshooting guide.....	9
Changing the reversible door	10

■ Please read this users operation manual before using.

PRODUCT INTRODUCTION



1. shelves
2. Glass cover
3. Crisper box
4. Adjustable Feet
5. General door shelves
6. Bottle shelf
7. Thermostat control knob

BEFORE USING THE APPLIANCE

- Your new appliance is designed exclusively for domestic use.

To get the most out of your new appliance, read the user handbook carefully. It contains a description of the appliance as well as useful tips.

Keep this handbook for future consultation.

1. After unpacking the appliance, make sure that it is undamaged and that the doors close correctly. Any damage must be reported to the dealer within 24 hours of delivery of the appliance.
2. Wait at least two hours before switching the appliance on, to ensure that the refrigerant circuit is fully efficient.
3. Installation of the appliance and electrical connections must be carried out by a qualified electrician, in accordance with the manufacturer's instructions and local safety regulations.
4. Clean the inside of the appliance before use.

SAFEGUARDING THE ENVIRONMENT

1. Packaging


The packaging material is 100% recyclable and carries the recycling symbol. Follow local regulations for scrapping.

Keep packing materials (plastic bags, polystyrene parts, etc.) out of the reach of children, as they are a potential source of danger.

2. Scrapping/Disposal

The appliance is manufactured using recyclable material.

This appliance is marked according to the European directive 2002/96/EC on Waste Electrical and Electronic Equipment (WEEE). By ensuring that this appliance is scrapped suitably, you can help prevent potentially damaging consequences for the environment and health.

The symbol  on the appliance, or on the accompanying documents, indicates that this appliance should not be treated as domestic waste but must be taken to a special collection centre for the recycling of electrical and electronic equipment.

When scrapping the appliance, make it unusable by cutting off the power cable and removing the doors and shelves so that children cannot easily climb inside and become trapped. Scrap the appliance in compliance with local regulations on waste disposal, taking it to a special collection centre; do not leave the appliance unattended even for a few days, since it is a potential source of danger for children. For further information on the treatment, recovery and recycling of this product, contact your competent local office, the household waste collection service or the shop where you purchased the appliance.

Information:

This appliance does not contain CFCs.

The refrigerant circuit contains R134a (HFCs) or R600a (HCs), see the rating plate inside the appliance.

Appliances with isobutane (R600a): Isobutane is a natural gas of low environmental impact.

Caution is required, however, since isobutane is flammable. Therefore, ensure that refrigerant circuit pipelines are not damaged.

Declaration of conformity

This product has been designed for preserving food and is manufactured in compliance with Regulation (CE) No. 1935/2004.



This product has been designed, manufactured and marketed in compliance with:

- the safety objectives prescribed in the Low Voltage Directive 2006/95/EC
- the protection requirements of the EMC Directive 2004/108/EC

Electrical safety of the appliance can only be guaranteed if it is correctly connected to an approved earthing system.



PRECAUTIONS AND GENERAL RECOMMENDATIONS

- The appliance must be handled and installed by two or more persons.
- Be careful not to damage the floors when you move the appliance (e.g. parquet flooring).
- During installation, make sure the appliance does not damage the power cable.
- Check the appliance is not positioned near a heat source.
- To guarantee adequate ventilation, leave a space on both sides and above the appliance and follow the installation instructions.
- Keep the appliance vent outlets free.
- Do not damage the appliance refrigerant circuit pipes.
- Install and level the appliance on a floor strong enough to take its weight and in a place suitable for its size and use.
- Install the appliance in a dry and well ventilated area. The appliance is intended for operation in environments where ambient temperatures fall within the following ranges, depending on the climatic class indicated on the data plate. The appliance may not work properly if it is left for a long time at a temperature outside the specified range.

Climatic Class	Amb. temp. (°C)	Amb. temp. (°F)
SN	From 10 to 32	From 50 to 90
N	From 16 to 32	From 61 to 90
ST	From 18 to 38	From 64 to 100
T	From 18 to 43	From 64 to 110

- Ensure that the voltage indicated on the appliance data plate corresponds to the domestic supply voltage.
- Do not use single/multiple adapters or extension cables.
- For the water connection, use the pipe supplied with the new appliance; do not reuse the one from the previous appliance.
- Power cable modification or replacement must only be carried out by qualified personnel.
- Electrical disconnection must be possible either by unplugging the appliance or by means of a double-pole switch located upline from the socket.

SAFETY

- Do not store or use petrol, flammable liquids or gas in the vicinity of this or other electrical appliances. The fumes can create a fire hazard or explosion.
- Do not use mechanical, electric or chemical means other than those recommended by the Manufacturer to speed up the defrost process.
- Do not use or place electrical appliances inside the product if they are not of the type expressly authorised by the Manufacturer.
- The appliance is not intended for use by persons (children included) with restricted physical, sensory or mental abilities or without experience and knowledge of the appliance, unless they are under the supervision or instruction of a person responsible for their safety. Do not allow children to play or hide inside the appliance - risk of becoming trapped and suffocating.
- Do not swallow the contents (non-toxic) of the ice packs (in some models).
- Do not eat ice cubes or ice lollies immediately after taking them out of the freezer since they may cause cold burns.

USE

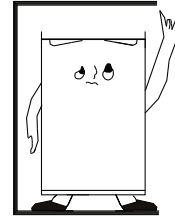
- Before carrying out any maintenance or cleaning, always unplug the appliance or disconnect the power supply.
- All appliances equipped with ice-makers and water dispensers must be connected to a water supply that only delivers potable water (with mains water pressure of between 0.17 and 0.81 MPa (1.7 and 8.1 bar)). Ice makers and/or water dispensers not directly connected to the water mains must be filled using potable water only.
- Use the refrigerator compartment to store fresh food only and the freezer compartment to store frozen food, to freeze fresh food, and to make ice cubes only.
- Do not store glass containers with liquids in the freezer since they may burst.

The Manufacturer declines any liability if the above advice and precautions are not respected

INSTALLATION

- **Well Ventilating**

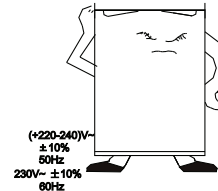
There is need of good ventilation around the refrigerator for easy dissipation of heat, high efficiency of refrigeration and low power consumption. For this purpose, sufficient clear space should be need around the refrigerator. Its back is at least 100mm away from the wall, its sides at least have a space of 100mm separately and the height from over its top is not less than 200mm. A clear space should be left to open its doors to 160



- **Power Supply**

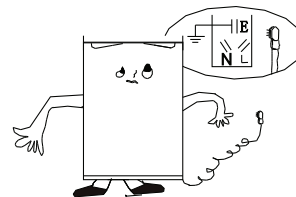
The refrigerator is only applied with power supply of single phase alternating current of $(220-240)V\sim/50Hz$. If fluctuation of voltage in the district user is of so large that the voltage exceeds the above scope, for safety sake, be sure to apply a.c. automatic voltage regulator to the refrigerator. The refrigerator must employ a special power socket instead of common one with other electric appliances. Its plug must match the socket with ground wire.

WARNING! This appliance must be earthed.



- **Power Line Cord**

The cord should be neither lengthened nor folded into coil during operation. Moreover, it is forbidden that cord is kept close onto the compressor at the back of the refrigerator, the surface temperature of which is quite high when operating. Touching with it would deactivate the insulation or cause leakage for electricity.



- **Protection from Moisture**

Avoiding placing the refrigerator in a place where heavy moisture is present so as to minimize possibility of rusty for its metal parts. Still more, the refrigerator is forbidden to be directly sprayed by water, otherwise, poor insulation and current leakage would occur.



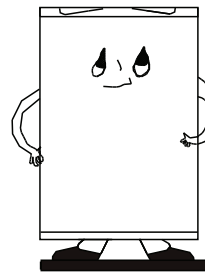
- **Protection from Heat**

The refrigerator should be far away from any heat source or direct sunshine.



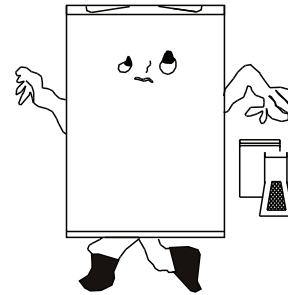
- **Fixing Stable**

Floor on which refrigerator will be placed must be flat and solid. It should not be laid on any soft material such as foam plastic, etc. If the refrigerator is not on the same level, adjust the screws suitably. The refrigerator should not be placed near anything which may echo.



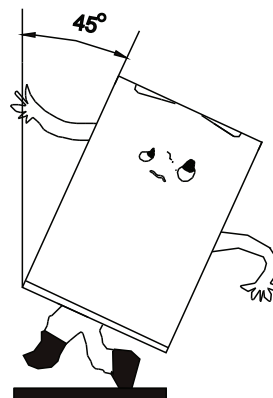
- **Keep Away from Danger**

It is inadvisable that the refrigerator is placed near any volatilizable or combustible such as gas, petrol, alcohol, lacquer and banana oil, etc. The above-mentioned objects can not be stored in the refrigerator.



- **Moving**

When fixed or moved, the refrigerator can not be set horizontally or declined to more than 45° or upside-down.



USING THE REFRIGERATOR COMPARTMENT

Switching on the appliance

Starting up the appliance

The appliance features internal controls.

Plug in the appliance.

When the appliance is connected to the mains, the inside light switches on each time the door is opened. The thermostat, located inside the refrigerator compartment, is used to adjust the temperature of refrigerator compartment.

Appliance temperature adjustment:

- When operating the refrigerator for the first time, set the thermostatic dial at 3, connect the electric wire and run it without loading any food. Usually this takes 2 or 3 hours. Then set the thermostatic dial at the desired setting and place foods into the refrigerator.
- The temperature of the refrigerator can be adjusted by turning the thermostatic dial. Setting of the thermostatic dial at 3~4 is the most suitable for general operation. The thermostatic dial number higher the refrigeration capability stronger.

Note:

The ambient air temperature, frequency of door opening and the position of the appliance can affect internal temperatures. These factors must be taken into account when setting the thermostat.



Arranging and storing food in the fridge section

- **Warm food or evaporating liquids should not be stored in your refrigerator, as this will increase the humidity inside of the appliance.**
- **All foods should be wrapped or covered, this is particularly important if the food has a strong flavour. You should use polythene bags or sheets, aluminium foil, wax paper. Liquids should be stored in covered containers or bottles.**
- **To maximise the space inside of the fridge section, any excessive packaging on the food should be removed.**
- **Quickly perishable food should be stored at the back of the refrigerator, which is the coldest part of the appliance.**
- **No food items should be allowed to come into contact with the back wall of the refrigerator.**
- **Make sure that you arrange food in such a way that the door can close completely. Particular attention should be given to bottles that may protrude when placed on shelves inside the main section of the refrigerator.**
- **Some organic solutions, such as the oils in lemon/orange peel and acid in butter, can cause damage to the plastic parts contained inside of the refrigerator.**
- **Do not open the refrigerator door too often or leave the door open for long periods of time, as this will increase the temperature inside of the appliance.**
- **Meat should be wrapped in polythene bags and then placed on the glass shelf above the salad drawers.**
(Meat should only be stored in this manner for one or two days at most)
- **Cold dishes/cooked food should be covered and be placed on any shelf.**

- Fruit and vegetables should be cleaned thoroughly and placed in the salad drawer.
- Cheese and butter should be placed in airtight containers, or they can be wrapped in aluminium foil or polythene bags. As much air as possible should be removed from the bags.
- Milk bottles should have a cap on them and be stored on the bottle shelf that sits in the door.
- Garlic, potatoes, onions and bananas should only be stored in a refrigerator if they are kept in airtight containers.

ON-GOING MAINTENANCE OF APPLIANCE

Before any cleaning or maintenance operation, unplug the appliance from the mains or disconnect the electrical power supply.

• DEFROSTING

Defrosting of the refrigerator compartment is completely automatic.

Droplets of water on the rear wall of the refrigerator compartment indicate that the periodic automatic defrost cycle is in progress. The defrost water is automatically routed to a drain outlet and into a container from which it evaporates.

• CLEANING AND MAINTENANCE

Clean the interior with water and bicarbonate of soda using a sponge or a dishcloth to prevent any bad smells occurring.

Never, under any circumstances, use solvents or abrasive detergents because these could damage the interior of your appliance. Also do not put any of the interior's accessories in the dishwasher.

We recommend that you dust the back of the appliance with a cloth once a year because if it is dirty, your refrigerator's output reduces and its consumption increases.

• REPLACING BULBS

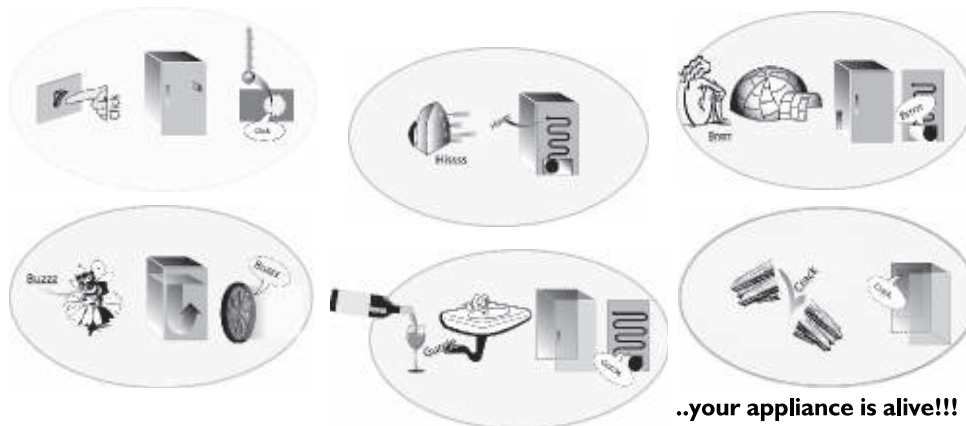
When replacing the bulb, proceed as follows:

- Unplug the appliance from the mains
- Squeeze the tabs on the sides of the lamp cover and remove it.
- Replace the bulb with a new one.
- Put the lamp cover back on and wait 5 minutes before plugging the appliance back into the mains.



TROUBLESHOOTING GUIDE

When you hear these noises



..your appliance is alive!!!

1. The appliance is not working.

- Is there a power failure?
- Is the power cord in perfect condition?
- Is the plug properly inserted in the socket?
- Has the fuse blown?
- Is the thermostat set to ● (Stop) or ❄ (defrost)?

2. Temperature inside the compartments is not low enough.

- Is the door shut properly?
- Is there an excessive frost build-up in the low temperature compartment?
- Is the appliance installed near a heat source?
- Is the thermostat setting correct?
- Are the air circulation vents blocked?

3. Temperature inside the refrigerator compartment is too low.

- Is the thermostat setting correct?

4. The appliance is excessively noisy.

- Has the appliance been installed correctly?
- Are the pipes at the back touching or vibrating?

5. Water collects at the bottom of the refrigerator compartment.

- Is the thermostat setting correct?

6. The inside light is not working.

- Is there a power failure?
- If not, unplug the appliance from the mains, remove the cover and check the bulb has not come loose. If necessary, replace the bulb with a new one (max 15 W).

Notes:

Gurgling and hissing noises due to expansion in the refrigerant circuit are normal.

CHANGING THE REVERSIBLE DOOR

This refrigerator has the capability of having the door open from the left or right side. The unit is delivered to you with the door opening from the left side. Should you desire to reverse the opening direction, please follow these instructions.

NOTE:

Before reversing the door, the power must be shut off.

All parts removed must be saved for the reinstallation of the door.

Now follow the instructions below:

1. Remove the screws (6) which fix the worktop(7) to disassembly the worktop.
2. Remove the two screws (1) that hold the upper hinge (5) (right side) to the frame. Take away the upper hinge (5).
3. Lift the door and place it on a padded surface to prevent scratching it.
4. Remove the two screws(8) that hold the lower hinge(2) and Make sure to Remove the lower hinge(2).
5. Remove the left front leg (4) and transfer it to the right side.
6. Before placing this lower hinge(2), remove the bolt-pin (9) and reverse the direction of the lower hinge(2). Then install the lower hinge (2) onto the left side of the lower frame with two screws (8).
7. Insert the bolt-pin(9) to the lower hinge (2).
8. Set the door to its place making sure the door seat at the lower hinge(2) .
9. While holding the door in the closed position secure the upper hinge (5) in the top frame of left side with two screws (1). Please remember that do not tighten the two screws(1) until the top of the door is levelled with the counter top.
10. Install the worktop onto the top of the cabinet with screws(6) .

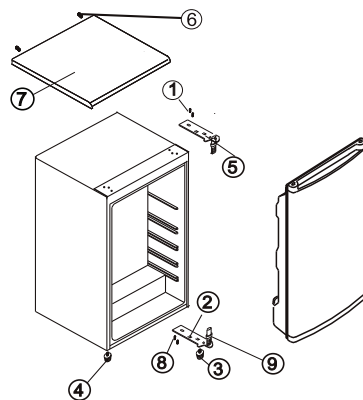


FIGURE 1

Door opening from left side

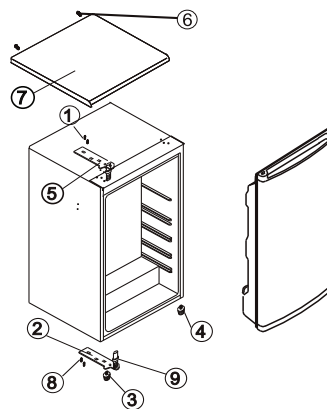


FIGURE 2

Door opening from right side

CE

