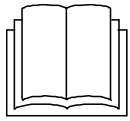


INSTRUCTIONS FOR USE CONDENSER TUMBLE DRYER



White Knight 96A



IMPORTANT: PLEASE READ THESE INSTRUCTIONS THOROUGHLY BEFORE USING THIS APPLIANCE. KEEP THEM IN A SAFE PLACE FOR FUTURE REFERENCE.

IMPORTANT USER INFORMATION

- This tumble dryer is intended for **NORMAL DOMESTIC USE ONLY**.
- Please note it is not recommended that the dryer is placed directly next to ovens, cookers or other heating appliances as the performance of the dryer may be affected.
- A carpet must not obstruct the ventilation openings in the base of the dryer.
- Do not stack the tumble dryer on top of other appliances without the correct stacking kit.
- Any electrical work required to install the appliance should be carried out by a qualified person.
- It is important to clean the lint filter after each drying cycle and the condenser every month or the restrictions to airflow will extend drying times and could cause the safety cut-out to trip.
- Under no circumstances should anything other than the recommended articles be placed in the tumble dryer.

- The tumble dryer should be serviced by an appointed service organisation and only genuine parts used.
- It is dangerous to alter or modify the product in any way other than fitting authorized accessories.
- We recommend that the appliance is unplugged each time after use. It should always be disconnected from the electricity supply for long periods (i.e. weekends, holidays etc.)
- The rear of the dryer gets quite hot during use. Position the dryer so that the back is not accessible while in operation, but ensure that the sides have a space available to allow airflow.
- The special mains cable and plug assembly must only be replaced with a genuine part from the manufacturer or our appointed service agent.

It is important to clean fluff from the window of the dryer and around the door seal after each drying cycle. Failure to do so could result in water leaking.

- This appliance can be used by children aged from 8 years and above and persons with reduced physical, sensory or mental capabilities or lack of experience and knowledge if they have been given supervision or instruction concerning use of the appliance in a safe way and understand the hazards involved. Children shall not play with the appliance. Cleaning and user maintenance shall not be made by children without supervision. Children of less than 3 years should be kept away unless continuously supervised.

Fabric softeners, or similar products, should be used as specified by the fabric softener instructions.

WARNING: Never stop a tumble dryer before the end of a drying cycle unless all items are quickly removed and spread out so that heat is dissipated.

Remove all objects from pockets such as lighters and matches.

DO NOT use a two-way adaptor, or extension lead. The dryer must be connected to its own socket.

DO NOT block the air inlets at the front, base, rear and side of your dryer.

DO NOT allow fluff to accumulate around the tumble dryer.

Risk of fire

DO NOT exceed the recommended maximum load.

DO NOT dry unwashed items in the tumble dryer

DO NOT place articles in the dryer if anything other than a water solution has been used in the cleaning process.

DO NOT attempt to dry dripping wet articles.

DO NOT use the tumble dryer if you suspect that it is damaged in any way. Under no circumstances should you attempt to repair the appliance yourself. Repairs carried out by inexperienced persons may cause serious injury. Consult your local appointed service engineer and insist on genuine spare parts.

INSTALLATION

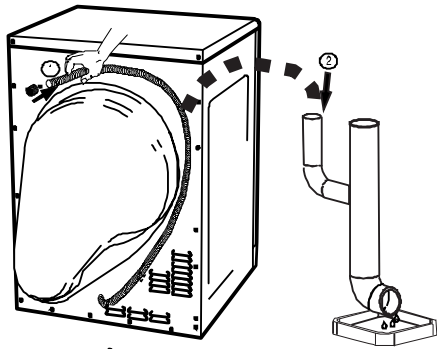
Position the tumble dryer so that the plug remains accessible after installation. Do not block the vent at the front or base of the dryer, as this will impair the working of the machine. This appliance must not be installed behind a lockable door, a sliding door or a door with hinges on the opposite side to that of the tumble dryer.

DRAINAGE OPTIONS

Your new tumble dryer is fitted with an internal drain pump, which gives you the option of being able to drain condensed water to its water bottle, or to your household waste pipe. Connecting your dryer to a household waste pipe will mean you will not need to periodically empty the water bottle. As supplied, the drier will drain the water to its bottle. If you wish to convert the dryer so that its water is diverted to a household waste pipe, follow the simple instructions below:-

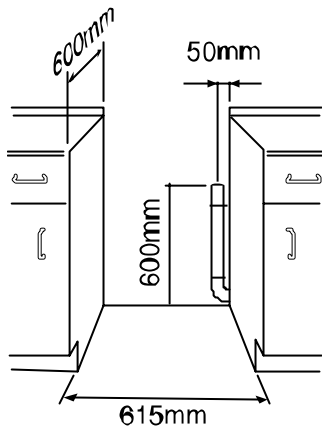
1/ Pull the drain hose from the valve at the top of the unit.

2/ Fit the drain hose into your household waste pipe, ensuring a gap between the end of the hose and any water in the waste pipe.



To return your dryer back to taking the condensed water to the water bottle, simply fit the drain hose back to the valve at the top of your dryer.

If the drain hose is not long enough to reach your waste pipe, a drain extension kit can be obtained from your retailer (part number 4213 089 8778).

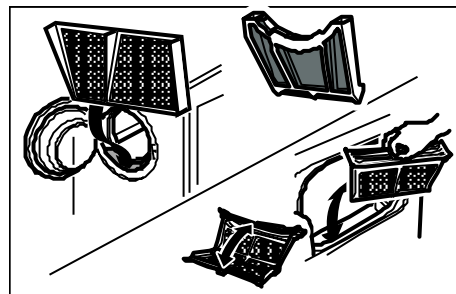


The illustration shows the minimum space required by the dryer and the position of the waste-pipe within this space and behind the dryer. If a trap is fitted it must not obstruct the air inlet at the back of the dryer. The waste pipe can be positioned on either side of the dryer.

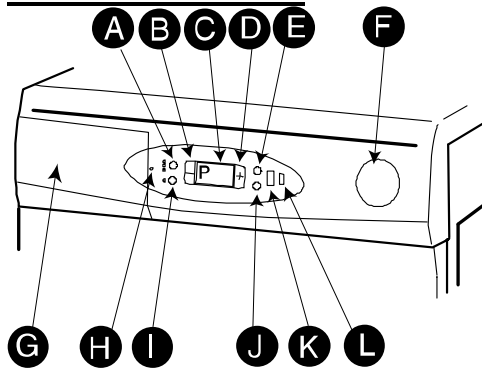
If the waste pipe is used by the dryer and a washing machine then its diameter must be large enough to contain both hoses - 1.5" bore (38mm) minimum.

FINAL INSTALLATION

Open the control panel door, remove the water bottle and then replace it in position ensuring that it is pushed in firmly. Push the filter into its operating position as shown in the diagram. If you wish to change the side on which your door opens, see the instructions on the back page. Remove any dust by wiping the drum and door with a damp cloth. Any initial smell of burning will be caused by dust on the heater and will quickly disappear.



THE CONTROLS



- A.** Heat push button, press to select appropriate heat setting (some programs have limited choice of heat setting). High is used for drying cottons and linens; half heat is used for drying synthetics and delicates; cool does not apply any heat.
- B.** “-” push button, changes program or time selected downwards
- C.** Display Window, indicates program number / drying time / delay time
- D.** “+” push button, changes program or time selected upwards
- E.** Start push button, push to start the drying cycle
- F.** Activate push button, press to illuminate the Display Window.
- G.** Program Chart (printed on control panel door, press to open).
- H.** Bottle Full warning light
- I.** Anti-crease push button, press to select anti-crease mode. Indicator illuminates when anti-crease has been selected and flashes when the dryer is in the anti-crease phase of the cycle
- J.** Reset push-button, resets the program to the default settings
- K.** Delay Start display, shows delay time selected
- L.** Delay Start push button, press to select delay start mode and set delay time

MOISTURE SENSING DRYER – FUNCTIONS

This sensing tumble dryer has a full moisture sensing system so you can choose the level of dryness required on your clothing/items. Alternatively you can select a timed drying cycle.

P1 – Extra dry: clothes are extra dry and can be put away

P2 – Cupboard dry: clothes are dry enough to be put away

P3 – Mid dry: depending upon fabric, clothes are generally dry enough to be put away

P4 – Extra iron dry: clothes are almost dry but can be easily ironed

P5 – Iron dry: clothes are slightly damp and ready to be ironed

P6 – Damp dry: clothes are damp and ready to be ironed

Programs 1-6 can be operated on the full heat, half heat or cool setting.

P7 – 30 minute fixed time drying program. This program can be operated on the full or half heat setting.

P8 – 30 minute fixed time ‘airing’ program; useful for freshening up clothing. This program operates without the heater, circulating air through the dryer at the ambient temperature.

P9 – Variable Time program – can be set from 10 min. to 180 min. drying time and can be operated on the full heat, half heat or cool setting. To return from a time program to the main menu, press the Reset button.





All programs can be used with the Delay Start feature. A maximum of 9 hours delay time is available in 1 hour increments.

The anti-crease function can be selected to minimize creasing by continuing to turn the drum periodically after the main drying cycle has finished.

PREPARATION

Check care labels inside the garments.

CARE LABELS YOU MAY FIND ON YOUR FABRICS

 Suitable for tumble drying
 Tumble dry using full heat
 Tumble dry using half heat
 Do not tumble dry

Do not tumble dry woollen or wool mixture articles unless the article is labelled as being suitable. This should avoid shrinkage.

Place delicate articles e.g. tights, scarves, inside a pillowcase.

To avoid the need to iron easy-care polyester/cotton items it is better to only dry small loads (i.e. half fill drum). It is better to dry small and large articles together.

Fabric softeners, or similar products, should be used as specified by the Fabric Softener instructions. Do not overload the dryer or dry large bulky items such as duvets or sleeping bags as it is important that the airflow through the dryer is not obstructed.

Items that have been soiled with substances such as cooking oil, acetone, alcohol, petrol, kerosene, spot removers, turpentine, waxes and wax removers should be washed in hot water with an extra amount of detergent before being dried in the tumble dryer.

Items such as foam rubber (latex foam), shower caps, waterproof textiles, rubber-backed articles and clothes or pillows fitted with foam rubber pads should not be dried in the tumble dryer.

OPERATION

For energy labeling purposes (EN61121:2005) for a cotton dry load, use the maximum load weight for cotton and set the timer to the recommended drying time for cotton dry as specified on the control panel.

The standard cotton programme is suitable to dry normal wet cotton laundry. It is the most efficient programme in terms of energy consumption for drying wet cotton laundry.

If your appliance is Reversing, large door opening a full load will typically take 126 minutes and will use approximately 4.67kWh of electricity. A half load will typically take 77 minutes and will use approximately 2.64 kWh of electricity.

If your appliance is Reversing, small door opening a full load will typically take 130 minutes and will use approximately 4.77kWh of electricity. A half load will typically take 75 minutes and will use approximately 2.56 kWh of electricity.

The power consumption of the off-mode and the left-on mode is zero.

Open the door.

Load clothes loosely into the drum. Load sheets first, starting with one corner.

Close the door.

Dry your hands.

Plug in the machine and press the Activate button. The Display Window will illuminate. If no further buttons are pressed, the display will go into sleep mode after 1 minute. To reactivate, press the Activate button.

The dryer will automatically remember the program and heat setting last used. To change the program use the (-) or (+) buttons on either side of the display window. Change the heat setting if required.

If P9 (variable time program) has been selected press the coloured Start button. A default of 120 minutes will appear in the display window. Use the (-) or (+) buttons to adjust the drying time for your laundry from 10 minutes up to 180 minutes. Holding the button down will rapidly change the time selected.

Select anti-crease function if required.

Press the coloured Start button to commence the drying cycle. The drum will begin rotating and will stop automatically when your clothes are dry or the timed cycle has finished. An audible alert will sound to indicate that the drying cycle has finished.

If you have selected the anti-crease function, the drum will continue to turn periodically for up to 8 hours or until the dryer is stopped by opening the dryer door or by disconnecting the dryer from the mains.

If the door is opened during a cycle the dryer will stop. To restart, close the door and press the Activate button then press the coloured Start button.

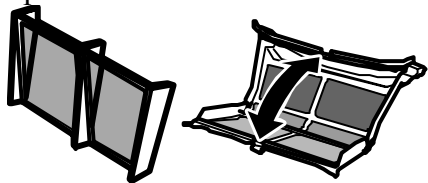
There is an automatic 12 minute cool down period at the end of each cycle, during which the heater is switched off and the green cool indicator is on. This helps to minimize creasing, and must always be used fully to avoid the risk of fire.

DELAY START

To use the Delay Start feature press the Delay Start button before pressing the Start button. The Delay Start display will show 1 hour of delay time. Repeated pressing, or holding down, of the Delay Start button will increase the amount of delay time to a maximum of 9 hours. To cancel Delay Start, press the Reset button. To start the delay period press Start. The delay time will start to count down in the Display Window. To cancel Delay Start once the countdown has started, de-power the machine by opening the dryer door.

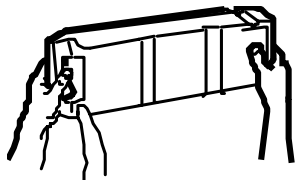
NEVER SWITCH THE DRYER OFF AND LEAVE A HOT LOAD IN THE DRUM DUE TO THE RISK OF FIRE.

ALWAYS CLEAN THE FILTER AFTER EACH USE. Failure to do so could cause the safety cut-out to operate.



- Pull the filter upwards and away from the appliance.
- Remove any threads or fluff by hand or with a soft brush.
- Slide the filter back.
- Wash the filter occasionally in detergent solution using a soft brush to remove small particles.
- If your filter becomes damaged, replace it to ensure no damage is caused to the dryer.

ALWAYS EMPTY THE WATER BOTTLE



- Open the control panel door, pull out and empty the bottle.
- Replace the bottle ensuring that it is pushed all the way in - if it is not, the dryer will turn but the heat will not operate.
- If the dryer is connected to a drain there is no need to empty the bottle but it must be correctly fitted to the machine.

THE CONDENSER

The condenser and ducting should be cleaned monthly or more frequently if the dryer is in constant use. See “**CLEANING THE CONDENSER**” below.

NOTE: The condenser will discolour through use.

REMOVING THE CONDENSER

- Firmly pull the condenser out.

RE-INSTALLING THE CONDENSER

- Carefully push the condenser back into the machine, until it is pushed fully home and a “click” is heard.

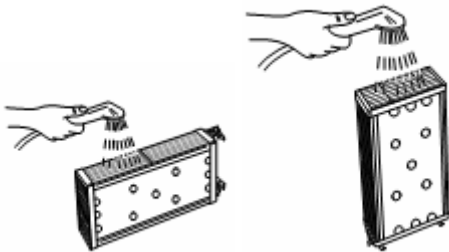
IMPORTANT:

- Ensure all lint and fluff is removed from around the seals before closing or water may leak.
- The dryer may leak if the condenser is not correctly re-installed.

CLEANING THE CONDENSER

CAUTION: For maximum efficiency, the plates are made from very thin aluminum and are easily damaged. Do not try to poke anything between the plates or use a hard object or tool for cleaning. At all times, handle the condenser carefully and avoid crushing the plates.

- Remove the condenser (see above).
- Flush the fluff from between the plates under running water and carefully shake off excess water.



Whilst the condenser is removed, clean as much fluff as possible from inside the ducting by reaching a hand into the machine. In particular, keep the passage from the fan clear (on the right hand side of the condenser duct).

After cleaning, re-install the condenser (see above).

ANY PROBLEMS

If the clothes are not dry after normal drying time:

- Check that you used the correct heat setting.
- Check that the lint filter has been cleaned. A blocked filter will restrict the airflow.
- Check that the condenser unit and associated duct work are clean. If blocked, these will restrict the airflow.
- Check that your dryer is heating – the area below the door should feel warm to the touch after the first 10-15 minutes of its programme.
- Check that the bottle full warning light is off. If it is on then the bottle may be full or incorrectly fitted.

Failure to heat may indicate the safety cut-out has operated. To reset, simply press the red button at the rear of the machine. If it has operated then a sharp “click” will be heard.

This cut-out only operates if the airflow is severely restricted so make sure the filter is clean and that all other restrictions are removed before re-starting.

If the cut-out continues to operate after checking the above points, you should contact your service agent.

Check that the machine has the correct weight load in the drum before starting the appliance.

If your machine does not work check the following before calling a service engineer:-

- Check that there is a supply of electricity.
- Check that the Activate button has been pressed and that the Display is illuminated.
- Check that the door has been properly closed.
- Check that the water bottle has been withdrawn from, and replaced into the machine. The bottle full warning light should be off.
- Check the fuse in the moulded plug.

CUSTOMER ADVICE – BEFORE CALLING FOR ASSISTANCE

If the clothes are not dry after normal drying time:

- Check that you used the correct heat setting.
- Check that you have not set the timer within a cool down period.
- Check that the lint filter has been cleaned. A blocked filter will restrict the airflow.

–Check that your dryer is heating - below the door to the left side, should feel warm to the touch after the first 10-15 minutes of its programme.

Failure to heat may indicate the safety cut-out has operated. To reset, simply press the red button at the rear of the machine. If it has operated then a sharp “click” will be heard.

This cut-out only operates if the airflow is severely restricted so make sure the filter is clean, the air inlets and outlets at the side and back are not blocked, and that all other restrictions are removed before re-starting.

If the cut-out continues to operate after checking the above points, you should contact your service agent.

Check that the machine has the correct weight load in the drum before starting the appliance.

If your machine does not work check the following before calling a service engineer:-

- Check that there is a supply of electricity.
- Check that the door has been properly closed and the machine is switched on.
- Check that the bottle full warning light is off. If it is on then the bottle may be full or incorrectly fitted.

If your machine does not work check the following before calling a service engineer:-

- Check that the Activate button has been pressed and that the Display is illuminated.
- Check that the door has been properly closed.
- Check that the water bottle has been withdrawn from, and replaced into the machine. The bottle full warning light should be off.
- Check the fuse in the moulded plug.

A call out charge will be applied for a service visit, if the call could have been avoided by following these instructions.

ESSENTIAL CONTACT INFORMATION FOR “IN GUARANTEE” AND “OUT OF GUARANTEE” REPAIRS.

If problems continue after checking the above points you should **contact our service agent**. Please ensure that you have your serial number and model number to hand when you make the call. To locate the serial number on your dryer, open the door and look for a white label inside the door opening. This will indicate the appliance model number along with the serial number.

APPROVED SERVICE AGENTS:

White Knight (Whirlpool) 0800 988 1323 (calls are free from landlines however calls from mobiles may be charged at your network provider’s rates)

OR

White Knight (0800 Repair): 0344 8797422 (Calls charged at basic rate).

Northern Ireland Only: (Service Network 2000) 028 90365222 (Daytime calls cost up to 14p plus 8p per minute from BT lines Monday-Friday. Mobile and other providers’ charges may vary).

OPTIONAL EXTRAS

Stacking Kit. This enables the dryer to be stacked on top of another similar flat topped appliance. Only stack kit 0312-004-01000 should be used. Any other stack kit may affect performance.

The above item can be purchased as an accessory for your tumble dryer from your supplier.

TECHNICAL DATA

OVERALL DIMENSIONS:

Height: 85 cm Width: 59.5 cm Depth: 58 cm

MAXIMUM DRY WEIGHT LOADS:

Cotton 7kg (For minimum creasing 2kg)

Delicates 7kg

For electrical ratings see plate on back of dryer.

For Model No. see serial plate inside door (needed when requesting service).

Room temperature range 5°C to 30°C.

Your washing machine should have a spin speed of not less than 1000rpm for maximum efficiency.

Performance measurement to EN61121 is assessed against programs P2 and P6.

THIS APPLIANCE MUST BE EARTHED



This label, positioned on the rear of your dryer, indicates the surface is hot when in operation – avoid touching

**CAUTION
HOT SURFACE**

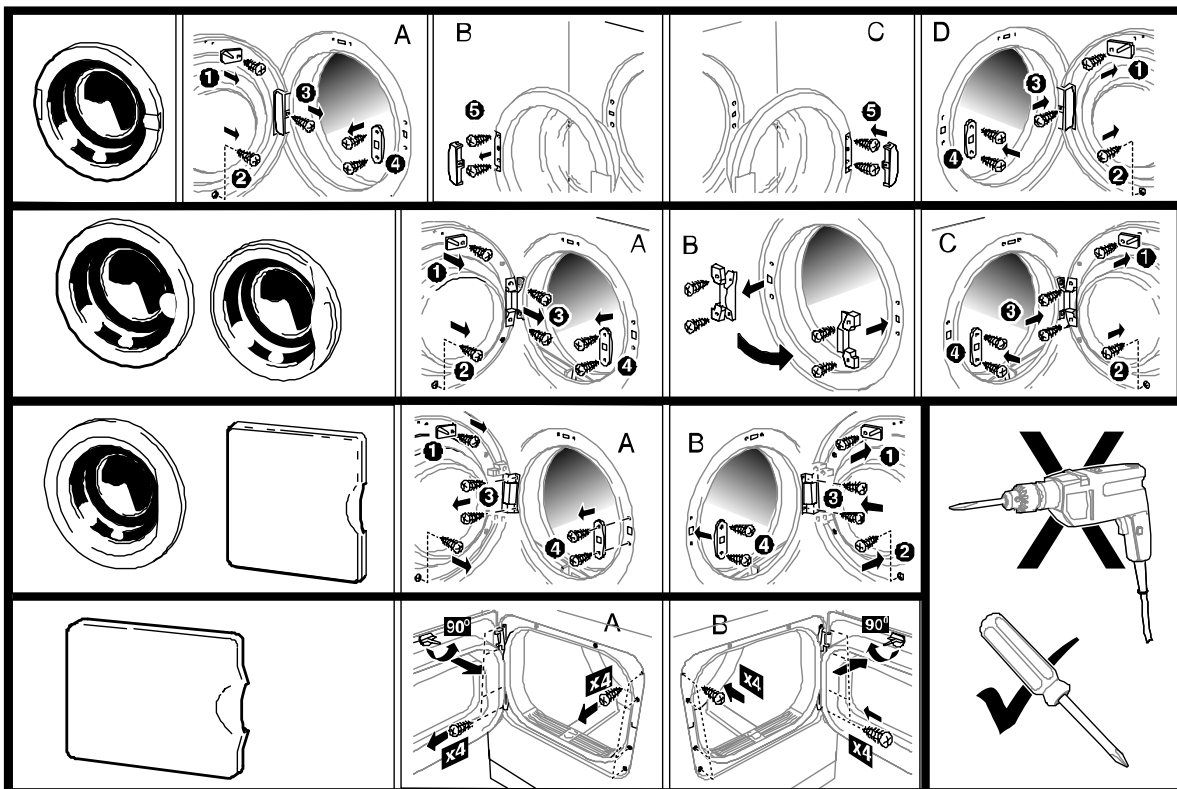


This appliance is marked according to the European Directive 2012 /19/EU on Waste Electrical and Electronic Equipment (WEEE).

At end of life this product should be recycled and not disposed in household waste. Contact your retailer, council or local authority for further information.

REVERSING THE DOOR OPENING

SELECT DOOR TYPE



	COND SDO MF
Suppliers name or trade mark	WHITE KNIGHT
Model identifier	96A, 96C - TYPE
Rated capacity at full load	7kg
Appliance type	Condenser
Energy efficiency class	C
Energy consumption of the appliance*	561kWh
The figures above is based on 160 drying cycles of the standard cotton programme at full and partial load and the consumption of the low-power modes. Actual energy consumption per cycle will depend on how the appliance is used.	
Automatic/non-automatic	Automatic
EU Ecolabel	N/A
E_{dry}	4.77kWh
$E_{dry\frac{1}{2}}$	2.56kWh
$E_{g_{dry}}$	N/A
$E_{g_{dry\frac{1}{2}}}$	N/A
$E_{g_{dry,a}}$	N/A
$E_{g_{dry\frac{1}{2},a}}$	N/A
Off mode power (P_o)	0W
Left on mode power (P_l)	0W
Duration of left-on mode	N/A
The standard cotton programme used at full and partial load is the standard drying programme to which the information in the label and the fiche relates. This programme is suitable for drying normal wet cotton laundry. It is the most efficient programme in terms of energy consumption for cotton.	
T_t	99mins
T_{dry}	130mins
$T_{dry\frac{1}{2}}$	75mins
Condensing efficiency class	D
C_t	60%
C_{dry}	62%
$C_{dry\frac{1}{2}}$	58%
Sound power level	72dBA
Built in/not built in	This appliance is not intended to be built in.

	COND LDO MF
Suppliers name or trade mark	WHITE KNIGHT
Model identifier	96A, 96C - TYPE
Rated capacity at full load	7kg
Appliance type	Condenser
Energy efficiency class	C
Energy consumption of the appliance*	561kWh
The figures above is based on 160 drying cycles of the standard cotton programme at full and partial load and the consumption of the low-power modes. Actual energy consumption per cycle will depend on how the appliance is used.	
Automatic/non-automatic	Automatic
EU Ecolabel	N/A
E_{dry}	4.67kWh
$E_{dry\frac{1}{2}}$	2.64kWh
$E_{g_{dry}}$	N/A
$E_{g_{dry\frac{1}{2}}}$	N/A
$E_{g_{dry,a}}$	N/A
$E_{g_{dry\frac{1}{2},a}}$	N/A
Off mode power (P_o)	0W
Left on mode power (P_l)	0W
Duration of left-on mode	N/A
The standard cotton programme used at full and partial load is the standard drying programme to which the information in the label and the fiche relates. This programme is suitable for drying normal wet cotton laundry. It is the most efficient programme in terms of energy consumption for cotton.	
T_t	98mins
T_{dry}	126mins
$T_{dry\frac{1}{2}}$	77mins
Condensing efficiency class	D
C_t	70%
C_{dry}	71%
$C_{dry\frac{1}{2}}$	70%
Sound power level	72dBA
Built in/not built in	This appliance is not intended to be built in.