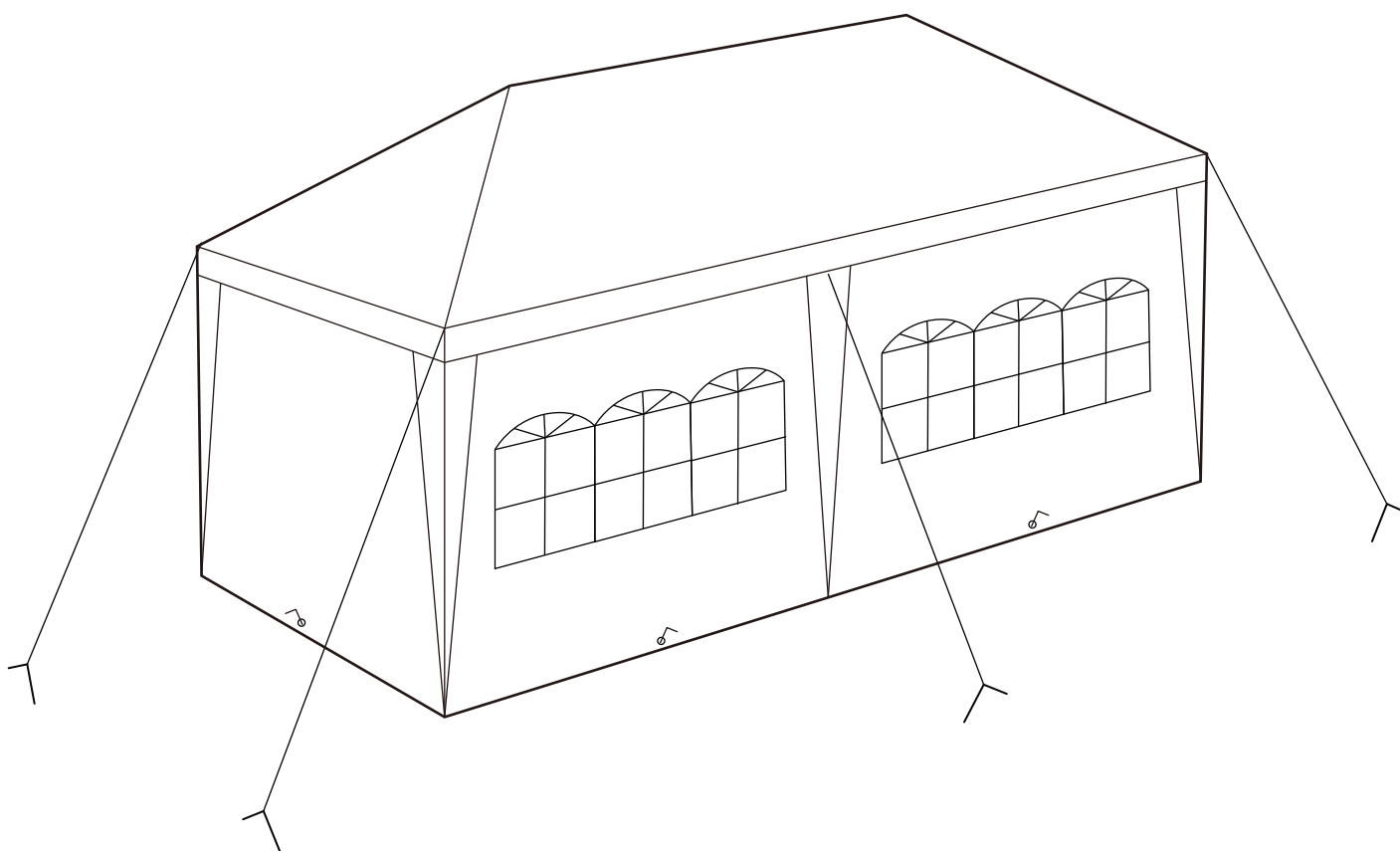


# 6x3M Gazebo With Side Panels

Simple Assembly Instructions - Please keep for future reference

790/4312



## Dimensions

Width - 300cm  
Depth - 600cm  
Height - 250cm

**Important – Please read these instructions fully before starting assembly**

If you need help or have damaged or missing parts, call the

**Customer Helpline: Argos = 0345 6400800**

For further assistance please visit <http://www.argos-support.co.uk>

Address: 489-499 Avebury Boulevard Saxon Gate West, Central Milton Keynes Bucks, MK9, 2NW



# IMPORTANT SAFETY INSTRUCTIONS

**Read all instruction before using and keep for future reference**

- Read these instructions carefully and familiarise yourself with the procedure before assembling the unit.
- Check that you have all the component parts following the list on the page 3 and familiarise yourself with each part before proceeding.
- Take all the fittings out of the plastic bag and separate them into their groups.
- Ensure you have enough space to lay out all the parts before assembly.
- To avoid scratching it is recommended that you assemble the unit on a soft level surface.
- Please keep children away when assembly. Please keep children under direct supervision of adult when using.
- **Please do not use the gazebo under windy condition.**
- Always use guy rope and pegs to secure the gazebo when using.
- This Gazebo is not a permanent structure and should be disassembled and stored away after using.
- Do not repack your Gazebo until completely dry.
- We recommend assembly by four persons under light or no wind conditions.
- This Gazebo must not be left erect in windy conditions.
- Keep the Gazebo Fabric away from screws, nails, staples, hooks, etc to avoid damage to the fabric and frame.
- **Warning:** The unit weights approximately 17.5 kgs.
- **Please lift with care.**

## CAUTION

### Fire precautions

- Do not place the Gazebo near lights, fireplaces, gas or electric heaters, candles, radiators, or any other sources of heat, fire or flammable liquids.
- This Gazebo features a Fabric cover that is not flame retardant.
- We recommend caution and common sense when in use.
- This Gazebo can burning.
- Do not use naked flames in or around the Gazebo. We recommend you advise no smoking while inside.
- This Gazebo has no flame retardant cooking area and should not be use to house BBQs or other cooking methods.

### Safety

- To avoid any risks of suffocation to animals or children dispose of the plastic bags immediately.

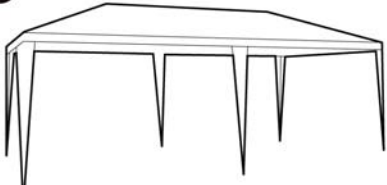
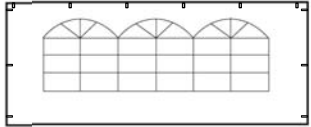
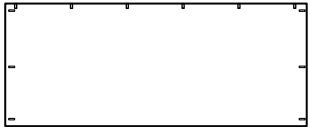
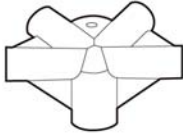
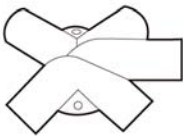







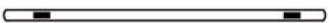

### Cleaning

- As with all surfaces clean with a damp cloth and mild detergent, do not use bleach or abrasive products.

# Components - Parts & Fittings

If you have damaged or missing components, call the **Customer Helpline: Argos = 0345 6400800**

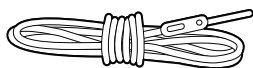
Please check you have all the parts listed below

|   |  |  |
|---|--|--|
| <p><b>A</b></p>  <p>1 x Gazebo Cover</p>                   | <p><b>B</b></p>  <p>4 x Panel w/window</p>            | <p><b>C</b></p>  <p>2 x Panel w/o window</p>              |
| <p><b>D</b></p>  <p>2 x Centre Connector</p>               | <p><b>E</b></p>  <p>2 x Middle Joint</p>              | <p><b>F</b></p>  <p>4 x Corner Joint</p>                  |
| <p><b>1</b></p>  <p>10 x Top Pole (φ18 x 1060 mm)</p>      | <p><b>1A</b></p>  <p>8 x Top Pole (φ18 x 1070 mm)</p> | <p><b>2</b></p>  <p>12 x Support Pole (φ24 x 1060 mm)</p> |
| <p><b>2A</b></p>  <p>6 x Support Pole (φ24 x 830 mm)</p> | <p><b>3</b></p>  <p>6 x Leg Pole (φ32 x 980 mm)</p> | <p><b>4</b></p>  <p>6 x Leg Pole (φ32 x 1030 mm)</p>    |
| <p><b>5</b></p>  <p>1 x Top Pole (φ18 x 830 mm)</p>      | <p><b>G</b></p>  <p>6 x Baseplate</p>               |  |

# Components - Fittings

Please check you have all the fittings listed below

*Note:* The quantities below are the correct amount to complete the assembly. In some cases more fittings may be supplied than are required.



**H** Peg x 18 (φ4.5 x 200 mm)

**I** Guy rope x 6

**J** Peg x 6 (φ3.8 x 170 mm)

# Assembly Instructions

## Stage 1 – Fitting the Support Poles

### Step 1

Insert Support Poles **2A** into the Support Poles **2**  
Ensure all the poles are fully inserted and secure.  
See fig.1.

**IMPORTANT:** Because of the size of this unit we recommend that it is built in the place intended for using

**NOTE:** Locate the unit on the flat Ground free from obstruction, in a sheltered area away from wind and heavy rain as this will damage the unit.

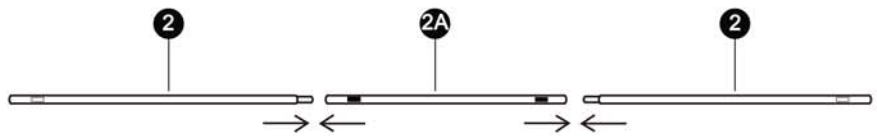


Fig.1

### Step 2

Use corner joints **F** together with Middle joint **D** to connect the Support Poles. Ensure all the poles are fully assembled. See fig.2

**NOTE:** It would be useful to ask someone to help you at this step.

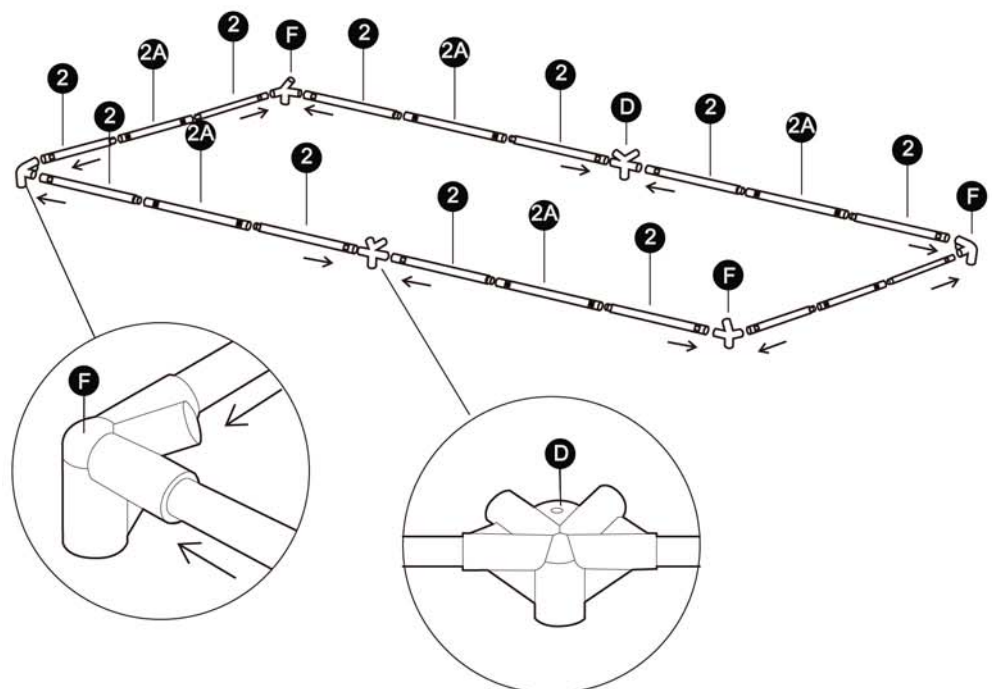


Fig.2

# Assembly Instructions

## Stage 2 – Fitting the Top Poles

### Step 3

Insert Top Poles **1A** into the Top Poles **1**  
Ensure all the poles are fully inserted and secure.  
See fig.3.

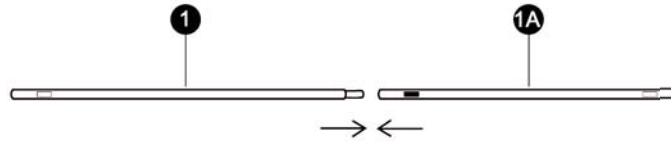


Fig.3

### Step 4

Insert Top Pole **5** into the Top Poles **1** Ensure the 3 poles are fully connected and secure.  
See fig.4.

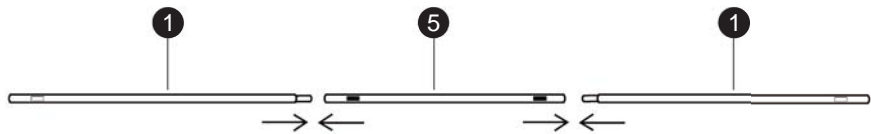


Fig.4

### Step 5

Connect the Centre Connector **E** to Corner joint **F** and Middle Joint **D** by Top Poles of fig 3.  
See fig 5.

Link the two Centre Connector **E** together by connected poles by fig 4  
See fig 5.

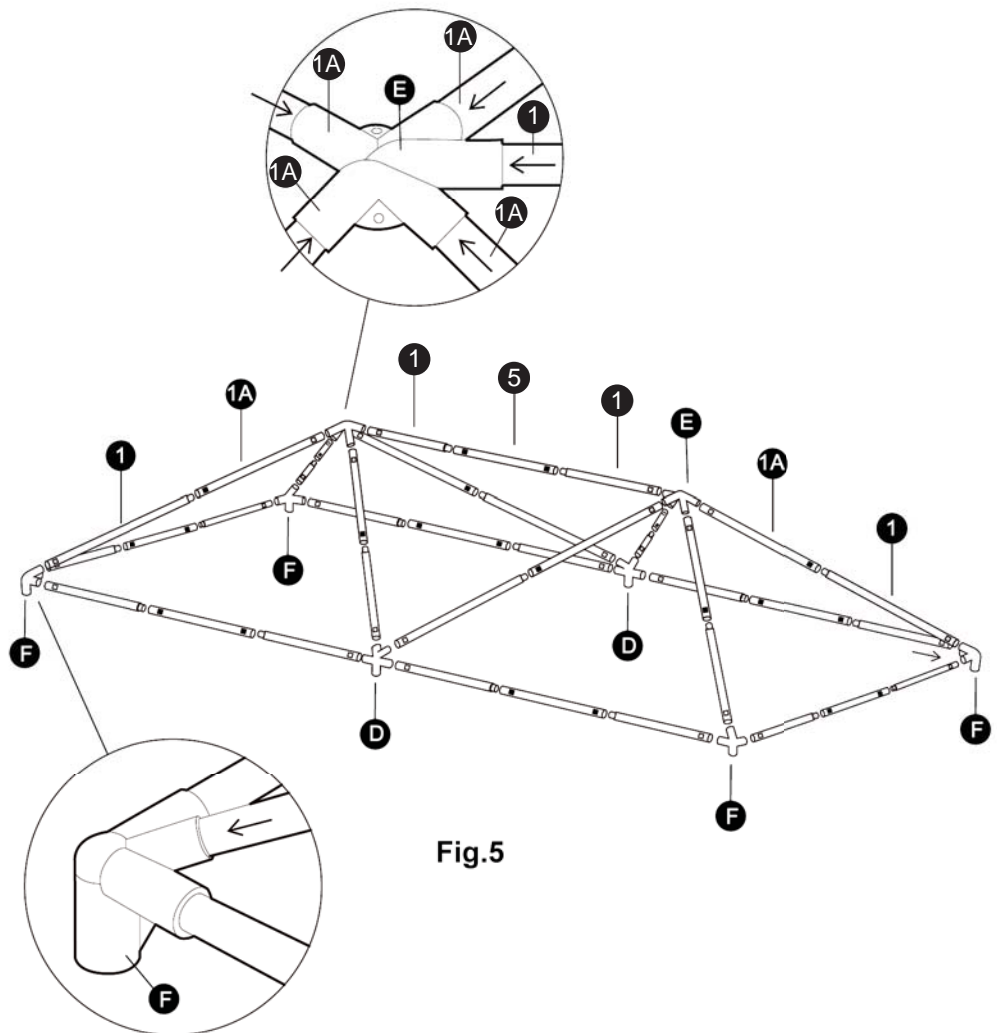


Fig.5

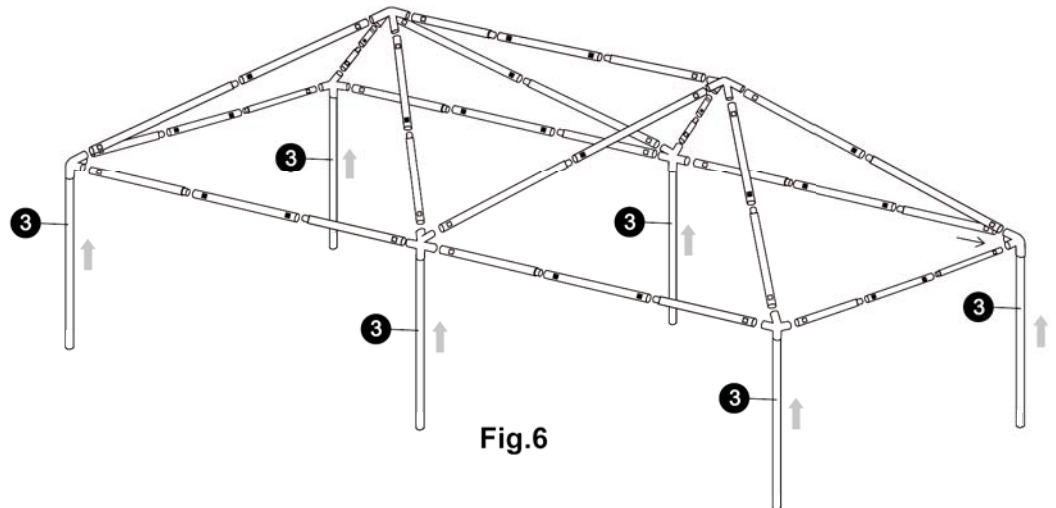
NOTE: It would be useful to ask someone to help you at this step.

# Assembly Instructions

## Stage 3 – Fitting the Gazebo

### Step 6

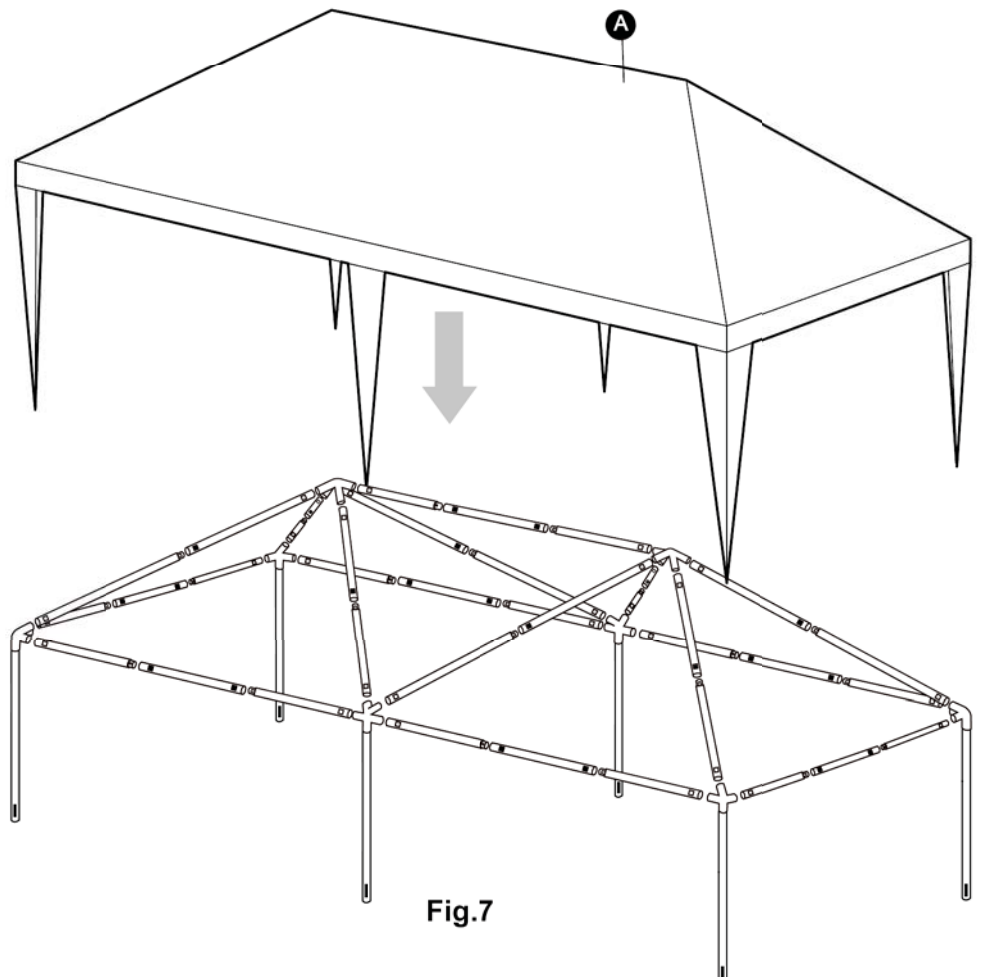
Insert Leg Poles ③ into the unit. Ensure all the poles are fully inserted and secure. See fig 6.



**NOTE:** It would be useful to ask someone to help you at this step.

### Step 7

Carefully place the Gazebo Cover **A** over the assembly roof. Then pull the Gazebo tightly over the assembled roof frame. See fig 7.



**NOTE:** It would be useful to ask someone to help you at this step.

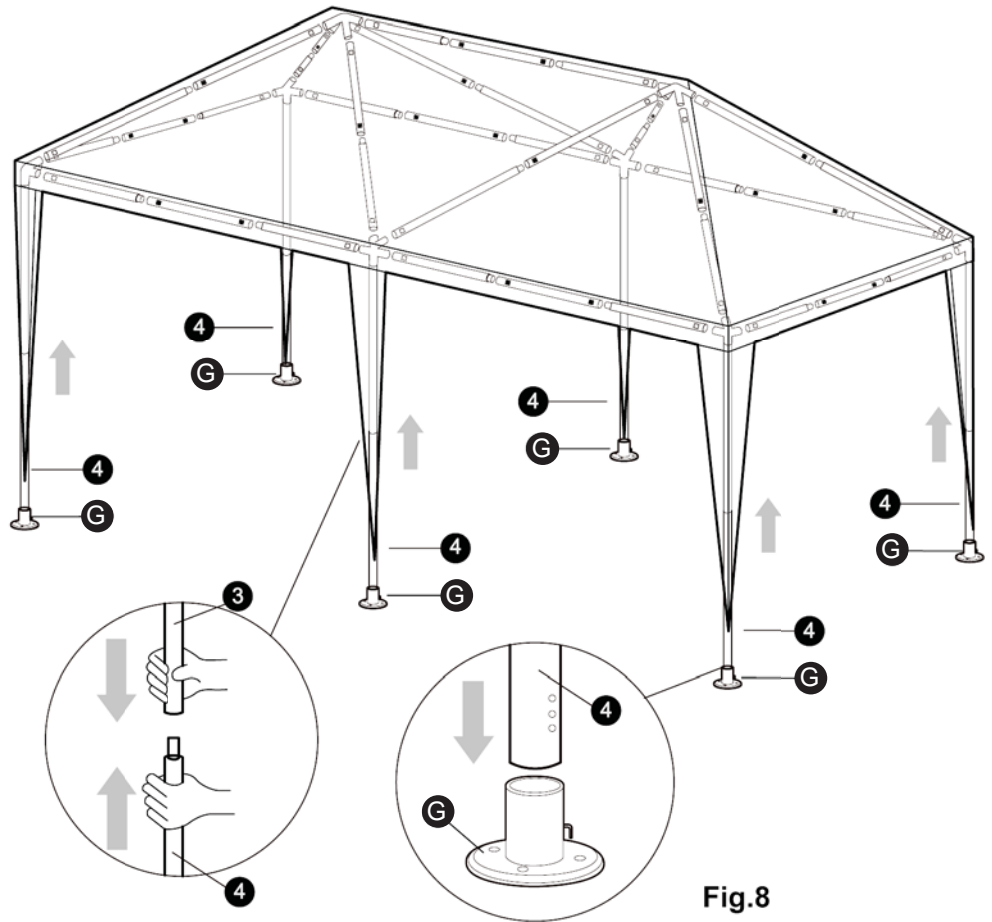
# Assembly Instructions

## Stage 4 – Fitting the Legs

### Step 8

Insert the Base Plates **G** into the Leg Poles **4**. Then insert the Leg Poles **4** into the unit. Ensure all the poles are fully inserted and secure. See fig 8.

**NOTE:** It would be useful to ask someone to help you at this step.



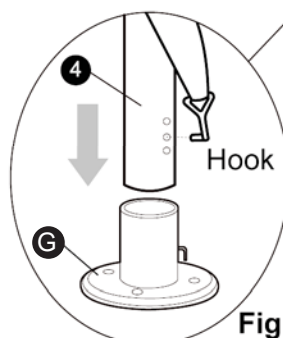
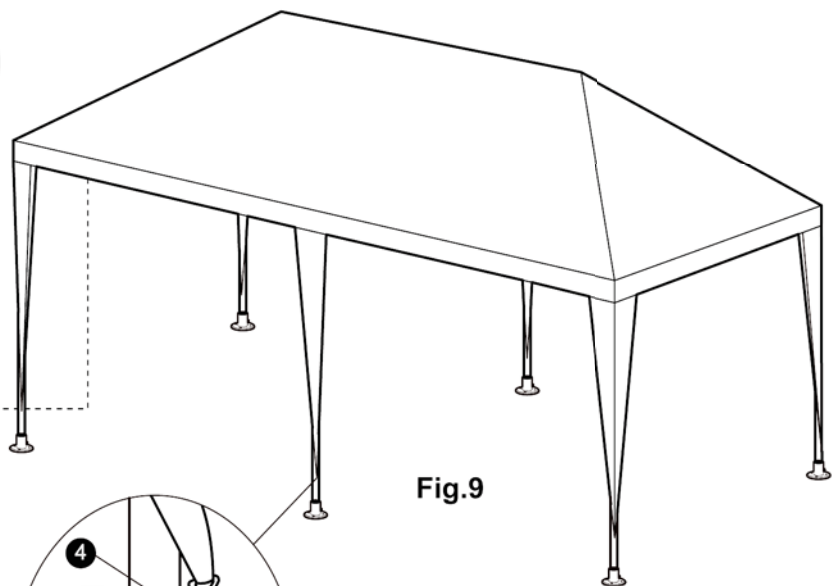
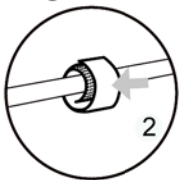
### Step 9

Use the Velcro Tapes inside the Gazebo Cover to fix it onto the assembled Frame. See fig 9&10.

- 1 stretch the velcro tap tight
- 2 stick Velcro tap

Attach the Gazebo Cover's Hooks into holes on the Leg Poles **4**. Tighten by moving the Hook to a lower hole. See fig. 11.

**Warning:** the velcro tap must stretch tight as this could cause rain water to collect on the canopy and cause a hazard.



# Assembly Instructions

## Stage 5 – Fitting the Guy Ropes

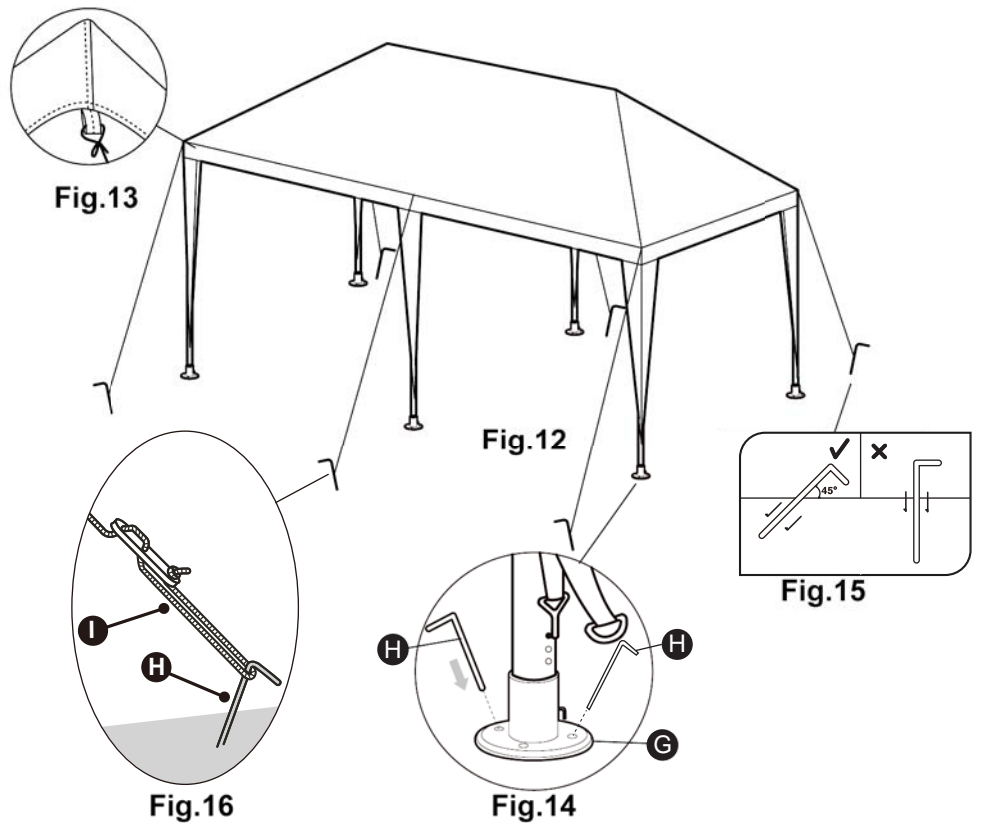
### Step 10

Attached the D Ring onto the Base Plates **G**. Then use 2pcs of Peg **H** to **G** fix the Base Plates into the ground. See fig 12&14.

Attach the end of the Guy Rope **I** to the corner of the top covering on the Gazebo. Then attach one end to the peg **H** and drive the peg into the ground. See fig 12, 13&15

Use the Same method as in fig.12 to fix the other Guy Ropes. The length of Guy Ropes can be adjusted. See fig 16.

**NOTE:** The pegs are for location purposes only. They will not support the unit in high winds, see above instructions.



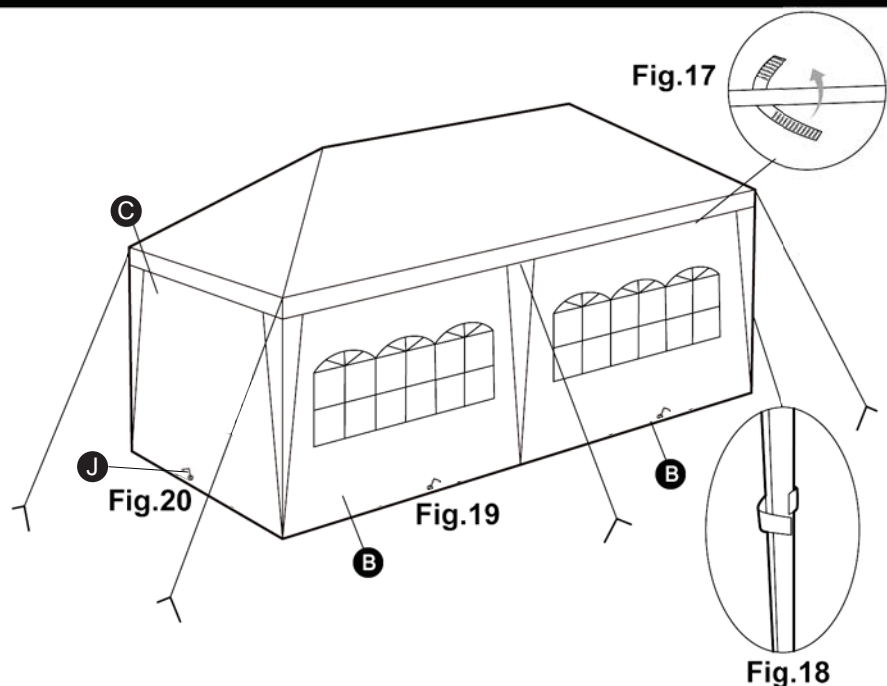
## Stage 6 – Fitting the Unit

### Step 11

**CAUTION:** Do not assembly or disassemble during strong winds.

Hang on all Panels **B** and **C** at the top using the Velcro Tape, Velcro tapes at side of panels can be fastened to the Gazebo leg, Side Panels can be taken off separately. Insert the peg onto the ring and drive the peg into the ground. See fig 17,18, 19&20.

**Assemble is complete.**





# Assembly Instructions

## Stage 7 - Roll up panels

### Step 12

Roll up the panels **B** and fix them by the two long velcro tapes on each panel.

See fig 21.

Panels **C** can be rolled up by the same way.

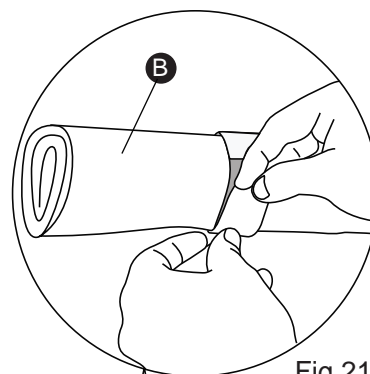
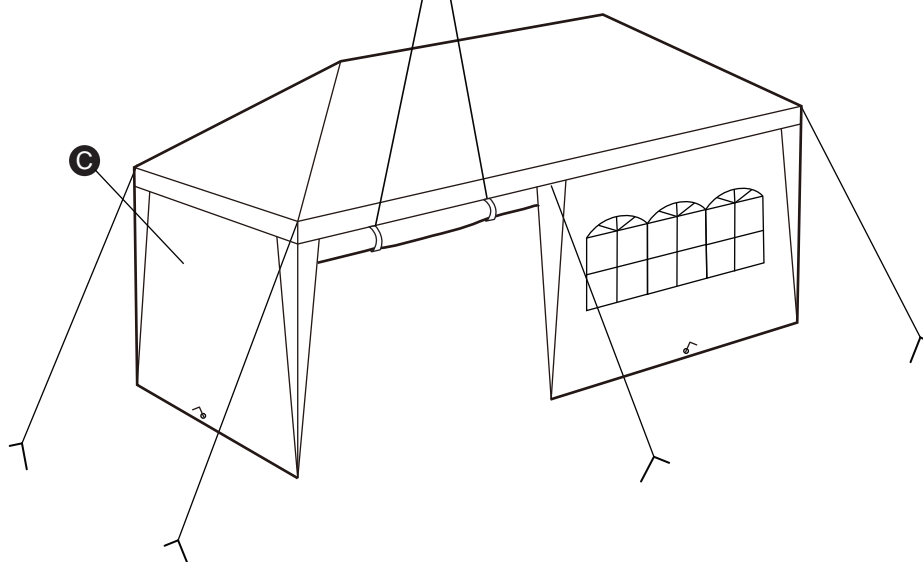


Fig.21



**Important:** Make sure all the guy ropes and pegs are used, otherwise the gazebo will be unstable!

If you need help or have damaged or missing parts, call the

**Customer Helpline: Argos = 0345 6400800**

For further assistance please visit <http://www.argos-support.co.uk>

Address: 489-499 Avebury Boulevard Saxon Gate West, Central Milton Keynes Bucks, MK9, 2NW