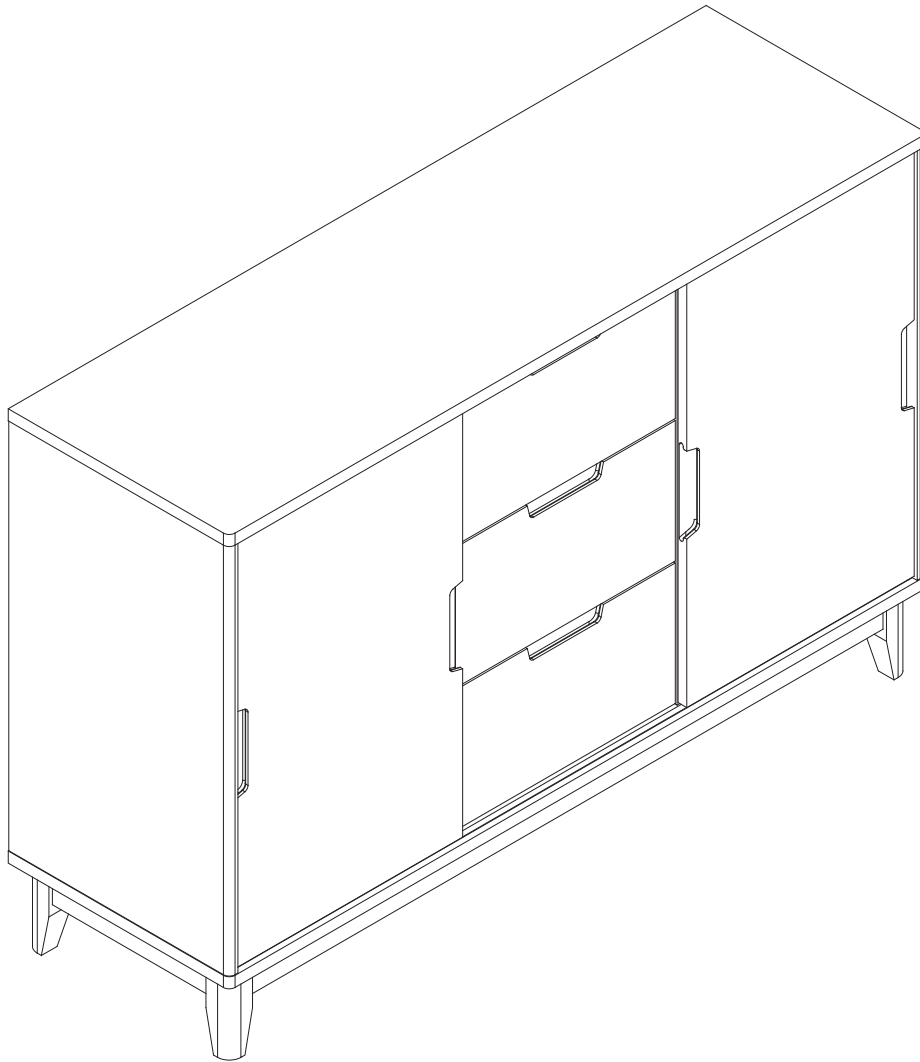


SKYE WOOD / WHITE 2DR 3DRW SIDEBOARD

Assembly Instructions - Please keep for future reference

471/9627(D)



Dimensions

Width - 120cm
Depth - 38 cm
Height - 80 cm

Important - Please read these instructions fully before starting assembly

If you need help or have damaged or missing parts, call the

Customer Helpline: 0345 6400 800



Safety and Care Advice

Important – Please read these instructions fully before starting assembly

Check you have all the components and tools listed on pages 2 and 3.

Remove all fittings from the plastic bags and separate them into their groups.

Keep children and animals away from the work area, small parts could choke if swallowed. Make sure you have enough space to layout the parts before starting.

Assemble the item as close to its final position (in the same room) as possible.

Assemble on a soft level surface to avoid damaging the unit or your floor.

Assembly requires 2 people.

Keep this instructions for future use.

Do not stand or put excessive weight on the product, this could cause damage.



We do not recommend the use of power drill/drivers for inserting screws, as this could damage the unit. Only use hand screwdrivers and Allen keys.

Dispose of all packaging carefully and responsibly.

Care and maintenance

Only clean using a damp cloth and mild detergent, do not use bleach or abrasive cleaners.

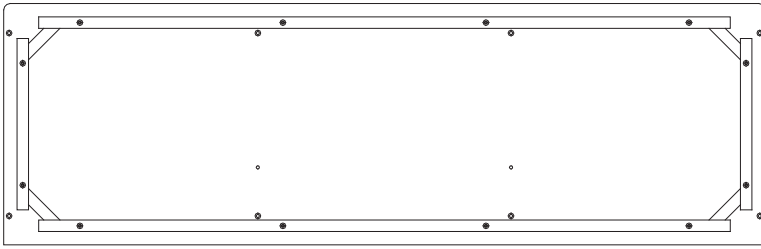
From time to time check that there are no loose screws on this unit.

This product should not be discarded with household waste. Take to your local authority waste disposal centre.

Components - Parts

If you have damaged or missing components.
call the **Customer Helpline**: 0345 6400 800

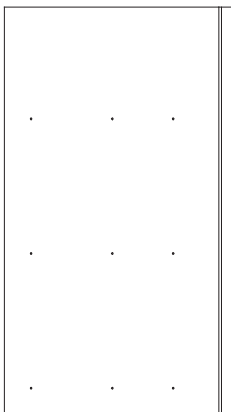
Please check you have all the parts listed below



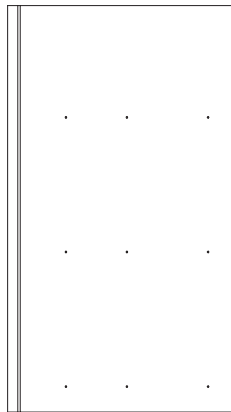
1 Base panel x 1
(120x38x6.3cm)

2 Foot x 4
(12.3x4x4cm)

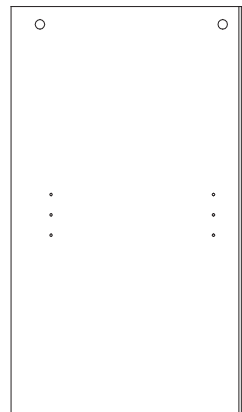
3 Support Bar x 2
(11.3x2.5x2.5cm)



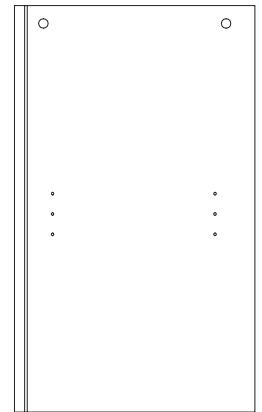
4 Left Divider x 1
(64x35.7x1.5cm)



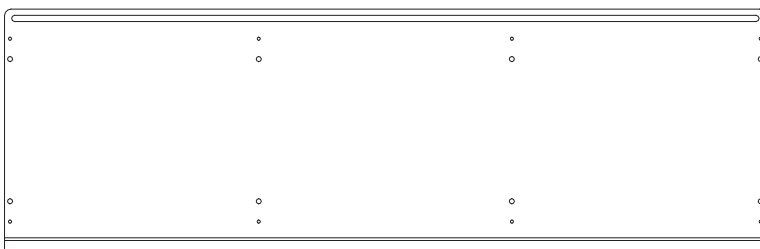
5 Right Divider x 1
(64x35.7x1.5cm)



6 Right Panel x 1
(64x37.8x1.5cm)



7 Left Panel x 1
(64x37.8x1.5cm)



8 TOP Panel x 1
(120x38x1.8cm)



9 Back panel x 3
(64.7x38.6x0.3cm)

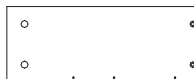
Components - Parts

If you have damaged or missing components.
call the **Customer Helpline**: 0345 6400 800

Please check you have all the parts listed below



10 Drawer side panel (left) x 3
(30x11.8x1.2cm)



11 Drawer side panel (right) x 3
(30x11.8x1.2cm)



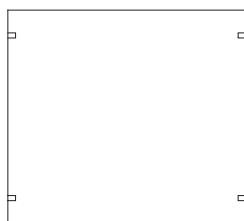
12 Drawer back panel x 3
(33x11.8x1.2cm)



13 Drawer front panel x 3
(37.3x20.9x1.5cm)



14 Drawer bottom panel x 3
(33.6x29.5x0.3cm)



15 Adjustable shelf x 2
(37.5x33.3x1.2cm)



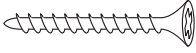
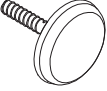
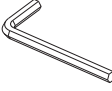
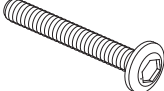


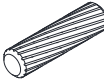
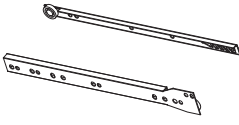
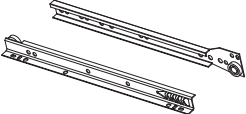

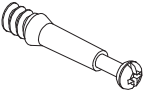
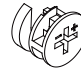
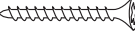

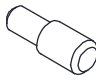
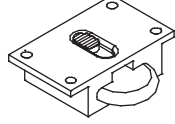
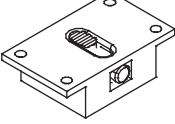



16 Door panel x 2
(63.4x39.2x1.5cm)

Components - Fittings

If you have damaged or missing components, call the **Customer Helpline: 0345 6400 800**

Please check you have all the fittings listed below

Note: The quantities below are the correct amount to complete the assembly. In some cases more fittings may be supplied than are required.

<p>A</p>  <p>Wood screw x 10</p>	<p>B</p>  <p>Leveler x 2</p>	<p>C</p>  <p>Allen key x 1</p>
<p>D</p>  <p>Hexagon screw x 4</p>	<p>E</p>  <p>Washer x 4</p>	<p>F</p>  <p>Protector x 4</p>
<p>G</p>  <p>Dowel x 16</p>	<p>H</p>  <p>Slide (Left) x 3</p>	<p>I</p>  <p>Slide (Right) x 3</p>
<p>J</p>  <p>Wood Screw x 36</p>	<p>K</p>  <p>Cam-bolt x 20</p>	<p>L</p>  <p>Cam-lock x 8</p>
<p>M</p>  <p>Wood Screw x 12</p>	<p>N</p>  <p>Cam-Lock (small) x 12</p>	<p>O</p>  <p>Shelf Pin x 8</p>
<p>P</p>  <p>Sliding door roller x 4</p>	<p>Q</p>  <p>Sliding door roller x 4</p>	<p>R</p>  <p>Wood Screw x 32</p>
<p>S</p>  <p>Wall Strap x 2</p>	<p>T</p>  <p>Screw x 2</p>	

Tools required

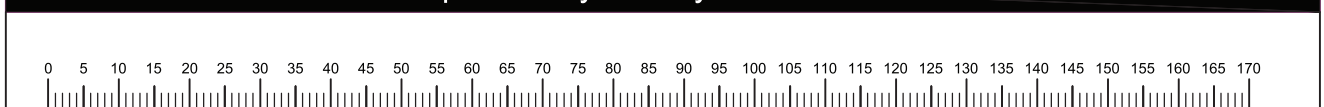


Ruler/tape measure
(Not supplied)



Phillips screwdriver
(Not supplied)

Ruler - Use this ruler to help correctly identify the screws



Assembly Instructions

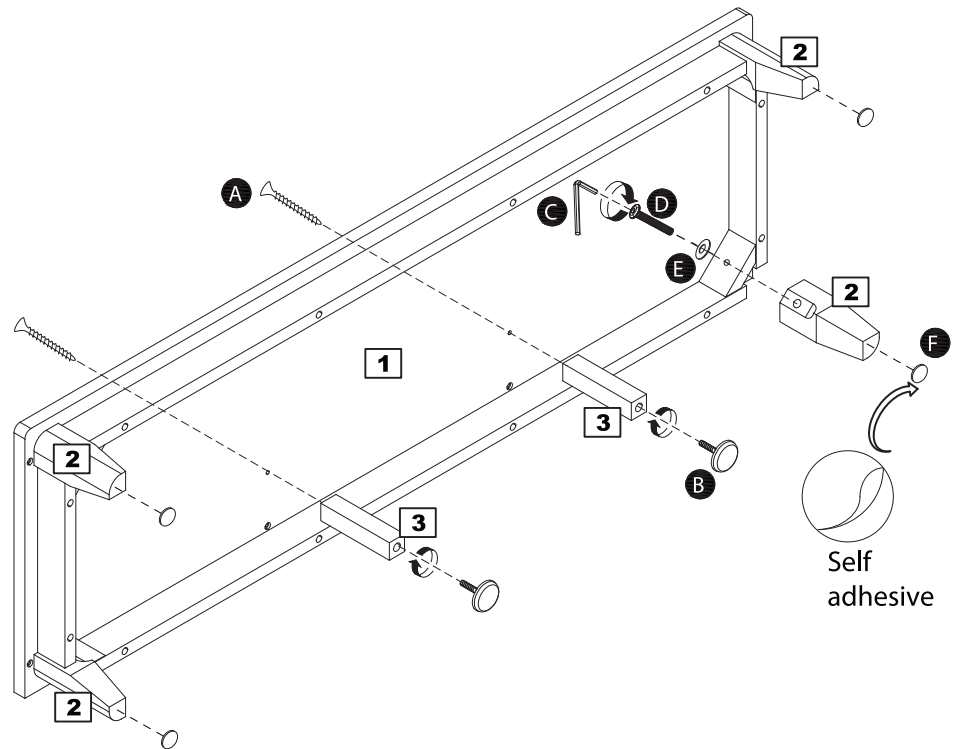
Step 1

Assembling feet

Fix feet **2** on base panel **1** with hexagon screws **D** + washers **E**

Stick protector **F** on end of feet, fix support bar **3** on bottom of base panel **1**

Screw leveler **B** into end of support bar **3**.

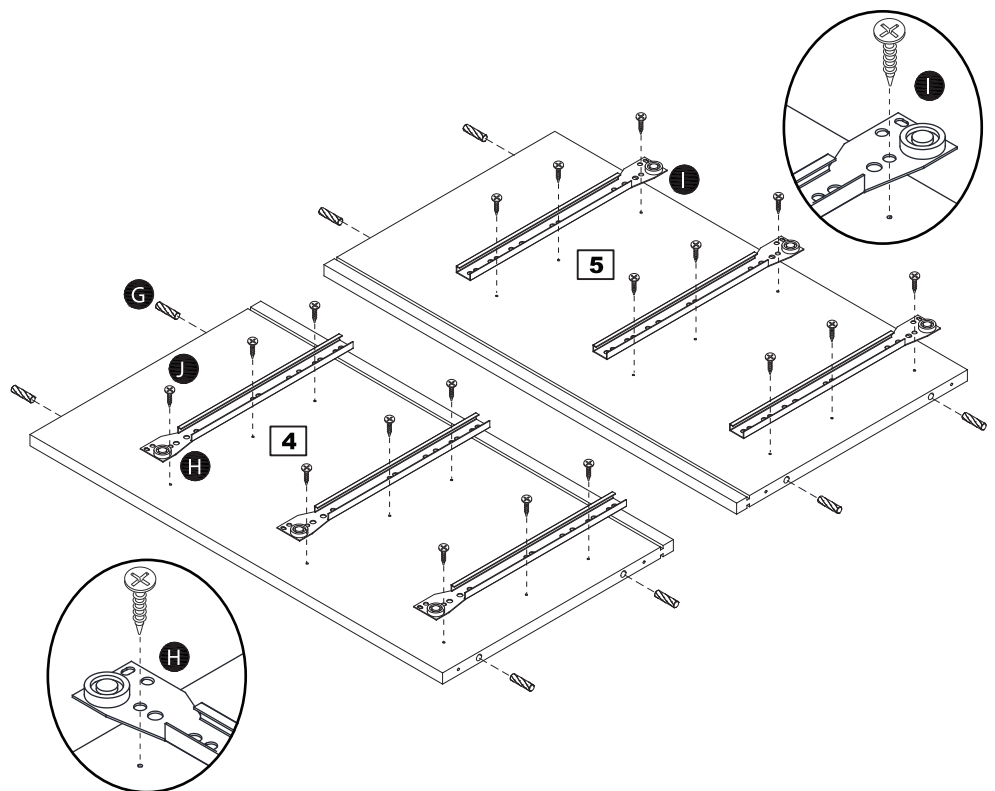


Step 2

Preparing divider

Insert dowels **G** into end of dividers **4**, **5**;

Fix slide **H**, **I** on divider **4**, **5** with screws **J** as shown.



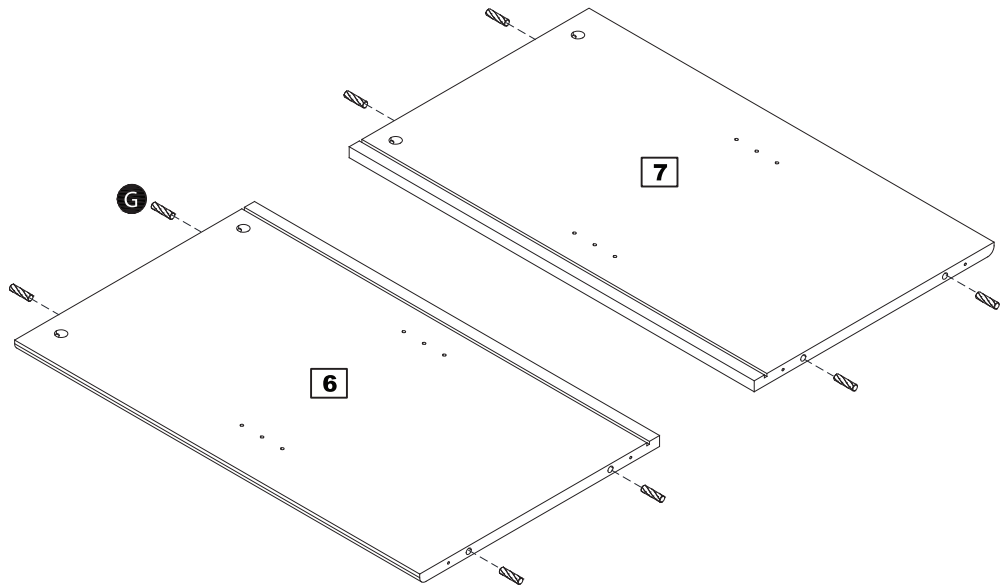
Assembly Instructions

Step 3

Preparing side panel

Insert dowels **G**
into end of side panel

6, **7**

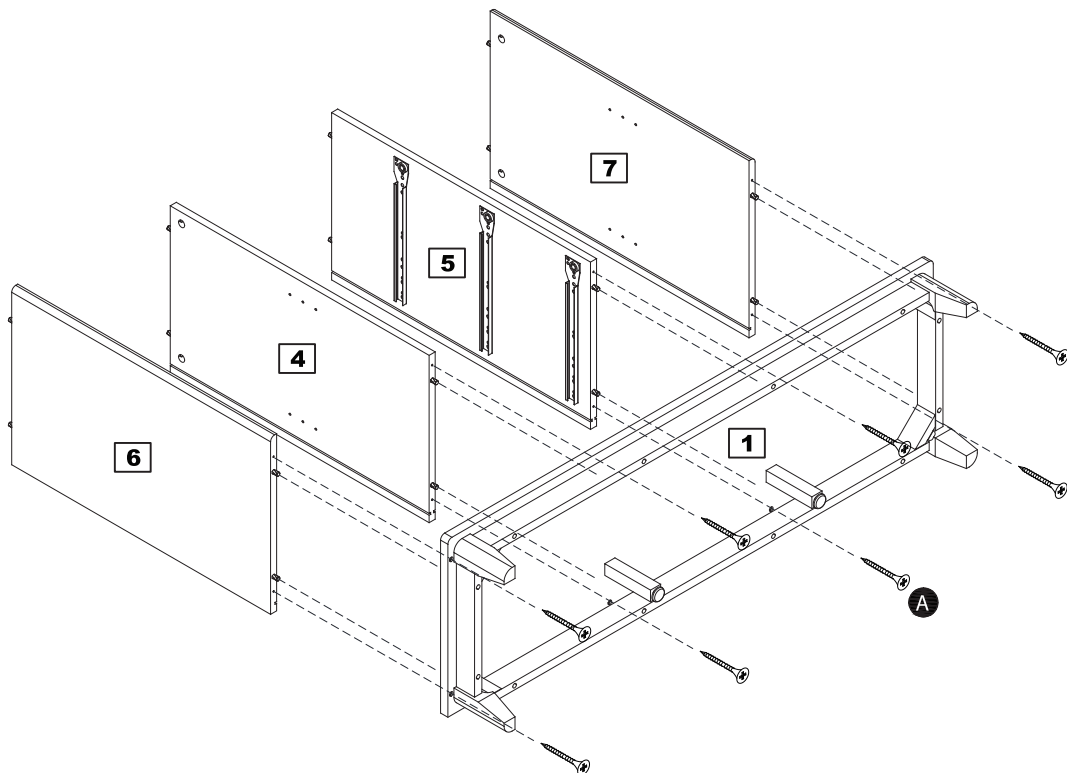


Step 4

Assembling side panels and dividers

Fix side panels **6**, **7**
and divider **4**, **5** on
base panel **1** with
wood screws **A** as
shown.

Note: pay attention to
direction of board.



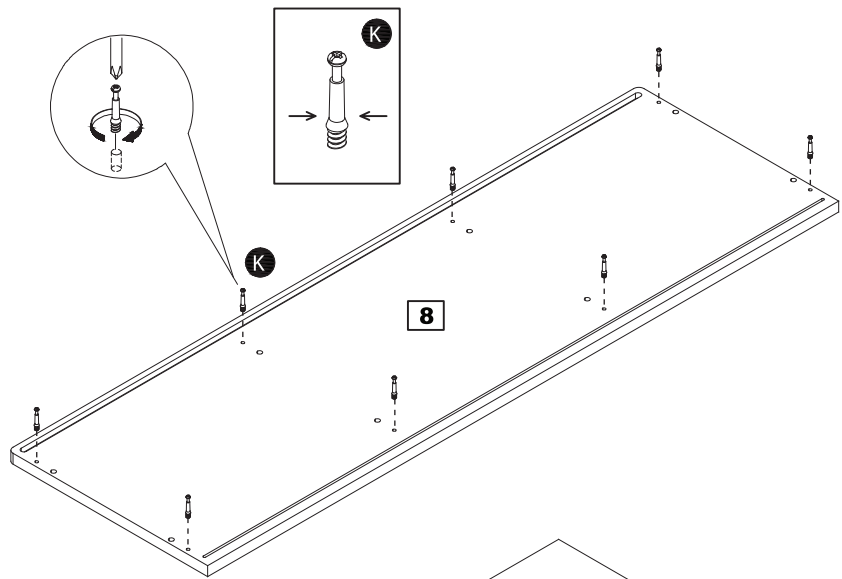
Assembly Instructions

Step 5

Preparing top panel

Place top **8** flat onto the floor with the fixing holes facing up.

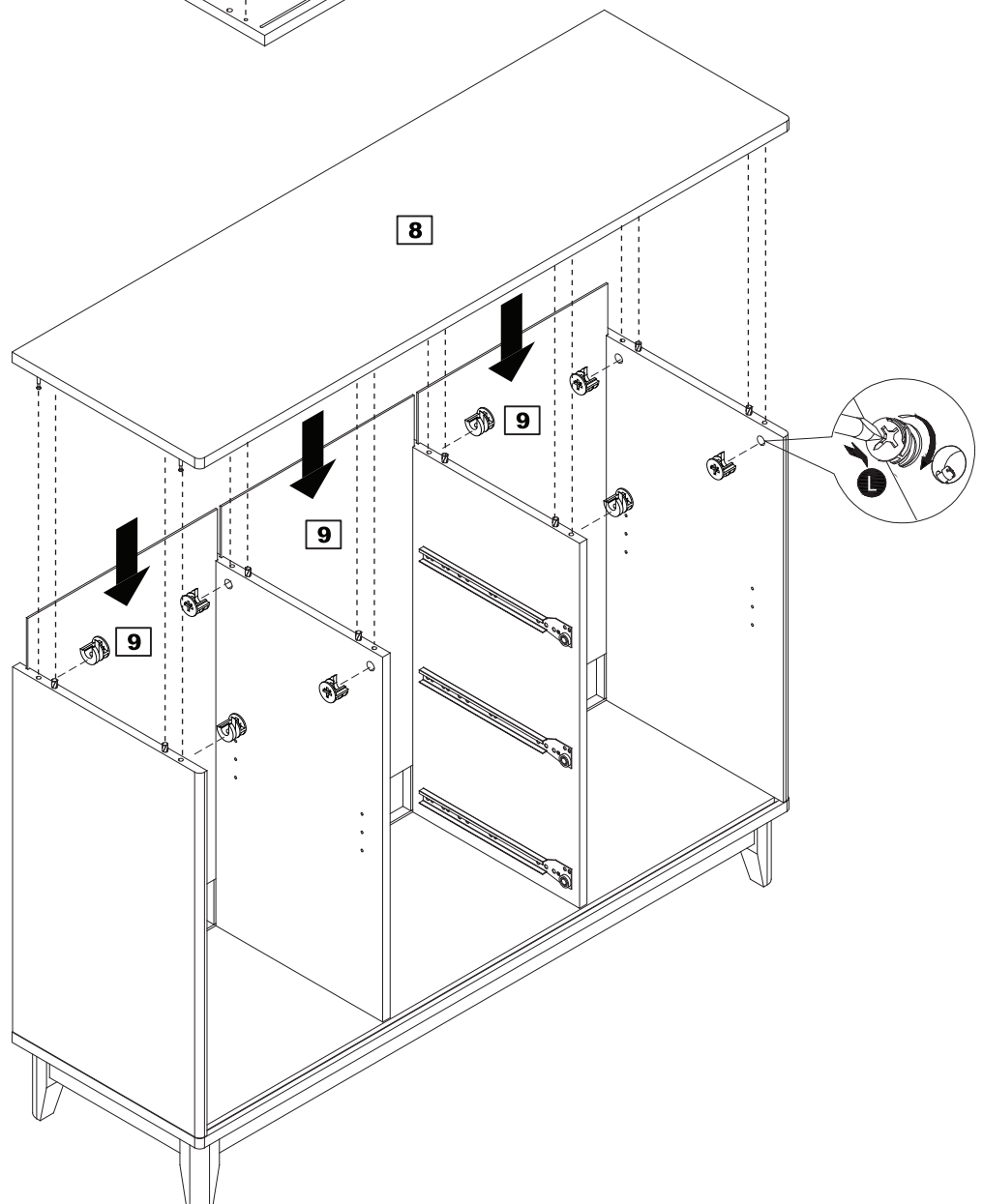
Screw cam-bolt **K** into panel **8** as shown.



Step 6

Assembling back panel and top panel

Slide back panel **9** into groove, fix top panel **8** with cam-lock **L** as shown.

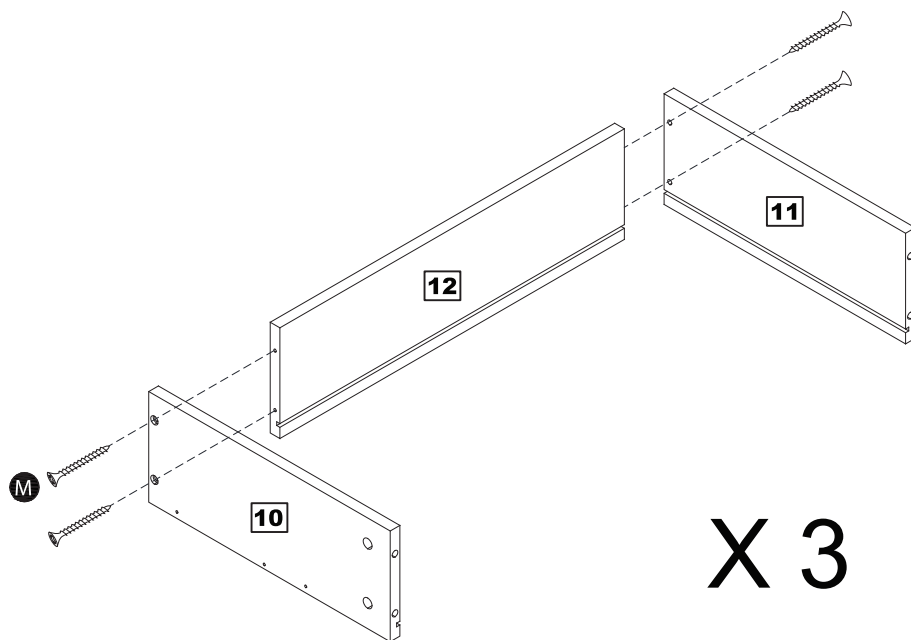


Assembly Instructions

Step 7

Assembling drawer frame

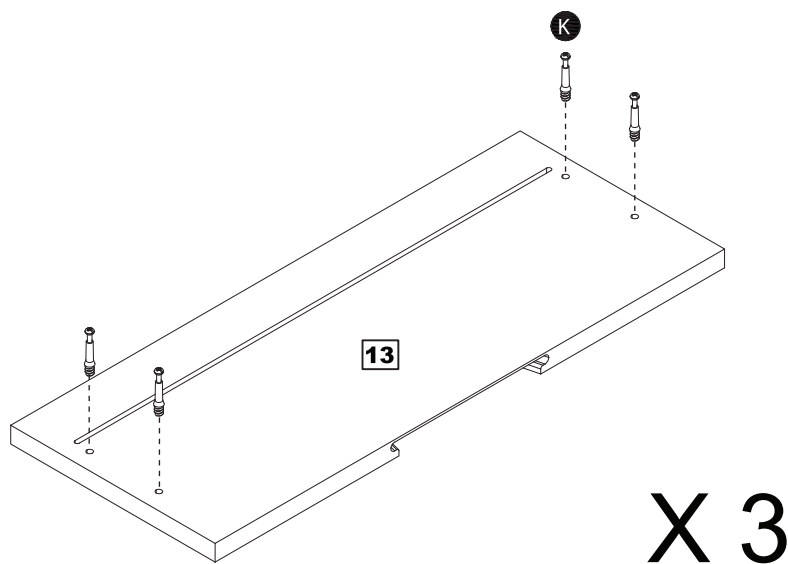
Fix drawer side panel **10**, **11** and back panel **12** together with wood screws **M** as shown.



Step 8

Preparing drawer front panel

Screw cam-bolt **K** into drawer front panel **13** as shown.

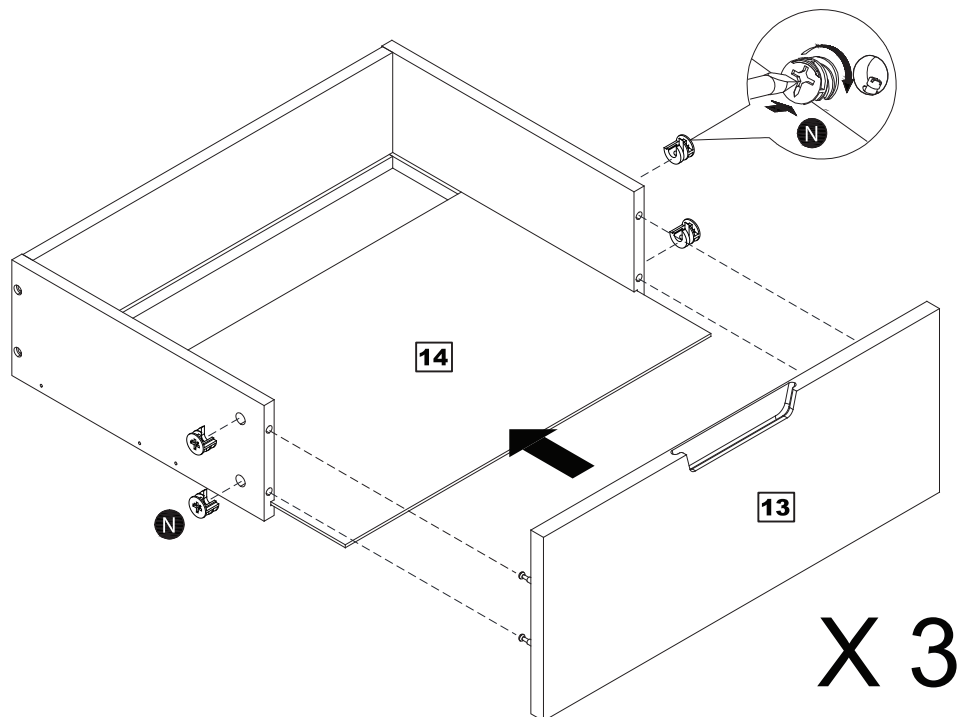


Assembly Instructions

Step 9

Assembling drawer

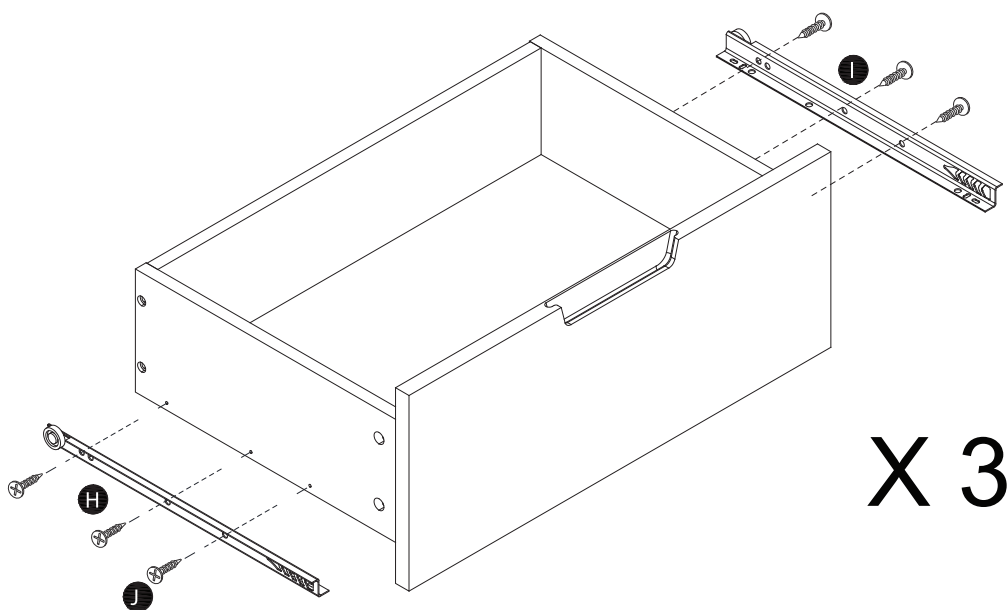
Slide drawer bottom **14** into groove, fix drawer front panel **13** with small cam-lock **N**



Step 10

Assembling Slide

Fix slide **H**, **I** on drawer with screws **J** as shown.

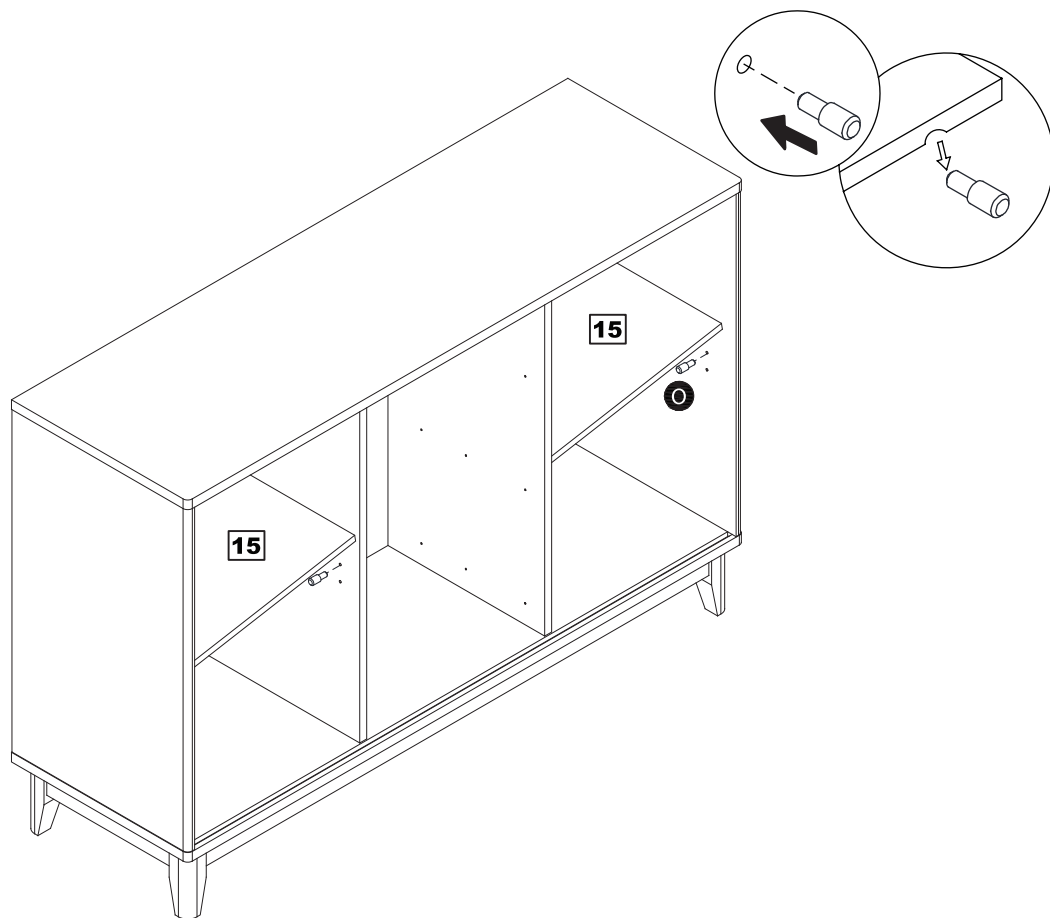


Assembly Instructions

Step 11

Assembling adjustable shelves

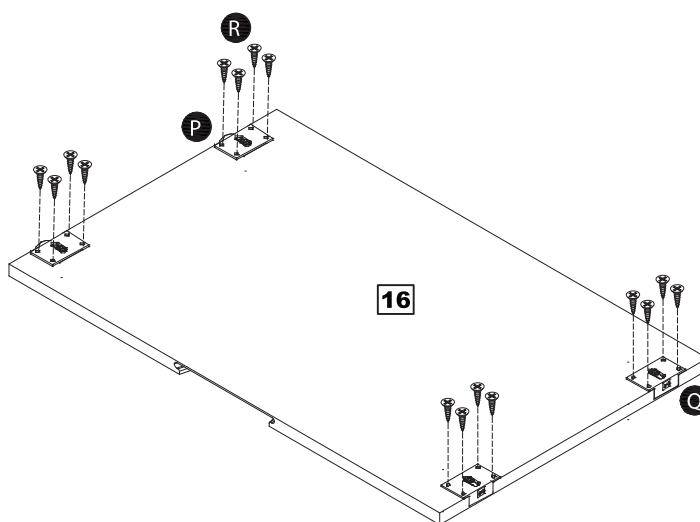
Plug shelf pins **Q** into side panel and divider, put shelves **15** on shelf pin **Q** as shown.



Step 12

Preparing doors

Fix door roller **P** and door pin **Q** on doors **16** with wood screws **R** as shown.

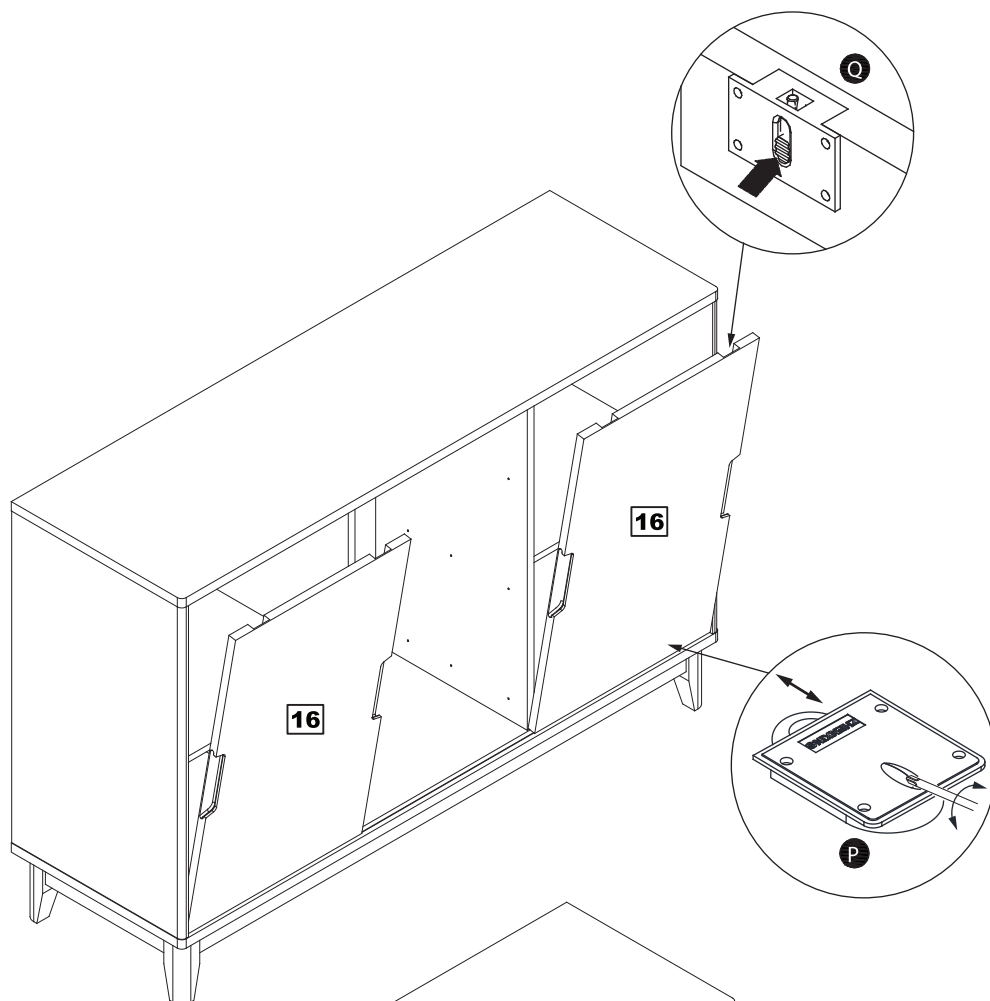


Assembly Instructions

Step 13

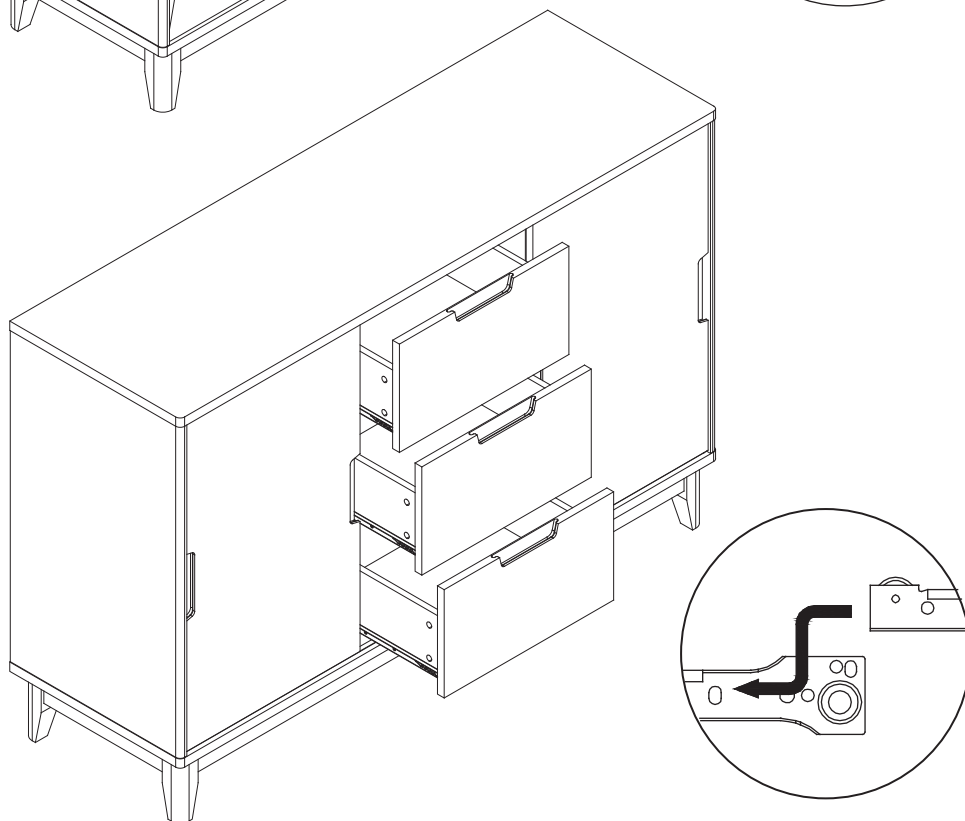
Assembling doors

Put rollers **P** into plastic groove, move doors **16** to make pins aim at top of groove, then push button to stick out pins to lock doors.



Step 14

Slide drawers into cabinet



Assembly Instructions

Step 15

Fixing to wall

It is recommended that the wall sideboard is fixed to the wall to ensure stability.

Assemble wall straps **S** to the back of top panel **8** using screws **T**.

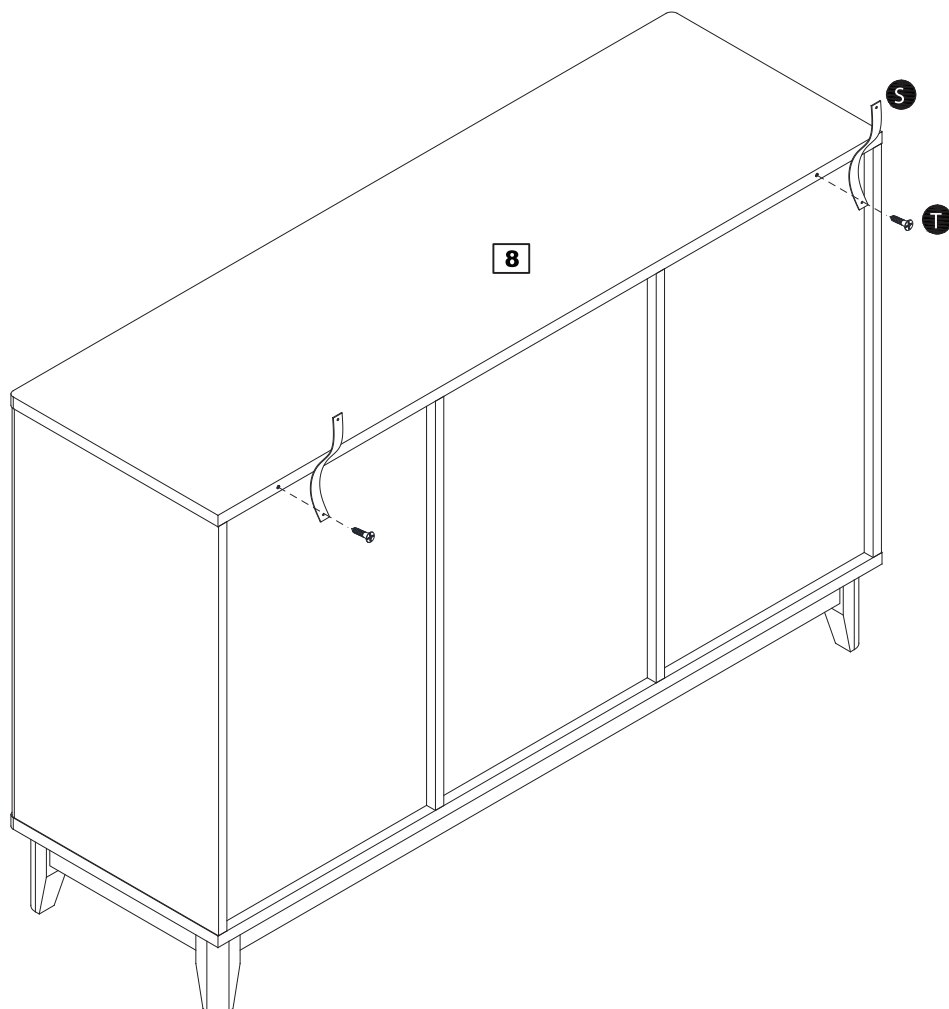
With help, move the unit to the desired location.

Mark the fixing hole locations on the wall and remove the unit.

Drill the wall and fit suitable plugs for your wall type.

Note: Wall plugs are not supplied.

Warning: Before drilling. Check the wall for hidden pipes or cables. Re-position the unit and secure the wall straps to the wall.

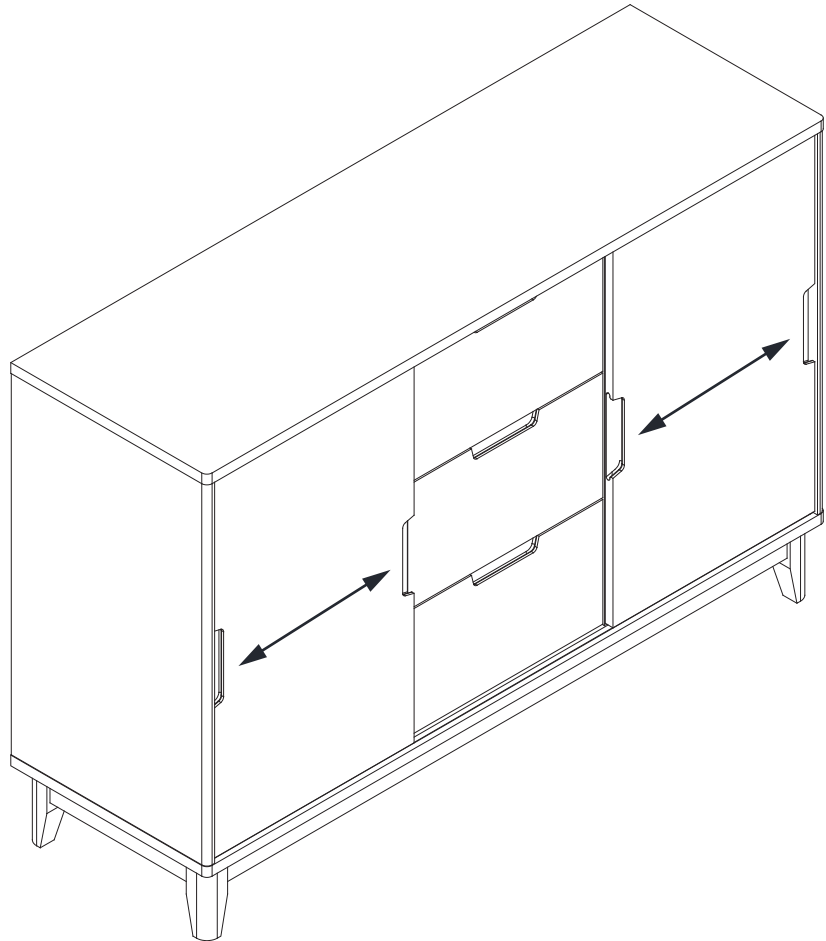


Assembly Instructions

Step 16

Assembling doors

Slide door to make sure it goes smoothly.



Assembly is complete.

If you need help or have damaged or missing parts, call the **Customer Helpline: 0345 6400 800**
Home Retail Group, 489-499 Avebury Boulevard, Saxon Gate West, Central Milton Keynes, MK9 2NW