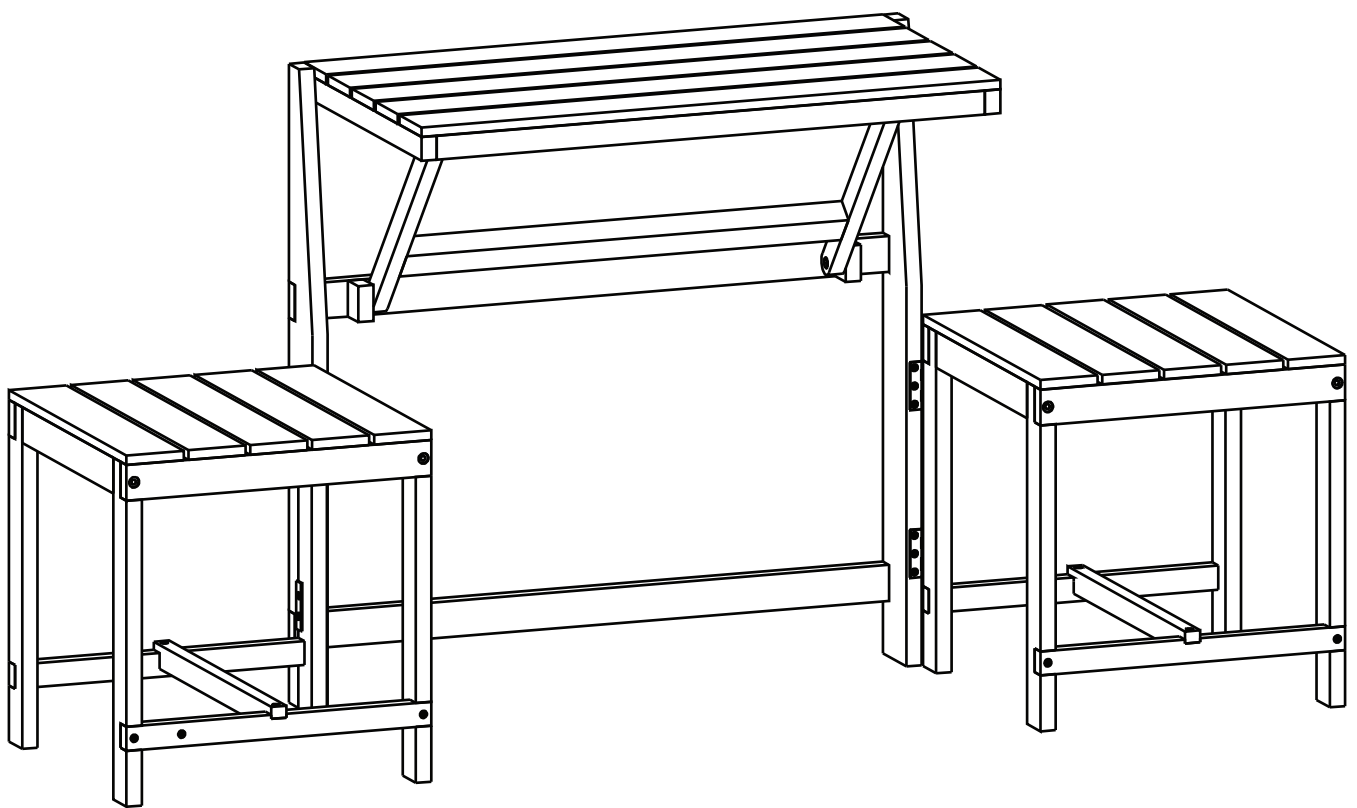


Butterfly Bistro Set



Spare Parts

 www.argos-support.co.uk

 Help@ClickSpares.co.uk

 0370 112 1928

Customer Support

 0345 640 2020



Safety and Care Advice

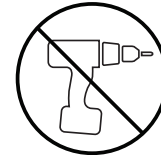
Product Details

Argos Butterfly Bistro Set - Light Wood 465/1390

IMPORTANT, RETAIN FOR FUTURE REFERENCE: READ CAREFULLY.

- Keep children and animals away from the work area, small parts could choke if swallowed.
- Make sure you have enough space to layout the parts before starting.
- This product has been constructed to be used in the domestic environment only and not for commercial purposes.

- Assemble the item as close to its final position (in the same room) as possible.
- Assemble on a soft level surface to avoid damaging the unit or your floor.
- Please note wood is a natural material, some slighty colour and grain variation and natural marks will be present.



- We do not recommend the use of power drill/drivers for inserting screws as this could damage the unit. Only use hand screwdrivers.
- Parts of the assembly will be easier with 2 people.
- Dispose of all packaging carefully and responsibly.

Warnings

- Do not stand on the table and chairs.
- Do not jump on the table and chairs.
- Do not use the chair / table as a step stool/ladder.
- Do not rock the chair whilst seated.
- Beware of the risk of falling and tipping.
- Pregnant women should take additional care when using this product.
- Do not leave the child unattended.
- Children should always be under direct adult supervision whilst using this product.
- If the product is broken or damaged, discontinue use immediately.

Care and maintenance

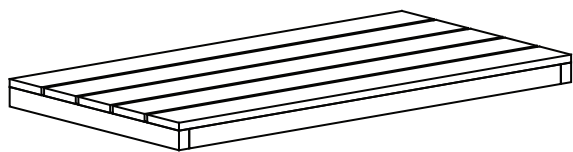
- Only clean using a damp cloth and mild detergent. Do not use abrasive cleaners.
- Do not use hard objects to rub on the product to avoid scratches.
- From time to time check that there are no loose screws, nuts or bolts. If there are please re-tighten.
- Store indoors when the product is not in use to prolong the lifetime.
- In order to prolong the life and appearance of the product, we recommend that it should be stored in a dry area when not in use.
- Always protect from severe weather conditions.
- During bad weather or winter months the product should be stored in a cool and dry place.
- This product should not be discarded with household waste. Take to your local authority waste disposal centre.
- Keep away from fire.

Additional Guidance

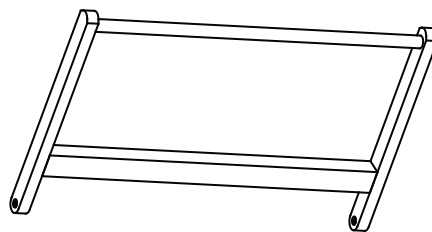
- Assemble all parts and bolts loosely during assembly, only once the product is complete should you fully tighten the bolts / screws.
- Regularly check and ensure that all bolts and fittings are tightend properly.
- Maximum weight capacity : Chair 110 kg, Table 20 kg.
- This product is compliant EN 581-1:2017, EN 581-2:2015, EN 581-3:2017, EN 1022:2018,

Sainsbury's Argos is a trading name of both: Argos Limited, Registered office: 489-499 Avebury Boulevard, Milton Keynes, United Kingdom, MK9 2NW, registered number: 01081551 (England and Wales); and Sainsbury's Supermarkets Limited, Registered office: 33 Holborn, London, EC1N 2HT, registered number: 03261722 (England and Wales). Both companies are subsidiaries of J Sainsbury's plc.

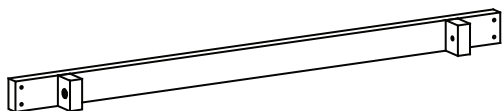
Components - Parts



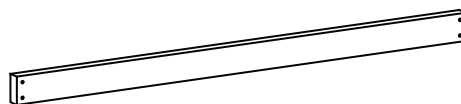
1 Table Top



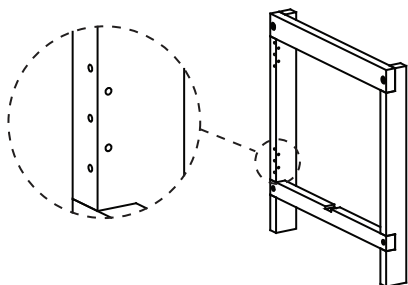
2 Wood Bracket



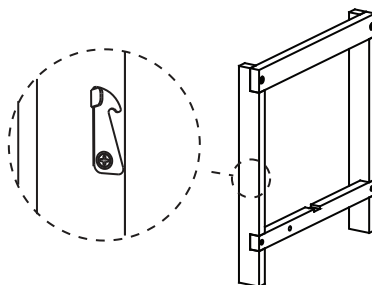
3 Upper Back Bar



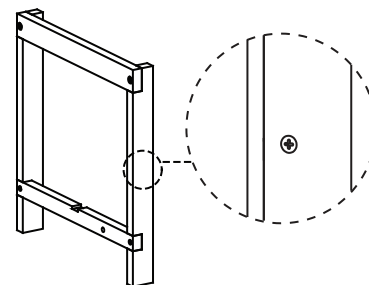
4 Lower Back Bar



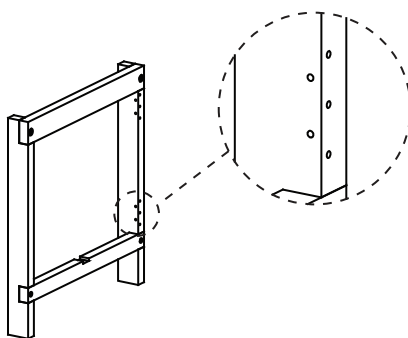
5 Left Chair - Back Leg



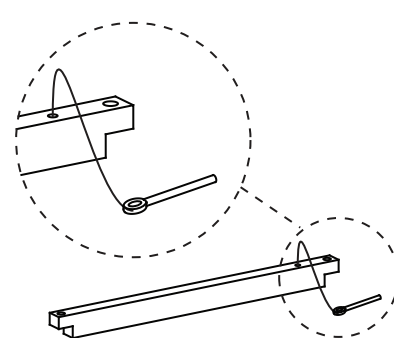
6 Left Chair - Front Leg



7 Right Chair - Front Leg



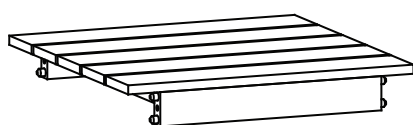
8 Right Chair - Back Leg



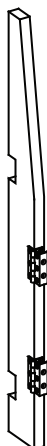
9 Stretcher with Locking pin



10 Stretcher



11 Chair Seat (x2)

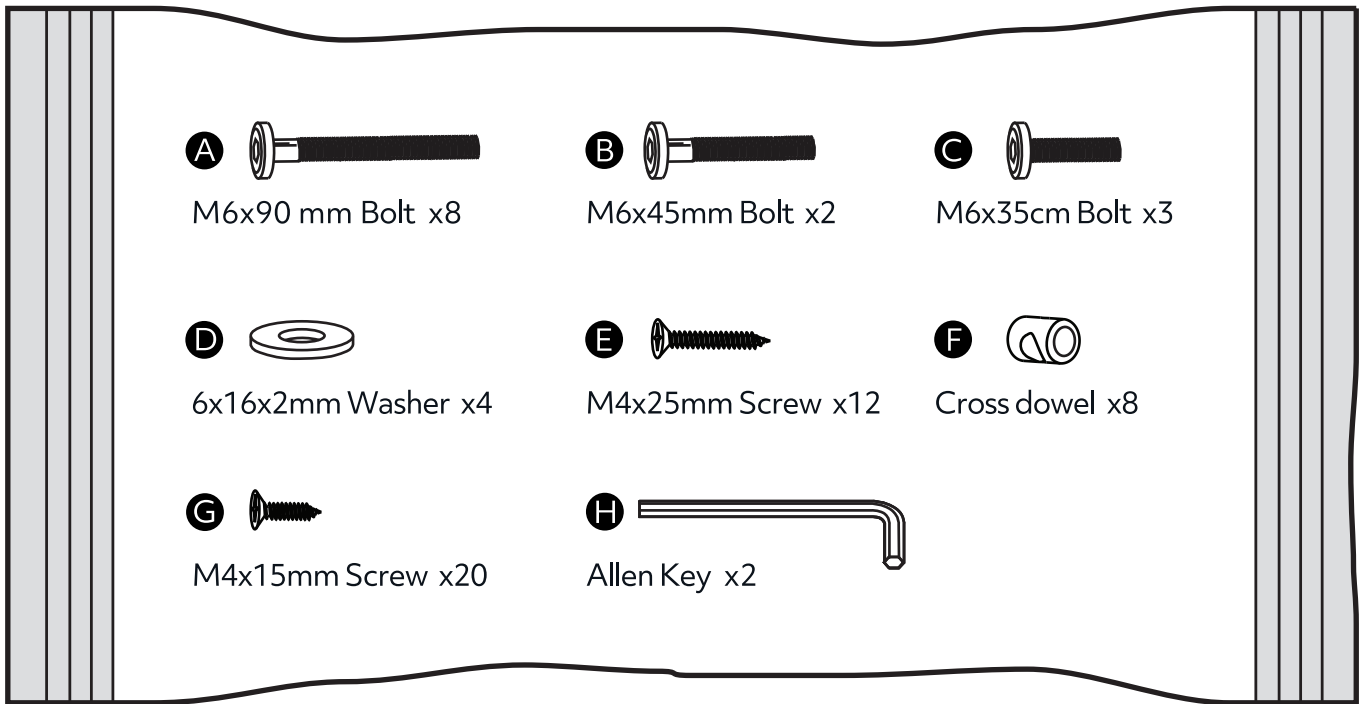


12 Table Left Leg

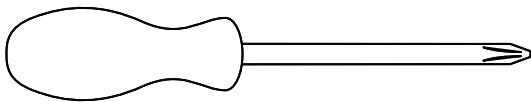


13 Table Right Leg

Components - Fittings

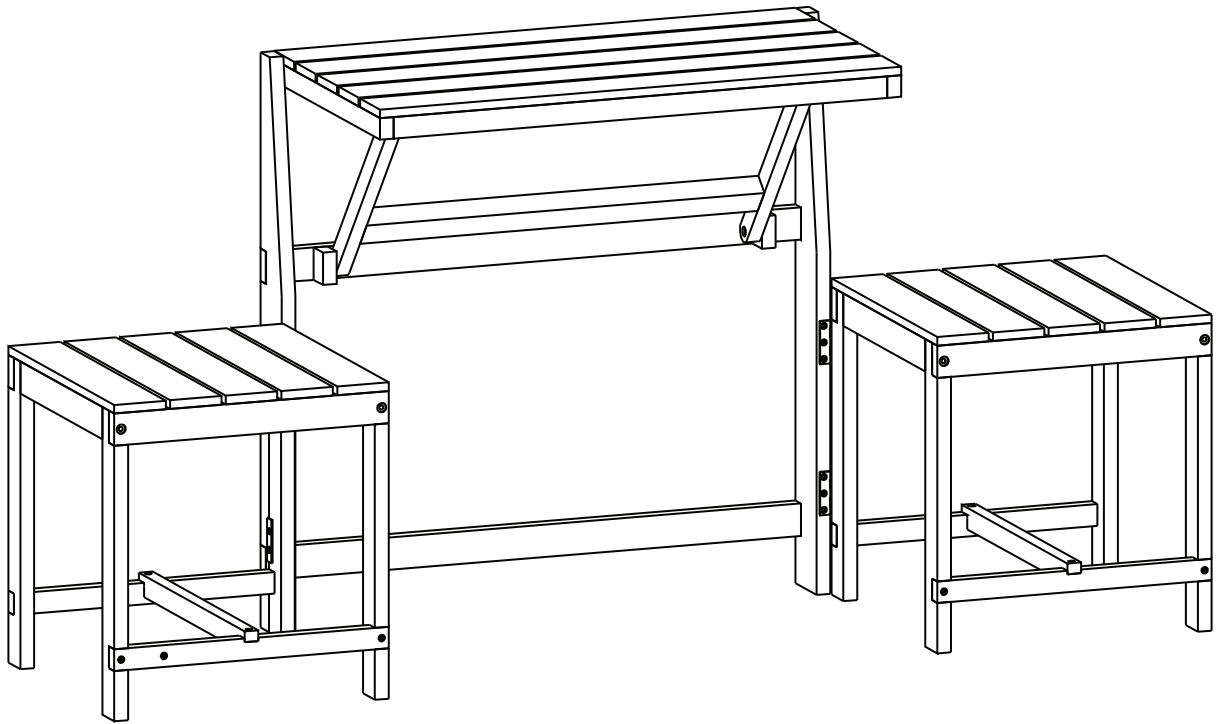


Tool required

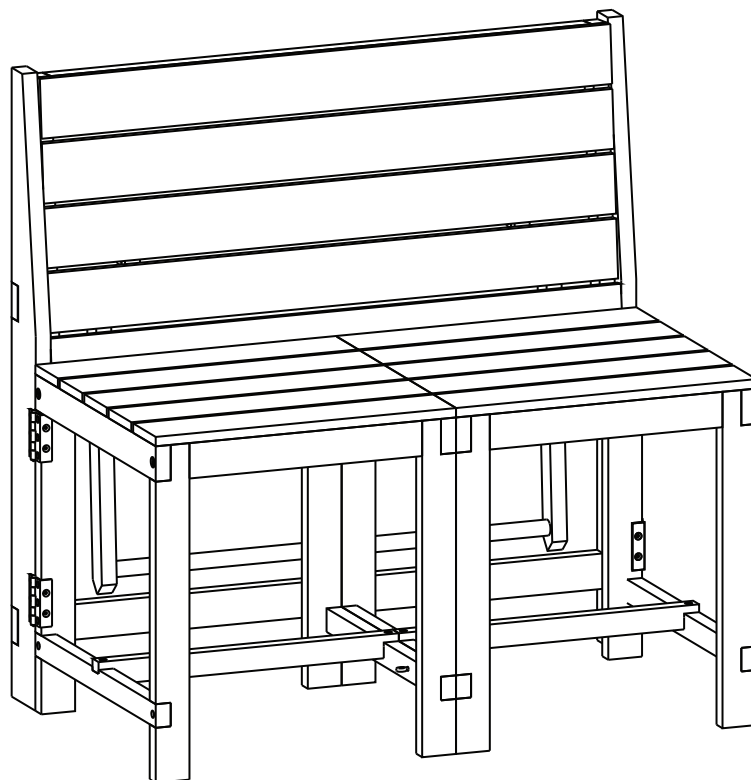


Phillips crosshead screwdriver
(small & medium)

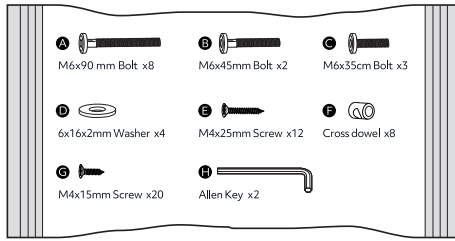
Option 1



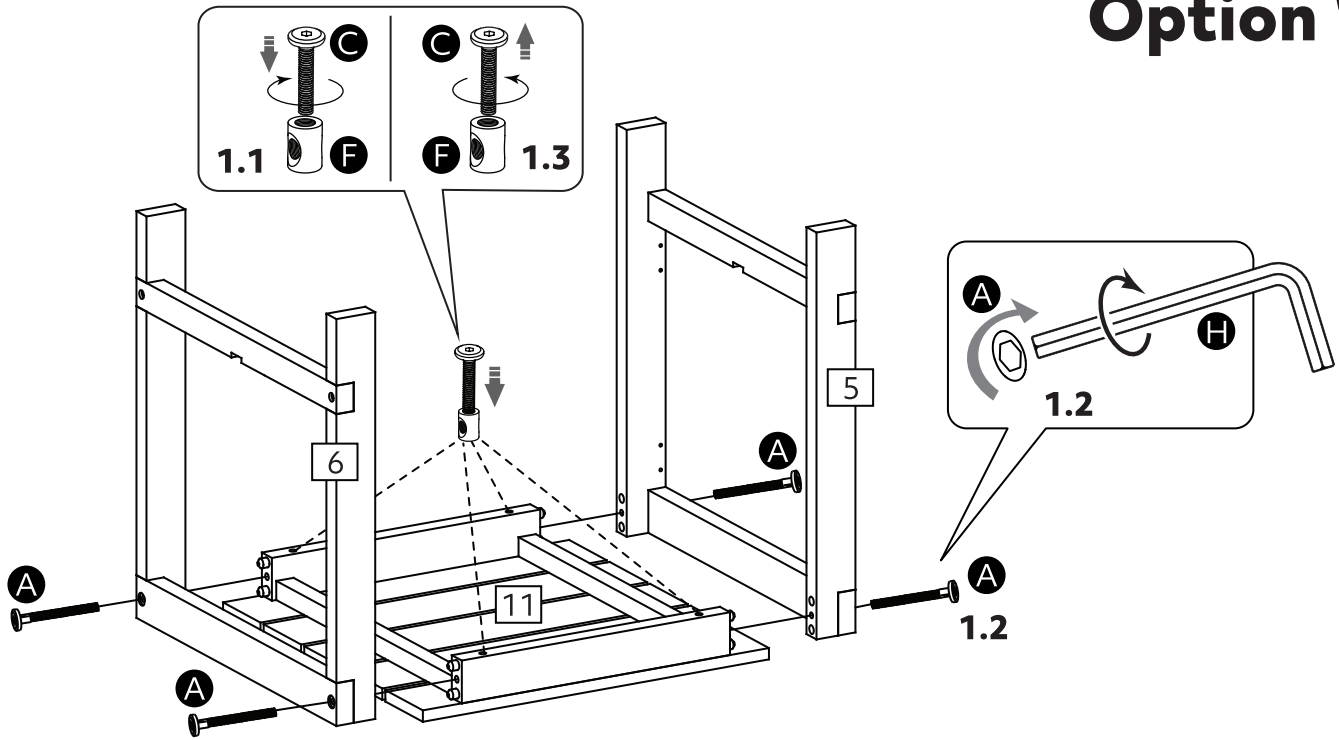
Option 2



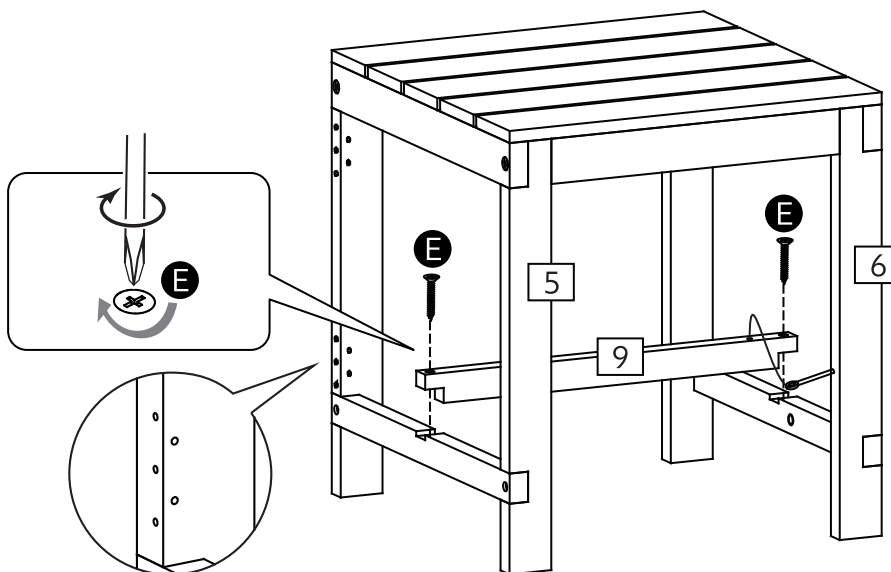
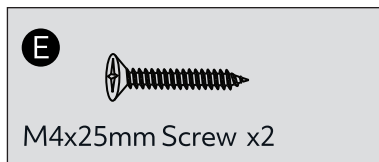
1



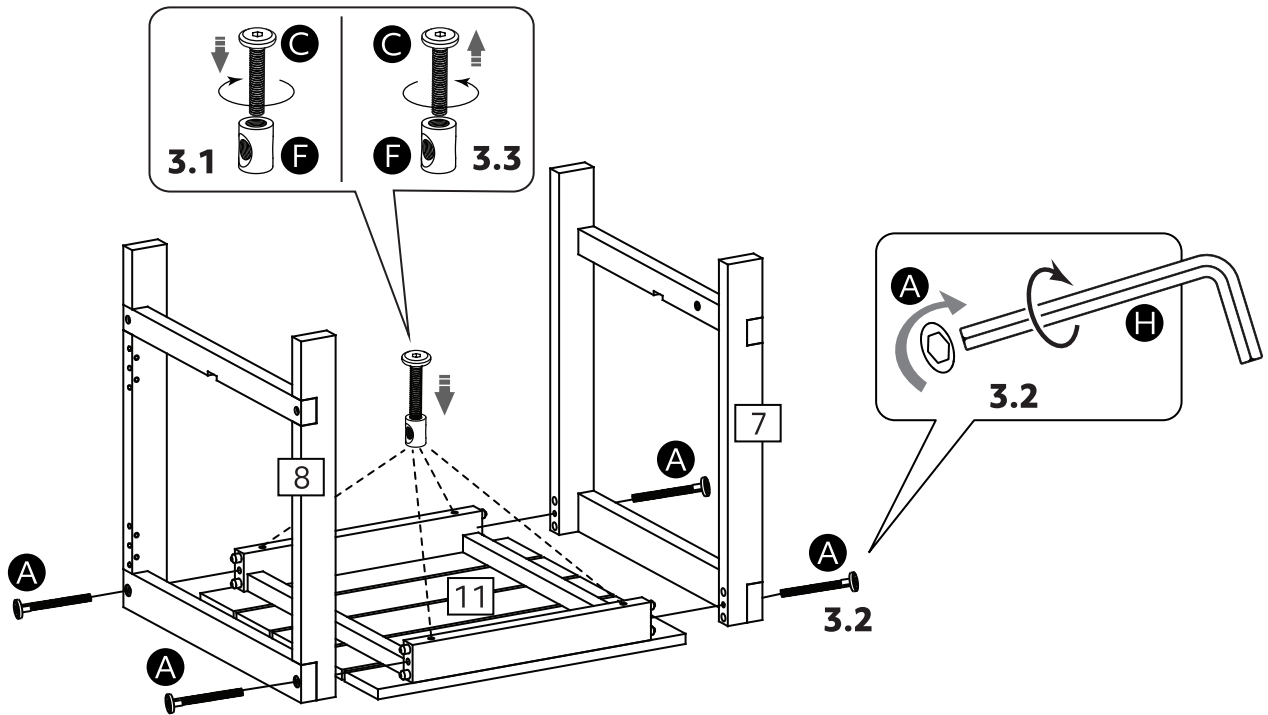
Option 1



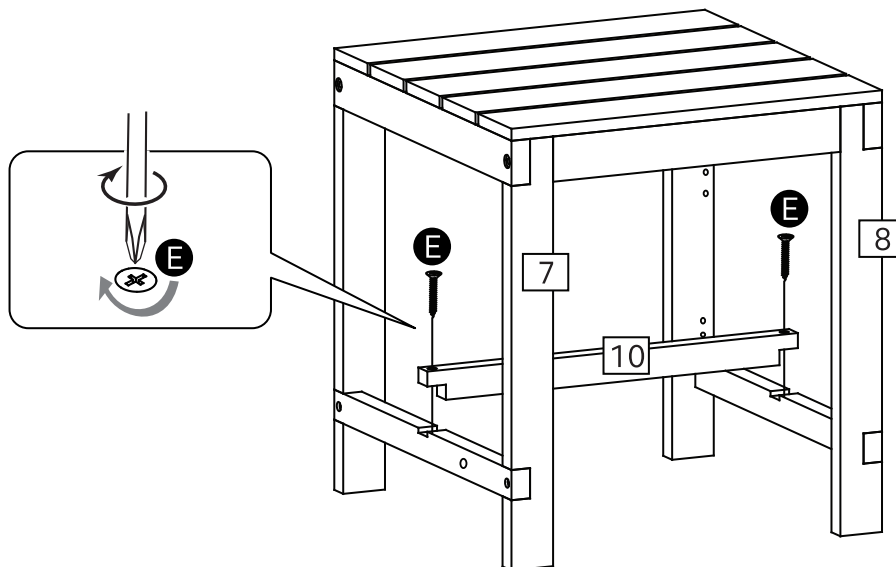
2



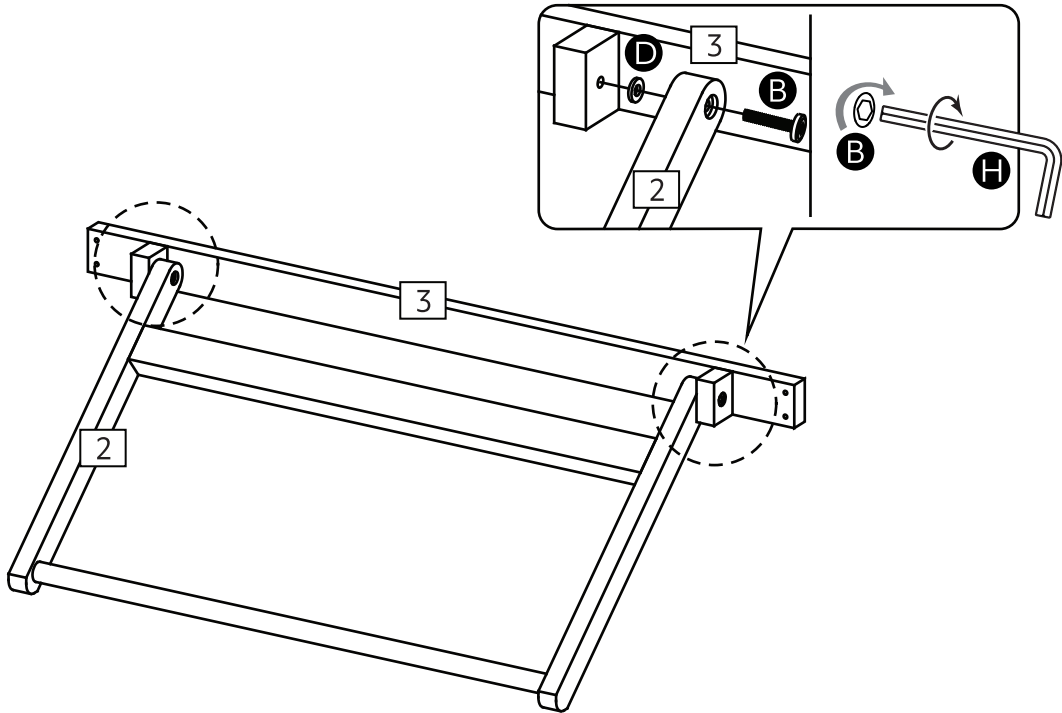
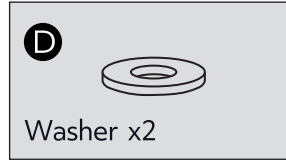
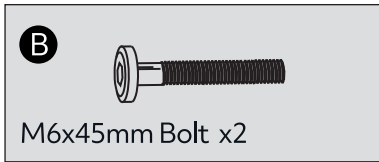
3



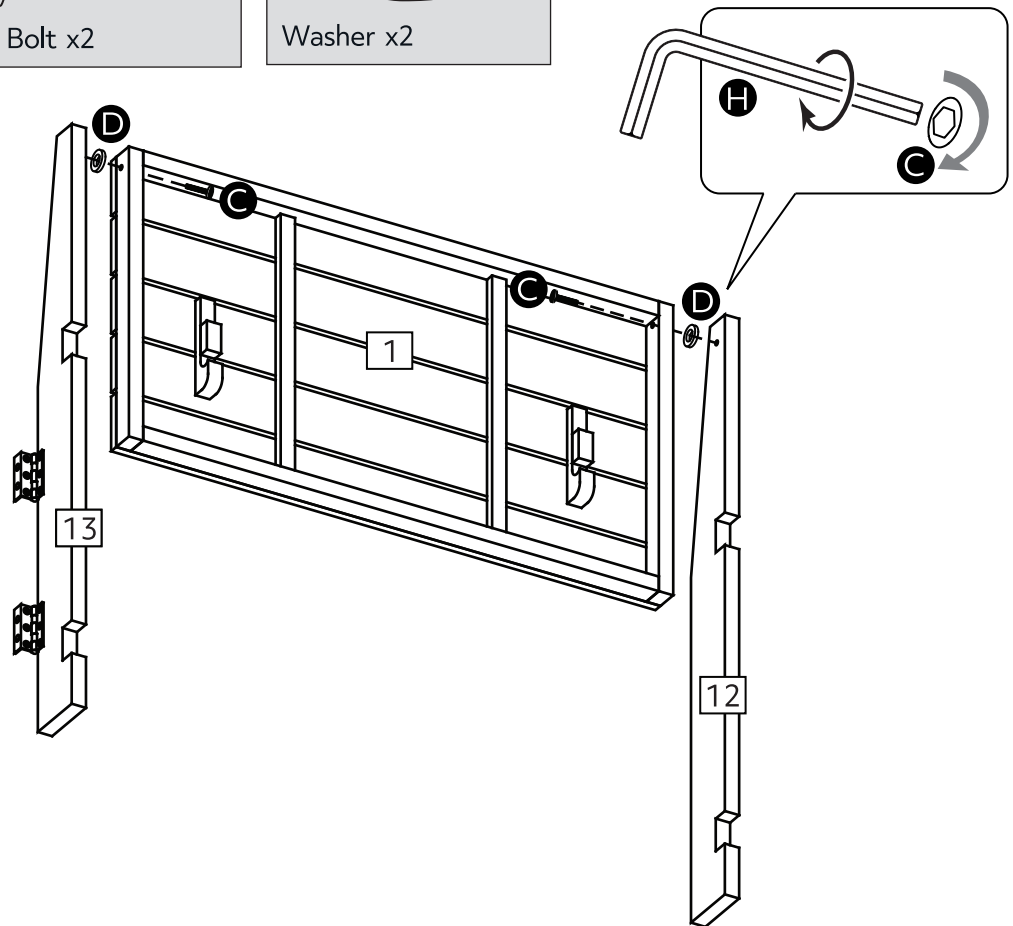
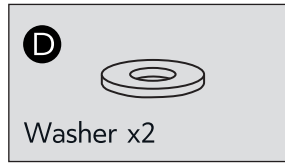
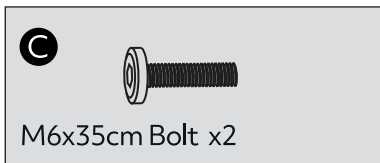
4



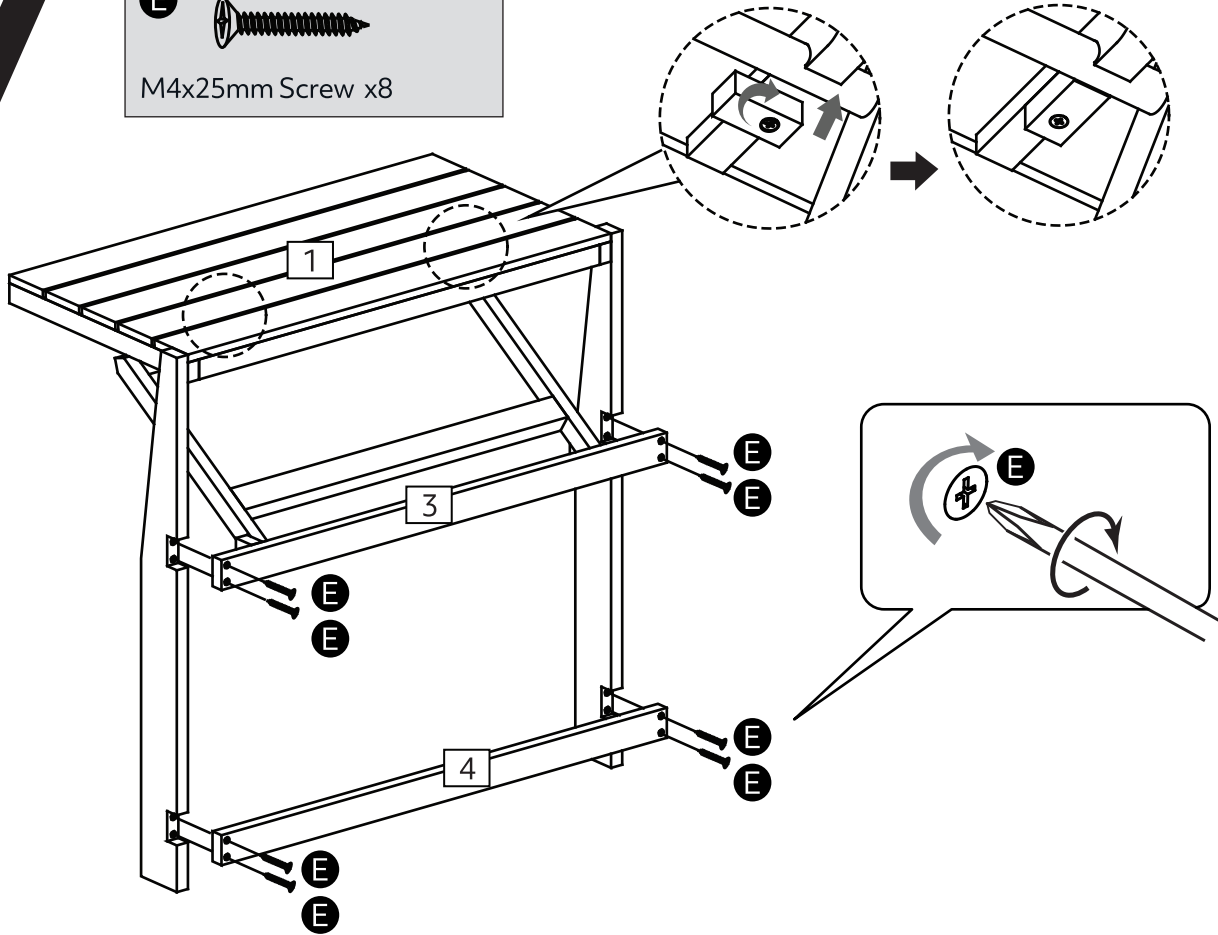
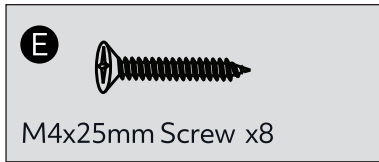
5



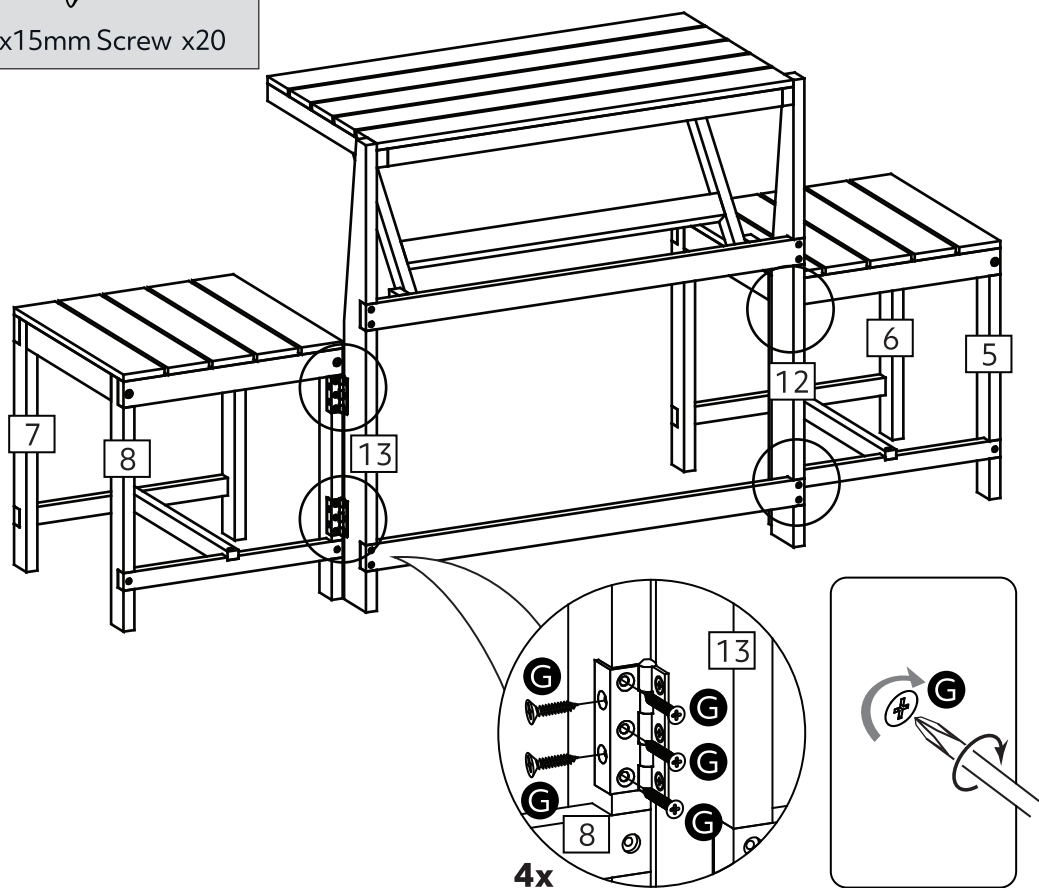
6



7

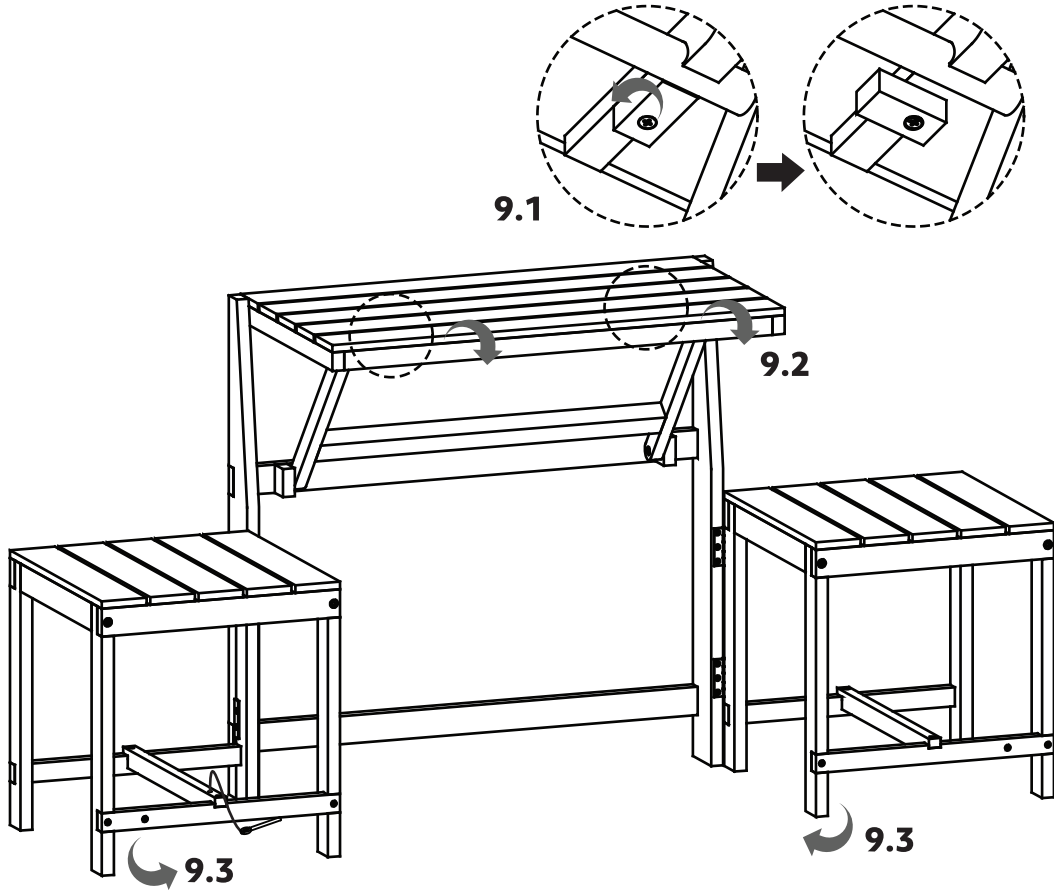


8

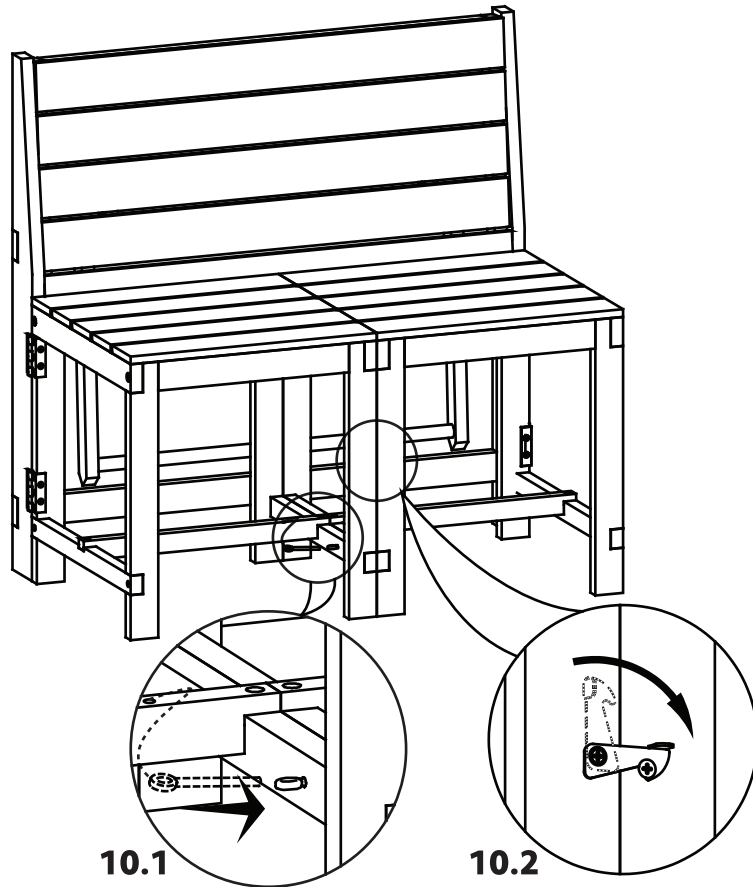


9

Option 2



10



Care Instructions for wood furniture

IMPORTANT

As your furniture has been boxed since manufacture there may be a slight oil residue on the pieces which will dry when it is left in the air. Care should be taken when assembling and using the furniture in the first couple of days particularly if light coloured clothes are worn. Hardwood has a varied texture which absorbs oil at different rates. This may mean there are some paler dry patches. If this is the case then apply a little oil as directed in the care instructions below.

Use of Wood Furniture

- This furniture has been made for the garden and is not suitable for indoor use or conservatories. If positioned on grass the legs may absorb moisture which could cause deterioration. The sunlight will make the colour of the wood mellow with time even if it is oiled.
- Never place hot dishes directly on to the wood as they will mark the surface.
- Wipe up spills immediately as the oiled surface is more susceptible to stains than a lacquered finish and the wood will absorb moisture causing the grain to rise slightly.
- Take care when moving furniture and never drag pieces as this will cause damage to the joints.
- To ensure the longevity of your garden furniture it is advised that it is covered when not in use and that it is stored in a garage or shed over the winter months. Ensure furniture is dry before storing.

Care Instructions.

- In the first three months the furniture should be oiled monthly with a hardwood garden furniture oil using a lint free cloth, paying particular attention to the ends of the legs and slats as they are more absorbent.
- After the first three months, the furniture should be oiled once a year as it is brought out at the beginning of the spring summer season and whenever the surface is looking dry. The wood will gradually change colour to a silvery grey and the surface will become rough. Regular oiling will help to minimise cracking but won't eliminate it. Cracking of the timber does not affect the durability of the product.
- Do not use oils sold for cooking or eating as they will leave a sticky film.
- If the surface of the furniture becomes slightly stained or damaged with use, then it can often be removed by sanding gently with fine sandpaper then re-oiling. If the stain or damage is more serious then we recommend that professional help is obtained.
- Please check the fixings are all tight when you put the furniture out each year, as the wood may expand or contract slightly.

Please retain for future reference.