

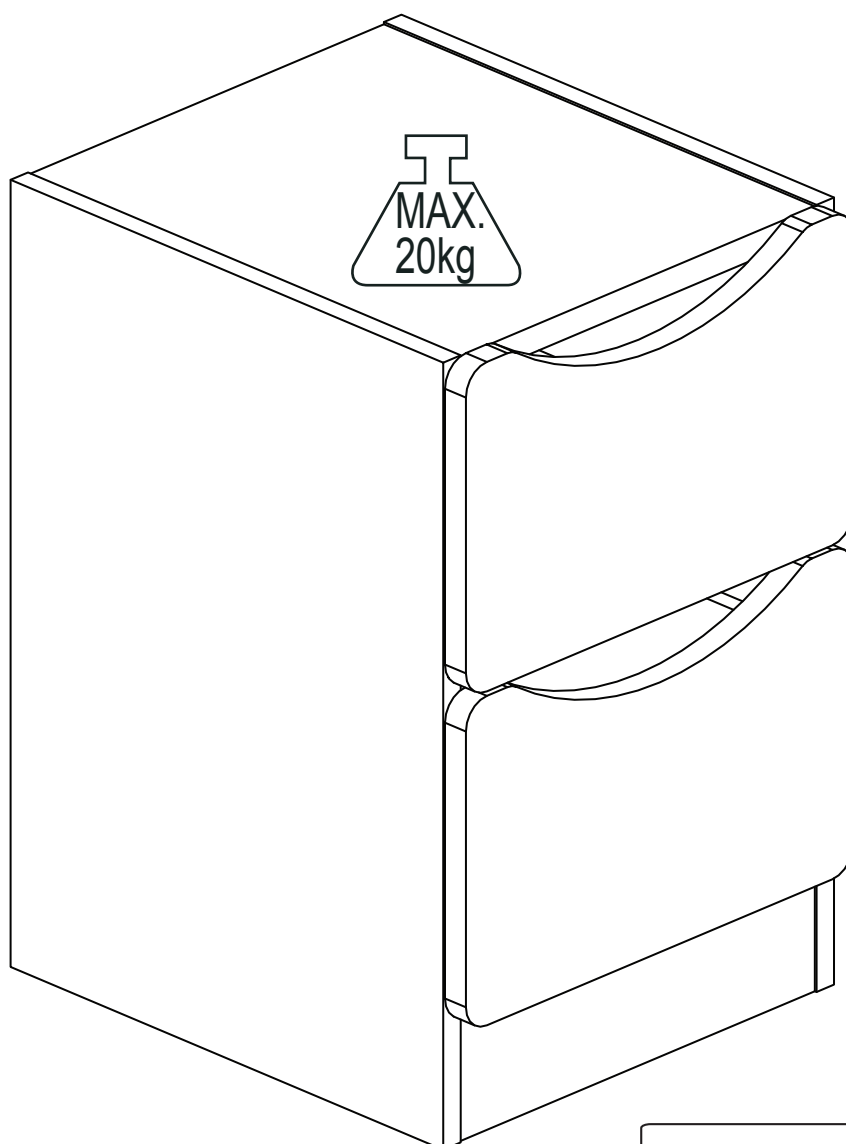
Tolga - 2drw Bedside

Assembly Instructions - Please keep for future reference

464/8231

455/6419

461/6720



Dimensions

Width - 33,6cm

Depth - 39cm

Height - 52,8cm

464/8231	OAK
455/6419	BLUE
461/6720	PINK

Tip : To prevent damage, we recommend that you build your unit on the carton(s) it was packed in.

Important – Please read these instructions fully before starting assembly

If you need help or have damaged or missing parts, please visit: www.argos-support.co.uk or email: Help@ClickSpares.co.uk (quoting your original order number)


Alternatively, call the Spares Helpline on: **0370 112 1928**

For any other queries please contact the Customer Helpline on: **0345 640 2020**



Safety and Care Advice

Important – Please read these instructions fully before starting assembly

- Check you have all the components and tools listed on the following pages.
 - Remove all fittings from the plastic bags and separate them into their groups.
 - Keep children and animals away from the work area, small parts could choke if swallowed.
 - Make sure you have enough space to layout the parts before starting.
 - During assembly do not stand or put weight on the product, this could cause damage.
 - Assemble the item as close to its final position (in the same room) as possible.
 - Assemble on a soft level surface to avoid damaging the unit or your floor.
 - Parts of the assembly will be easier with 2 people.
- 
- To reduce the likelihood of damaging your product please ensure that your power drill is set on a low torque setting.
 - Assembly should be carried out by a competent adult only.
 - do not use this item if any components are missing or damaged.
 - this item is suitable for children from the age of 6.

Glue safety - Take care when using glue, please follow the advice below•

Skin contact: Remove contamination by washing with soap and water. This procedure should also be followed prior to eating and drinking.

Eye contact: Rinse immediately with clean water for 15 minutes and seek medical advice.

If swallowed: Seek medical advice immediately.

Care and maintenance

• Only clean using a damp cloth and mild detergent, do not use bleach or abrasive cleaners.

• From time to time check that there are no loose screws on this unit.

• This product should not be discarded with household waste. Take to your local authority waste disposal centre.

Handy Hints

• Assemble all parts and bolts loosely during assembly, only once the product is complete should you fully tighten the bolts

• Regularly check and ensure that all bolts and fittings are tightened properly.

Note: if required the next page can be cut out and used as reference throughout the assembly. Keep this page with these instructions for future reference.

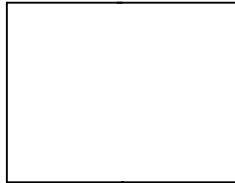
Components - Panels

If you have damaged or missing components, call the **Customer Helpline: 03456 400 800**

Please check you have all the panels listed below



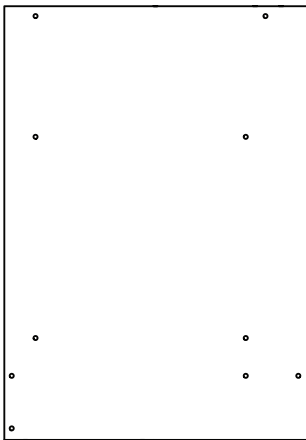
1 Top x 1
(371 x 306 x 18mm)
P1978



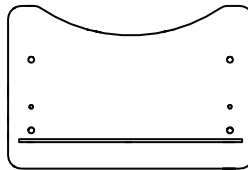
2 Drawer Base x 2
(343 x 267 x 2.5mm)
BO2542



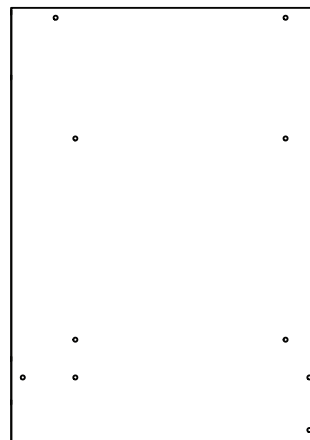
3 Back x 1
(331 x 452 x 2.5mm)
BO2541



5 Left Side x 1
(372 x 528 x 15mm)
P2091B



4 Drawer Front x 2
(333 x 221 x 18mm)
P4135



7 Right Side x 1
(372 x 528 x 15mm)
P2092B



6 Plinth x 2
(306 x 92 x 15mm)
P7059



8 Left Drawer Side x 2
(350 x 140 x 12.50mm)
LA1614



9 Drawer Back x 2
(257 x 140 x 12.50mm)
LA1616



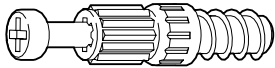




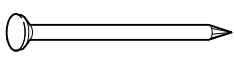
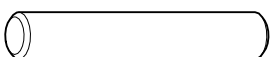




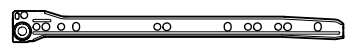
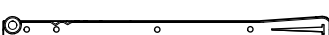
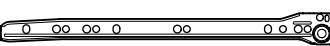
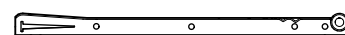
10 Right Drawer Side x 2
(350 x 140 x 12.50mm)
LA1615



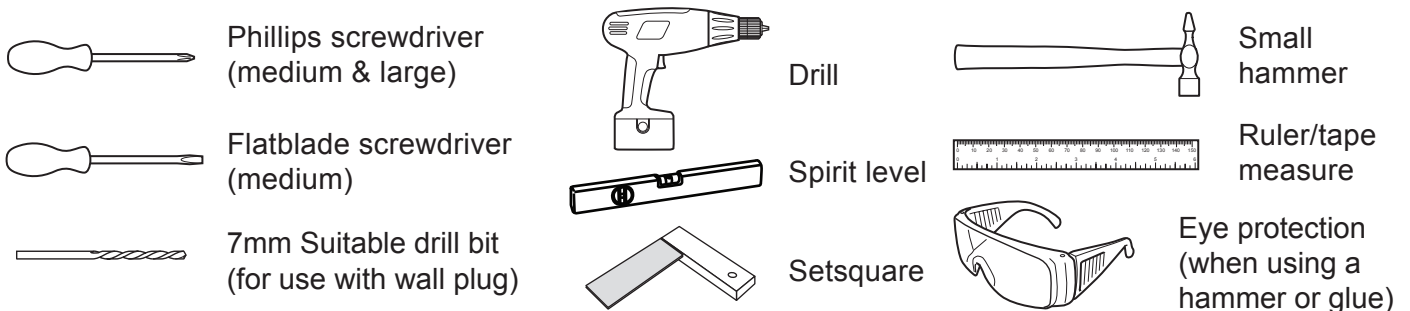
Components - Fittings

Please check you have all the fittings listed below

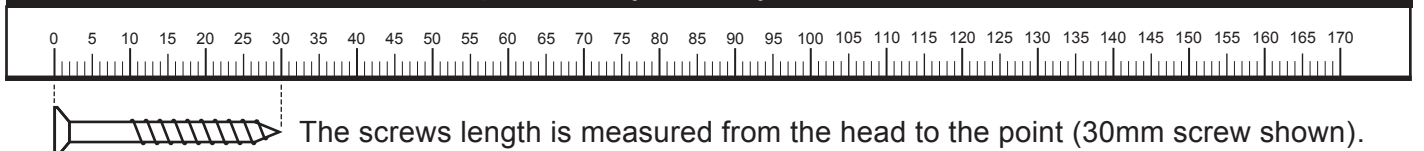
Note: The quantities below are the correct amount to complete the assembly. In some cases more fittings may be supplied than are required.

A  FK1011 Locking screw x 12 (5x24mm)	B  FK1010 Locking nut x 4 (12x10mm)	C  FK1012 Large locking nut x 8 (15x12mm)
D  FK1311 Screw x 28 (3x15mm)	E  FK1301 10mm Fixing screw drawer x 8	F  FK1515 Nail x 30
G  FK1410 Wood dowel x 4 (5x30mm)	H  FK1234 Peg, brown x 1	I  FK1250 Drawer base support x 4
J  FK1415 Nail holder x 1	K  FA1510 Glue x 1	L  PM1517 LA Runner left part A x 2
M  PM1517 LB Runner left part B x 2	N  PM1517 RA Runner right part A x 2	O  PM1517 RB Runner right part B x 2

Tools required



Ruler - Use this ruler to help correctly identify the screws



Assembly Instructions

Step - 1

Insert large locking nuts **C** into plinth **6**.

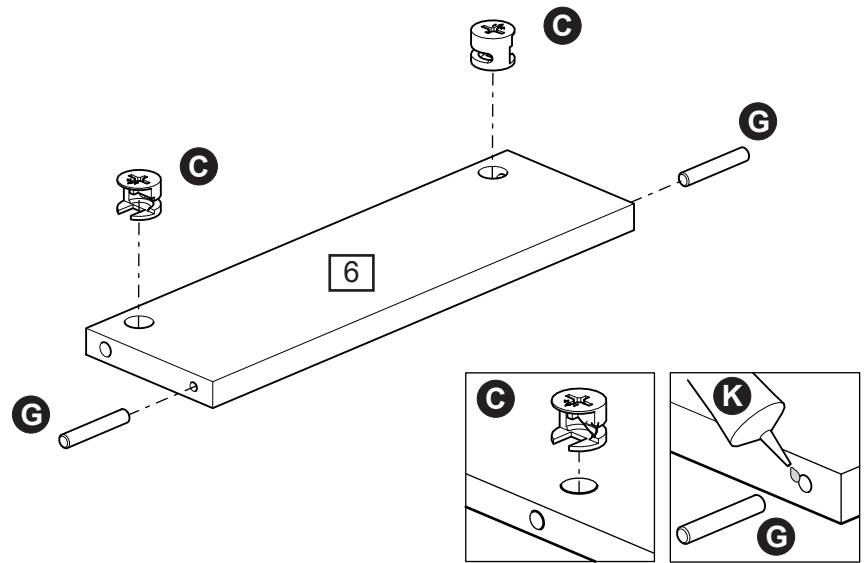
2x

Make sure the 'arrow' on locking nuts **C** points towards the hole in the edge of **6**.

Put drop of glue **K** into the 2 holes of plinth **6**.

Put dowels **G** into the holes of plinth **6**.

Do this step twice



Step - 2

Attaching runners

a: Fix runner right part **A** **N** on right right side **7** as shown using 10mm fixing screw drawer **E** into right side **7**

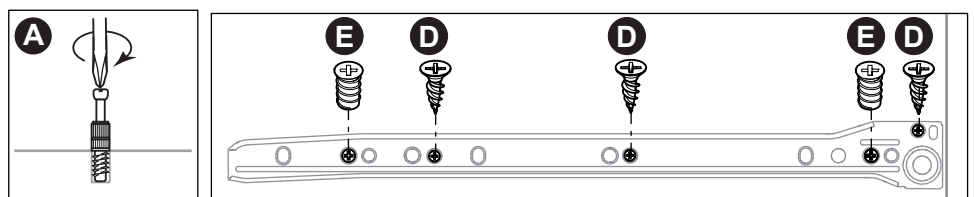
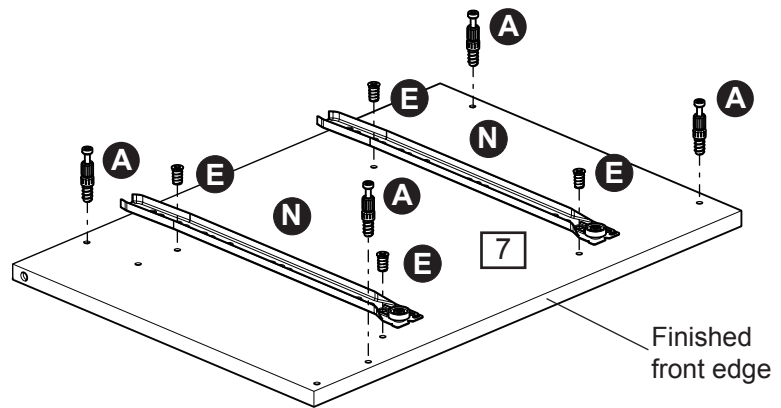
Note: look careful for the right position.

Screw 24mm locking screw **A** into right side **7**.

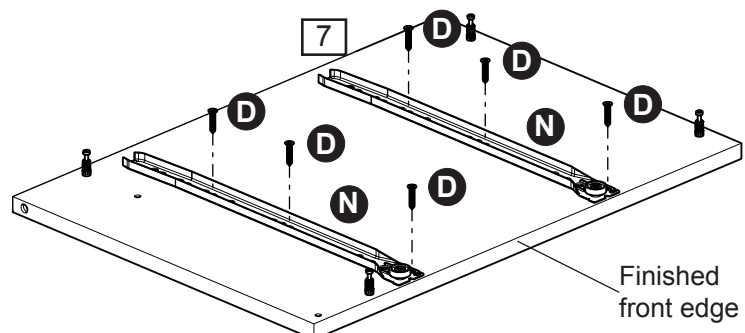
Note: Insert 24mm locking screw **A** as far as shown. **Do not over tighten.**

b: Insert screw **D** as shown into right side **7** to fix runner right part **A** **N**.

a:



b:



Assembly Instructions

Step - 3

Attaching runners

a: Fix runner left part A **L** on left side **5** as shown using 10mm fixing screw drawer **E** into left side **5**.

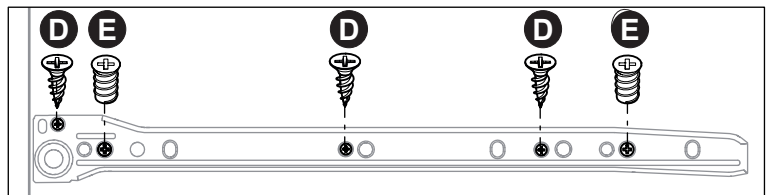
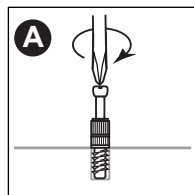
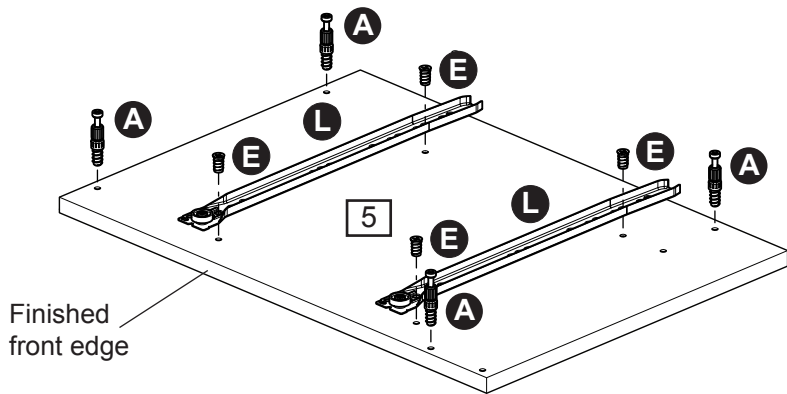
Note: look careful for the right position.

Screw 24mm locking screw **A** into left side **5**.

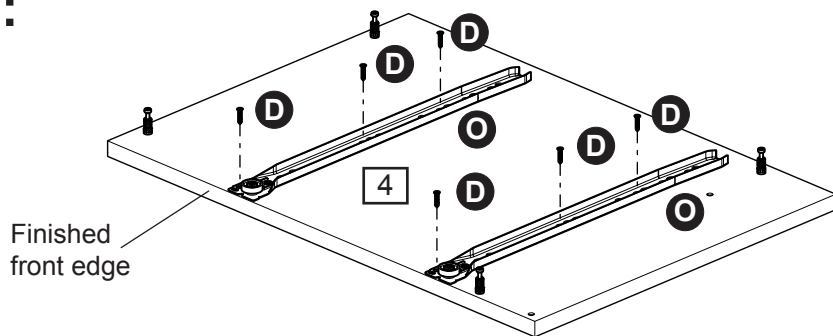
Note: Insert 24mm locking screw **A** as far as shown. **Do not over tighten.**

b: Insert screw **D** as shown into left side **5** to fix runner left part A **L**.

a:



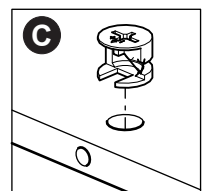
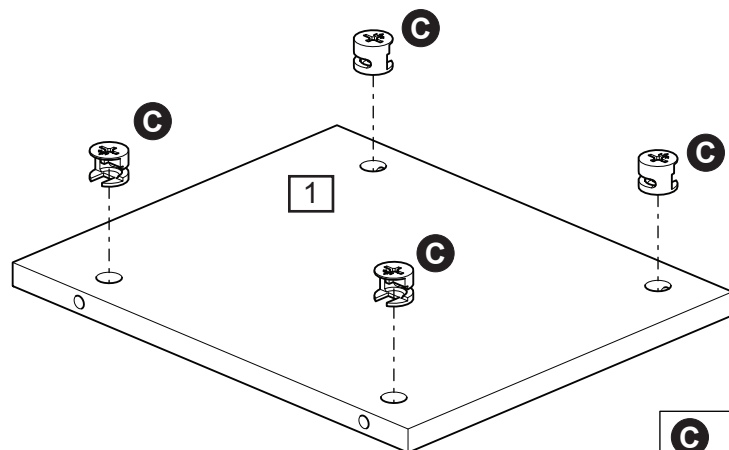
b:



Step - 4

Insert large locking nuts **C** into top **1**.

Make sure the 'arrow' on locking nuts **C** points towards the hole in the edge of top **1**.



Assembly Instructions

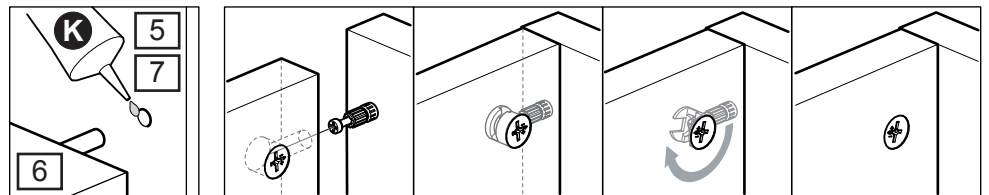
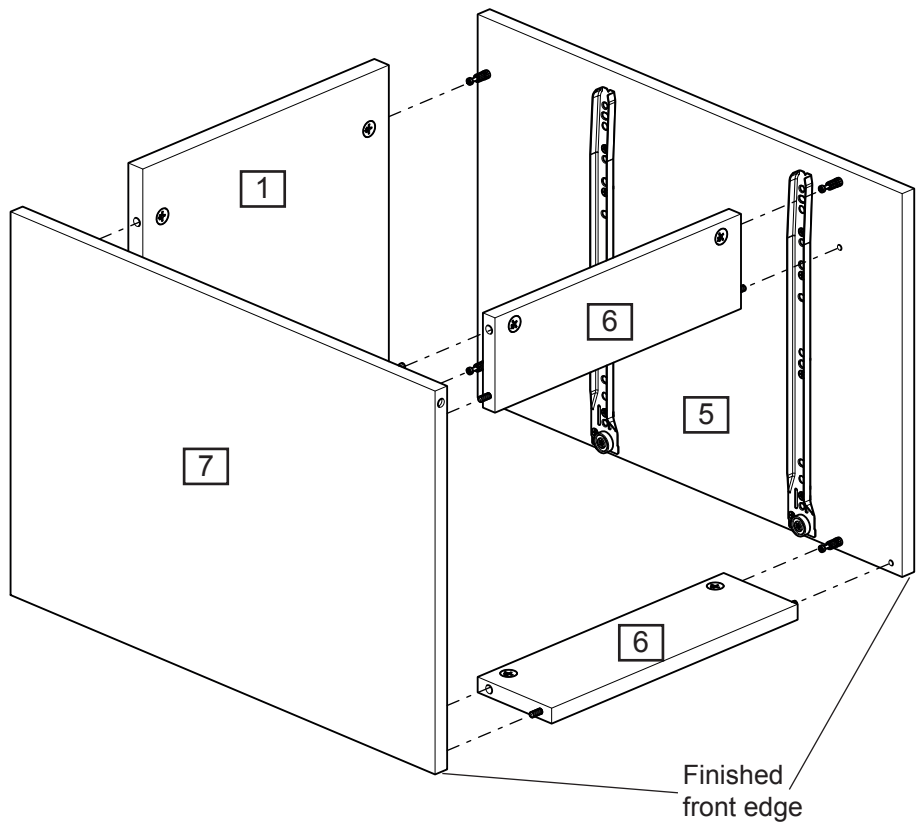
Step - 5

Attaching panels

Put drop of glue **K** into the 2 holes of left side **5** and right side **7** on the bottom of the sides.

Position left side **5** and right side **7** onto plinth **6** and top **1**.


Use a screwdriver to turn locking nuts clockwise to lock.

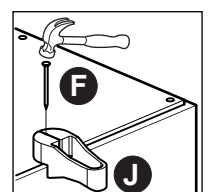
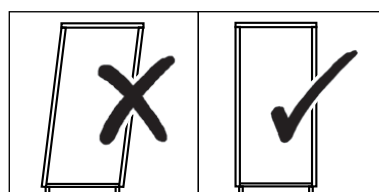
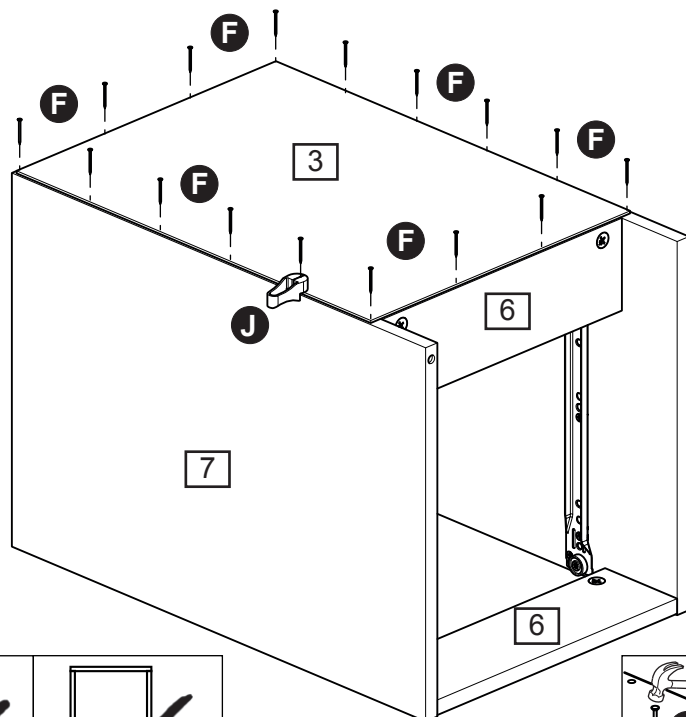


Step - 6

Fitting back panel

Attach back **3** to the back with the coloured surface facing the inside using nails **F**. Use nail holder **J** to hold the nails **F** vertical and at correct distance as you secure the back **3**. Nails **F** should be spaced about 150mm apart.

 **Important:**
Furniture **MUST** be 'square' when back is attached.



Assembly Instructions

Step - 7

Preparing drawer

Insert locking nuts **B** into left drawer side **8** and right drawer side **10**.

Make sure the 'arrow' on locking nuts **B** points towards the hole in the edge of **8** and **10**.

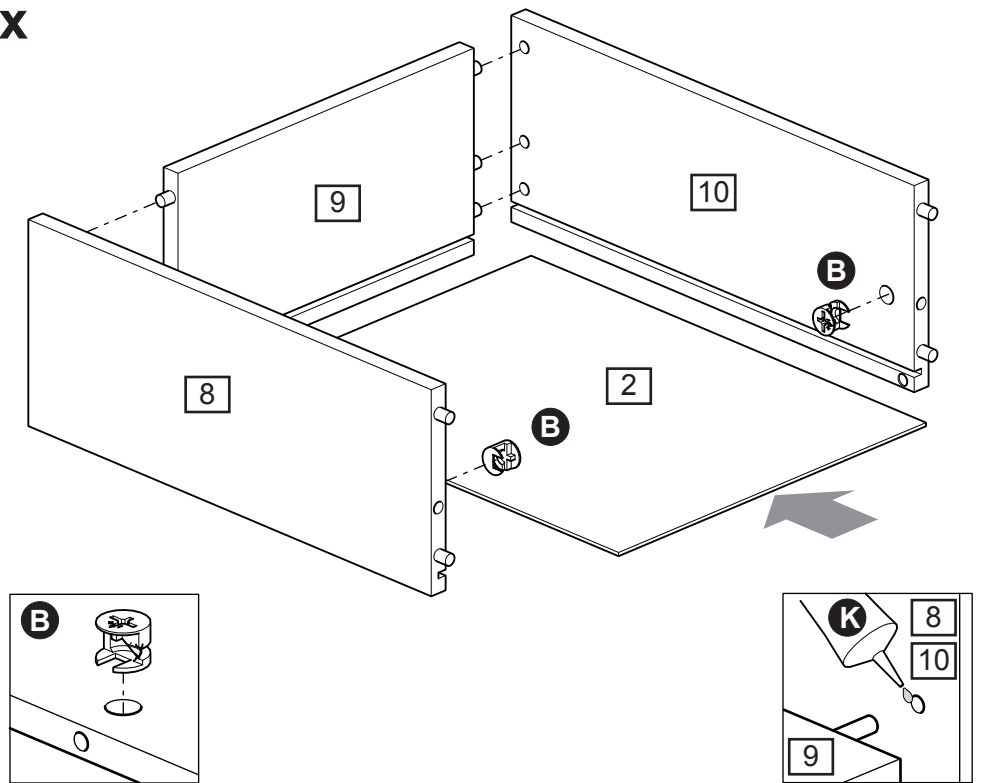
Put drop of glue **K** into the 3 holes of left drawer side **8** and right drawer side **10**.

Attach left drawer side **8** and right drawer side **10** onto drawer back **9**.

Insert drawer back **2**.

Do this step twice

2x



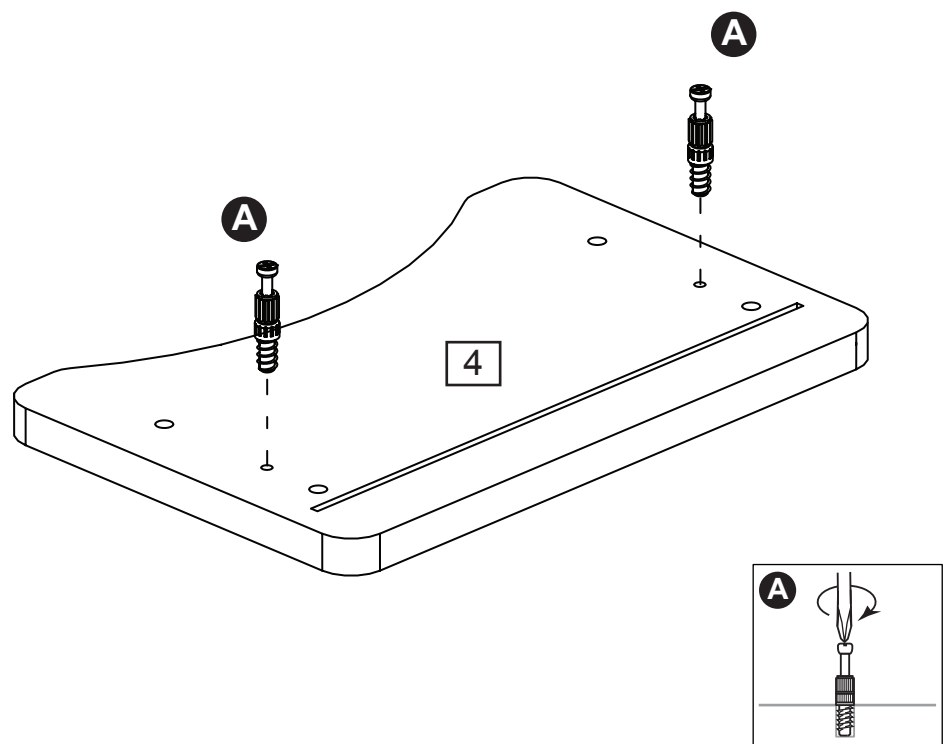
Step - 8

Screw 24mm locking screw **A** into drawer front **4**.

Note: Insert 24mm locking screw **A** as far as shown. **Do not over tighten.**

Do this step twice

2x



Assembly Instructions

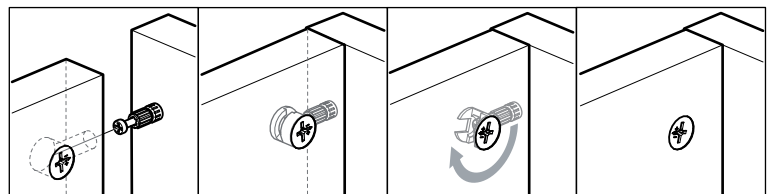
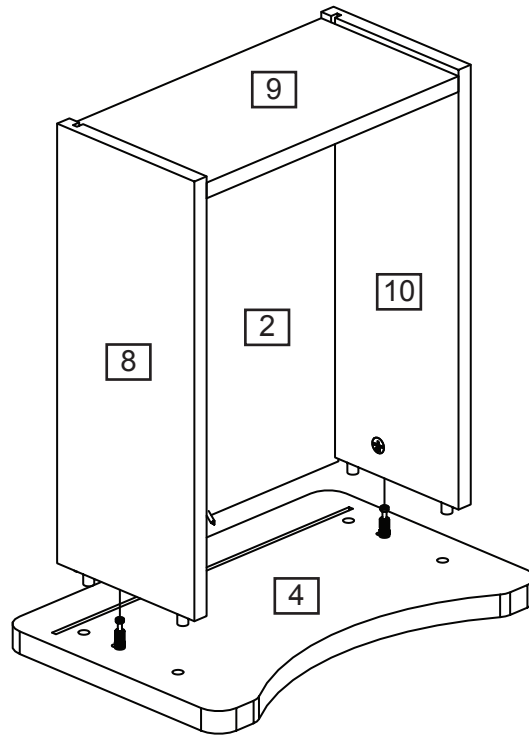
Step - 9

Position drawer onto drawerfront [4].

Use a screwdriver to turn lockingnuts clockwise to lock.

Do this step twice

2x

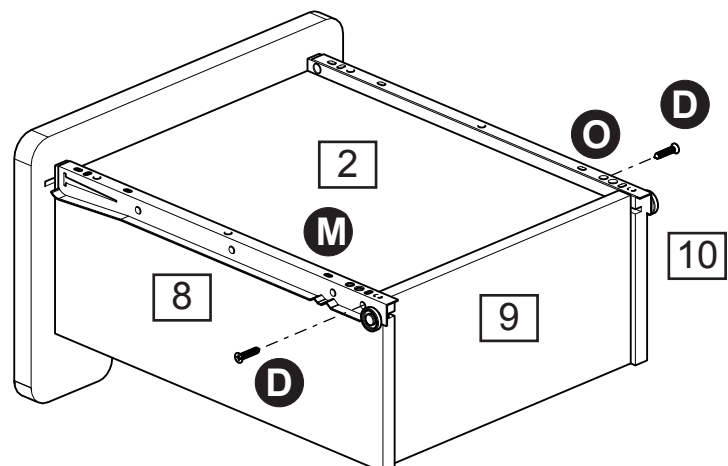


Step - 10

a: Turn over drawer.
Fix runner left part B (M) on left drawer side [8] as shown using 12,5mm pozi screw (D).
Fix runner right part B (O) on right drawer side [10] as shown using screw (D).

a:

2x



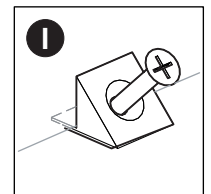
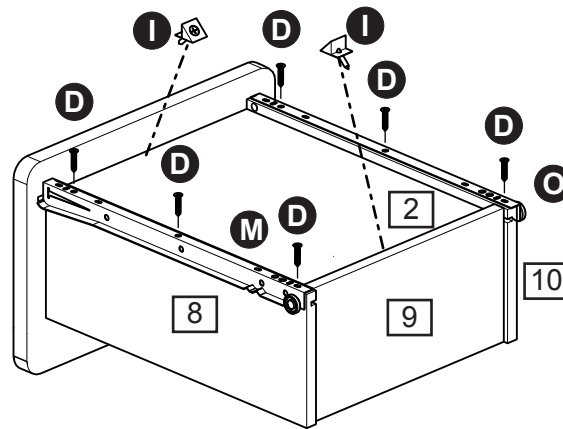
Assembly Instructions

Step - 10

b: Fix runner left part B **(M)** and runner right part B **(O)** using screw **(D)**.
Slide drawer base support **(I)** in corner as shown and fix them, using the attached nail.

b:

2x



Step - 11

Inserting drawers
as shown.

Use peg **(H)** to square your furniture. Knock peg **(H)** in, as far as you require, under the end of the side of the furniture. Then snap off flush with the side.

