

Hendry 3' Ottoman Bed

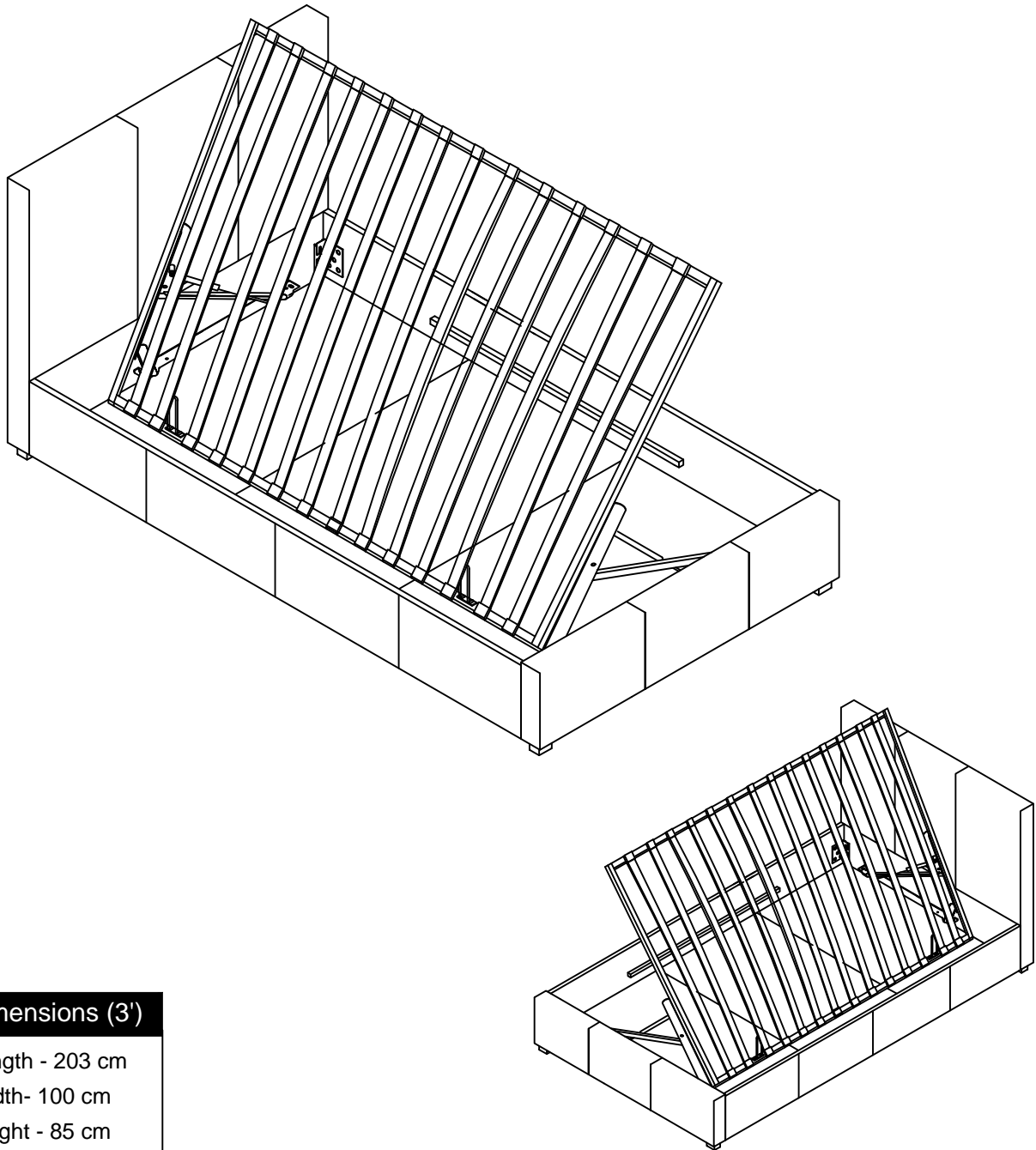
Assembly Instructions - Please keep for future reference

464/3205

464/6408

464/8970

hygena



Dimensions (3')

Length - 203 cm
Width - 100 cm
Height - 85 cm

Important – Please read these instructions fully before starting assembly

If you need help or have damaged or missing parts, call the **Customer Helpline: 0345 6400 800**



Safety and Care Advice

Important – Please read these instructions fully before starting assembly

Check you have all the components and tools listed on pages 2, 3 and 4.

Remove all fittings from the plastic bags and separate them into their groups.

Keep children and animals away from the work area, small parts could choke if swallowed.

Make sure you have enough space to layout the parts before starting.

Assemble the item as close to its final position (in the same room) as possible.

Assemble on a soft level surface to avoid damaging the unit or your floor.

Assembly requires 2 people.

Do not fully tighten bolts until the whole bed is assembled. Do not overtighten the nuts to avoid causing damage to the threads.



We do not recommend the use of power drill/drivers **for inserting screws**,

as this could damage the unit. Only use hand screwdrivers and Allen keys.

Dispose of all packaging carefully and responsibly.

Care and maintenance

Only clean using a damp cloth and mild detergent, do not use bleach or abrasive cleaners.

From time to time check that there are no loose screws on this unit.

This product should not be discarded with household waste. Take to your local authority waste disposal centre.

Important Ottoman Safety Warnings

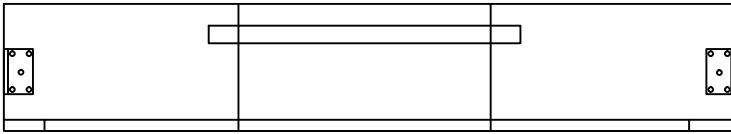
- Caution. This bed uses a pressurised mechanism.
- Use caution when operating - Always use two hands at arm's length, and only where illustrated on the product.
- You must ensure the mattress is on the bed frame before lifting the mechanism - Failure to do so may result in injury.
- Please ensure Children and pets are kept away from the bed when operating the bed mechanism.
- If removing the mattress, make sure that the frame is secured as it could flip open.
- Only use the storage compartment when when the frame is fully raised in the 'up' position.
- No children or animals are left unattended when the frame is in the 'up' position.
- Do not remain on the bed whilst the lifting mechanism is in use.
- Beware of Entrapment - Keep both hands clear of mechanism when operating the mechanism.
- When lifting the bed remove all bedding - Except the fitted sheet.



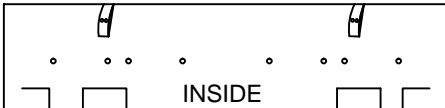
Components - Parts

If you have damaged or missing components.
call the **Customer Helpline: 0345 6400 800**

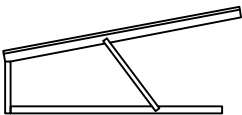
Please check you have all the parts listed below



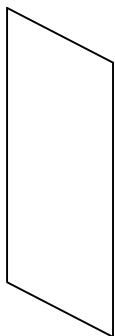
1 Side rail x 2 (1930*310mm)



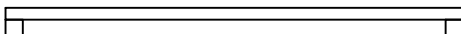
3 Footboard
(1000*310mm)



4 Hinges (x 1 pair)
(750*115mm)



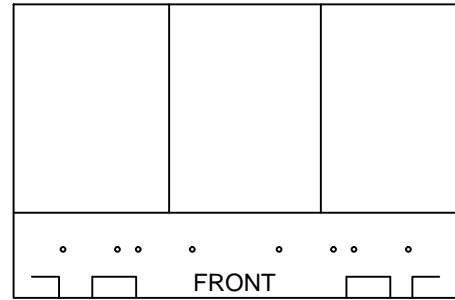
6 Base panelx2 (600*928mm)



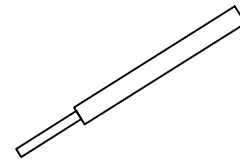
9 Ottoman end frame x 2
(920*118mm)



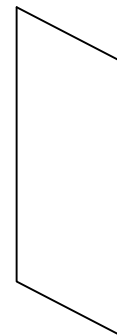
10 Ottoman side frame
(1817*30mm)
Note:Extra holes



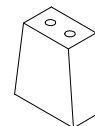
2 Headboard
(1000*810mm)



5 Piston x 2
(420mm)



7 Base panelx1 (724*928mm)

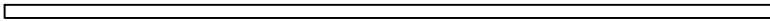


8 Feet x 4
(62*33*41.6mm)

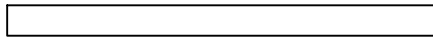
Components - Parts

If you have damaged or missing components, call the **Customer Helpline: 0345 6400 800**

Please check you have all the parts listed below



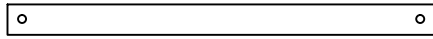
- 11** Ottoman side frame
(1817*30mm)



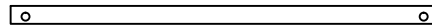
- 12** Bentwood Slats x 14
(913*9*53mm)



- 13** Base Support x 4 (120*20mm)



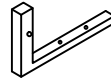
- 14** Wooden support rail x 2 (928*60mm)



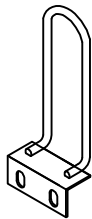
- 15** Metal support rail x 1 (928*20mm)



- 16** Slat caps x 28 (5.5mm)



- 17** Corner bracket x 4
(120*80mm)





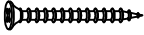
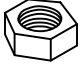

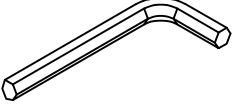


- 18** Mattress support
bracket x 2
(Ø6*78mm)

Components - Fittings

If you have damaged or missing components, call the **Customer Helpline: 0345 6400 800**

Please check you have all the fittings listed below

Note: The quantities below are the correct amount to complete the assembly. In some cases more fittings may be supplied than are required.

<p>A</p>  <p>25mm M8 Bolt x 16</p>	<p>B</p>  <p>15mm M6 Bolt x 24</p>	<p>C</p>  <p>35mm M4 Wood screw x 28</p>
<p>D</p>  <p>Nut x 4</p>	<p>E</p>  <p>19mm Flat washer x 8</p>	<p>F</p>  <p>5mm Allen key x 1</p>
<p>G</p>  <p>4mm Allen key x 1</p>	<p>H</p>  <p>Spanner x 1</p>	

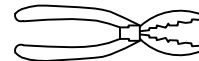
Tools required



Ruler/tape measure

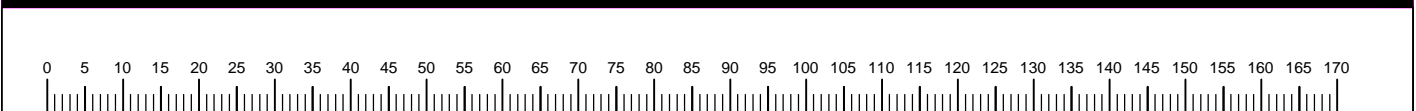


Phillips screwdriver
(Not supplied)



PLIERS (Not supplied)

Ruler - Use this ruler to help correctly identify the screws



Assembly Instructions

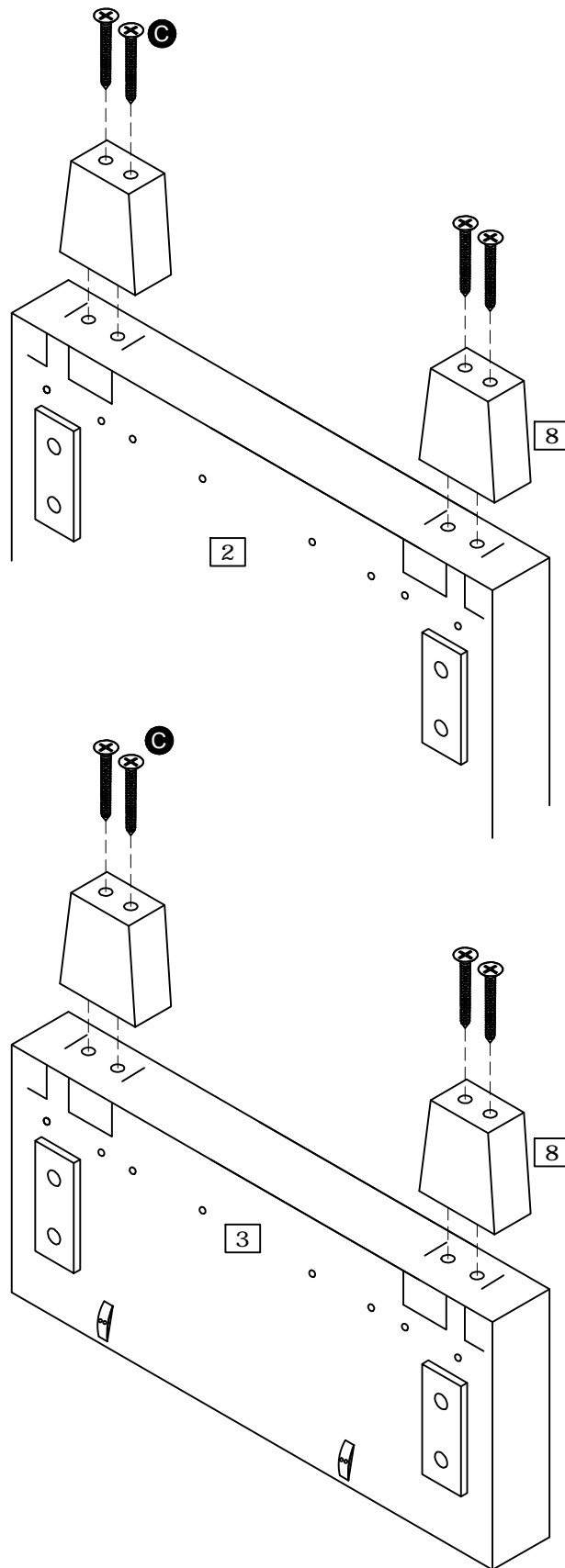
Step 1

Attaching feet

a: Attach 2 x feet **8** to the underside of the headboard **2** using screws **C** as shown.

Repeat on the underside of the footboard **3**.

Note: The position is outlined.



Assembly Instructions

Step 2

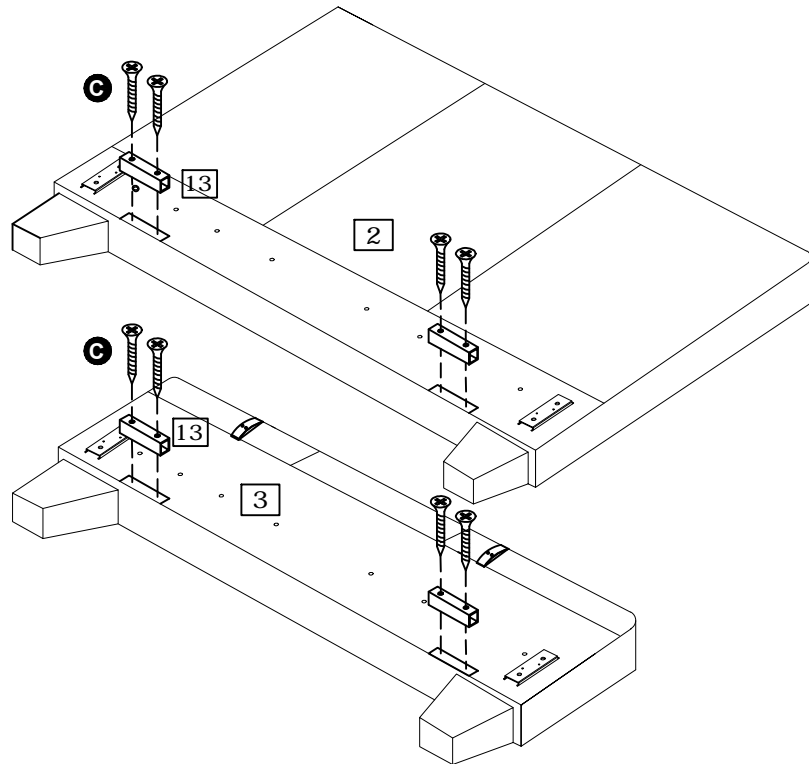
Preparing footboard and headboard

Carefully place headboard **2** and footboard **3** flat on the floor with the fixing holes facing up.

a: Attach base supports **13** to the headboard **2** and footboard **3** using screws **C** as shown.

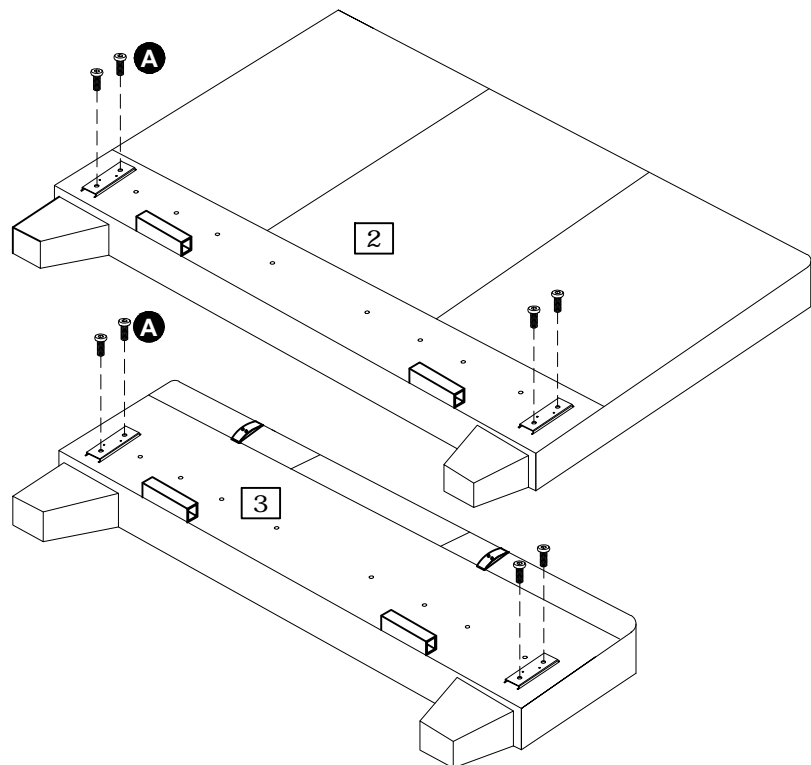
Note: The positions should be outlined.

a:



b:

b: Loosely fit bolts **A** into headboard **2** and footboard **3** as shown.



Assembly Instructions

Step 3

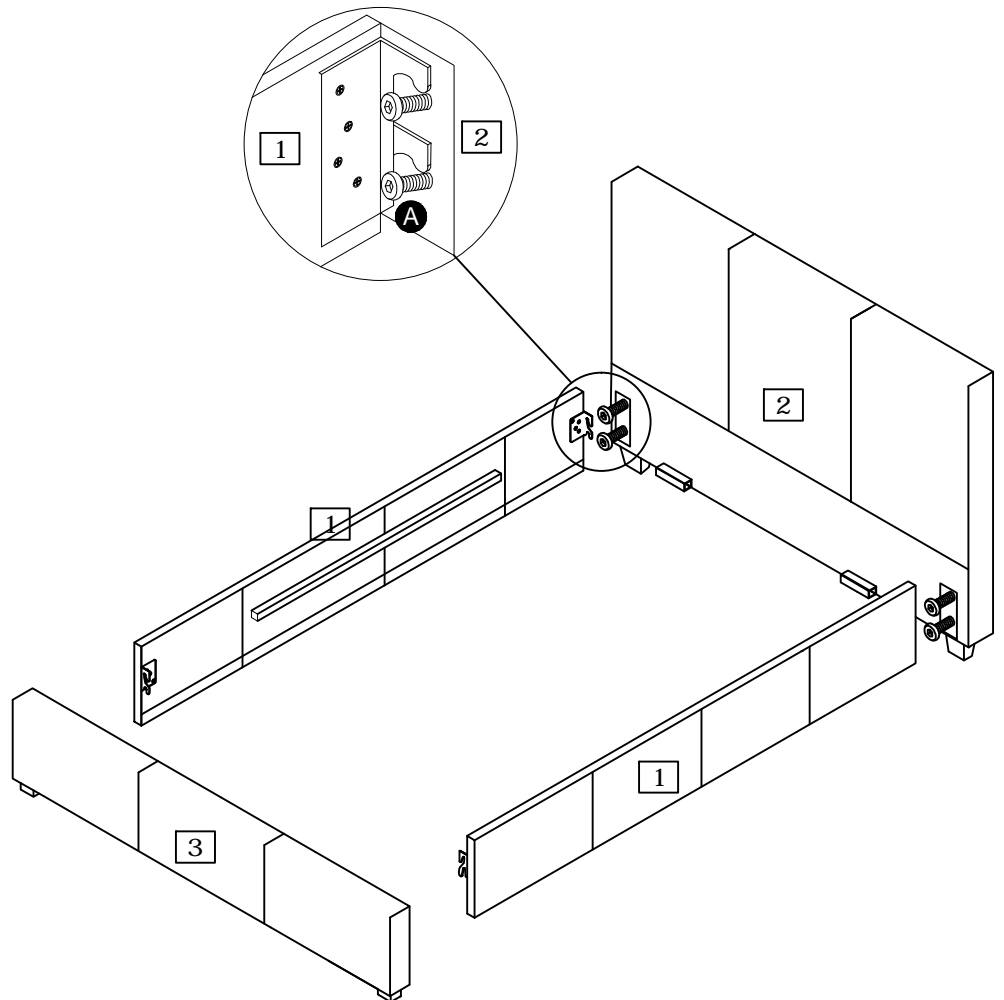
Assembling headboard and footboard

With help, raise the headboard **2** into the standing position.

Hang the metal brackets on the end of the side rails **1**, over the bolts in the headboard **2**.

Note: Do not fully tighten bolts **A** at this stage.
Finger tighten only.

Repeat to assemble footboard **3**.



Assembly Instructions

Step 4

Preparing base

a: Attach the wooden support rails **14** in between side rails **1** using screws **B**.

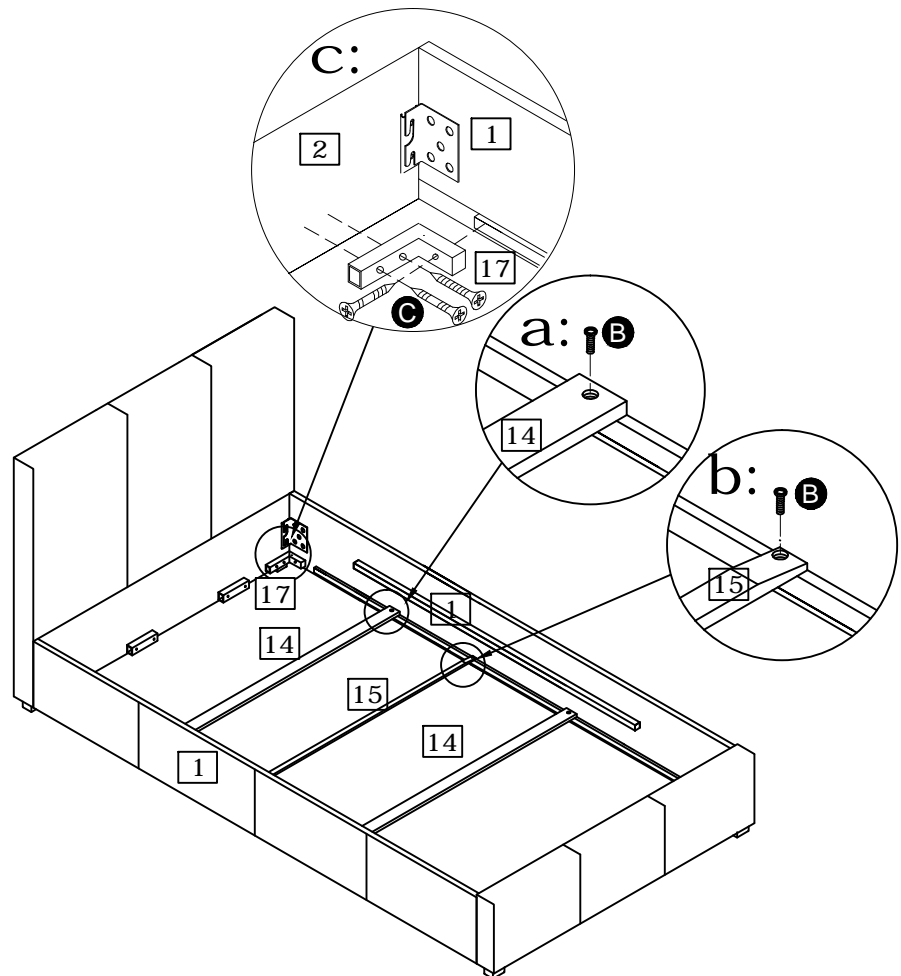
b: Attach the metal support rail **15** in between side rails **1** using screws **B**.

Finally, fully tighten all fixing points from previous step 3.

c: Assemble corner brackets **17** into each corner using screws **C**.

Note: Ensure these are at the same height as all other metal support bars.

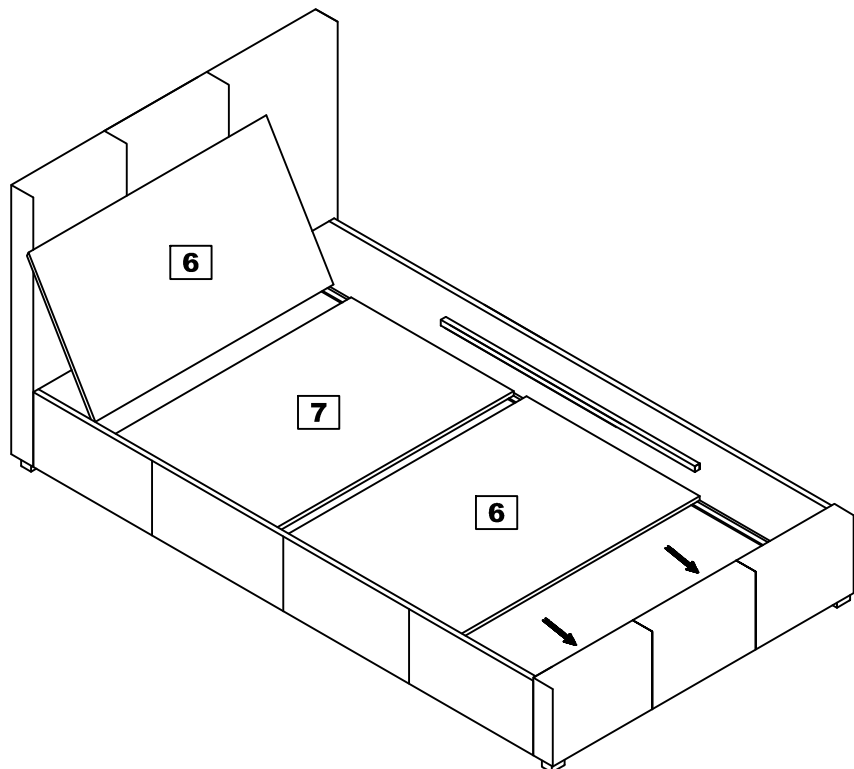
The positions should be outlined.



Step 5

Completing base

With help, carefully slide base panels **6** and **7** inside the bed frame as shown.



Assembly Instructions

Step 6

At this stage you can choose to have the ottoman frame lifting from either side as shown.

Attaching folding hinges

Right opening

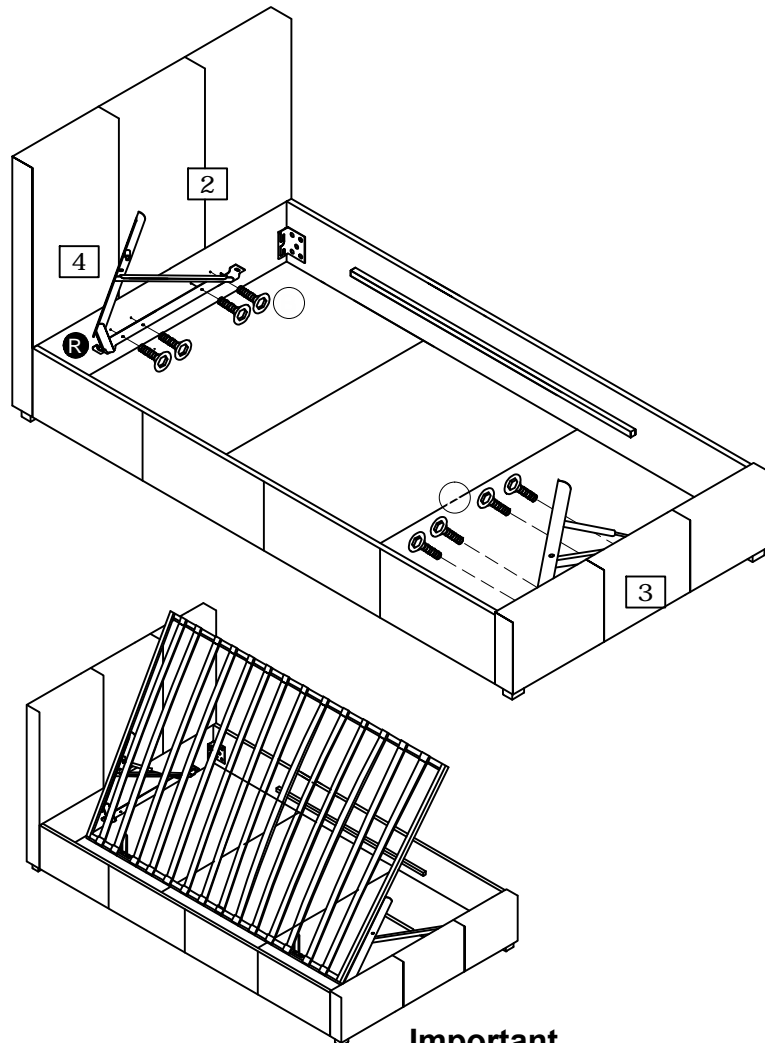
To lift from the right side, assemble hinges 4 in the location shown.

Secure the hinges 4 to the headboard 2 and footboard 3 using bolts B as shown.

Note: Ensure the hinges are fitted the correct way around as shown.

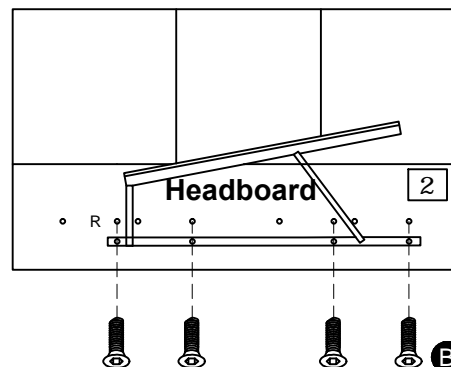
Note: The correct hole positions should be identified 'R' for right side opening and 'L' for left side opening, on both the headboard 2 and footboard 3. The metal folding hinges 4 should also be labelled with corresponding 'R' and 'L' labels. Align the 'R' or 'L' markings to ensure the correct assembly.

Opening from right side

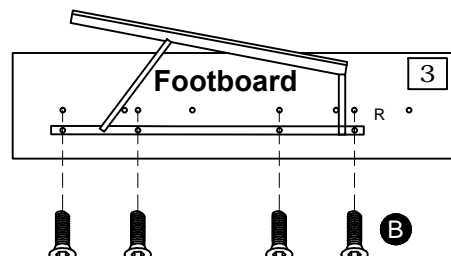


Important

Headboard fixing holes position



Footboard fixing holes position



Assembly Instructions

Step 7

Attaching hinges

Left opening

To lift from the left side, assemble hinges 4 in the location shown.

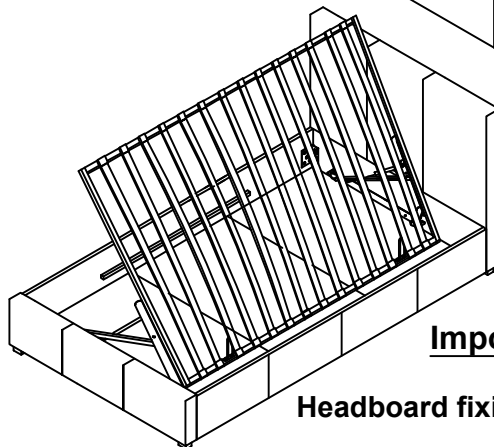
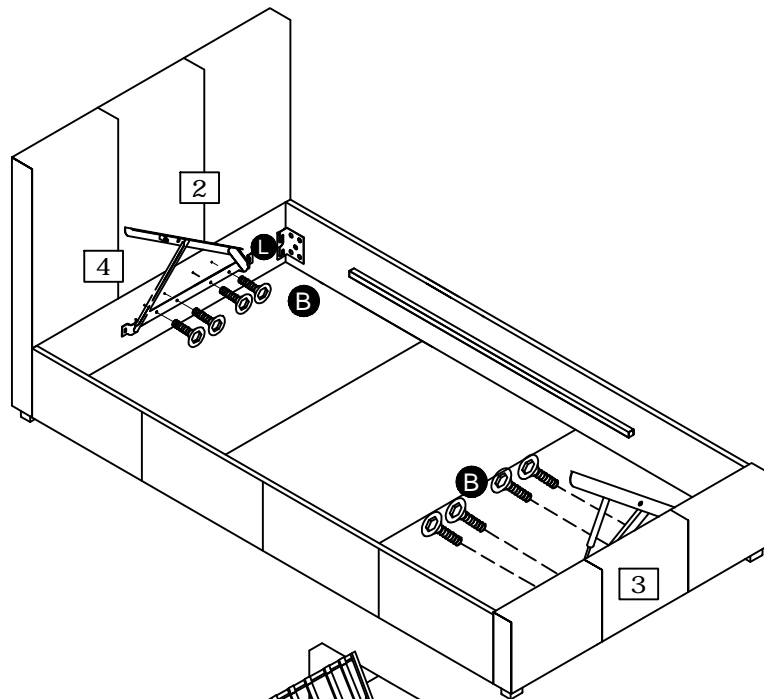
Attaching folding hinges

Secure the hinges 4 to headboard 2 and footboard 2 using bolts B as shown.

Note: Ensure the hinges are fitted the correct way around as shown.

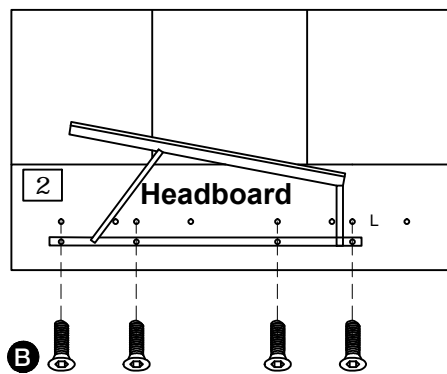
Note: The correct hole positions should be identified 'R' for right side opening and 'L' for left side opening, on both the headboard 2 and footboard 3. The metal folding hinges 4 should also be labelled with corresponding 'R' and 'L' markings. Align the 'R' or 'L' markings to ensure the correct assembly.

Opening from left side

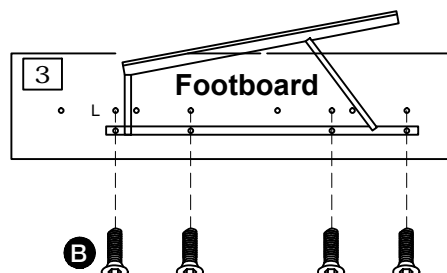


Important

Headboard fixing holes position



Footboard fixing holes position



Assembly Instructions

Step 8

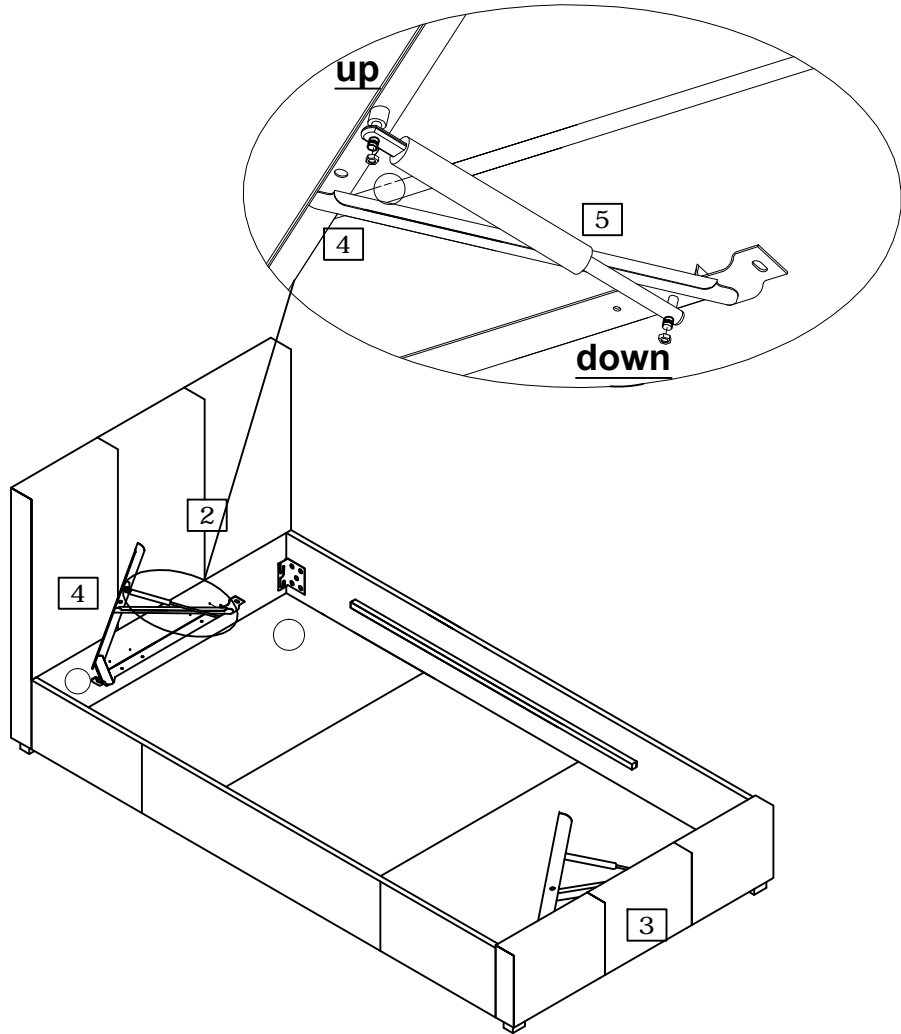
Assembling pistons

Locate pistons **5** onto hinges **4** as shown.

Note: Ensure the "smaller" tube is facing down as shown.

Secure the pistons using nuts **D** at both ends.

Note: Use spanner **H** to tighten nut **D**.



Assembly Instructions

Step 9

Assembling ottoman frame

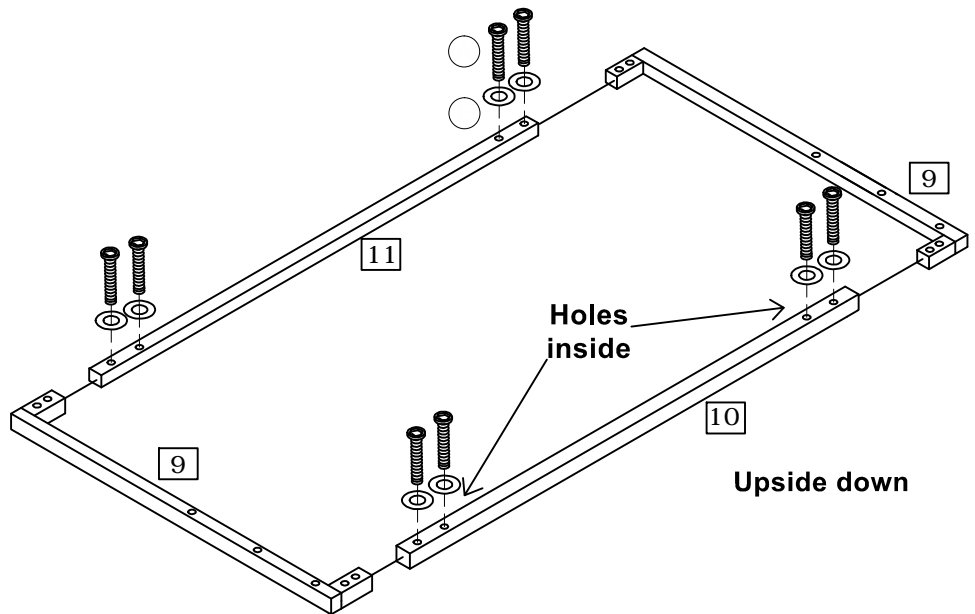
Assemble ottoman frame components **9**, **10** and **11** together as shown.

Note: Ensure the extra holes in side frame **10** are correctly located on the inside of the frame after assembly.

Note: Secure the assembly using fixings **A** and **E** as shown.

Important

Do not fully tighten screws **A** at this stage. Finger tighten only.



Assembly Instructions

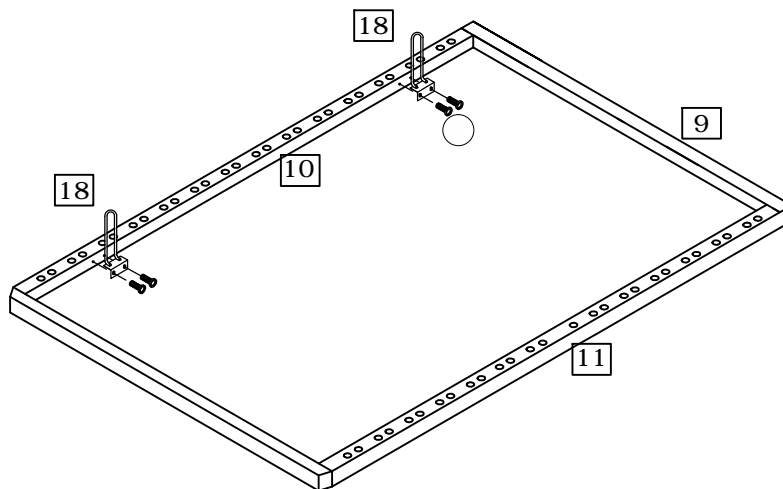
Step 10

Attaching mattress support brackets

With help, carefully turn the frame over.

Note: The frame is heavy, lift with care.

Assemble mattress support brackets **18** to side frame **10** using screws **B**.



Step 11

Locating ottoman frame

Carefully open both hinges **4** to the raised position.

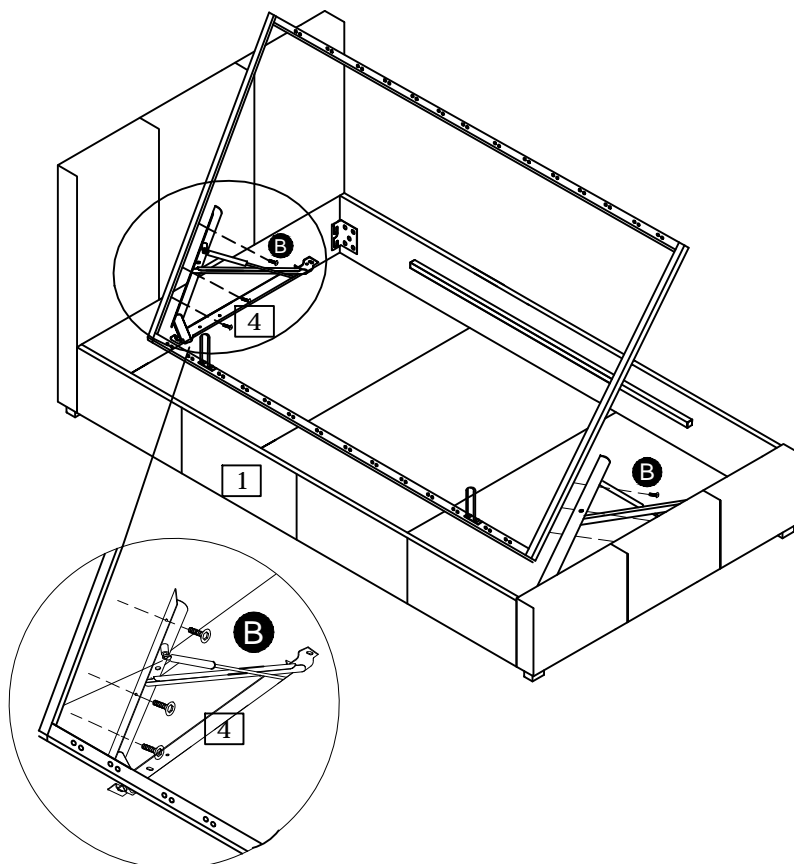
Warning: Do not put your hands inside the hinges during this operation.

With help, lift the ottoman frame into position onto hinges **4**.

Note: The frame is heavy, lift with care.

Secure on both sides using screws **B**.

Once assembly is complete, fully tighten all screws around the ottoman frame.

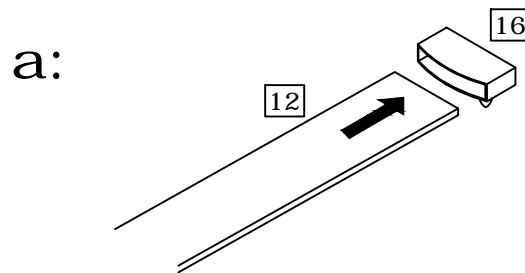


Assembly Instructions

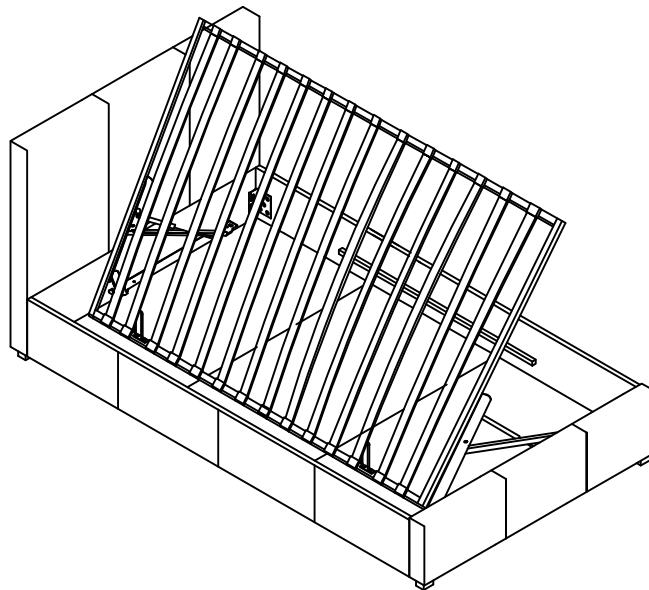
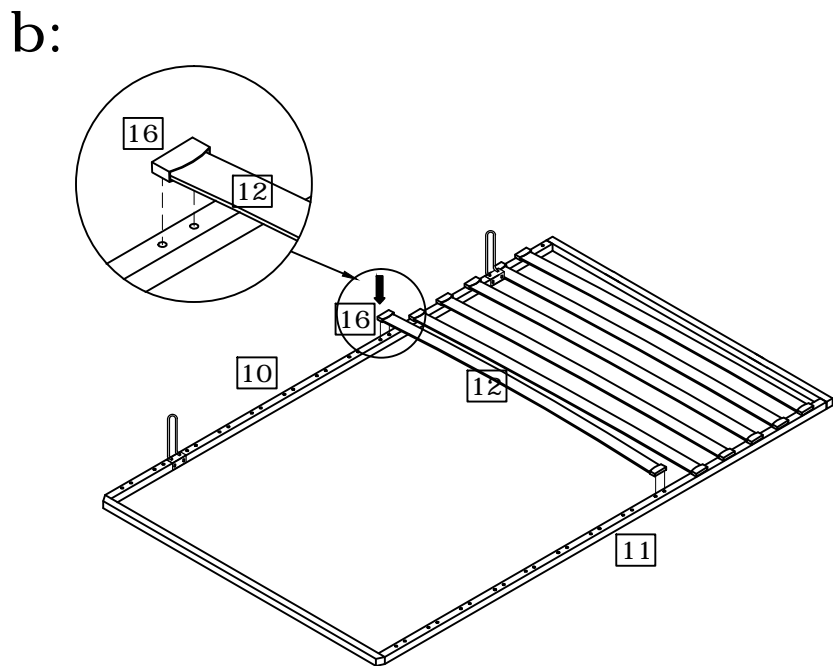
Step 12

Attaching slats

a: Assemble slat caps **16** onto each end of bentwood slats **12**.



b: Fit the bentwood slats **12** into the ottoman side frames **10** and **11**, by locating slat caps **16** into the holes.



Assembly is complete.

If you need help or have damaged or missing parts, call the **Customer Helpline: 0345 6400 800**
Home Retail Group, 489-499 Avebury Boulevard, Saxon Gate West, Central Milton Keynes, MK9 2NW