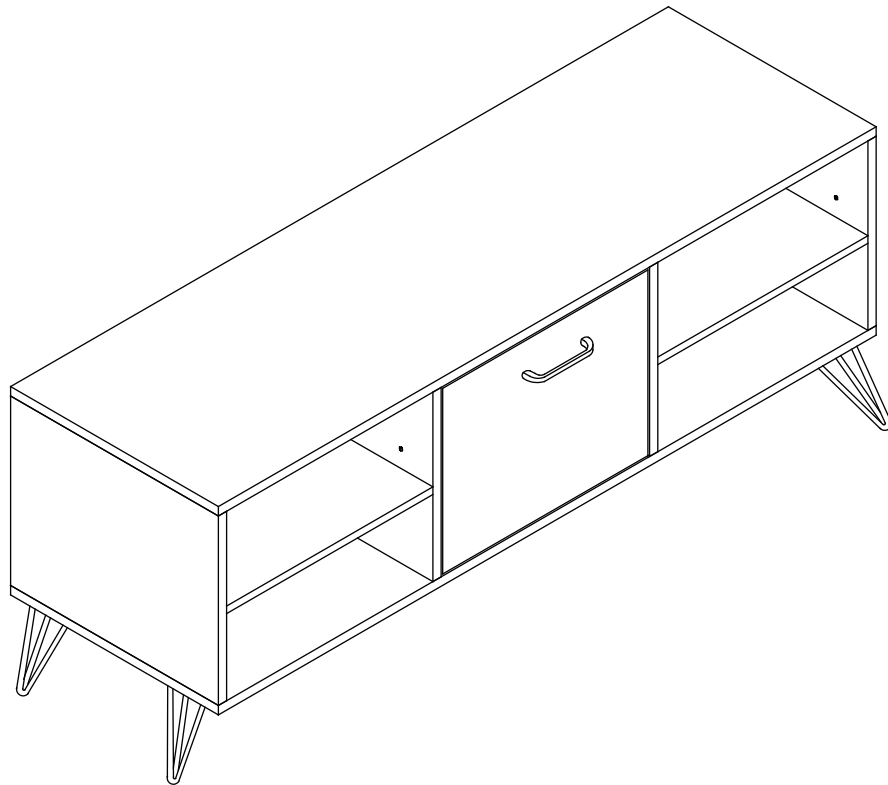


# Ivy TV Stand

Assembly Instructions - Please keep for future reference

464/3597

hygena



## Dimensions

Width - 120cm  
Depth - 38cm  
Height - 52.5cm

**Important - Please read these instructions fully before starting assembly**

If you need help or have damaged or missing parts, call the **Customer Helpline: 0345 6400 800**

Issue 1-29-10-15



## Safety and Care Advice

**Important – Please read these instructions fully before starting assembly**

Check you have all the components and tools listed on pages 2 and 3.

Remove all fittings from the plastic bags and separate them into their groups.

Keep children and animals away from the work area, small parts could choke if swallowed. Make sure you have enough space to layout the parts before starting.

Assemble the item as close to its final position (in the same room) as possible.

Assemble on a soft level surface to avoid damaging the unit or your floor.

Assembly requires 2 people.

Do not stand or put excessive weight on the product, this could cause damage.



We do not recommend the use of power drill/drivers **for inserting screws**,

as this could damage the unit. Only use hand screwdrivers and Allen keys.

Dispose of all packaging carefully and responsibly.

### Care and maintenance

Only clean using a damp cloth and mild detergent, do not use bleach or abrasive cleaners.

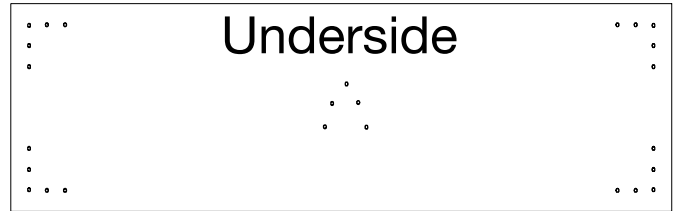
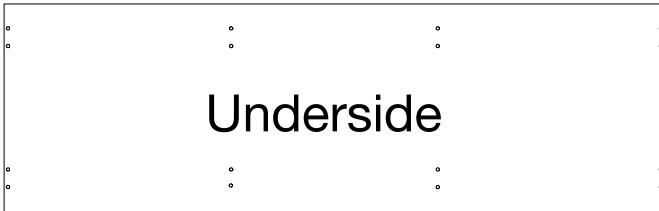
From time to time check that there are no loose screws on this unit.

This product should not be discarded with household waste. Take to your local authority waste disposal centre.

# Components - Parts

If you have damaged or missing components, call the **Customer Helpline: 0345 6400 800**

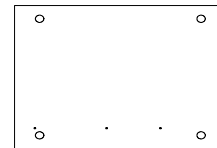
Please check you have all the parts listed below



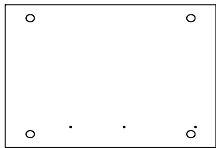
**1** Top panel  
(120x37.7x1.5cm)



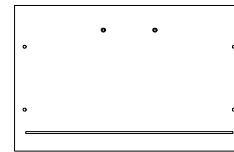
**2** Base panel  
(120x37.7x1.5cm)



**3** Side panel x 2  
(30x37.7x1.5cm)



**4** Divider (left) x 1  
(30x37.7x1.5cm)



**5** Divider (right) x 1  
(30x37.7x1.5cm)



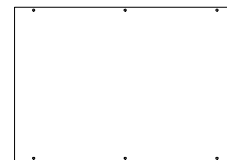
**6** Drawer front x 1  
(35.5x29.4x1.5cm)



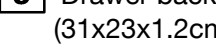
**7** Drawer side panel (left) x 2  
(35x21.5x1.2cm)



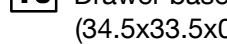
**8** Drawer side panel (right) x 2  
(35x21.5x1.2cm)



**9** Drawer back  
(31x23x1.2cm)



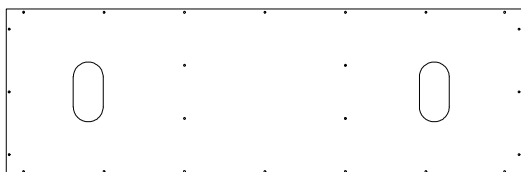
**10** Drawer base  
(34.5x33.5x0.5cm)



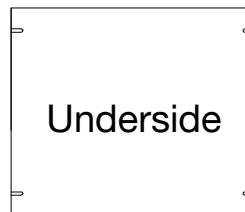
# Components - Parts

If you have damaged or missing components,  
call the **Customer Helpline: 0345 6400 800**

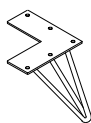
Please check you have all the parts listed below



**11** Back panel  
(119.8x32.8x0.3cm)



**12** Shelf x 2  
(38.7x37.7x1.5cm)



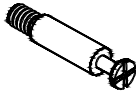



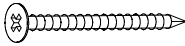
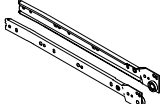



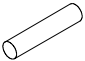
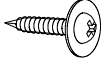

**13** Legs x 5

# Components - Fittings

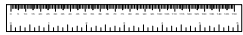
If you have damaged or missing components, call the **Customer Helpline: 0345 6400 800**

Please check you have all the fittings listed below

**Note:** The quantities below are the correct amount to complete the assembly. In some cases more fittings may be supplied than are required.

|   |   |  |
|---|---|--|
| <p><b>A</b></p>  <p>Metal dowel x 20</p>       | <p><b>B</b></p>  <p>Large locking nut x 16</p> | <p><b>C</b></p>  <p>Small locking nut x 4</p> |
| <p><b>D</b></p>  <p>Wooden dowel x 16</p>      | <p><b>E</b></p>  <p>4 x 30mm Screw x 4</p>     | <p><b>F</b></p>  <p>Drawer runners 1 set</p>  |
| <p><b>G</b></p>  <p>3.5 x 12mm Screw x 12</p>  | <p><b>H</b></p>  <p>Handle x 1</p>             | <p><b>J</b></p>  <p>M4 x 16mm Screw x 2</p>   |
| <p><b>K</b></p>  <p>Shelf support pin x 8</p> | <p><b>L</b></p>  <p>3 x 12mm Screw x 24</p>   | <p><b>M</b></p>  <p>M6 x 12mm Screw x 25</p> |

## Tools required

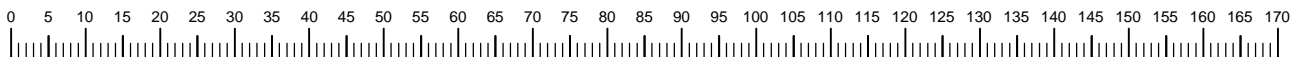


Ruler/tape  
measure



Phillips screwdriver  
(Not supplied)

**Ruler** - Use this ruler to help correctly identify the screws



# Assembly Instructions

## Step 1

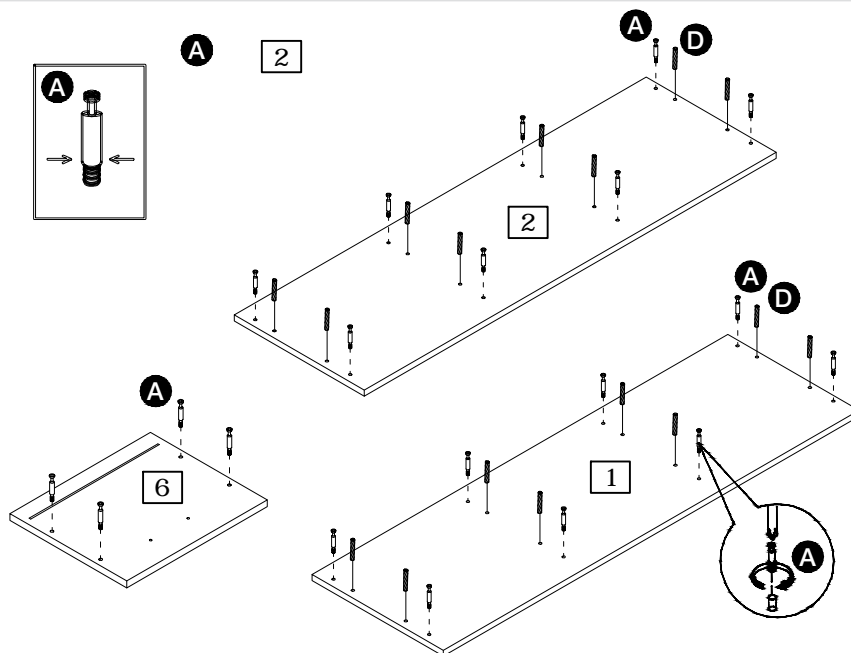
### Preparing panels

Place top panel **1**, base panel **2** and drawer front **6** flat on the floor with the fixing holes facing up.

Screw metal dowels **A** into each panel as shown.

**Note:** Screw metal dowels as far as shown.

Insert wood dowels **D** into top panel **1** and base panel **2** as shown.



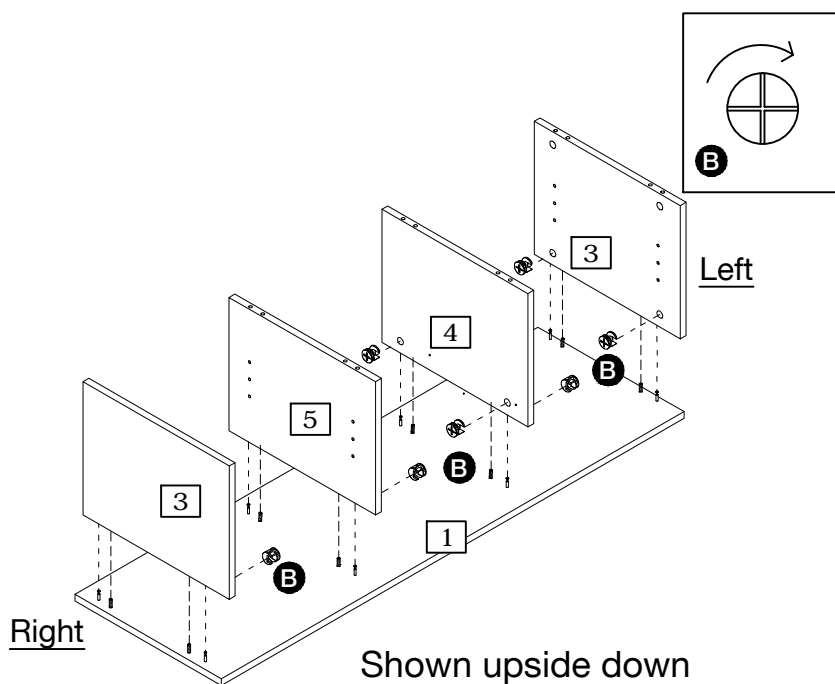
## Step 2

### Assembling panels

Carefully locate left and right side panels **3**, left divider **4** and right divider **5** onto top panel **1** in the locations shown.

Insert large locking nuts **B** into side panels **3** and dividers **4** and **5**.

Turn locking nuts clockwise to secure.



# Assembly Instructions

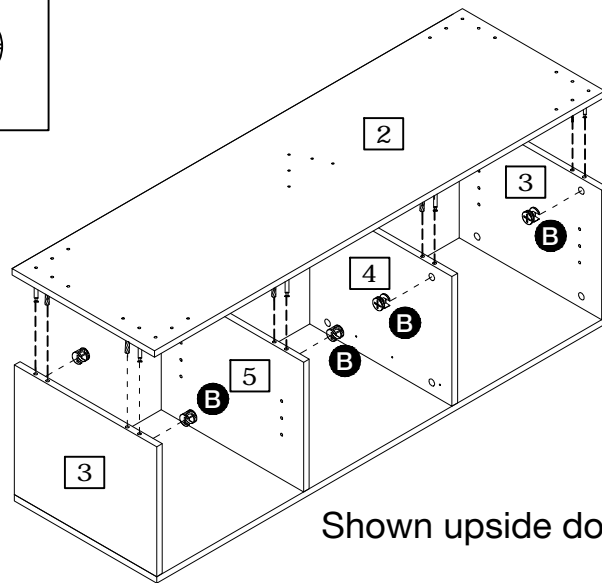
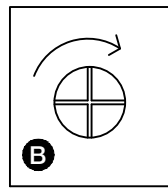
## Step 3

### Assembling base panel

With help, carefully locate base panel **2** into position as shown.

Insert large locking nuts **B** into side panels **3** and dividers **4** and **5**.

Turn locking nuts clockwise to secure.

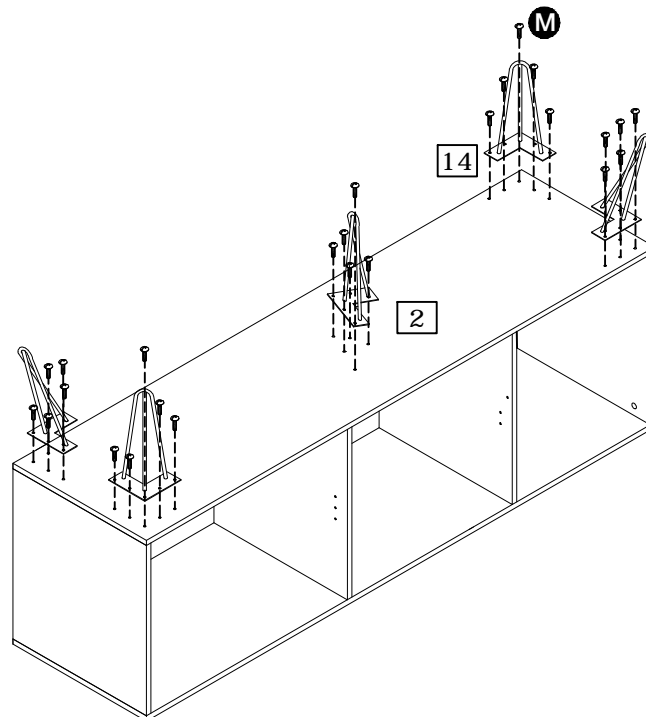


Shown upside down

## Step 4

### Assembling legs

Assemble legs **14** to base panel **2** using screws **M**.



# Assembly Instructions

## Step 5

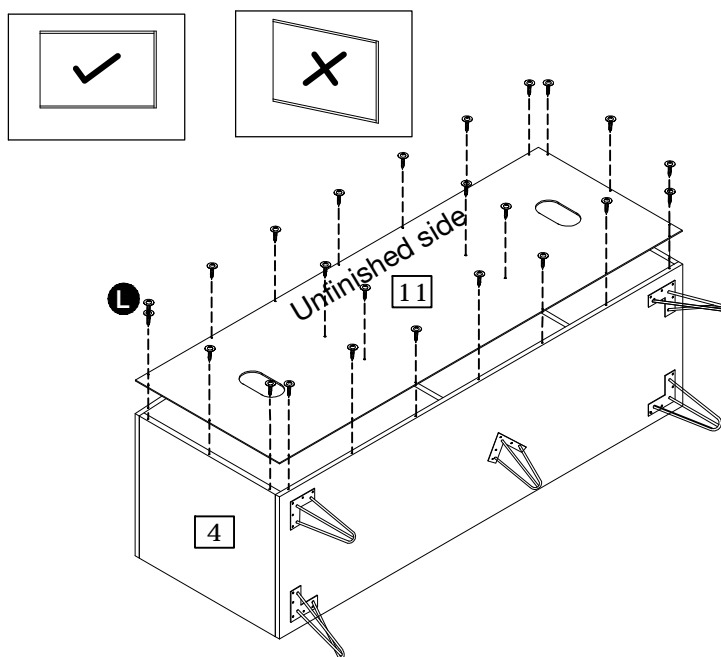
### Assembling back panel

With help, carefully turn the unit onto it's front.

**Note:** Ensure the unit is straight and square.

Place back panel **11** into the recess around the back of the unit. Secure using screws **L**.

**Note:** Ensure the un-finished side of back panel **11** is facing out as shown.



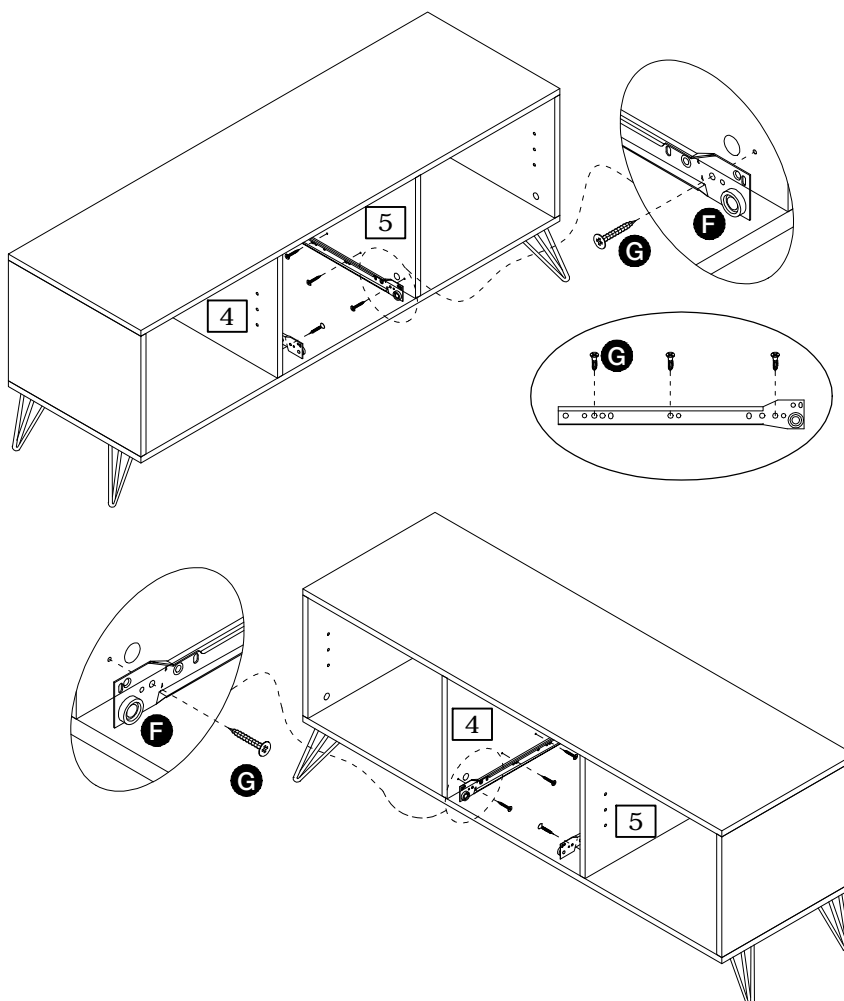
## Step 6

### Assembling drawer runners

With help, stand the unit upright onto it's legs.

Attach one half of drawer runners **F** onto dividers **4** and **5** as shown. Secure with screws **G**.

**Note:** The correct fixing hole positions are shown in the enlarged drawings.



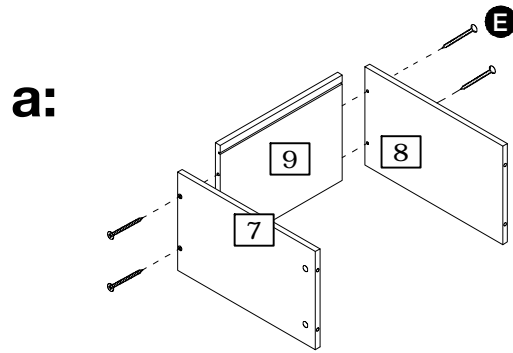


# Assembly Instructions

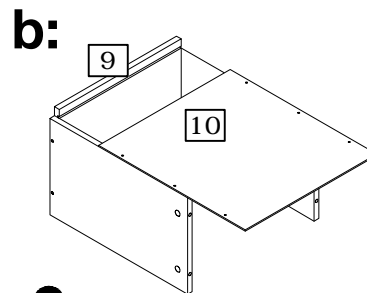
## Step 7

### Assembling drawer

**a:** Locate drawer back **9** in between drawer side panels **7** and **8**. Secure using screws **E**.

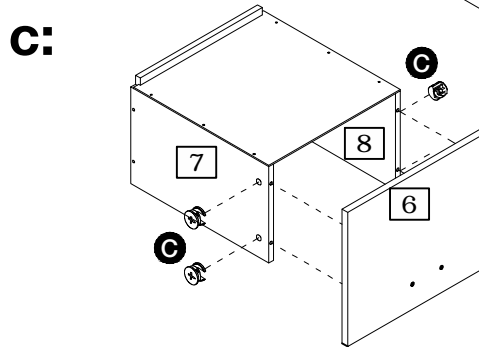


**b:** Place drawer base **10** into the grooves in back panel **9**.



**c:** Locate drawer front **6** onto the drawer body.

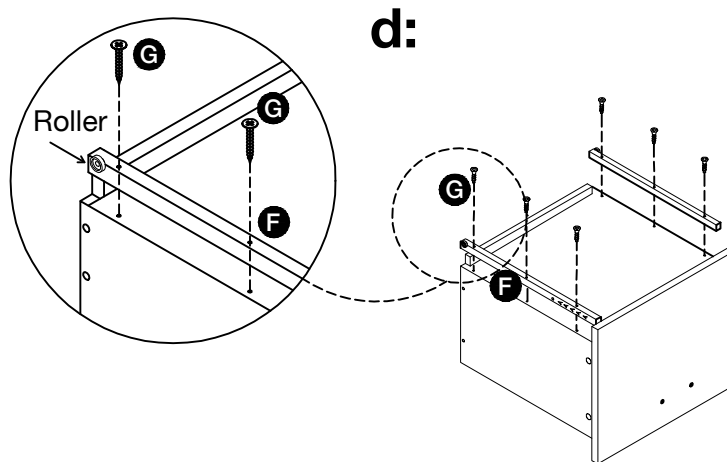
Insert small locking nuts **C** into drawer side **7** and **8**.



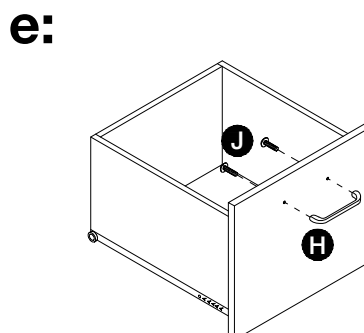
Turn locking nuts clockwise to secure.

**d:** Locate the other half of drawer runners **F** onto each side of drawer with the rollers at the back.

Secure using screws **G**.



**e:** Attach drawer handle **H** to drawer front **6** using screws **J**.

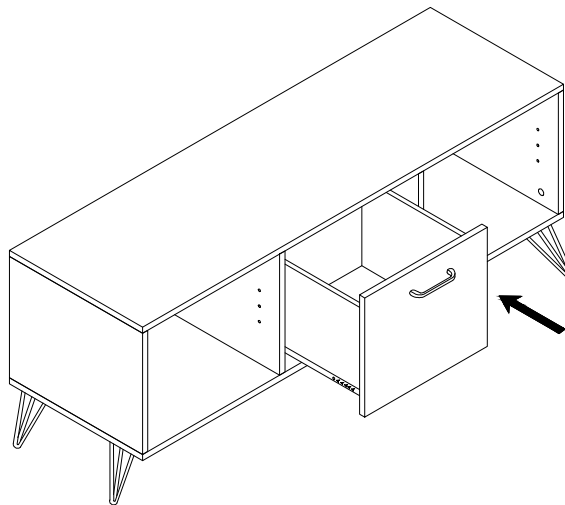


# Assembly Instructions

## Step 8

### Locating drawer

Carefully slide drawer into position as shown.

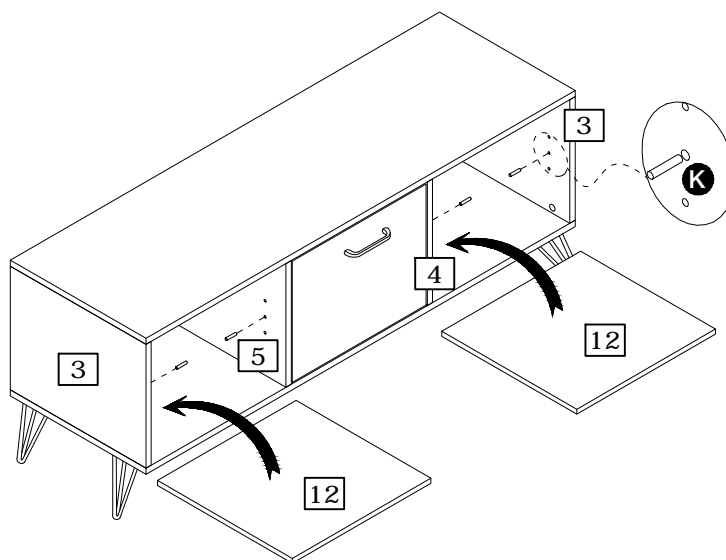


## Step 9

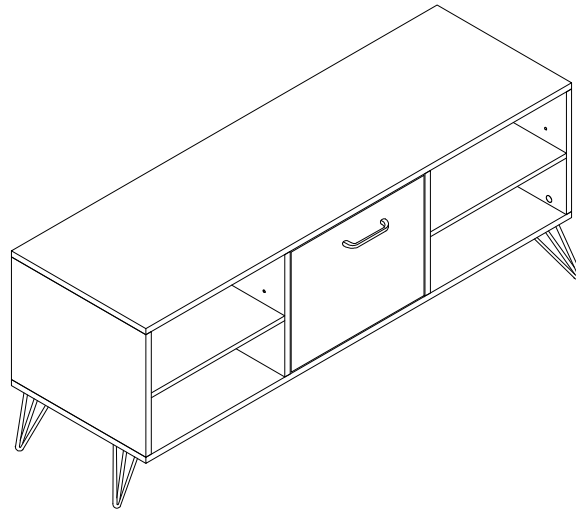
### Locating shelves

Insert shelf support pins **K** into side panels **3** and dividers **4** and **5** at the desired height.

Carefully locate shelves **12** onto the support pins.



# Assembly Instructions



**Assembly is complete.**

If you need help or have damaged or missing parts, call the **Customer Helpline: 0345 6400 800**  
Home Retail Group, 489-499 Avebury Boulevard, Saxon Gate West, Central Milton Keynes, MK9 2NW