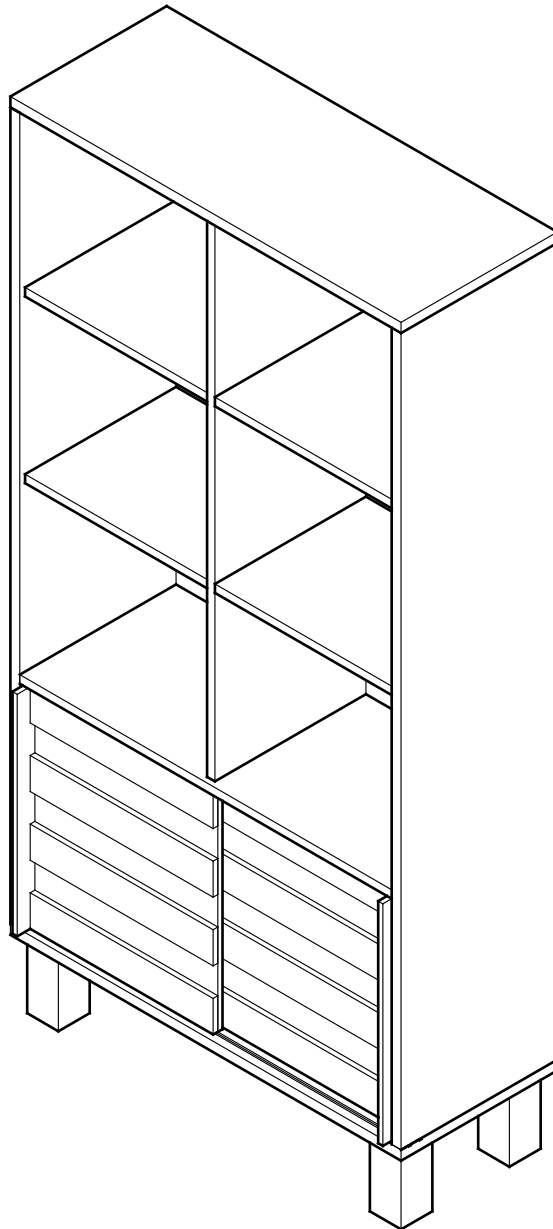


Hygena Genoa Slatted Display Unit

Assembly Instructions - Please keep for future reference

464/2718D



Dimensions

Width - 75cm

Depth - 31.4cm

Height - 152.2cm

Important – Please read these instructions fully before starting assembly

If you need help or have damaged or missing parts, call the Customer Helpline: 03456 400800



Safety and Care Advice

Important – Please read these instructions fully before starting assembly

- Check you have all the components and tools listed on pages 3 & 4.
- Remove all fittings from the plastic bags and separate them into their groups.
- Keep children and animals away from the work area, small parts could choke if swallowed.
- Make sure you have enough space to layout the parts before starting.

- Do not stand or put weight on the product, this could cause damage.
- Assemble the item as close to its final position (in the same room) as possible.
- Assemble on a soft level surface to avoid damaging the unit or your floor.
- Parts of the assembly will be easier with 2 people.



- We do not recommend the use of power drill/drivers for inserting screws, as this could damage the unit. Only use hand screwdrivers.
- Dispose of all packaging carefully and responsibly.

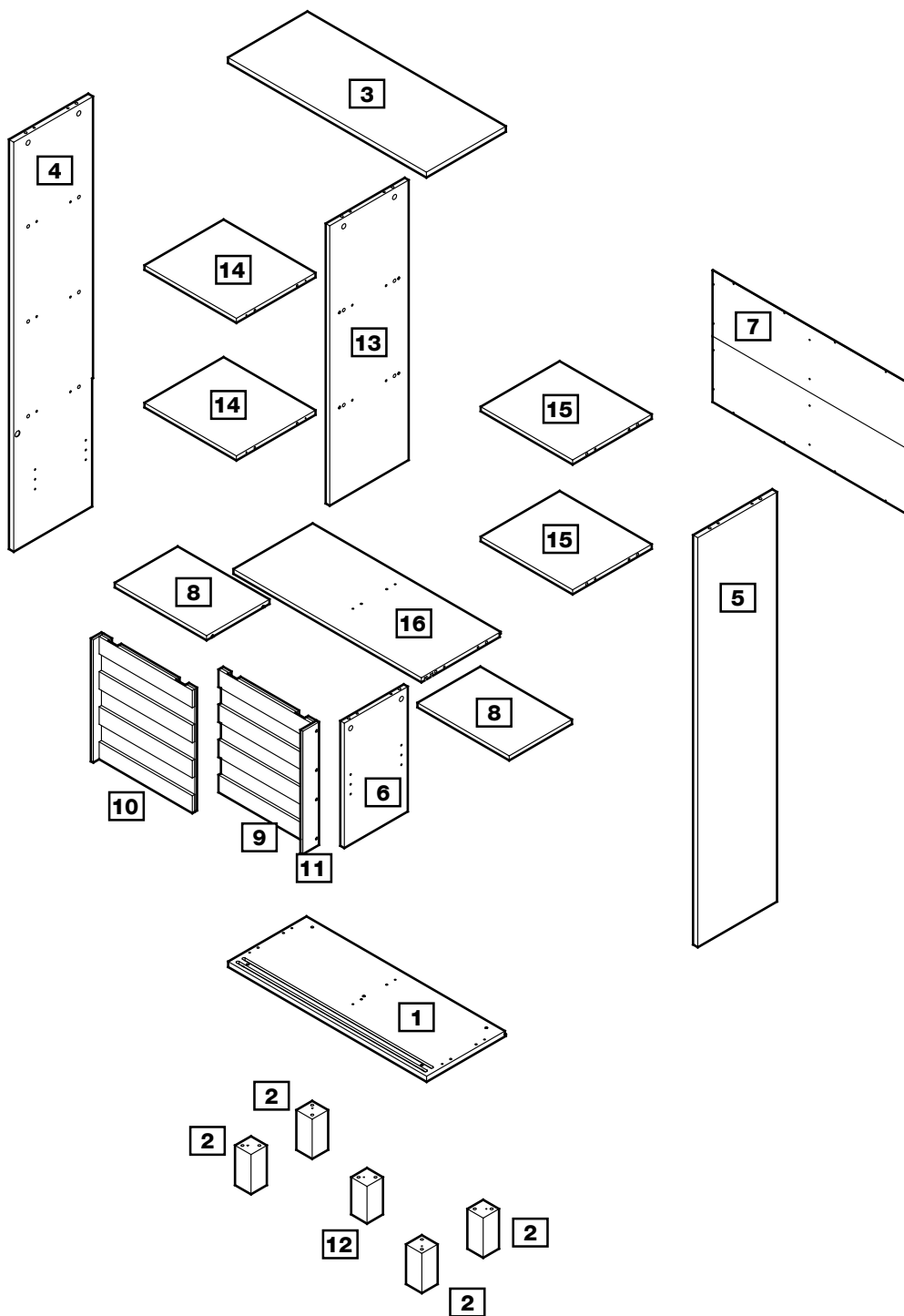
Care and maintenance

- Only clean using a damp cloth and mild detergent, do not use bleach or abrasive cleaners.
- From time to time check that there are no loose screws on this unit.
- This product should not be discarded with household waste. Take to your local authority waste disposal centre.

Note: if require the next page can be cut out and used as reference throughout the assembly. Keep this page with these instructions for future reference.

Components - Panels

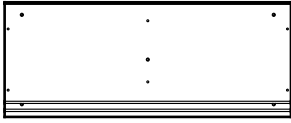
Please check you have all the panels listed below



- 1** Bottom panel
(750 x 300 mm)
- 2** Leg x 4
(60 x 130 mm)
- 3** Top panel
(750 x 300mm)
- 4** Left side panel
(1340 x 300mm)
- 5** Right side panel
(1340 x 300mm)
- 6** Lower divider
(409 x 240mm)
- 7** Rear panel
(735 x 430mm)
- 8** Adjustable shelf x 2
(347 x 238mm)
- 9** Right side door
(351 x 402mm)
- 10** Left side door
(360 x 402mm)
- 11** Right side door rail
(402 x 61mm)
- 12** Center leg
(60 x 122mm)
- 13** Upper divider
(916 x 299mm)
- 14** Left fixed shelf x 2
(348 x 299mm)
- 15** Right fixed shelf x 2
(348 x 299mm)
- 16** Lower fixed shelf
(711 x 300mm)

Components - Panels

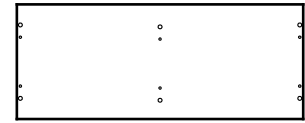
Please check you have all the panels listed below



1 Bottom panel
(750 x 300 mm)



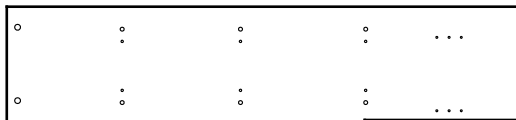
2 Leg x 4
(60 x 130 mm)



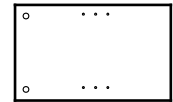
3 Top panel
(750 x 300mm)



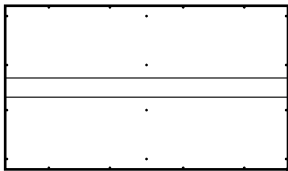
4 Left side panel
(1340 x 300mm)



5 Right side panel
(1340 x 300mm)



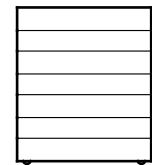
6 Lower divider
(409 x 240mm)



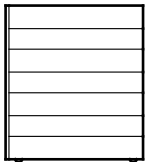
7 Rear panel
(735 x 430mm)



8 Adjustable shelf x 2
(347 x 238mm)



9 Right side door
(351 x 402mm)



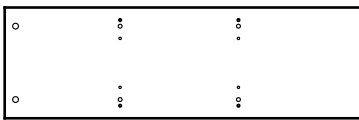
10 Left side door
(360 x 402mm)



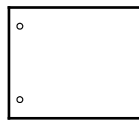
11 Right side door rail
(402 x 61mm)



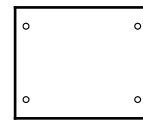
12 Center leg
(60 x 122mm)



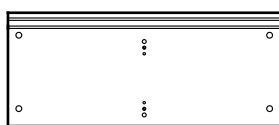
13 Upper divider
(916 x 299mm)



14 Left fixed shelf x 2
(348 x 299mm)



15 Right fixed shelf x 2
(348 x 299mm)



16 Lower fixed shelf
(711 x 300mm)


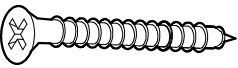
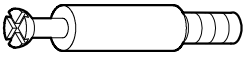
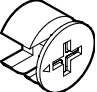
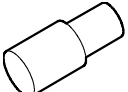
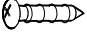
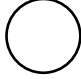
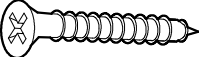

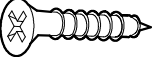
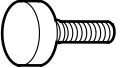
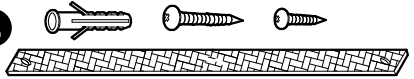


Components - Fittings

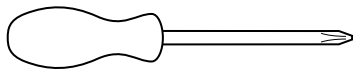
If you have damaged or missing components, call the **Customer Helpline: 03456 400800**

Please check you have all the fittings listed below

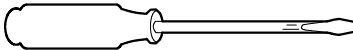
Note: The quantities below are the correct amount to complete the assembly. In some cases more fittings may be supplied than are required.

<p>A </p> <p>Large wood dowel x 10</p>	<p>B </p> <p>50mm Screw x 5</p>	<p>C </p> <p>Metal dowel x 24</p>
<p>D </p> <p>Metal cam x 24</p>	<p>E </p> <p>Shelf pin x 8</p>	<p>F </p> <p>14 mm Screw x 20</p>
<p>G </p> <p>Cover pad x 28</p>	<p>H </p> <p>40mm Screw x 12</p>	<p>I </p> <p>Small wood dowel x 36</p>
<p>J </p> <p>25mm Screw x 4</p>	<p>K </p> <p>Adjustable foot</p>	<p>L </p> <p>Webbing and screw x 2</p>

Tools required

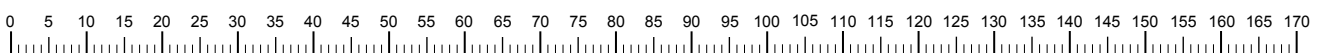


Phillips screwdriver
(medium & small)



Flatblade screwdriver

Ruler - Use this ruler to help correctly identify the screws



Assembly Instructions

Step 1

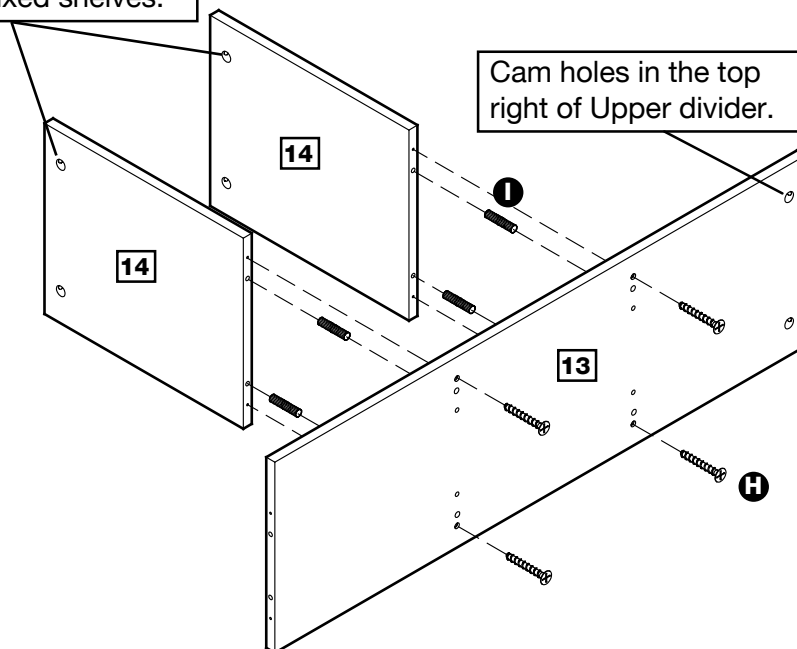
Lay Upper divider **13** and Left fixed shelves **14** on their long edges on a flat soft surface as the direction shown.

Push Small wood dowels **I** into indicated holes in the shelves.

Push Upper divider **13** onto the wood dowels in Left fixed shelves and fasten using 40mm Screws **H**.

Cam holes underneath the Left fixed shelves.

Cam holes in the top right of Upper divider.

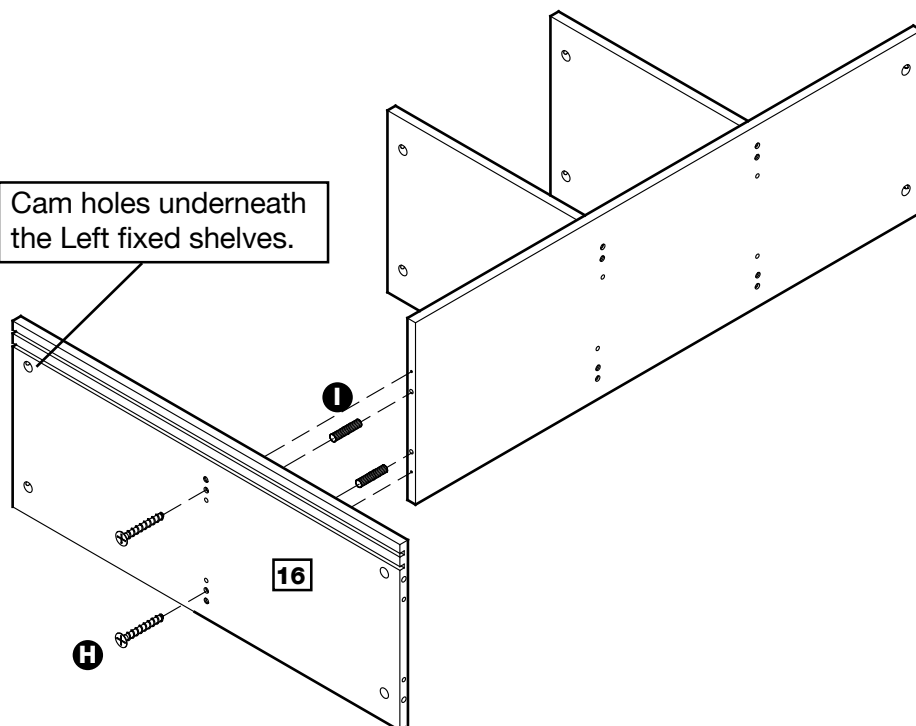


Step 2

Push Wood dowels **I** into ends of Upper divider **13**.

Push Lower fixed shelf **16** onto the wood dowels and fasten using 40mm Screws **H**.

Cam holes underneath the Left fixed shelves.



Assembly Instructions

Step 3

Screw 6 Metal dowels **C** into the threaded holes in Upper divider and Lower fixed shelf.

Step 4

Insert Small wood dowels **I** into the center holes in Upper divider.

Firmly push Right fixed shelves **15** on to the Upper divider **13**, ensuring the Metal dowels **C** and wood dowels **I** enter corresponding holes.

Step 5

Insert the 4 Metal Cams **D** into the 4 holes on the Panels **15** so that they are flush.

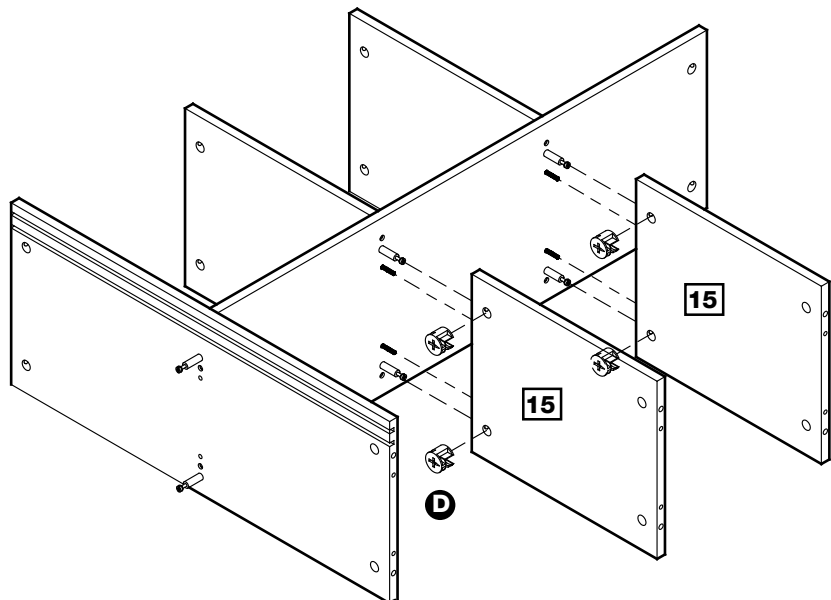
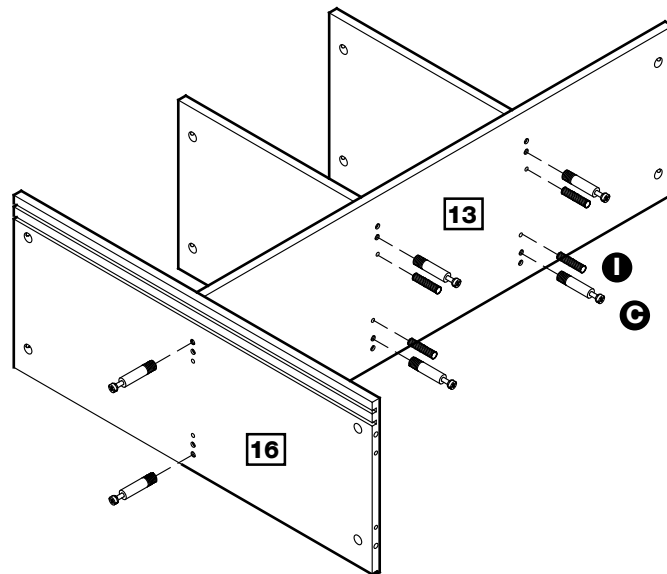
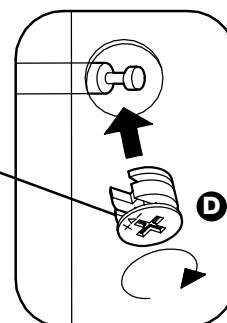


Note: Longer leg of the cross on the Metal

Cams must face towards end of panel (as shown).

Then, using a Philips Screwdriver, screw all Metal Cams **D** clockwise until they are 'hand tight'.

Note: Longer leg of the cross on the Metal Cams must face towards end of panel.

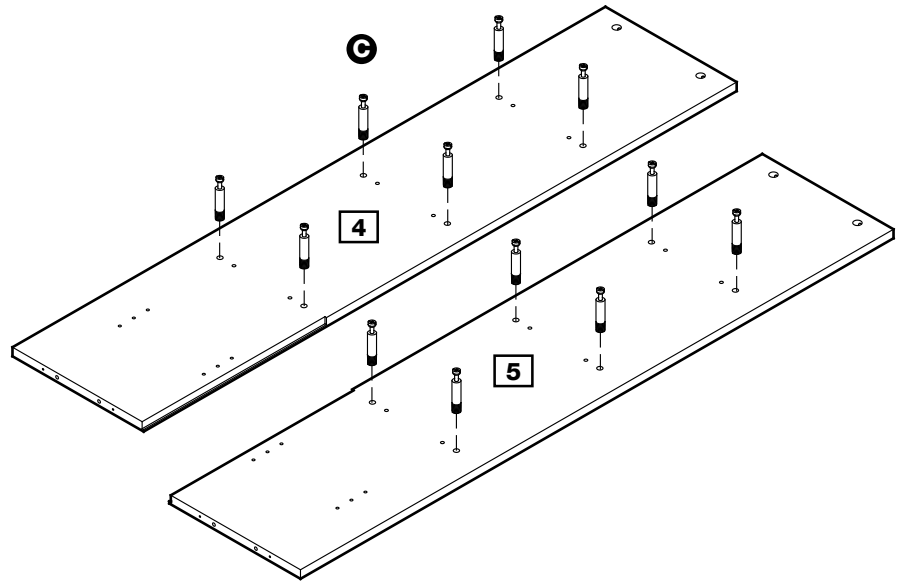


Assembly Instructions

Step 6

Screw 6 Metal dowels **C** into the threaded holes in Left side panel **4**.

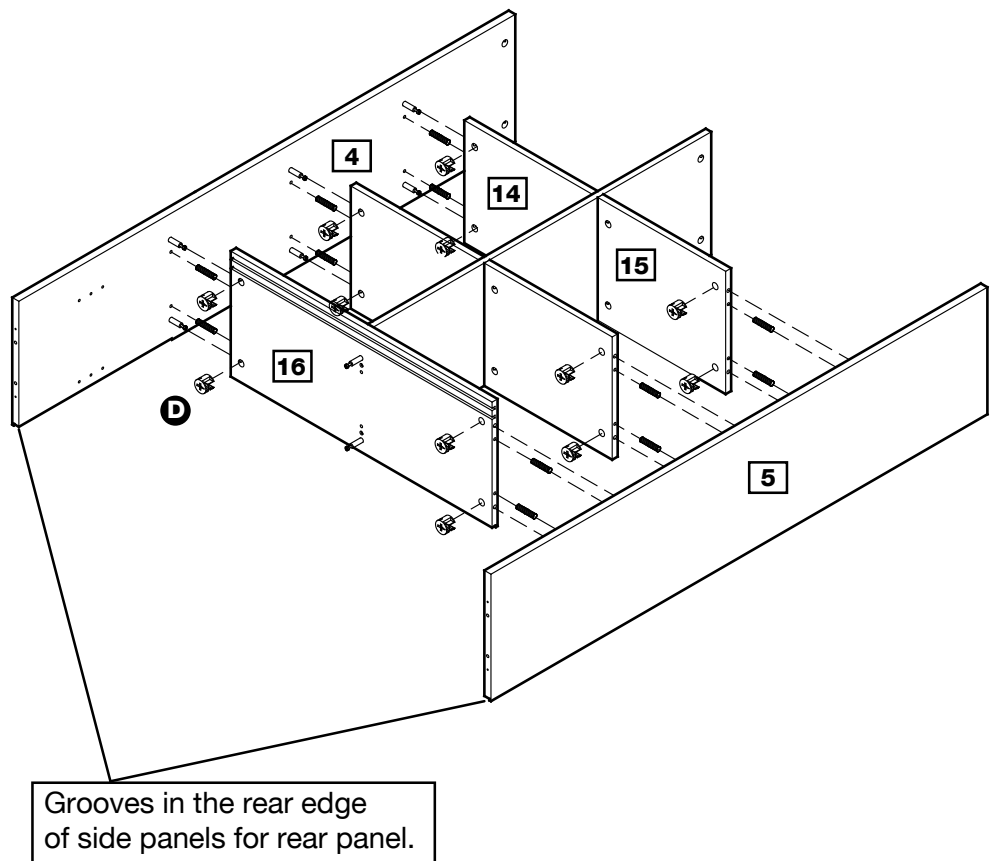
Screw 6 Metal dowels **C** into the threaded holes in Right side panel **5**.



Step 7

Insert Small wood dowels **I** into the middle holes in Shelves **14** **15** **16**.

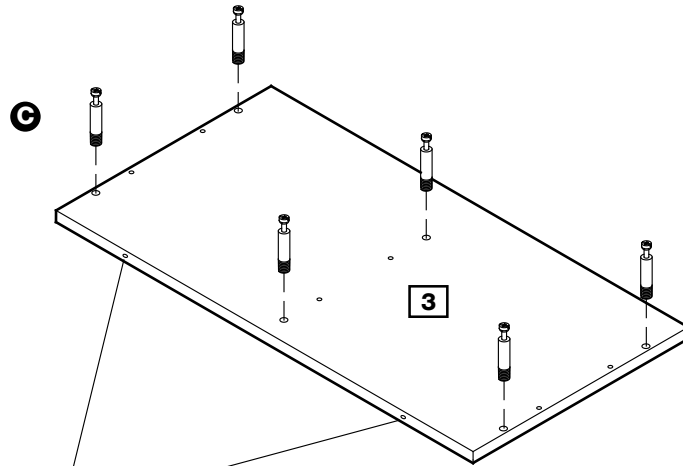
Firmly push the side panels **4** **5** onto the ends of the shelves, ensuring the Metal dowels **C** and wood dowels **I** enter corresponding holes, secure with Metal cams **D**.



Assembly Instructions

Step 8

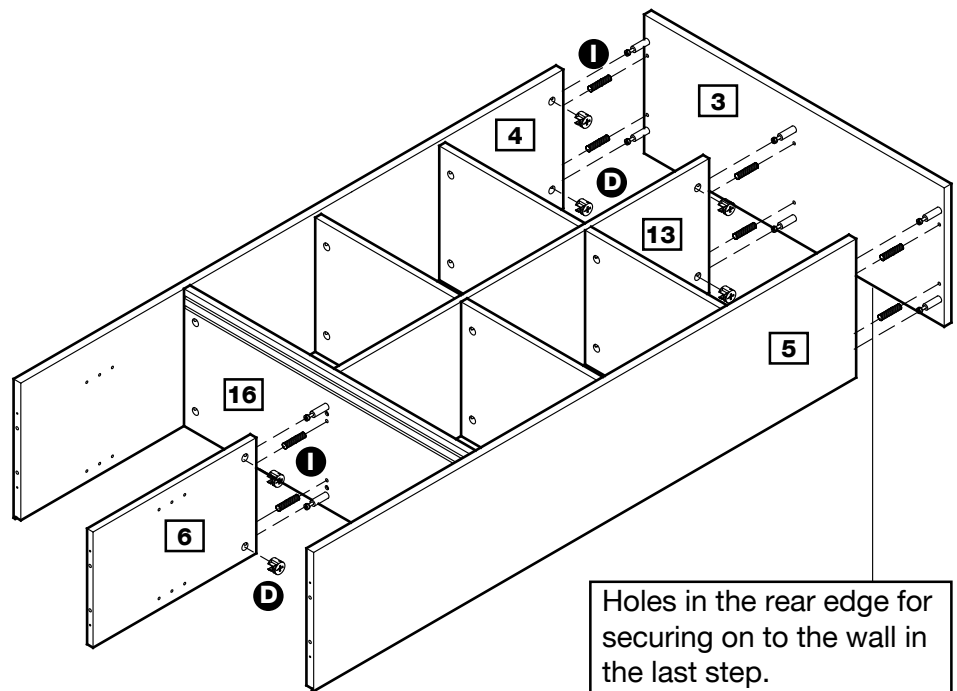
Screw 6 Metal dowels **C** into the threaded holes in Top Panel **3** as shown.



Step 9

Insert Small wood dowels **I** into the middle holes in Side panels and Dividers.

Firmly push the Top Panel **3** onto the ends of the panels **4** **5** and **13**, ensuring the Metal dowels **C** and wood dowels **I** enter corresponding holes, secure with Metal cams.



Step 10

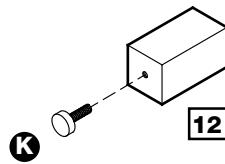
Insert Small wood dowels **I** into the middle holes in Lower fixed shelf **16**.

Firmly push the Lower divider **6** onto the dowels and secure with Metal cams.

Assembly Instructions

Step 11

Screw Adjustable foot **K** into the bottom hole of Center leg **12**. You can adjust the foot to make sure the unit is stable when the assembly is complete.



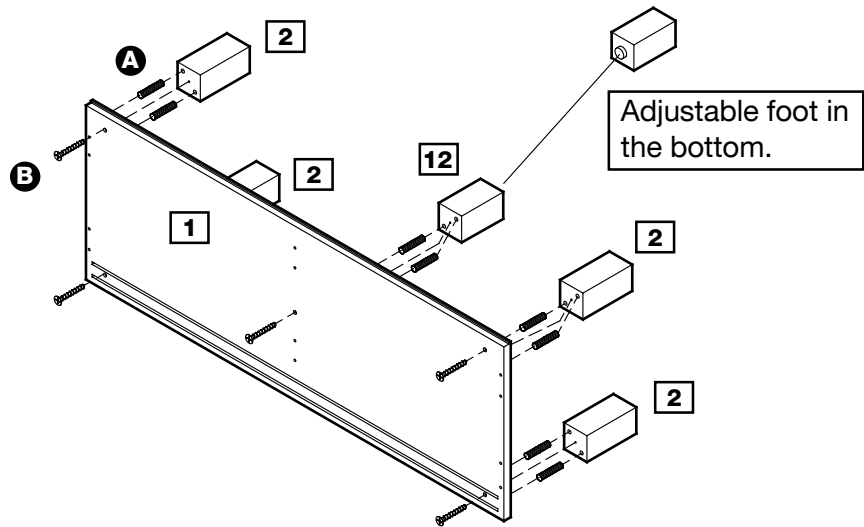
Step 12

Lay Bottom Panel **1** on its long edge on a flat soft surface.

Push Large wood dowels **A** into indicated holes in Bottom panel.

Push Legs **2** onto the corner wood dowels in Bottom panels and fasten using 50mm Screws **B**.

Repeat this step to secure Center leg **12** in the middle of bottom panel.

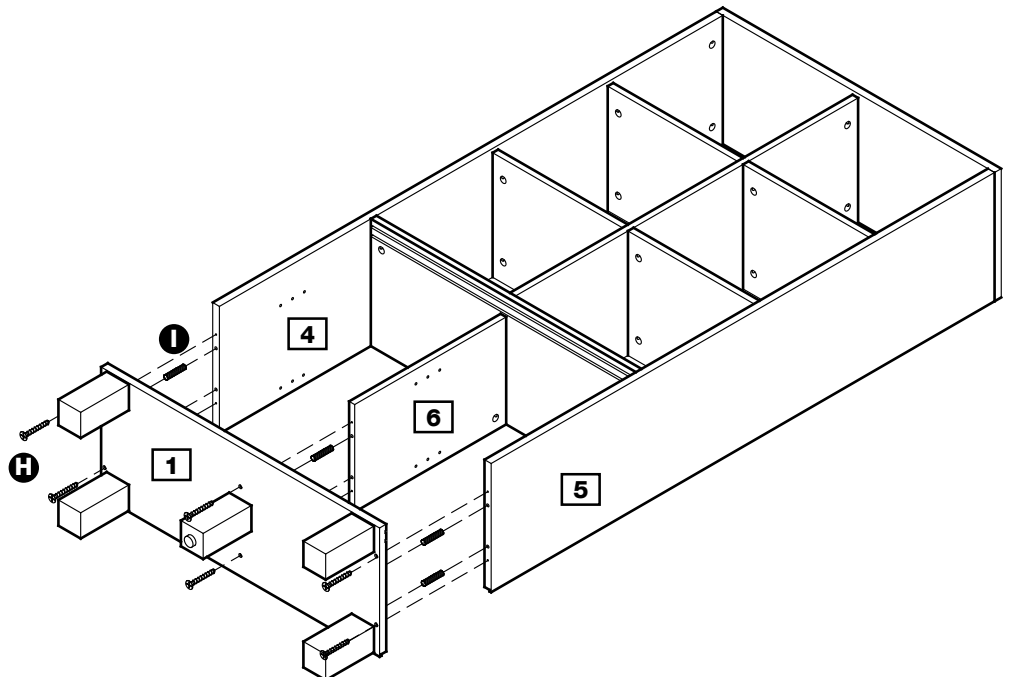


Step 13

Push Wood dowels **I** into ends of side panels **4**, **5** and **6**.

Push Bottom panel **1** onto the wood dowels in the end of panels and fasten using 40mm Screws **H**.

Turn the unit upright, cover all visible cam holes with Cover pads **G**.



Assembly Instructions

Step 14

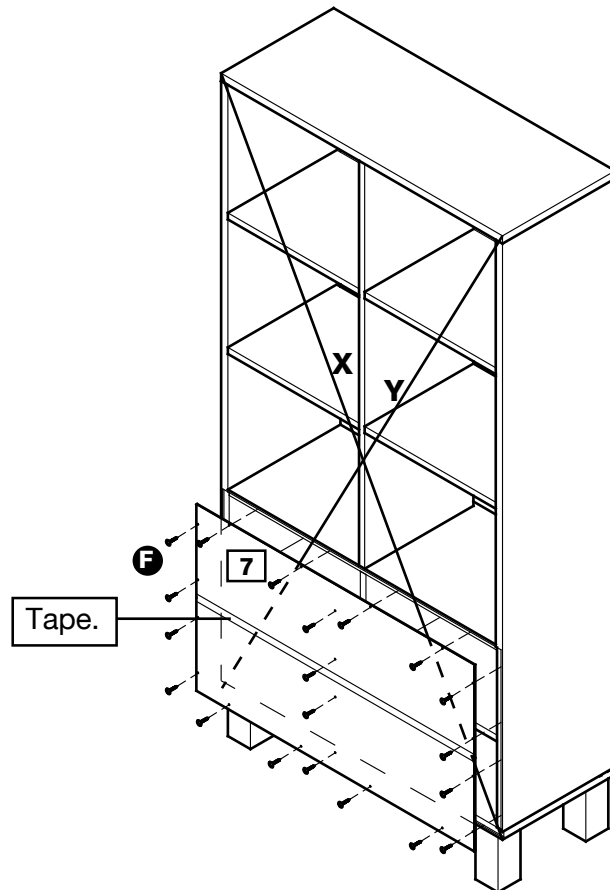
Unfold Rear Panel **7** .

Secure the Rear Panel **7** into the rear edges of side panels, lower fixed shelf and bottom panel using 14mm Screws **F** .



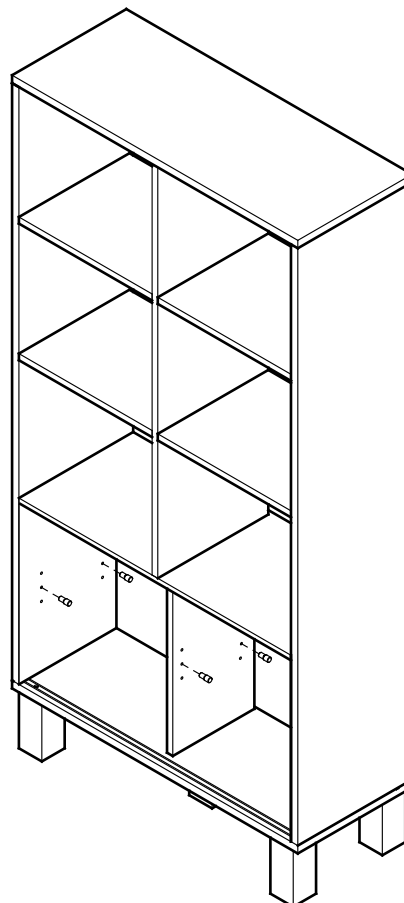
Note - make sure unit is square before securing rear panel in place.

Measure on the back across the 2 diagonals to make sure unit is square.



Step 15

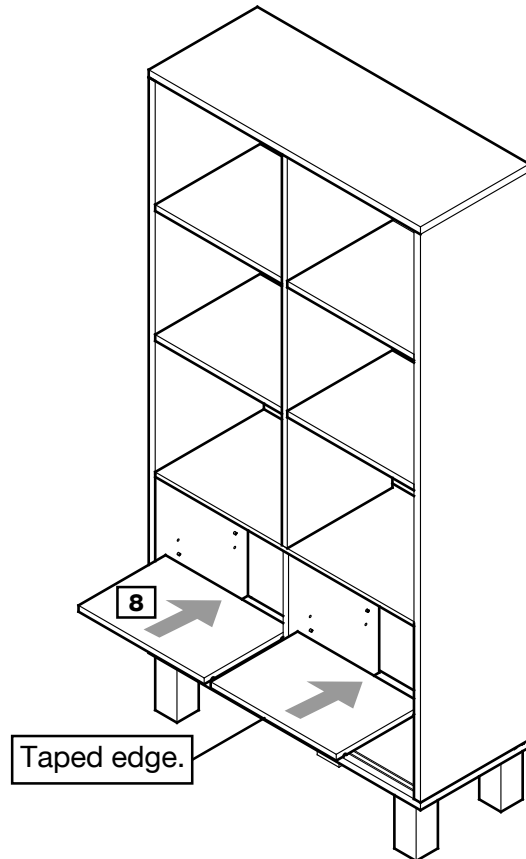
Push 4 Shelf Pins **E** into each side of the side panels and divider at desired height.



Assembly Instructions

Step 16

Place adjustable shelves **8** onto the Shelf Pins.



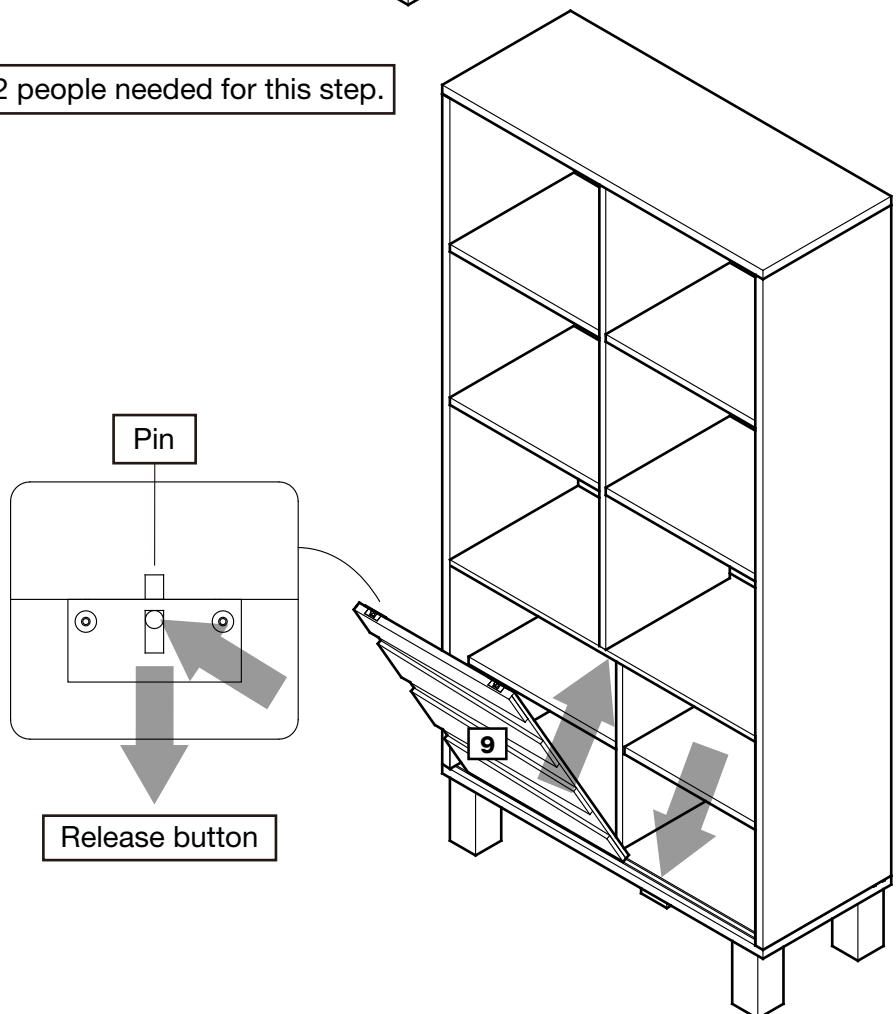
Step 17

Make sure the pin in the top lock in the Door **9** is down, if not, push it down until it locks.

Insert the bottom rollers of Door **9** in the inner groove in the bottom panel, holding the door and push the top edge to line up with the inner groove in lower fixed shelf.

Push the release button to release the pin into the top inner groove.

2 people needed for this step.



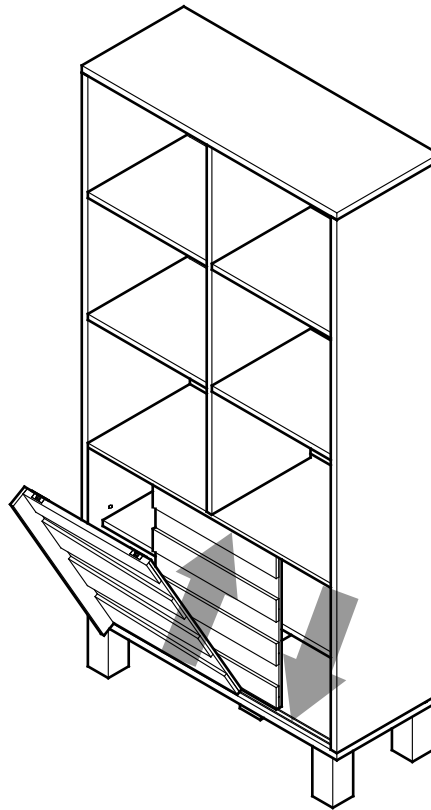
Assembly Instructions

Step 18

Make sure the pin in the top lock in Left side door **10** is down, if not, push it down until it locks.

Insert the bottom rollers of Door **10** in the outer groove in the bottom panel, holding the door and push the top edge to line up with the outer groove in lower fixed shelf.

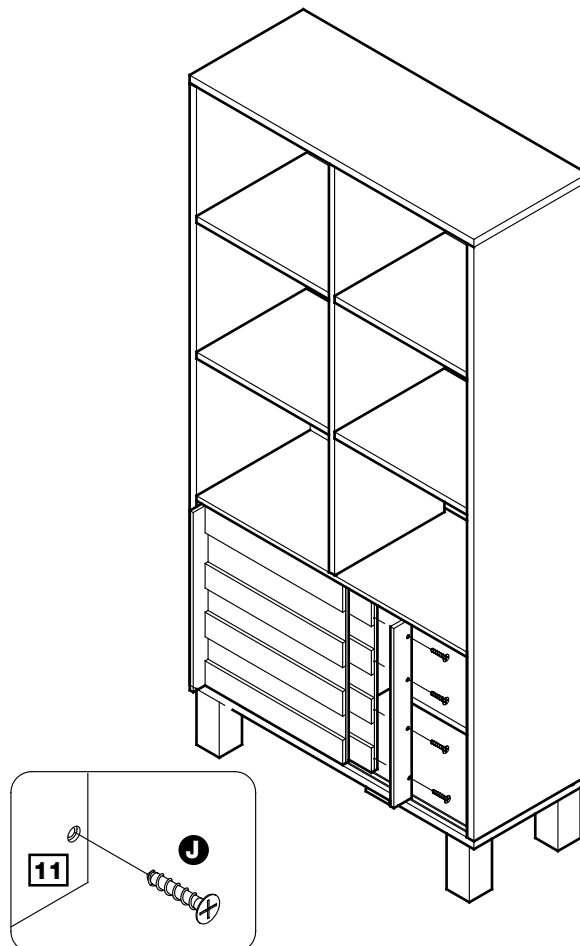
Push the release button to release the pin into the top outer groove.



Step 19

Secure Right side door rail **11** on to the Right side door **9** using Screws **J** from the counter sunk hole as shown.

Cover the visible screw holes with Cover pads **G**.



Assembly Instructions

Step 20



Note: This Step is for securing the Unit to a wall and should only be attempted by experienced persons.

You will Need the Following:

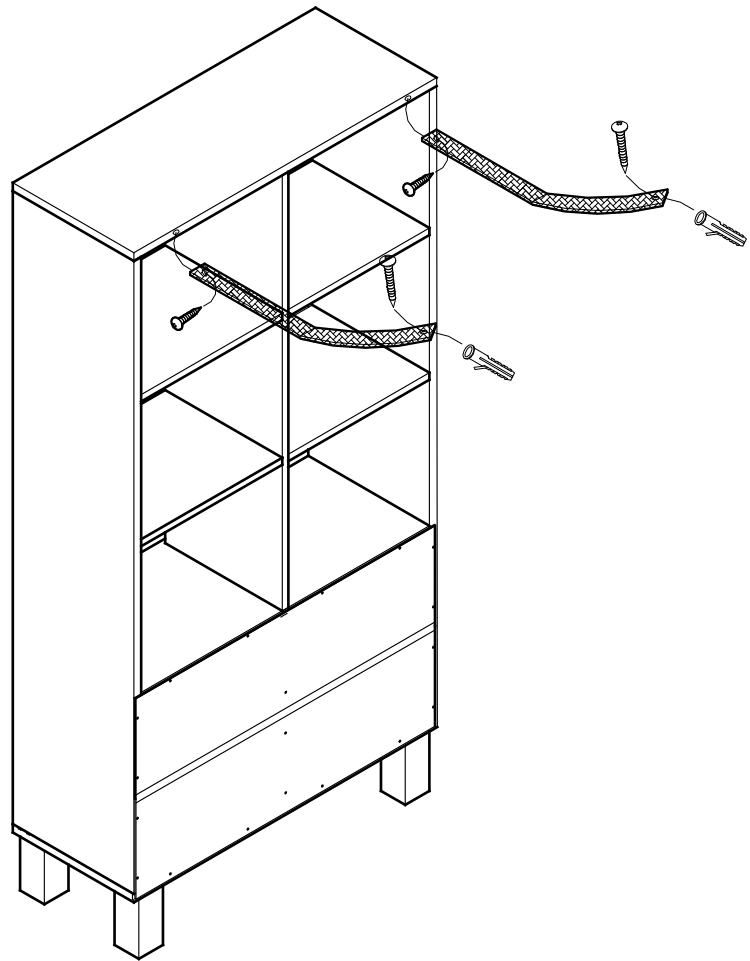
- Another person to assist you
- Electric Drill (& Drill Bits)
- Screwdriver

Fixings Supplied:

- 2 Webbing
- 2 Small Wood Screws
- 2 Large Wall Screws
- 2 Wall Plugs



Note: The fixings described are for use with solid masonry walls only. Alternative fixings should be purchased if you have a different wall construction.



Assembly is complete.

If you need help or have damaged or missing parts, call the **Customer Help Line: 03456 400800**
Home Retail Group plc. Avebury, 489-499 Avebury Boulevard. Milton Keynes. MK9 2NW

A Guide to - Wall Mounting & Fixings

Important note:

If plastic wall plugs are supplied with your product:



- these are only suitable for use in masonry walls.

If you are in any doubt about the correct wall plugs for your wall, seek professional advice.


Failure of the product due to using incorrect fixings is the responsibility of the installer.



Important: When drilling into walls always check that there are no hidden wires or pipes etc.

Make sure that the screws and wall plugs being used are suitable for supporting your unit. Consult a qualified tradesperson if you are unsure.

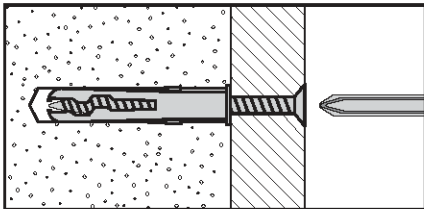
Hints:

- 1: General rule:**  Always use a larger screw and wall plug if you are not sure.
- 2:** Ensure you use the recommended drill bit to match the wall plug and hole size.
- 3:** Ensure you drill the hole horizontally, do not force the drill or enlarge the hole.
- 4:** Take extra care when drilling high walls, ceilings and ceramic tiles. Ensure wall plugs are inserted beyond the thickness of the ceramic tiles to avoid the tiles splitting or cracking.
- 5:** Ensure wall plugs are well fitted and are a tight fit in the drilled hole.

Types of walls

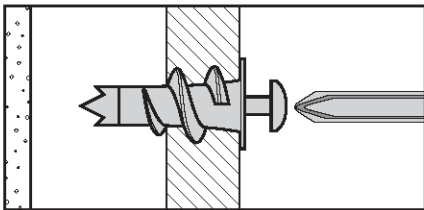
You can use one of the following types of wall plug if your walls are made of brick, breeze block, concrete, stone or wood.

No.1 "General Purpose" wall plug



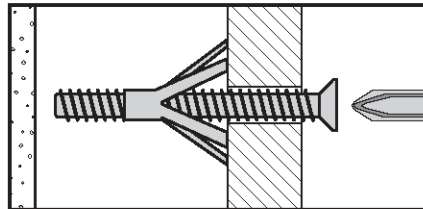
Generally aerated blocks should not be used to support heavy loads, use a specialist fitting in this case. For light loads, general purpose wall plugs can be used.

No.2 "Plasterboard" wall plug



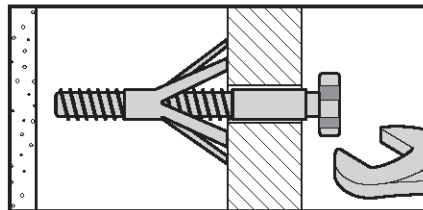
For use when attaching light loads on to plasterboard partitions.

No.3 "Cavity Fixing" wall plug



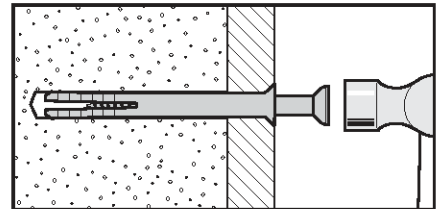
For use with plasterboard partitions or hollow wooden doors.

No.4 "Cavity Fixing-Heavy Duty" wall plug



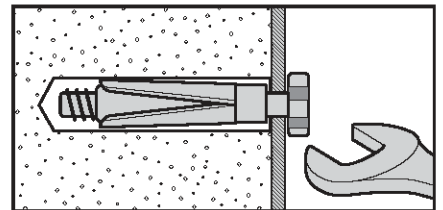
For use when fitting or supporting heavy loads such as shelving, wall cabinets and coat racks.

No.5 "Hammer Fixing" wall plug



For use with walls stuck with plasterboard. The hammer fixing allows it to be fixed to the wall rather than the plasterboard. Always check the fixing is secure to the retaining wall.

No.6 "Shield Anchor" wall plug Heavy loads



For use with heavier loads such as TV & HiFi speakers and satellite dishes etc.



Care & Maintenance

Safety: Always check the fitting and location to ensure your safety in and around the home.

Fitting: From time to time check the fitting to ensure the wall plugs or screws do not become loose.