

# HYG SASHA CHAIR GREY

Assembly Instructions - Please keep for future reference

464/2691(D)

**hygena**



## Dimensions

Width -59 cm

Depth -61.5 cm

Height-79-89 cm

**Important – Please read these instructions fully before starting assembly**

If you need help or have damaged or missing parts, call the Argos Aftersales Helpline 0345 640 0800



## Safety and Care Advice

**Important** – Please read these instructions fully before starting assembly

- Check you have all the components and tools listed on page 2, 3
- Remove all fittings from the plastic bags and separate them into their groups.
- Keep children and animals away from the work area, small parts could choke if swallowed.
- Make sure you have enough space to layout the parts before starting.

- Do not stand or put weight on the product during assembly, this could cause damage.
- Assemble the item as close to its final position (in the same room) as possible.
- Assemble on a soft level surface to avoid damaging the unit or your floor.
- Parts of the assembly will be easier with 2 people.



- We do not recommend the use of power drill/drivers **for inserting screws**, as this could damage the unit. Only use hand screwdrivers.
- Dispose of all packaging carefully and responsibly.

### Care and maintenance

- From time to time check that there are no loose screws on this unit.
- To avoid any risk of suffocation to animals or children dispose of the plastic bags immediately .
- As with all surfaces clean with a damp cloth and mild detergent, do not use bleach or abrasive products.
- This product should not be discarded with household waste. Take to your local authority waste disposal centre.

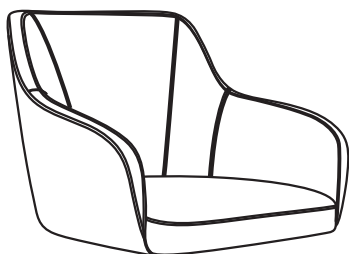
### Safety during use

- Do not stand on this chair. Do not use this chair as a step ladder .
- Use this product only for seating one person at a time.
- Do not use this chair unless all bolts, screws and knobs are firmly secured.
- At least every 4 months, check all bolts, screws and knobs, to be sure they are tight .
- If parts are missing, broken or damaged or worn, stop use of this product until repairs are made & using factory authorized parts .
- Failure to follow these warnings could result in serious injury.

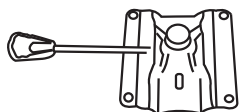
**Note:** if required the next page can be cut out and used as reference throughout the assembly. Keep this page with these instructions for future reference.

# Components - Parts

Please check you have all the parts listed below



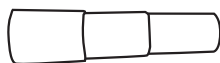
**1** Seat x 1



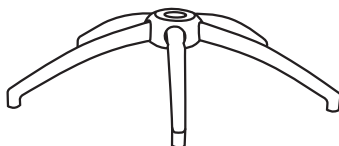
**2** Plate x 1



**3** Gas lift(100mm) x 1



**4** Gas lift cover x 1



**5** Base(335mm) x 1



**6** Castor x 5

# Components - Fittings

Please check you have all the fittings listed below

**Note:** The quantities below are the correct amount to complete the assembly. In some cases more fittings may be supplied than are required.

**A**



M6 x 22mm x 4

## Tools required



Allen key

## Ruler - Use this ruler to help correctly identify the screws



The screws length is measured from the head to the point (30mm screw shown).

# Assembly Instructions

## Step 1

### Fitting the base

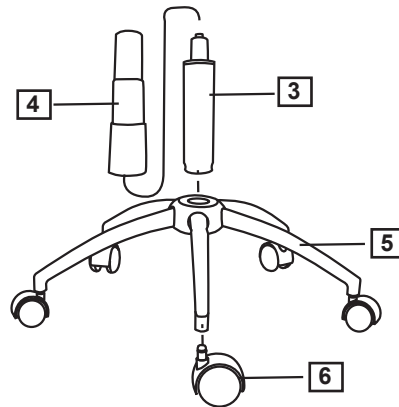
**a:** Push all the five castors **6** into the underside of the base **5**.

**NOTE:** Ensure all the castors are firmly located on the base.

**b:** Insert the gas lift **3** into the base **5**.

**c:** Put the gas lift cover **4** on the gas lift **3**.

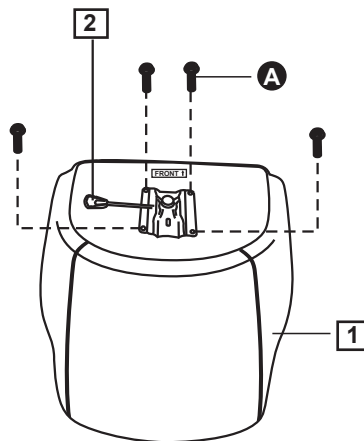
**NOTE:** Ensure the gas lift is fully inserted and well fitted.



## Step 2

### Fitting the base

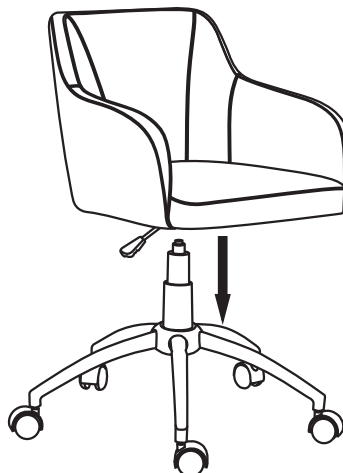
Use bolts **A** to fix the seat plate **2** onto the seat **1**. With correct orientation.



## Step 3

### Fitting the unit

Carefully locate the seat onto the base unit.



# Assembly Instructions

## Step 4

### Finishing the Unit

Carefully place the unit in the desired location.

**Assembly is complete.**



If you need help or have damaged or missing parts, call the Argos Aftersales Helpline 0345 640 0800  
489-499 Avebury Boulevard Milton Keynes MK9 2NW, Argos Limited