

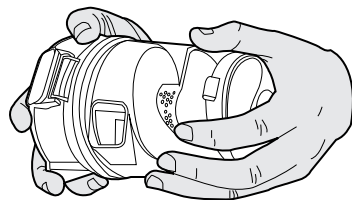
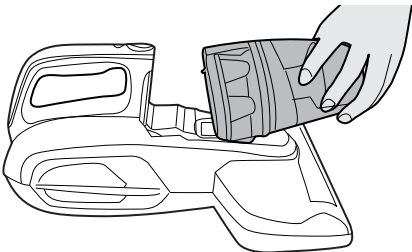
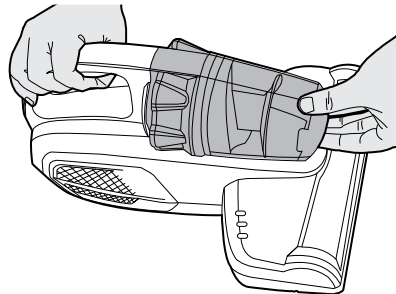
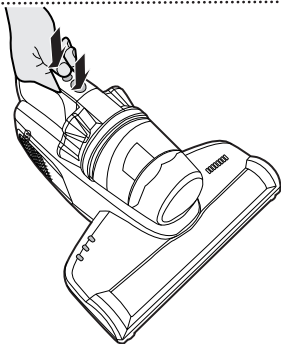
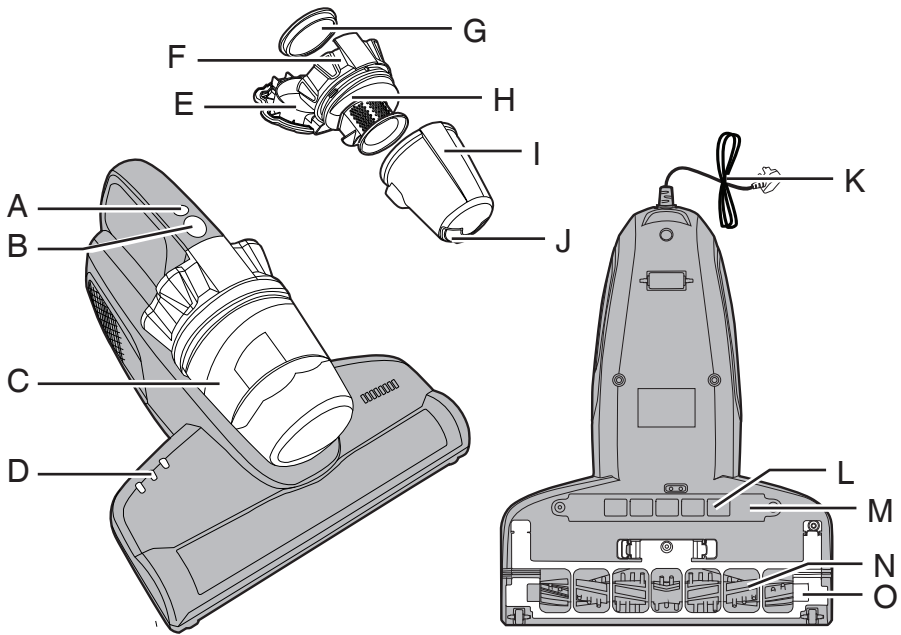
HOOVER

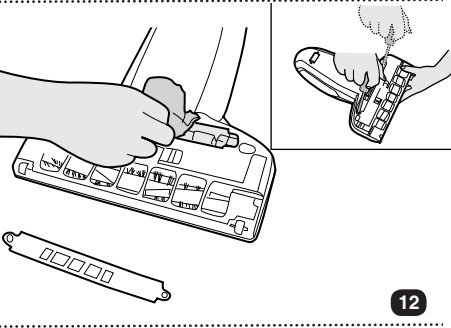
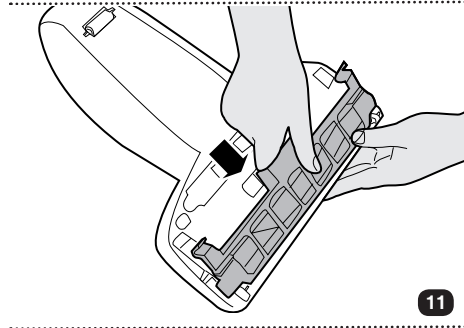
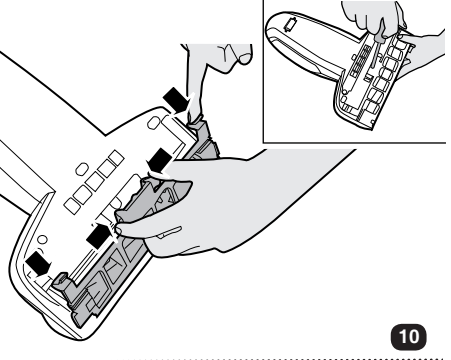
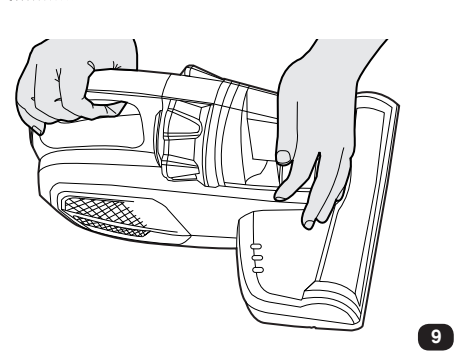
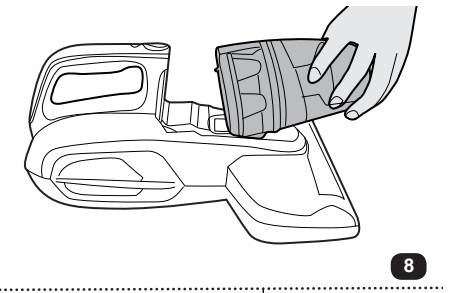
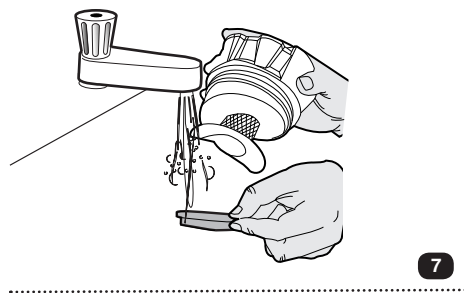
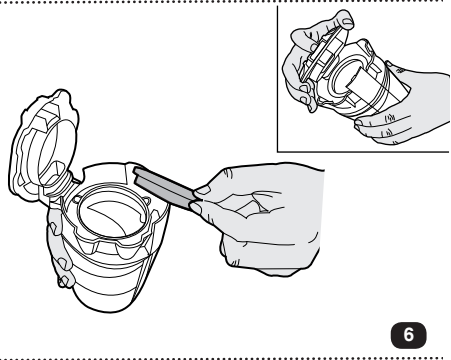
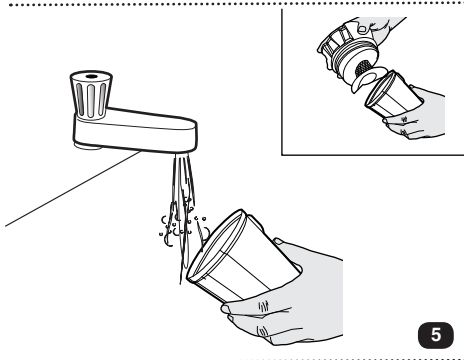
INSTRUCTION MANUAL



GENERATION FUTURE







INSTRUCTIONS FOR SAFE USE

This appliance should only be used for mattress, blanket, pillow, cushion, sofa and other textiles cleaning, as described in this user guide. Please make sure that you fully understand this guide before operating the appliance.

This appliance can be used by children aged from 8 years and above and persons with reduced physical, sensory or mental capabilities or lack of experience and knowledge if they have been given supervision or instruction concerning the use of the appliance in a safe way and understand the hazards involved. Children shall not play with the appliance. Cleaning and user maintenance shall not be made by children without supervision. If the power cord is damaged stop using the appliance immediately. To avoid a safety hazard, an authorised Hoover service engineer must replace the power cord.

DO'S and DONT'S

Only use attachments, consumables or spares recommended or supplied by Hoover.

Do frequently clean the bin and pre-motor filter assembly.

Do not leave the appliance plugged in. Always switch off and remove the plug from the socket after use, or before cleaning the appliance or any maintenance task.

Do not pick up hard or sharp objects, matches, hot ashes, cigarette ends or other similar items.

This product is fitted with a UV-C lamp, avoid watching the bottom of the machine when the power is on to prevent UV-C radiation to human body.

Please do not concentrate the UV-C lamp in one place for prolonged periods, this may damage the cleaning object.

Do not continue to use your appliance if it appears faulty.

Do not use the appliance to clean animals or people.

Do not use your appliance out of doors or on any wet surface or for wet pick up.

WARNING: This appliance contains a UV-C emitter. Do not stare at the light source.

Hoover service: To ensure the continued safe and efficient operation of this appliance we recommend that any servicing or repairs are only carried out by an authorised Hoover service engineer.

Static electricity: Some blankets can cause a small build up of static electricity. Any static discharge is not hazardous to health.

GETTING TO KNOW YOUR MATTRESS CLEANER

- | | |
|--------------------------|--------------------------|
| A. Mode Selector* | G. Pre-Motor Filter |
| B. Power Button | H. Mesh |
| C. Bin Assembly | I. Bin |
| D. Indicator Lamps | J. Bin Release Cover |
| D1 - Vacuum Indicator | K. Power Cord |
| D2 - Agitator Indicator | L. UV-C Lamp |
| D3 - UV-C Lamp Indicator | M. UV-C Lamp Cover Plate |
| E. Bin Top Cover | N. Rotating Agitator |
| F. Bin Lower Cover | O. Agitator Cover Plate |

USING YOUR MATTRESS CLEANER

Make sure all the components are correctly assembled, Extract the power cord and plug into the power supply. The appliance will make a 3 tone sound to indicate it is ready to start.

1. Vacuum + Rotating Agitator + UV-C Lamp Mode

Press the on/off button [1], the appliance will automatically start up all 3 modes, Vacuum, Rotating Agitator and UV-C Lamp. This will be indicated by 3 illuminated indicator lamps **D1, D2 & D3**.

At this setting, the appliance will use the UV-C radiation to kill mites, bacteria, and other harmful organisms.

The rotating agitator will disturb and loosen any dust allowing the appliance to vacuum the debris into the bin.

2. Vacuum + Rotating Agitator Mode

Press the on/off button [1], the appliance will automatically start up all 3 modes, Vacuum, Rotating Agitator and UV-C Lamp, to switch off the UV-C lamp, press the Mode Selector* once [1].

This will be shown by 2 illuminated indicator lamps **D1 & D2**.

At this setting, the appliance will use the rotating agitator to disturb and loosen any dust allowing the appliance to vacuum the debris into the bin.

3. Vacuum + UV-C Lamp Mode

Press the on/off button [1], the appliance will automatically start up all 3 modes, Vacuum, Rotating Agitator and UV-C Lamp, to switch off the Rotating Agitator, press the Mode Selector* twice [1].

This will be shown by 2 illuminated indicator lamps **D1 & D3**.

At this setting, the appliance will use the UV-C radiation to kill mites, bacteria, and other harmful organisms.

The Vacuum function will vacuum the debris into the bin.

WARNING: In order to avoid accidental injury, the UV-C lamp WILL ONLY WORK when within a distance of 10 cm from the object being cleaned or at a working angle less than 30 degrees. If the cleaner is outside these parameters then the UV-C LAMP INDICATOR **D3** and the UV-C lamp will SWITCH OFF AUTOMATICALLY.

At any time during use, press the On/Off button to switch the appliance off.

MATTRESS CLEANER MAINTENANCE

1. Bin Cleaning

Turn off the appliance, unplug the power, press the bin release button and remove the bin assembly [2,3].

Rotate the bin and remove [4] Empty the contents of the bin and clean [5].

Unlatch the bin top cover [6], remove the Pre-motor filter and wash with hand warm water [7], allow to dry thoroughly before replacing in the appliance. Rinse and wipe clean any dust build up on the Mesh [7] After cleaning, refit the bin to main body [8,9].

Cleaning the Washable Filters

To maintain optimum cleaning performance regularly remove the filters and tap against the side of the bin to release dust. The filters should be washed by hand in warm water when the filter has reached an excessive dust level. Do not use hot water or detergents.

IMPORTANT: All bagless cleaners require regular filter cleaning. Failure to clean your filters may result in air blockage, overheating and product failure. This may invalidate your guarantee.

*Certain models only

IMPORTANT: Always ensure the filters are fully dry before use. Do not use the product without the filter fitted.

2. Agitator Cleaning

To remove the agitator cover plate, remove the screw, press the 4 release clips and remove the agitator cover plate [10]. Using scissors, carefully cut and remove any tangled threads or hair etc from the agitator body. After cleaning replace the agitator cover [11] and secure the cover in place using the screw.

3. UV-C Lamp Cleaning

To remove the UV-C Lamp cover plate, remove the 2 screws [12] and remove the UV-C cover plate. Use a dry soft cloth or cotton swab to gently wipe clean the lamp [12]. After cleaning replace the UV-C Lamp cover plate and secure the cover in place using the 2 screws.

IMPORTANT:

1. The penetrability of the UV-C lamp is weak, any paper, lead, glass or plastic may greatly reduce the intensity of UV-C irradiation. Any dust or oil on the UV-C lamp will directly affect the penetrability. The UV-C lamp should be cleaned regularly.
2. Do not touch the UV-C lamp with your bare finger, the stain you leave on it will affect the penetration of sterilisation light.
3. Regularly check and maintain the filters.
4. If the appliance will not be used for a long time, please store the appliance in a cool dry place, do not store your appliance in damp conditions or in direct sunlight.

TROUBLE SHOOTING

The following is a list of commonly encountered problems and solutions.
If any of these problems persist contact your local Hoover representative.

The Mattress Cleaner does not work	<ol style="list-style-type: none"> 1. Is there a working electricity supply to the appliance? 2. Has the appliance been switched on? 	<ol style="list-style-type: none"> 1. Check the power supply with another electrical product. 2. Switch on the Power Button.
Reduced Suction	<ol style="list-style-type: none"> 1. Is the appliance blocked? 2. Is the Pre-Motor Filter Blocked? 	<ol style="list-style-type: none"> 1. Clean the suction inlet. 2. Clean up the bin and Pre-motor filter.
UV-C lamp does not work	<ol style="list-style-type: none"> 1. The reflection of the object surface is very poor or is too far away from the appliance. 2. Is the appliance being used at an angle over 30 degrees? 3. Is the infrared sensor on the bottom of the appliance dirty? 4. Is the UV-C lamp damaged? 	<ol style="list-style-type: none"> 1. Normally the UV-C lamp will turn on automatically within 10cm of the cleaning surface. 2. Appliance must be used at less than a 30 degree angle for the UV-C Lamp to operate. 3. Clean the sensors with a semi-dry cotton cloth. 4. Contact Hoover after-sales service to replace the UV-C lamp.
Mattress stops working suddenly	<ol style="list-style-type: none"> 1. Has the appliance overheated? 	<p>In order to avoid the motor overheating, security mechanisms have been added. If this happens, stop using the appliance, clean the Pre-Motor Filter and Bin. Wait two hours for the appliance to reset before re-using.</p>



GB

IMPORTANT INFORMATION

Hoover spares and Consumables

Always replace parts with genuine Hoover spares. These are available from your local Hoover dealer or direct from Hoover. When ordering parts always quote your model number.

Consumables

- Pre-Motor Filter S119 35601675
- Agitator Y32 35601676

The Environment:

The symbol on the product indicates that this product may not be treated as household waste. Instead it shall be handed over to the appliance collection point for recycling of electrical and electronic equipment. Disposal must be carried out in accordance with the local environmental regulations for waste disposal. For more detailed information about treatment, recovery and recycling of this product, please contact your local city office, your household waste disposal service or the shop where you purchased the product.



This product complies with the European Directives 2006/95/EC, 2004/108/EC and 2011/65/EC.

HOOVER Limited Pentrebach, Merthyr Tydfil, Mid Glamorgan CF48 4TU, UK

YOUR GUARANTEE

The guarantee conditions for this appliance are as defined by our representative in the country in which it is sold. Details regarding these conditions can be obtained from the dealer from whom the appliance was purchased. The bill of sale or receipt must be produced when making any claim under the terms of this guarantee.

Subject to change without notice.



GENERATION FUTURE

Hoover Limited
Pentrebach
Merthyr Tydfil
Mid Glamorgan
CF48 4TU

HOOVER CUSTOMER HELPLINE
03444 995 599

PRINTED IN P.R.C
48017691/01

