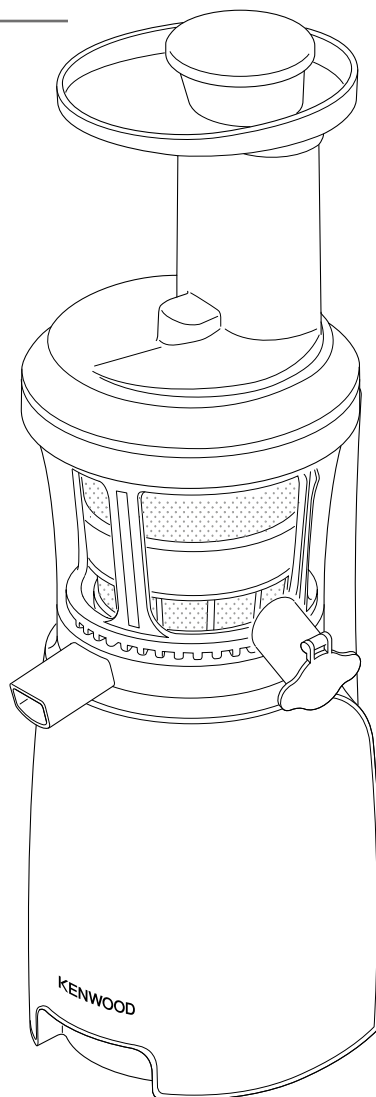


# KENWOOD

## TYPE JMP60

instructions



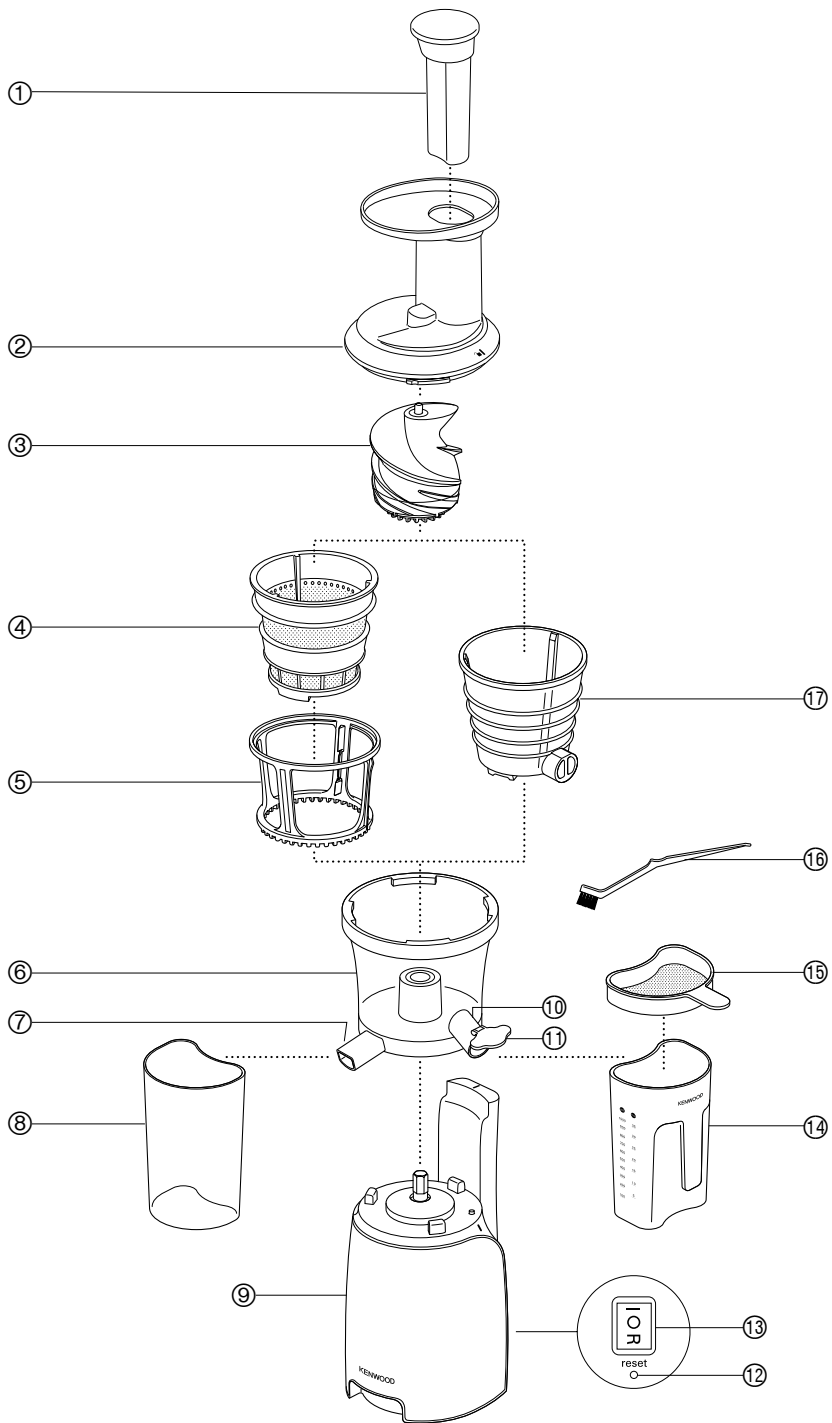
**English**

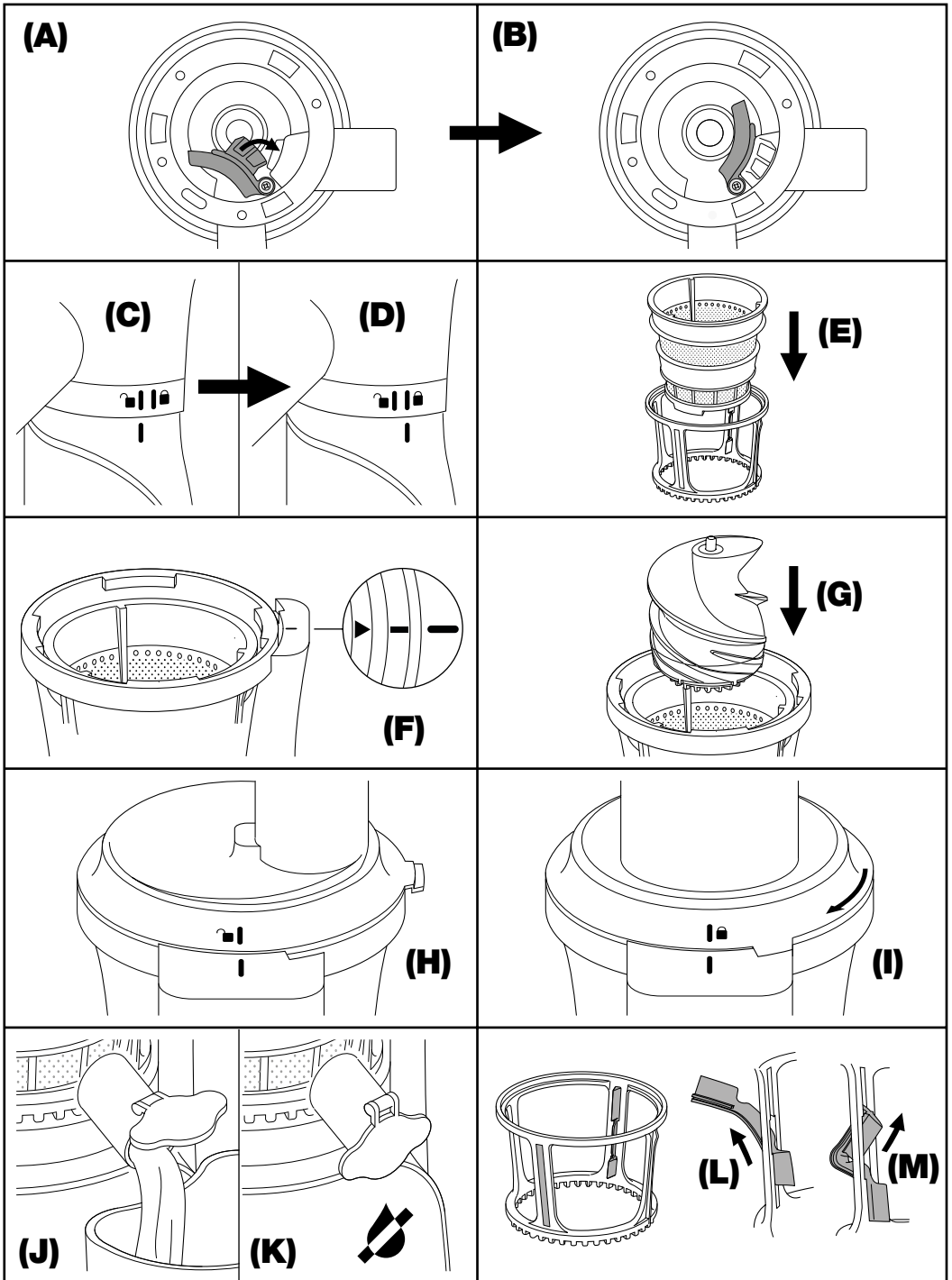
**2 - 8**

عربي

١٦ - ٩







## safety

- Read these instructions carefully and retain for future reference.
- Remove all packaging and any labels.
- **Do not use the juicer if the filter is damaged.**
- Never put the power unit, cord or plug in water – you could get an electric shock.
- Switch off and unplug:
  - before fitting or removing parts
  - before cleaning
  - after use.
- Never use a damaged juicer. Get it checked or repaired: see ‘Service and customer care’.
- Only use the pusher supplied. Never put your fingers in the feed tube. Unplug and remove the lid before unblocking the feed tube.
- Before removing the lid, switch off and wait for the filter to stop.
- Do not over fill the feed tube or use excessive force to push the food down the feed tube – you could damage your juicer.
- Do not process frozen fruit or vegetables. Allow to defrost before processing.
- Do not process dried or hard ingredients such as grains, fruit with hard seeds or ice as they may damage the juicer.
- Do not touch moving parts.
- Never leave the juicer switched on unattended.
- Never use an unauthorised attachment.
- Never process frozen ingredients that have formed a solid mass during freezing, break it up before processing.
- The sorbet attachment is not suitable for processing ice cubes.
- Children should be supervised to ensure that they do not play with the appliance.
- This appliance shall not be used by children. Keep the appliance and its cord out of reach of children.

- Misuse of your appliance can result in injury.
- Do not let the cord touch hot surfaces or hang down where a child could grab it.
- Appliances can be used by persons with reduced physical, sensory or mental capabilities or lack of experience and knowledge if they have been given supervision or instruction concerning use of the appliance in a safe way and if they understand the hazards involved.
- Only use the appliance for its intended domestic use. Kenwood will not accept any liability if the appliance is subject to improper use, or failure to comply with these instructions.

#### before plugging in

- Make sure your electricity supply is the same as the one shown on the underside of the appliance.

#### Important – UK only

- The wires in the cord are coloured as follows:  
Green and Yellow = Earth,  
Blue = Neutral,  
Brown = Live
- The appliance must be protected by a 3A approved (BS1362) fuse.

- **WARNING: THIS APPLIANCE MUST BE EARTHED.**

#### Note:

- For non-rewireable plugs the fuse cover **MUST** be refitted when replacing the fuse. If the fuse cover is lost then the plug must not be used until a replacement can be obtained. The correct fuse cover is identified by colour and a replacement may be obtained from your Kenwood Authorised Repairer (see Service).
- If a non-rewireable plug is cut off it must be **DESTROYED IMMEDIATELY**. An electric shock hazard may arise if an unwanted non-rewireable plug is inadvertently inserted into a 13A socket outlet.
- This appliance conforms to EC Regulation 1935/2004 on materials and articles intended to come into contact with food.

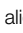
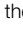
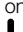

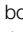
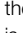
#### before using for the first time


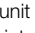

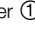
Wash the parts: see 'care and cleaning'.

#### key

- ① pusher
- ② lid with hopper
- ③ scroll
- ④ filter basket
- ⑤ rotating wiper holder
- ⑥ juicing bowl
- ⑦ pulp spout
- ⑧ pulp container
- ⑨ power unit
- ⑩ juice spout
- ⑪ anti-drip stopper
- ⑫ reset button
- ⑬ On/Off/Reverse switch
- ⑭ juice jug
- ⑮ clip on sieve
- ⑯ cleaning brush
- ⑰ sorbet attachment (if supplied)

#### using your juicer

- 1 Fit the pulp stopper **(A)** into the opening on the underside of the juicing bowl ⑥ and push in until secure **(B)**.
- 2 Fit the juicing bowl ⑥ to the power unit by aligning the  on the side of the bowl with the  on the power unit **(C)**. To lock the bowl on turn it clockwise until the  line up with the  on the power unit **(D)**.
- 3 Place the filter basket ④ into the wiper holder ⑤ **(E)**.
- 4 Lower the wiper holder assembly into the juicing bowl and align the  with the  on the top of the power unit **(F)**. Ensure that the filter basket is locked into place.

- 5 Place the scroll ③ into the filter basket and push down to secure **(G)**. **Note: the lid cannot be fitted if the scroll is not fully pushed down.**
- 6 Fit the lid ② onto the unit ensuring the  lines up with the  on top of the power unit **(H)**. Then turn the lid clockwise until it clicks into place and the  lines up with the  on top of the power unit **(I)**. Place the food pusher ① into the feed tube.
- 7 Place the pulp container ⑧ under the pulp spout ⑦ and place the juice jug ⑭ under the juice spout ⑩. Ensure the anti-drip stopper ⑪ is in the open position **(J)** before juicing.
  - There is a clip on sieve ⑮ provided, this can be used if a smooth juice is preferred and should be emptied when full or after every 1kg of juicing.
  - Use the recommended usage chart as a guide for juicing different fruits and vegetables.
- 8 Switch on ⑬ and feed the food items down slowly using the pusher. Note: The wiper holder is designed to rotate during operation.
  - To extract the maximum amount of juice, always push the food down slowly using the pusher. Do not use excessive force as the food should be pulled down by the scroll.
  - If the food becomes jammed in the feed tube or on the scroll and the juicer stops operating switch to the 'O' off position. Then press and hold the 'R' reverse button down until the food becomes dislodged. Once the food is released, you can start juicing again.
- 9 After adding the last piece of food, allow the juicer to run to help clear the juice from the juicing bowl. The time will vary depending on the fruit type and thickness of the juice extracted.
- 10 Switch off and wait until the final flow of juice has reduced to a few slow drips. Then place the anti-drip stopper ⑪ in position **(K)** before removing the jug.

**Refer to the troubleshooting section if you experience any problems with the operation of the juicer.**

## juicer hints and tips

- Wash all fruit and vegetable thoroughly before juicing.
- To maximise juice extraction place small quantities at a time in the feed tube and push down slowly.
- Hard foods are best juiced at room temperature.
- You do not have to remove thin peels or skins.

Only remove thick peels that you would not eat e.g. those of oranges, pineapples, melons and uncooked beetroots.

- Use fresh fruit and vegetables as they contain more juice.
- Remove stones and hard seeds from cherries, plums etc.
- Vitamins disappear - the sooner you drink your juice, the more vitamins you will get.
- If you need to store the juice for a few hours put it in the fridge. It will keep better if you add a few drops of lemon juice.

## Health Recommendations

- Do not drink more than three 230mls (8 fl.oz.) glasses of juice a day unless you are used to it.
- Dilute juice for children with an equal amount of water.
- Juice from dark green (broccoli, spinach etc.) or dark red (beetroot, red cabbage etc.) vegetables is extremely strong, so always dilute it.
- Fruit juice is high in Fructose (fruit sugar), so people with diabetes or low blood sugar should avoid drinking too much.

## sorbet attachment (if supplied)

- **All frozen food items to thaw for 5 to 10 minutes before processing. (The time required for thawing will depend how long ingredients have been stored in the freezer).**
- 1 Assemble the parts as per 'using your juicer' section.
  - 2 Fit the sorbet attachment ⑰ instead of the wiper holder ⑤ and filter basket ④.
  - 3 Ensure the anti-drip stopper ⑪ is in the open position **(J)** before processing.
  - 4 After the last piece of food has been added allow the flow from the juicer to stop before switching the unit off.

## sorbet attachment hints and tips

- Remove hard skins and seeds from ingredients before freezing.
- Cut whole fruits such as apples, oranges and kiwi to fit the feed tube before freezing. Freeze pieces in a single layer to prevent them from forming a solid mass.
- Ingredients that have formed a solid mass during freezing, break up before processing.
- Process cubes of frozen yoghurt with your chosen fruit to produce a creamy 'iced dessert'.

recommended usage chart		
<b>Fruit/Vegetable</b>	<b>Preparation</b>	<b>Hints and Tips</b>
Apples	Cut down to fit the feed tube.	To maximise juice extraction hard foods are best juiced when at room temperature.
Carrots	Cut down to fit the feed tube.	
Pineapple	Remove the leaves and stalks by slicing off the top and base. Cut into lengthwise pieces.	To prevent the filter from clogging clean the filter after every large pineapple.
Seedless Grapes	Remove stalks.	Process small handfuls at a time to maximise juice extraction.
Tomatoes	Cut down to fit the feed tube.	A thick pulpy juice will be produced rather than a smooth juice.
Mangoes	Remove tough skin and stones.	The juice produced will be very thick.
Melons	Remove tough skin.	–
Kiwi fruits	Cut down to fit the feed tube.	–
Soft berries- (Raspberries, Blackberries etc.)	Juice whole.	Process small handfuls at a time to maximise juice extraction.
Harder berries- (Cranberries etc.)		
Beetroot (Raw)	Remove leaves and peel.	–
Leafy Vegetables- spinach, kale, wheatgrass etc.	Wrap leaves into a bunch.	–
Celery	Juice whole.	–
Cucumber	Cut down to fit the feed tube.	–
Citrus fruits- Oranges	Peel and remove white pith.	–
Fruit with stones or hard seeds (Nectarines, Plums, Cherries etc.)	Remove the stones or hard seeds before juicing.	–
Pomegranates	Open the fruit by scoring the outside skin and breaking apart. Submerge in a large bowl of cold water and remove the seeds from the pulp (this helps to separate the seeds as they will sink to the bottom of the bowl and the white pulp will float to the top).	–



## care and cleaning

- Always switch off, unplug and take the juicer apart before cleaning.
- Some discolouration of parts may occur upon using ingredients such as carrot or leafy vegetables. Cleaning all parts immediately after each use will help to reduce stains.
- Do not clean the pulp or filter outlet with a sharp pointed object such as the end of a knife as you will damage the bowl. Use the tip of the cleaning brush handle to clean the outlets.

### power unit

- Wipe with a damp cloth, then dry.
- Do not immerse in water.

### filter

- To assist with removal of pulp and fibres, place the anti-drip stopper in the closed position. Switch the juicer on and pour approximately 300mls water down the feed tube. Operate the juicer for approximately 20 seconds, place the juice jug under the juice spout and open the stopper to allow the water to flow out.
- Always clean the filter basket immediately after juicing.
- Use the brush supplied to clean the filter. For best results, rinse under water and brush until clear.

### wiper holder

- The wipers in the filter holder can be removed for cleaning (**L**). To assemble, Insert the upper/lower wipers into the gap of the filter holder and secure (**M**). Ensure that the wipers are replaced and fitted correctly before assembling the juicer.

The dishwasher safe parts can be washed on the top rack of your dishwasher.	
Item	Suitable for dishwashing
Food pusher	X
Lid	X
Filter	✓
Scroll	✓
Juicing bowl	X
Wiper holder	X
Juice jug	✓
Pulp collector	✓
Juice jug sieve	✓
Sorbet attachment	✓

## service & customer care

- If the cord is damaged it must, for safety reasons, be replaced by KENWOOD or an authorised KENWOOD repairer.

**If you experience any problems with the operation of your appliance, before calling for assistance refer to the troubleshooting guide or visit [www.kenwoodworld.com](http://www.kenwoodworld.com).**

If you need help with:

- using your appliance or
  - servicing or repairs (in or out of guarantee)
- ☎ call Kenwood customer care on **023 9239 2333. Have your model number ready (e.g. TYPE JMP60) and date code (5 digit code e.g. 13L35) ready.** They are on the underside of your juicer.
- **spares and attachments**
- ☎ call 0844 557 3653.

### other countries

- If you experience any problems with the operation of your appliance, before requesting assistance refer to the “troubleshooting guide” section in the manual or visit [www.kenwoodworld.com](http://www.kenwoodworld.com).
- Please note that your product is covered by a warranty, which complies with all legal provisions concerning any existing warranty and consumer rights in the country where the product was purchased.
- If your Kenwood product malfunctions or you find any defects, please send it or bring it to an authorised KENWOOD Service Centre. To find up to date details of your nearest authorised KENWOOD Service centre visit [www.kenwoodworld.com](http://www.kenwoodworld.com) or the website specific to your Country.
- Designed and engineered by Kenwood in the UK.
- Made in China.



### **IMPORTANT INFORMATION FOR CORRECT DISPOSAL OF THE PRODUCT IN ACCORDANCE WITH THE EUROPEAN DIRECTIVE ON WASTE ELECTRICAL AND ELECTRONIC EQUIPMENT (WEEE)**

At the end of its working life, the product must not be disposed of as urban waste.

It must be taken to a special local authority differentiated waste collection centre or to a dealer providing this service.

Disposing of a household appliance separately avoids possible negative consequences for the environment and health deriving from inappropriate disposal and enables the constituent materials to be recovered to obtain significant savings in energy and resources.

As a reminder of the need to dispose of household appliances separately, the product is marked with a crossed-out wheeled dustbin.

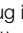
### guarantee (UK only)

If your appliance goes wrong within one year from the date you bought it, we will repair or replace it free of charge provided:

- you have not misused, neglected or damaged it;
- it has not been modified (unless by Kenwood);
- it is not second-hand;
- it has not been used commercially;
- you have not fitted a plug incorrectly; and
- **you supply your receipt to show when you bought it.**

This guarantee does not affect your statutory rights.

## troubleshooting guide

<b>Problem</b>	<b>Cause</b>	<b>Solution</b>
The juicer will not start/does not operate.	<ul style="list-style-type: none"> <li>No power.</li> <li>Juicing bowl not properly aligned on power unit or lid not locked correctly.</li> </ul>	<ul style="list-style-type: none"> <li>Make sure the appliance is plugged in.</li> <li>Check that all parts are fitted correctly.</li> </ul>
The juicer has stopped during normal operation.	<ul style="list-style-type: none"> <li>Clogging in filter and scroll.</li> <li>Food not cut into small enough pieces.</li> </ul>	<ul style="list-style-type: none"> <li>Press the reverse button for 3-5 seconds. Repeat the process 2-3 times until blockage cleared.</li> <li>Do not attempt to open the lid by force.</li> <li>Switch off, unplug and remove the lid. Check if any clogging. Remove food if necessary and continue juicing.</li> </ul>
	<ul style="list-style-type: none"> <li>Juicer overloaded or overheated due to heavy load.</li> </ul>	<ul style="list-style-type: none"> <li>Switch off, unplug and take the juicer apart. Clear and reassemble the juicer.</li> <li>Plug in and press the "reset" button  and hold for 1-2 seconds and start operation as normal.</li> </ul>
Juice is leaking from underneath the bowl.	<ul style="list-style-type: none"> <li>Pulp stopper not fitted or has come loose during operation.</li> </ul>	<ul style="list-style-type: none"> <li>Check that the pulp outlet stopper is fitted correctly.</li> </ul>
Juice does not exit juicing outlet.	<ul style="list-style-type: none"> <li>Anti-drip stopper closed.</li> </ul>	<ul style="list-style-type: none"> <li>Remove stopper and allow juice to flow into juice container.</li> </ul>
Too much pulp coming out in juice.	<ul style="list-style-type: none"> <li>Filter or scroll clogging.</li> <li>Very fibrous fruit/vegetable being processed.</li> </ul>	<ul style="list-style-type: none"> <li>Cut food, especially fibrous foods, into smaller pieces to avoid the fibres wrapping around the scroll.</li> <li>Use the clip on sieve provided if a smoother juice is required. Empty after processing 1kg of fruit/vegetables.</li> </ul>
Wiper holder not rotating.	<ul style="list-style-type: none"> <li>Filter or scroll not located correctly.</li> </ul>	<ul style="list-style-type: none"> <li>Check and ensure juicer assembled correctly.</li> </ul>
There is a squeaking noise when juicing.	<ul style="list-style-type: none"> <li>Friction between wiper holder and bowl.</li> </ul>	<ul style="list-style-type: none"> <li>Normal operation.</li> <li>Do not operate the juicer empty.</li> </ul>
Staining on juicing parts.	<ul style="list-style-type: none"> <li>Natural colouring from food.</li> </ul>	<ul style="list-style-type: none"> <li>Rubbing with a cloth dipped in vegetable oil will help to remove discolouring.</li> </ul>

## دليل استكشاف الأخطاء وإصلاحها

المشكلة	السبب المحتمل	الحل
العصارة لا تبدأ العمل/لا يمكن تشغيلها	<ul style="list-style-type: none"> <li>لا توجد طاقة.</li> <li>لم تتم محاذاة سلطانية العصر بشكل صحيح على وحدة الطاقة (الموتور) أو الغطاء العلوي لم يتم قفله بشكل صحيح.</li> </ul>	<ul style="list-style-type: none"> <li>تأكد من توصيل الجهاز بمصدر التيار الكهربائي.</li> <li>تأكد من تركيب جميع الأجزاء بشكل صحيح.</li> </ul>
توقفت العصارة عن العمل أثناء التشغيل العادي.	<ul style="list-style-type: none"> <li>هناك انسداد في المرشح واللولب.</li> <li>لم يتم تقطيع الثمار إلى قطع صغيرة بشكل مناسب.</li> </ul>	<ul style="list-style-type: none"> <li>اضغطي على زر التشغيل العكسي لمد 3 إلى 5 ثوان. كرر هذه الخطوة 2 إلى 3 مرات لحين حل مشكلة الانسداد.</li> <li>لا تحاولي فتح الغطاء العلوي بالقوة.</li> <li>أوقفي تشغيل الجهاز، وافصله عن مصدر التيار الكهربائي وأزيلي الغطاء العلوي. تأكد من وجود انسداد.</li> <li>أزيلي المكونات حسب الحاجة وتابعي عملية العصر.</li> </ul>
العصارة محملة فوق سعتها القصوى أو ارتفعت درجة حرارتها بشكل كبير نتيجة الحمل.	<ul style="list-style-type: none"> <li>العصارة محملة فوق سعتها القصوى أو ارتفعت درجة حرارتها بشكل كبير نتيجة الحمل.</li> </ul>	<ul style="list-style-type: none"> <li>أوقفي تشغيل العصارة وافصلها عن مصدر التيار الكهربائي ثم فكي أجزائها. أفرغي العصارة ثم أعيدي تجميعها.</li> <li>أعيدي توصيل العصارة بمصدر التيار الكهربائي ثم اضغطي على زر إعادة التشغيل ② مع الاستمرار لمدة 1 إلى 2 ثانية ثم ابدي العملية العصر بالشكل العادي.</li> </ul>
يتسرب العصير من أسفل السلطانية.	<ul style="list-style-type: none"> <li>لم يتم تركيب مانع اللب أو أصبح مفتوحاً أثناء التشغيل.</li> </ul>	<ul style="list-style-type: none"> <li>تأكد من تركيب مانع مخرج اللب بشكل صحيح.</li> </ul>
العصير لا يخرج من مخرج العصير.	<ul style="list-style-type: none"> <li>صمام منع التنقيط مقفول.</li> </ul>	<ul style="list-style-type: none"> <li>أزيلي المانع واسمحي للعصير بالتدفق إلى دورق العصير.</li> </ul>
كمية كبيرة من اللب تخرج مع العصير.	<ul style="list-style-type: none"> <li>هناك انسداد في المرشح أو اللولب.</li> <li>يتم عصر فاكهة/خضراوات غنية بالألياف.</li> </ul>	<ul style="list-style-type: none"> <li>قطعي الثمرات وخاصة الثمار اللينة إلى قطع صغيرة لتجنب التقاف الألياف حول اللولب.</li> <li>استخدمي المصفاة إذا أردتي الحصول على عصير مصفى.</li> <li>أفرغي المصفاة بعد عصر 1 كغم من الفاكهة/الخضراوات.</li> </ul>
حامل الخفاقة لا يدور.	<ul style="list-style-type: none"> <li>لم يتم تركيب المرشح أو اللولب بشكل صحيح.</li> </ul>	<ul style="list-style-type: none"> <li>افحصي وتأكد من تركيب العصارة بشكل صحيح.</li> </ul>
هناك صوت ضوضاء كالصير أثناء العصر.	<ul style="list-style-type: none"> <li>هناك احتكاك بين حامل الخفاقة والسلطانية.</li> </ul>	<ul style="list-style-type: none"> <li>أمر طبيعي.</li> <li>لا تشغلي العصارة وهي فارغة.</li> </ul>
توجد بقع على أجزاء العصارة.	<ul style="list-style-type: none"> <li>تلون طبيعي نتيجة المكونات المعصورة.</li> </ul>	<ul style="list-style-type: none"> <li>امسحي الأجزاء بقطعة قماش مغموسة في زيت نباتي لإزالة تغيير اللون.</li> </ul>



**معلومات هامة هو الكيفية الصحيحة للتخلص من  
المنتج وفقاً لتوجيهات الاتحاد الأوروبي المتعلقة  
بنفايات المعدات الكهربائية والإلكترونية  
(WEEE)**

في نهاية العمر التشغيلي للجهاز، يجب عدم التخلص من الجهاز في نفايات المناطق الحضرية.  
بل يجب أخذه إلى مركز تجميع خاص بجهة محلية متخصصة في التخلص من هذه النفايات أو إلى تاجر يقدم هذه الخدمة.  
التخلص من الأجهزة المنزلية على نحو منفصل، يجنب الآثار السلبية المحتملة على البيئة والصحة والتي تنتج عن التخلص من هذه النفايات بطريقة غير مناسبة، كما أن هذه العملية تسمح باسترداد المواد المكونة الأمر الذي يتيح الحصول على وفورات كبيرة في مجال الطاقة والموارد. للتذكير بضرورة التخلص من الأجهزة المنزلية على نحو منفصل، يوجد على الجهاز صورة مشطوبة لسلة قمامة ذات عجلات.

## العناية والتنظيف

العنصر	مناسب للغسل في غسالة الأطباق
عصا دفع المكونات	X
الغطاء العلوي	X
المرشح	✓
اللولب	✓
سلطانية العصر	X
حامل الخفاقة الدوارة	X
دورق العصير	✓
مجمع اللب	✓
مصفاة دورق العصير	✓
ملحق الشربيات	✓

## الصيانة والعناية بالعملاء

- في حالة تلف السلك الكهربائي، يجب استبداله لأسباب متعلقة بالسلامة من قبل KENWOOD أو مركز صيانة معتمد من قبل KENWOOD.
- في حالة مواجهة أية مشكلة متعلقة بتشغيل الجهاز، قبل الاتصال لطلب المساعدة، يرجى مراجعة قسم «دليل اكتشاف المشكلات وحلها» في الدليل أو زيارة موقع الويب [www.kenwoodworld.com](http://www.kenwoodworld.com).
- يرجى الملاحظة بأن جهازك مشمول بضمان، هذا الضمان يتوافق مع كافة الأحكام القانونية المعمول بها والمتعلقة بحقوق الضمان والمستهلك في البلد التي تم شراء المنتج منها.
- في حالة تعطل منتج Kenwood عن العمل أو في حالة وجود أي عيوب، فيرجى إرساله أو إحضاره إلى مركز خدمة معتمد من KENWOOD. للحصول على معلومات محدثة حول أقرب مركز خدمة معتمد من KENWOOD، يرجى زيارة موقع الويب [www.kenwoodworld.com](http://www.kenwoodworld.com)، أو موقع الويب المخصص لذلك.
- تصميم وتطوير Kenwood في المملكة المتحدة.
- صنع في الصين.

- أوقف دائماً تشغيل العصارة وافصلها عن مصدر التيار الكهربائي ثم فكّي أجزائها قبل التنظيف.
- قد يحدث تلون في أجزاء العصارة عند استخدام مكونات مثل الجزر أو الخضراوات الورقية. تنظيف كل الأجزاء فور الانتهاء من الاستخدام يساعد على إزالة البقع.
- لا تنظفي مخرج اللب أو المرشح باستخدام جسم مديب حاد مثل طرف السكين، فقد يتسبب ذلك في تلف السلطانية. استخدمى طرف مقبض فرشاة التنظيف لتنظيف الخارج.
- وحدة الطاقة (الموتور)
- مسح بقعة قماش رطبة ثم التجفيف.
- لا تخمريها في الماء.
- المرشح
- للمساعدة في إزالة اللب والألياف، ضعي مانع التكتيق في موضع القفل. شغلي العصارة وصبي ما يقرب من ٣٠٠ مللي من الماء عبر أنبوب إدخال المكونات. شغلي العصارة لمدة ٢٠ ثانية تقريباً، ضعي دورق العصير أسفل فتحة تدفق العصير ثم اقتحي صمام مانع التكتيق لإخراج الماء.
- نظفي دائماً أسطوانة الترشيح فور الانتهاء من عملية العصر.
- استخدمى الفرشاة المزودة لتنظيف المرشح. للحصول على أفضل النتائج، اشطفيها تحت الماء ونظفيها بالفرشاة لحين تنظيفها بشكل كامل.
- حامل الخفاقة الدوارة
- يمكن إزالة الخفاقة عن حامل المرشح لتنظيفها (L). للتجميع، أدخل الخفاقة العلوية/السفلية داخل التجويف الموجود في حامل المرشح وثبتها في موضع التعشيق (M). تأكدي من إعادة تركيب وتثبيت الخفاقة بشكل صحيح قبل تجميع العصارة.

## جدول توصيات الاستخدام

تلميحات ونصائح	التجهيز	الفاكهة/الخضراوات
للحصول على أكبر كمية من العصير المستخرج، من الأفضل عصر المكونات الصلبة في درجة حرارة الغرفة.	قطعي الثمرة إلى قطع تناسب أنبوب إدخال المكونات.	التفاح
	قطعي الثمرة إلى قطع تناسب أنبوب إدخال المكونات.	الجزر
لمنع انسداد المرشح، نظفيه بعد عصر كل ثمرة أناناس كبيرة.	أزيلي الأوراق والسيقان عن طريق قطع رأس الثمرة وقاعدتها. ثم قطعي الثمرة بطول مناسب.	الأناناس
اعصري كمية مساوية لقبضة اليد في كل مرة للحصول على أكبر كمية من العصير.	أزيلي سيقان العنب.	عنب خالي من البذور
يكون العصير الناتج ثخيناً ويحتوي على اللب وليس عصيراً صافياً.	قطعي الثمرة إلى قطع تناسب أنبوب إدخال المكونات.	الطماطم
العصير الناتج يكون ثخيناً جداً.	أزيلي القشرة الصلبة ونواة الثمرة.	المانجو
–	أزيلي القشرة الصلبة للثمرة.	البطيخ
–	قطعي الثمرة إلى قطع تناسب أنبوب إدخال المكونات.	الكيوي
اعصري كمية مساوية لقبضة اليد في كل مرة للحصول على أكبر كمية من العصير.	اعصري الثمرة بأكملها.	التوت اللين – (التوت و التوت الأسود وغيرها من الفواكه بنفس القوام) التوت الأكثر صلابة – (التوت الأزرق والتوت البري وغيرها من الفواكه بنفس القوام)
–	أزيلي أوراق الثمرة وقشريها.	البنجر (نيء)
–	لفي الأوراق في شكل حفنة.	الخضراوات الورقية – السبانخ، اللفت والخضراوات العشبية
–	اعصري الثمرة بأكملها.	الكرفس
–	قطعي الثمرة إلى قطع تناسب أنبوب إدخال المكونات.	الخيار
–	قشري الثمرة وأزيلي اللب الأبيض.	الموالح - البرتقال
–	أزيلي البذور أو النوى الصلب قبل العصر.	الفاكهة ذات البذور أو النوى الصلب (النكتارين، الخوخ، الكرز، وما شابه)
–	افتحي الثمرة عن طريق شق القشرة الخارجية ثم قسميها. اغمري الثمرة في سلطانية كبيرة بها ماء بارد وأزيلي البذور عن اللب (سيساعد ذلك على تخليص البذور حيث ستترسب البذور في قاع السلطانية ويطفو اللب على الوجه).	الرمان

## تلميحات ونصائح خاصة بملحقات الشربيات

- أزيل القشر الصلب والبذور عن المكونات قبل تجميدها.
- قطعي الثمار الكاملة مثل التفاح والبرتقال والكيوي إلى قطع بحيث تتناسب مع أنبوب إدخال المكونات قبل تجميدها. جمدي الأجزاء في صورة طبقة واحدة لتجنب تكون كتل صلبة مجمدة.
- المكونات المجمدة التي تحولت إلى كتلة صلبة أثناء التجميد، يجب تهشيمها إلى أجزاء قبل معالجتها.
- يمكنك استخدام مكعبات من الزبادي المجمد مع الفاكهة المختارة لتكوين «حلوى مجمدة» بقوام كريمي.

- توصيات صحية
- لا تتناولي أكثر من ٢٣٠ مل من العصير يومياً إلا في حالة اعتيادك على ذلك.
- خففي العصير بالنسبة للأطفال بكمية ماثلة من الماء.
- العصير الناتج عن الأعشاب والخضراوات ذات اللون الأخضر الداكن (مثل البروكلي والسيانخ وغيرها من الخضراوات) أو الخضراوات ذات اللون الأحمر الداكن (مثل البنجر والكرنب الأحمر وغيرها من الخضراوات) يكون قوي النكهة لذلك يجب تخفيفه.
- عصير الفواكه غني بسكر الفواكه (الفراكتوز) لذلك يجب على مرضى السكر ومن يعانون من انخفاض مستوى السكر في الدم عدم تناول كميات كبيرة منه.

## ملحقات الشربيات (في حالة تزويده داخل صندوق البيع)

- اتركي المكونات المجمدة لمدة ٥ إلى ١٠ دقائق حتى ذوبان الثلج عنها قبل المعالجة. (يعتمد الوقت المستغرق لذوبان الثلج على الفترة التي تم تجميد المكونات فيها داخل المجمد).
- ١ ركبى الأجزاء وفقاً للتعليمات الموضحة في قسم «استخدام العصارة»
- ٢ ركبى ملحقات الشربيات ⑦ بدلاً من حامل الخفاقة ⑤ وسللة الترشيح ④.
- ٣ تأكدي أن صمام منع التنقيط ⑩ في موضع الفتح (J) قبل المعالجة.
- ٤ بعد إضافة آخر قطعة من الثمار المراد معالجتها، اتركي العصارة تعمل حتى توقف تدفق العصير عنها قبل إيقاف تشغيلها.



## استخدام العصارَة

- ١ ركبي مانع اللب (A) في الفتحة الموجودة في الجانب السفلي من سلطانية العصر ⑥ وادفعيه لحين تعشيقه في موضع التثبيت (B).
  - ٢ ركبي سلطانية العصر ⑥ على وحدة الطاقة (الموتور) من خلال محاذاة الرمز ① الموجود على جانب السلطانية مع الرمز ② الموجود على وحدة الطاقة (C). لتعشيق السلطانية، لفهيا في اتجاه عقارب الساعة لحين محاذاة الرمز ③ مع الرمز ④ الموجود على وحدة الطاقة (الموتور) (D).
  - ٣ ضعي اسطوانة الترشيح ④ في حامل الخفاقة الدوارة ⑤ (E).
  - ٤ اخفضي مجموعة حامل الخفاقة الدوارة داخل سلطانية العصر مع محاذاة الرمز ⑤ مع الرمز ⑥ الموجود في الجزء العلوي من وحدة الطاقة (الموتور) (F). تأكدي من تعشيق اسطوانة الترشيح في موضع تثبيتها.
  - ٥ ضعي اللولب ③ في اسطوانة الترشيح واضغطي عليه لأسفل ليستقر في موضع التعشيق (G). ملاحظة: لن يمكن تركيب الغطاء العلوي في حالة عدم الضغط على اللولب بشكل كامل لأسفل في موضع تعشيقه.
  - ٦ ركبي الغطاء العلوي ② على الوحدة مع التأكد من محاذاة الرمز ③ مع الرمز ④ الموجود في الجزء العلوي من وحدة الطاقة (الموتور) (H). ثم لف الغطاء العلوي في اتجاه عقارب الساعة لحين استقراره في موضع التثبيت، عندئذ يتحاذى الرمز ⑤ مع الرمز ⑥ الموجود في الجزء العلوي من وحدة الطاقة (الموتور) (I). أدخل عصى دفع المكونات ① في أبواب إدخال المكونات.
  - ٧ ضعي حاوية اللب ⑧ أسفل فتحة تدفق اللب ⑦ ثم ضعي دورق العصير ⑭ أسفل فتحة تدفق العصير ⑩. تأكدي أن صمام منع التنقيط ① في موضع الفتح (J) قبل العصر.
  - توجد مصفة ⑮ مزودة مع الجهاز، يمكن استخدامه إذا كان من المفضل الحصول على عصير مصفى، ويجب إفراغها عند امتلائها أو بعد الحصول على ١ كغم من العصير.
  - استعيني بجدول توصيات الاستخدام كمرجع استرشادي لعصر مختلف أنواع الفواكه والخضراوات.
  - ٨ شغلي الجهاز ⑬ وأدخلي المكونات المراد عصرها وادفعيها ببطء باستخدام عصى دفع المكونات. ملاحظة: حامل الخفاقة الدوارة مصمم للدوران أثناء تشغيل العصارَة.
  - لاستخلاص أكبر كمية من العصير، ادفعي دائماً المكونات ببطء خلال أبواب إدخال المكونات باستخدام عصى دفع المكونات. لا تدفعي بقوة مفرطة، حيث يجب أن يجب أن يتم سحب المكونات لأسفل عن طريق اللولب.
  - في حالة انحصار المكونات داخل أبواب إدخال المكونات أو على اللولب وتوقف العصارَة عن العمل، ففي هذه الحالة ضعي مفتاح تشغيل العصارَة على موضع الإيقاف «O» ثم اضغطي على زر التشغيل العكسي «R» لحين حل مشكلة انحصار المكونات. بمجرد تحرر المكونات، يمكنك متابعة العصر مرة ثانية.
  - ٩ بعد إضافة آخر قطعة من المكونات، اسمحي للعصارَة باستمرار التشغيل للمساعدة في إخراج العصير من سلطانية العصر. يختلف الوقت اعتماداً على نوع الفاكهة وكثافة العصير المستخرج.
  - ١٠ أوقف تشغيل العصارَة وانتظري حتى يصبح تدفق العصير في صورة قطرات بطيئة. ثم ضعي صمام منع التنقيط ① في الموضع (K) قبل إزالة الدورق.
- راجعي قسم استكشاف المشكلات وحلها في حالة مواجهتك أية مشكلات فيما يتعلق بتشغيل العصارَة لديك.**
- ### تلميحات ونصائح خاصة بالعصارَة
- اغسلي الفواكه والخضراوات جيداً قبل العصر.
  - للحصول على أكبر كمية من العصير، ضعي كميات صغيرة في المرة الواحدة داخل أبواب إدخال المكونات وأضغطي عليها ببطء.
  - المكونات ذات القوام الصلب من الأفضل عصرها في درجة حرارة الغرفة.
  - لا توجد حاجة لإزالة القشر الرقيق عن الفواكه أو الخضراوات المراد عصرها. أزيل فقط القشر السميك الذي لن يتم أكله، على سبيل المثال، قشر البرتقال والأناناس والبطيخ والبنجر غير المطهي.
  - استخدم فواكه وخضراوات طازجة، حيث تحتوي على المزيد من العصير.
  - أزيل النوى والبذور الصلبة عن الكرز والبرقوق وما شابه من الثمار.
  - اختفاء الفيتامينات - كلما تم تناول العصير فور عملية العصر كلما احتفظ العصير بكمية كبيرة من الفيتامينات.
  - إذا أردت تخزين العصير لبضعة ساعات ضعيه داخل الثلاجة. سيبقى العصير بحالة أفضل إذا أضفتي إليه بعض القطرات من عصير الليمون.

- يحذر معالجة المكونات المجمدة التي تحولت إلى كتلة صلبة أثناء التجميد، ولكن هشيمها إلى أجزاء قبل معالجتها.
- ملحق الشربيات غير مناسب لمعالجة مكعبات الثلج.
- يجب الإشراف على الأطفال للتأكد من عدم عبثهم بالجهاز.
- لا يجوز استخدام هذا الجهاز من قبل الأطفال. احتفظي بالجهاز والسلك الكهربائي بعيداً عن متناول الأطفال.
- قد يؤدي سوء استخدام الجهاز إلى حدوث إصابات.
- يحذر ملامسة السلك الكهربائي لأسطح ساخنة أو تركه متديلاً في حالة وجود طفل فقد ينتزعه.
- يمكن استخدام الأجهزة من قبل أشخاص ذوي قدرات جسدية أو حسية أو عقلية منخفضة وممن هم دون خبرة أو معرفة باستخدام الأجهزة في حالة منحهم التعليمات الخاصة بالاستخدام أو الإشراف عليهم بحيث يمكنهم استخدامه بطريقة آمنة مع إدراك المخاطر التي تنطوي على استخدام الجهاز.
- استخدمي الجهاز فقط في الاستخدامات المنزلية المخصص لها. لن تتحمل شركة Kenwood أية مسؤولية في حالة استخدام الجهاز بطريقة غير صحيحة أو عدم الامتثال للتعليمات المذكورة.

## مفتاح الرسم التوضيحي

- ① عصا دفع المكونات
- ② الغطاء العلوي المزود بصينية تجميع
- ③ اللولب
- ④ اسطوانة الترشيح
- ⑤ حامل الخفاقة الدوارة
- ⑥ سلطانية العصر
- ⑦ فتحة تدفق اللب
- ⑧ حاوية اللب
- ⑨ وحدة الطاقة (الموتور)
- ⑩ فتحة تدفق العصير
- ⑪ صمام منع التنقيط
- ⑫ زر إعادة التشغيل
- ⑬ مفتاح On/Off/Reverse (تشغيل/إيقاف/تشغيل عكسي)
- ⑭ دورق العصير
- ⑮ المصفاة
- ⑯ فرشاة التنظيف
- ⑰ ملحق الشربيات (في حالة تزويده داخل صندوق البيع)

- قبل توصيل الجهاز بمصدر التيار الكهربائي
- تأكدي من تماثل مواصفات مصدر التيار الكهربائي لديك مع المواصفات الموضحة على الجانب السفلي للجهاز.
  - تحذير: يجب توصيل هذا الجهاز بالأرضي.
  - يتوافق هذا الجهاز مع تنظيمات الاتحاد الأوروبي 2004/1935 المتعلقة بالمواد والأجسام المتلامسة مع الأطعمة.
- قبل الاستخدام للمرة الأولى
- اغسلي الأجزاء المسموح بغسلها: راجعي قسم "العناية والتنظيف".

## السلامة

- اقربي التعليمات التالية واحتفظي بها في المتناول للاستخدامات المستقبلية المرجعية.
- أزيلتي مكونات التغليف وأية ملصقات.
- لا تستخدمي العصارة في حالة تلف المرشح.
- يحذر غمر وحدة الطاقة (الموتور) أو السلك الكهربائي أو القابس في الماء - قد تصابين بصدمة كهربائية.
- أوقفي تشغيل الجهاز وافصليه عن مصدر التيار الكهربائي:
  - قبل تركيب وإزالة الأجزاء
  - قبل عملية التنظيف
  - بعد الاستخدام.
- يحذر استخدام العصارة في حالة تلفها. في مثل هذه الحالة يجب فحص الجهاز أو إصلاحه: راجعي قسم «الصيانة ورعاية العملاء».
- استخدمتي فقط عصا دفع المكونات المزودة مع الجهاز. يحذر وضع أصابعك داخل أنبوب إدخال المكونات. افصلي العصارة عن مصدر التيار الكهربائي وأزيلتي الغطاء العلوي قبل إزالة انسداد أنبوب إدخال المكونات.
- قبل إزالة الغطاء العلوي، أوقفي تشغيل العصارة وانتظري حتى توقف المرشح.
- لا تتجاوزي سعة تعبئة أنبوب إدخال المكونات ولا تستخدمتي قوة مفرطة لدفع المكونات إلى أسفل الأنبوب - فقد يتسبب ذلك في تلف العصارة.
- لا تستخدمتي فواكه أو خضراوات مجمدة لتحضير العصير. اتركها حتى يذوب الثلج قبل استخدامها.
- لا تقومي بعصر المكونات الصلبة أو المجففة، مثل الحبوب أو الفواكه ذات البذور الصلبة أو الثلج، فقد يتسبب ذلك في تلف العصارة.
- لا تلمسي الأجزاء المتحركة.
- يحذر ترك العصارة دون ملاحظة أثناء التشغيل.
- يحذر استخدام أي ملحقات غير معتمدة.





HEAD OFFICE: Kenwood Limited, 1-3 Kenwood Business Park, New Lane, Havant, Hampshire PO9 2NH

[kenwoodworld.com](http://kenwoodworld.com)

**KENWOOD**

CREATE MORE