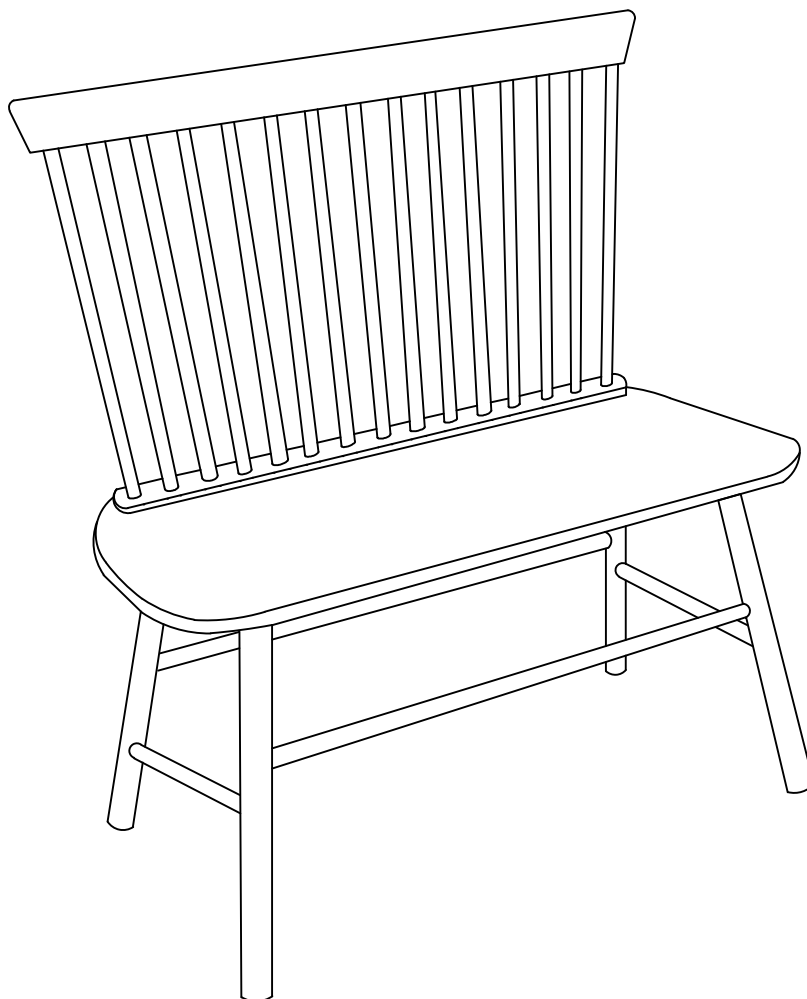


Luna Bench

Assembly Instructions - Please keep for future reference

461 / 8436

hygena



Dimensions

Width - 91.5 cm

Length - 55 cm

Height - 92 cm

Important - Please read these instructions fully before starting assembly

If you need help or have damaged or missing parts, call the **Customer Helpline** :
Argos 0345 640 0800



Safety and care Advice

Important - Please read these instructions fully before starting assembly

- Check you have all the components and tools listed on pages 2 and page 3.
- Remove all fittings from the plastic bags and separate them into their groups.
- Keep children and animals away from the work area, small parts could choke if swallowed.
- Parts of the assembly will be easier with 2 people.
- Make sure you have enough space to layout the parts before starting.
- Assemble the item as close to its final position (in the same room) as possible.
- Dispose of all packaging carefully and responsibly .
- Place the product on flat and steady surface during use.
- Assemble on a soft level surface to avoid damaging the unit or your floor.
- Keep these instructions for further use.
- To ensure an easier assembly, we strongly advise that all fittings are only finger tightened during initial assembly. Only upon completion of the assembly should all fixing points be fully tightened.

Care and maintenance

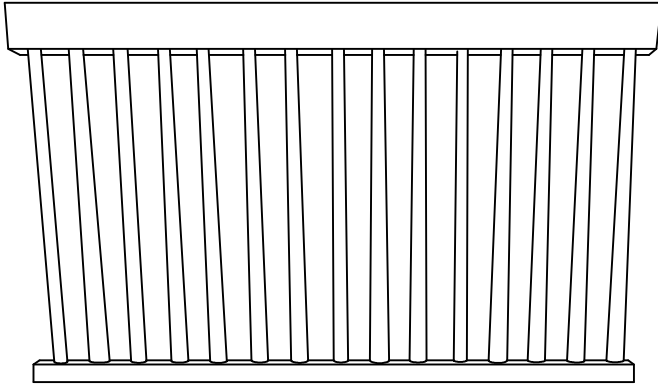
- Only clean using a damp cloth and mild detergent, do not use bleach or abrasive cleaners.
- From time to time check that there are no loose screws on this unit.
- This product should not be discarded with household waste. Take to your local authority waste disposal centre.

Components - Part

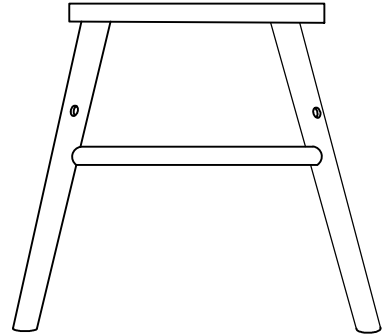
If you have damaged or missing components
, call the Customer Helpline : 0345 640 0800

Please check you have all the parts listed below

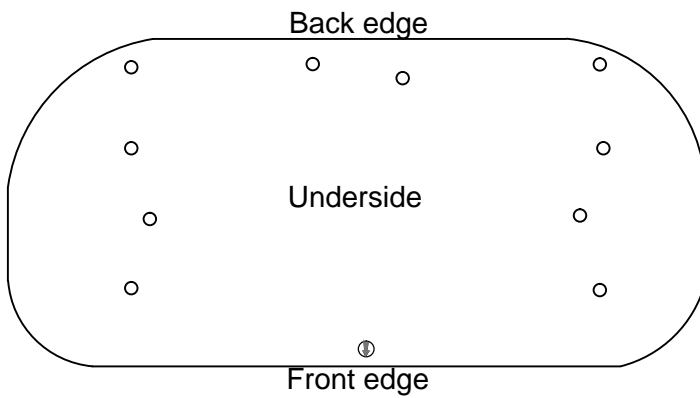
- 1 Back Rest x1
(88.5 x 50 x 2.8cm)



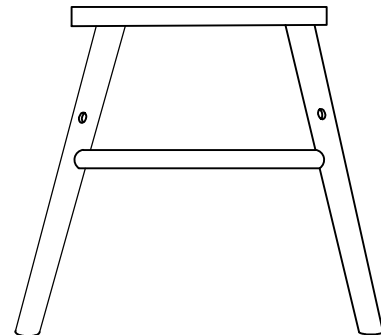
- 3 Left Leg x1
(49 x 43.5 x 4.5cm)



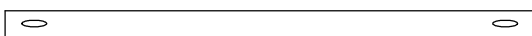
- 2 Seat Pad x1
(91 x 44 x 2cm)



- 4 Right Leg x1
(49 x 43.5 x 4.5cm)



- 5 Stretcher x2
(70 x Ø1.8cm)


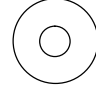

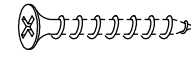



Components - Fittings

If you have damaged or missing components
 , call the Customer Helpline : 0345 640 0800

Please check you have all the parts listed below

Note : The quantites below are the correct amount to complete the assembly. In some cases more fittings may be supplied than are required.

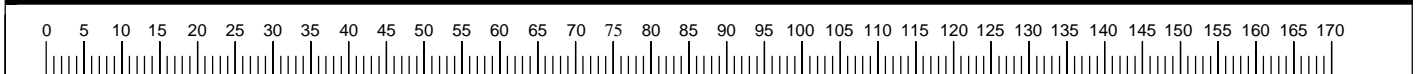
<p>A</p>  <p>M6 x 35mm screw x 10</p>	<p>B</p>  <p>Flat washer x 10</p>	<p>C</p>  <p>Spring washer x 10</p>
<p>D</p>  <p>4 x 32mm CSK screw x 4</p>	<p>E</p>  <p>Allen Key x 1</p>	

Tools required



Ruler/tape
measure

Ruler - Use this ruler to help correctly identify the screws



The screws length is measured from the head to the point (30mm screw shown).

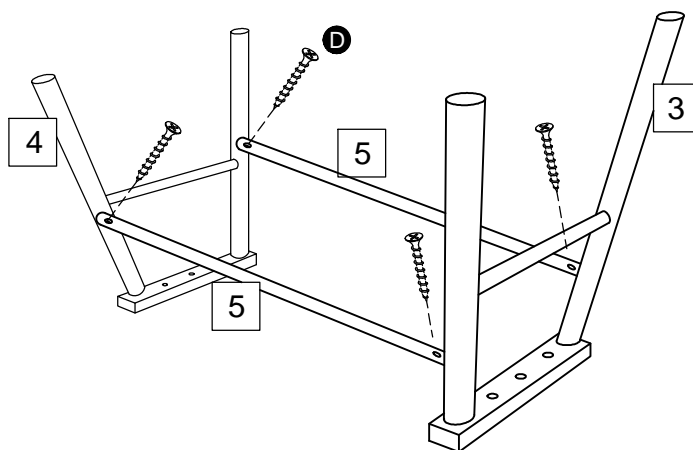
Assembly Instructions

Step 1

Assembling Legs

With help, carefully locate stretchers **5** in between leg frame **3** and **4**.

Partially secure the assembly using screws **D**, but do not fully tighten.



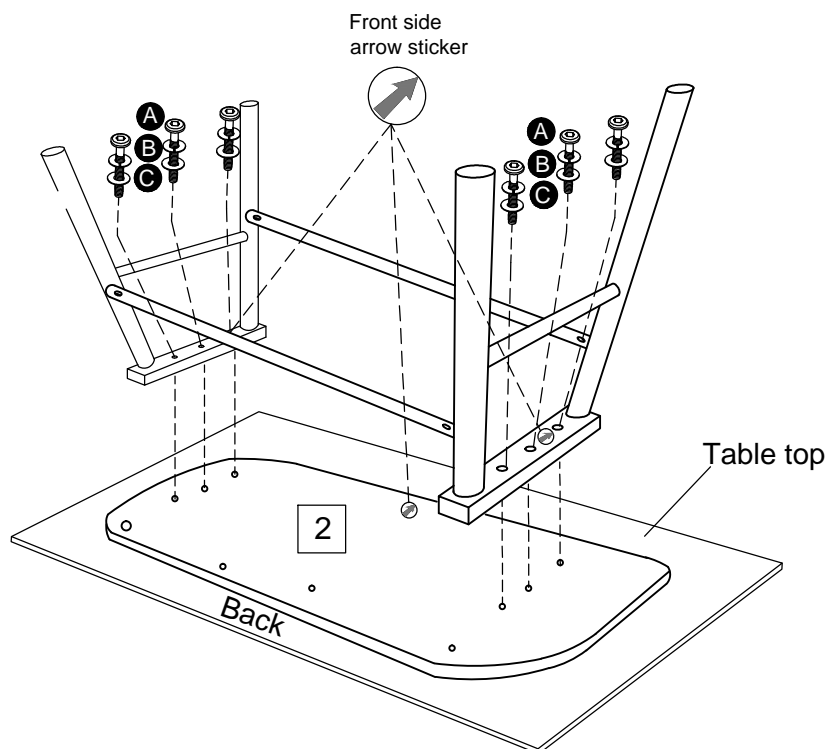
Step 2

Assembling Seat Pad

Place seat pad **2** upside down onto a clean flat surface (i.e edge of table top)

Align the leg frame and secure using fixings **A**, **B** and **C**.

Note : Ensure the arrows on legs **3** and **4** align correctly with the corresponding markings on the underside of seat pad **2**.

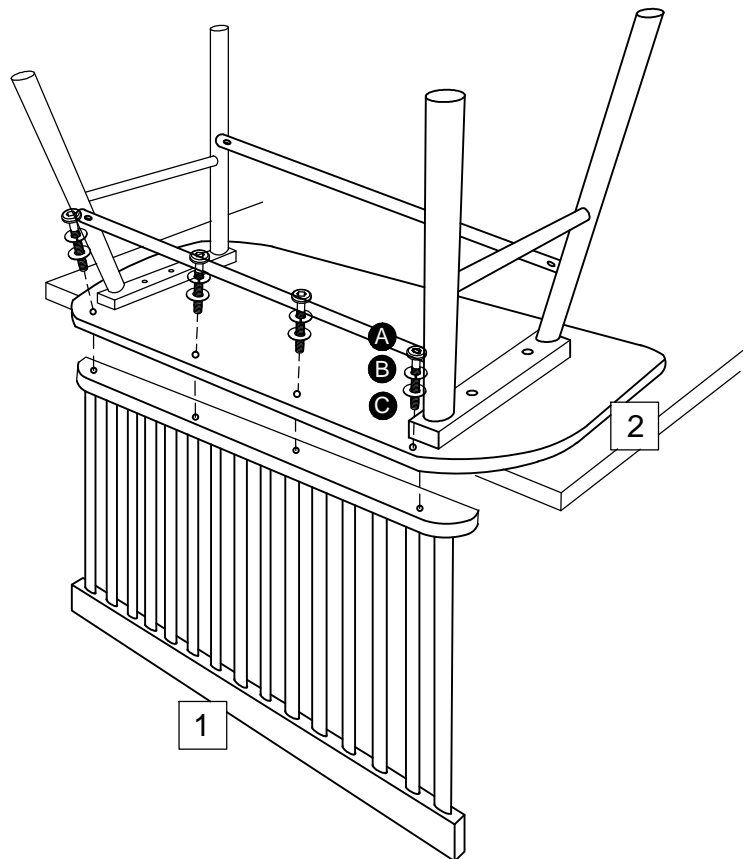


Assembly Instructions

Step 3

Assembling Back Rest

With help assemble back rest **1** to seat pad **2** using fixings **A**, **B** and **C**.

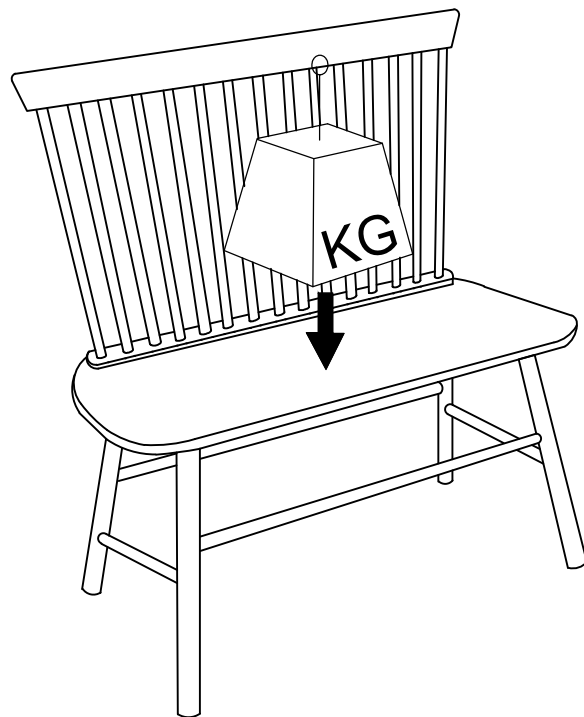


Step 4

With help stand the assembled bench upright.

Whilst applying a firm downward pressure onto the seat to ensure a stable position, go round and fully tighten all fixings from the previous steps.

Assembly is complete



If you need help or have damaged or missing parts, call the **Customer Helpline : 0345 640 0800**