

Assembly Instructions

Step 7

Attaching support bar

a: Fix the Back central support bar **5** to the Headboard **1** with Bolts **C**.

b: Fix the Front central support bar **6** to the Footboard **2** with Bolts **E**.

c: Fix the Central support bar **4** to the Metal side rails **7** and **8** with Bolts **F**.

Now fully tighten all bolts.

Step 8

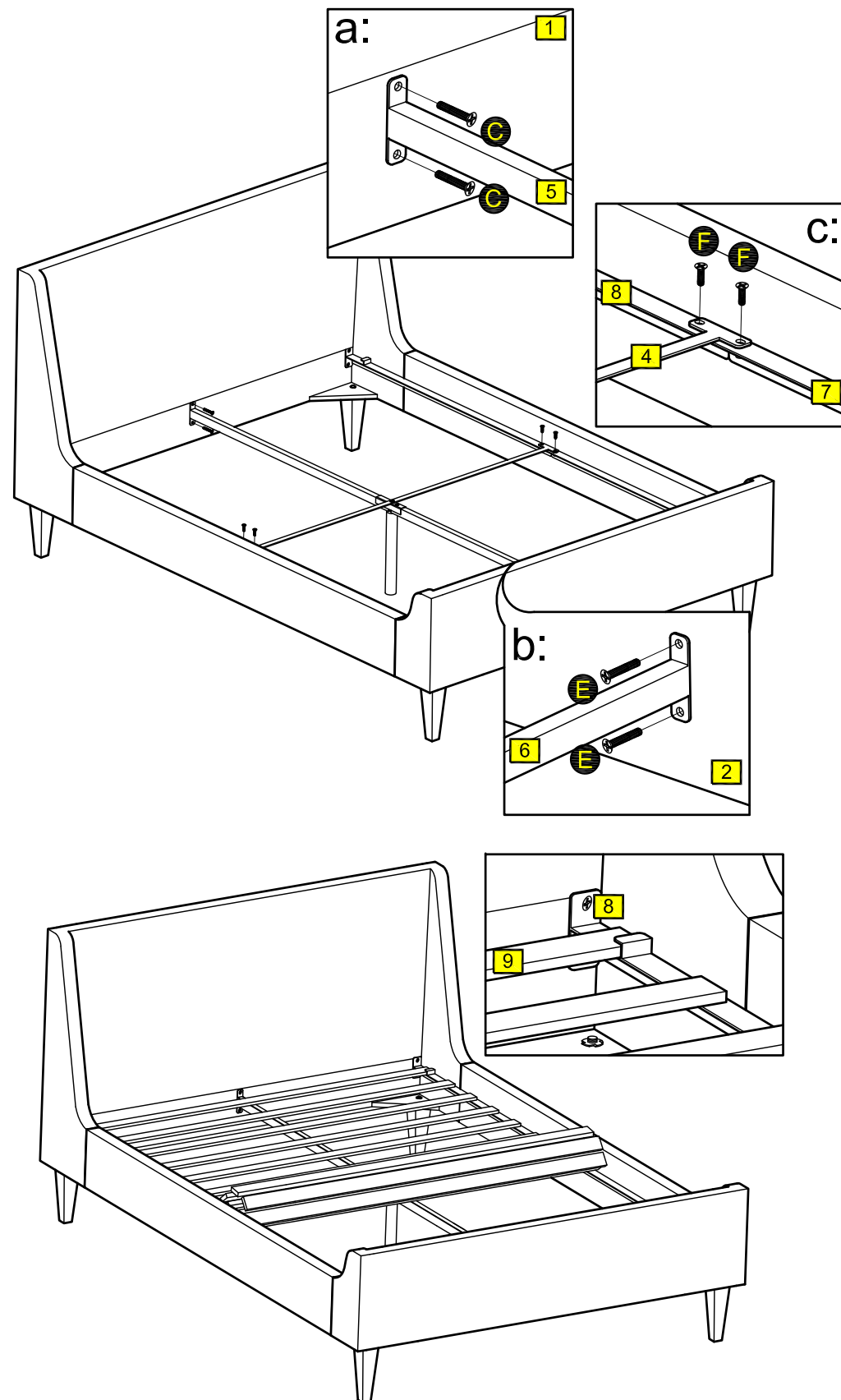
Attaching slats

Two people are needed here.

Roll the slats over the metal side rails, then place the end slat after the metal block attached to the Metal side rails **8** and **7**.

Slats to be rolled out with staples on the underside.

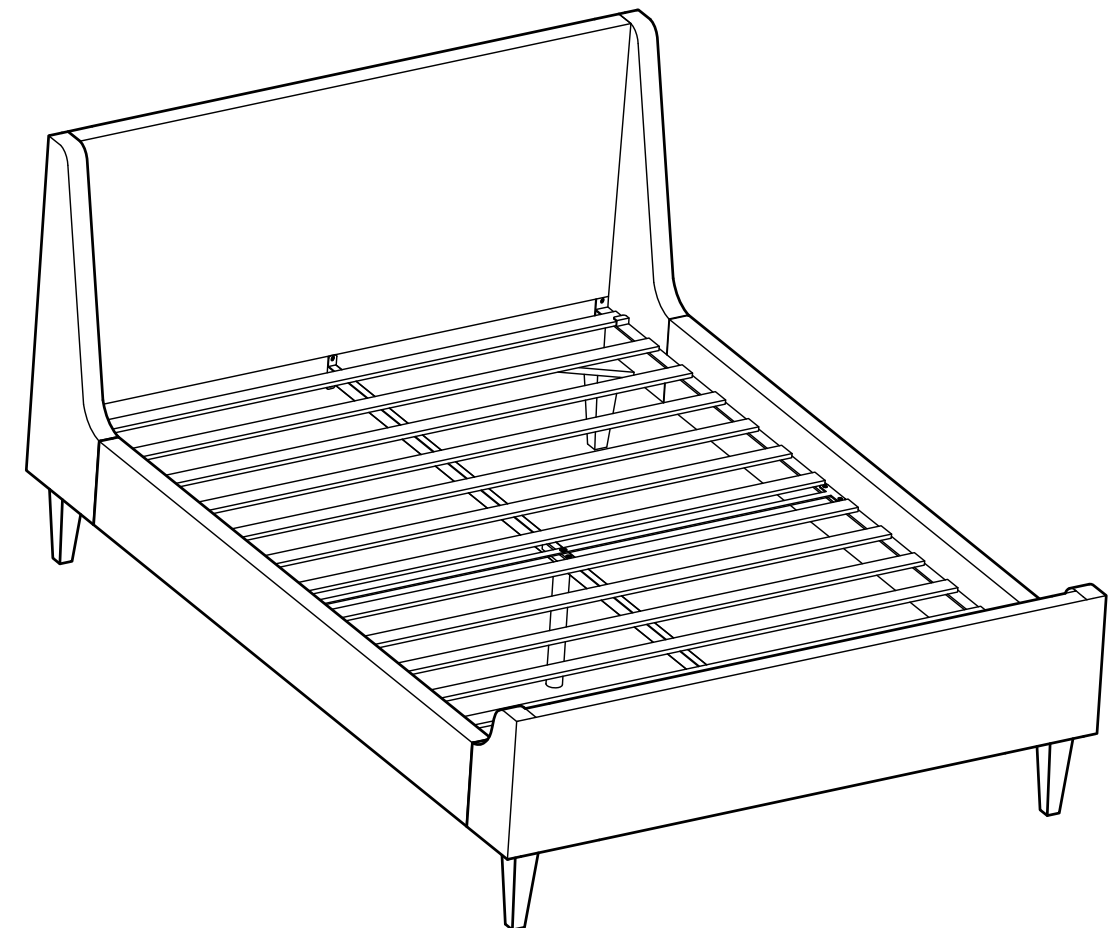
Assembly is now complete.



ODETTE GREY 4FT6

Assembly Instructions - Please keep for future reference

Cat.no 461 / 6665



Dimension

Width - 148cm
Length - 203cm
Height - 101cm

Important - Please read these instructions fully before starting assembly

If you need help or have damaged or missing parts, call the **Customer Helpline: Argos = 0345 640 3030**

If you need help or have damaged or missing parts, call the **Customer Helpline: Argos = 0345 640 3030**

! Safety and Care Advice

Important - Please read these instructions fully before starting assembly

- Check you have all the components and tools listed on pages 2 and 3.
- Remove all fittings from the plastic bags and separate them into their groups.
- Keep children and animals away from the work area, small parts could choke if swallowed.
- Make sure you have enough space to layout the parts before starting.
- Do not stand or put weight on the product, this could cause damage.
- Assemble the item as close to its final position (in the same room) as possible.
- Assemble on a soft level surface to avoid damaging the unit or your floor.
- Parts of the assembly will be easier with 2 people.
- We do not recommend the use of power drill/drivers for inserting bolts as this could damage the unit. Only use hand screwdrivers.
- Dispose of all packaging carefully and responsibly.
- Do not tighten all bolts until bed is fully assembled.



Care and maintenance

- Only clean using a damp cloth and mild detergent, do not use bleach or abrasive cleaners.
- From time to time check that there are no loose bolts on this unit.
- This product should not be discarded with household waste. Take to your local authority waste disposal centre.

Handy Hints

- Assemble all parts and bolts loosely during assembly, only once the product is complete should you fully tighten the bolts.
- Regularly check and ensure that all bolts and fittings are tightened properly.

Note: if required the next page can be cut out and used as reference throughout the assembly. Keep this page with these instructions for future reference.

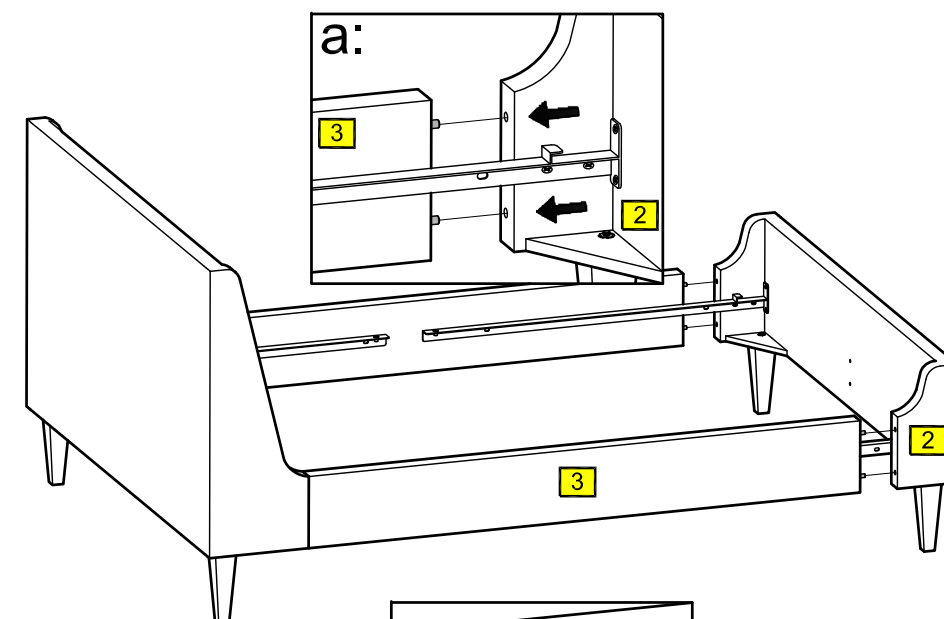
Assembly Instructions

Step 5

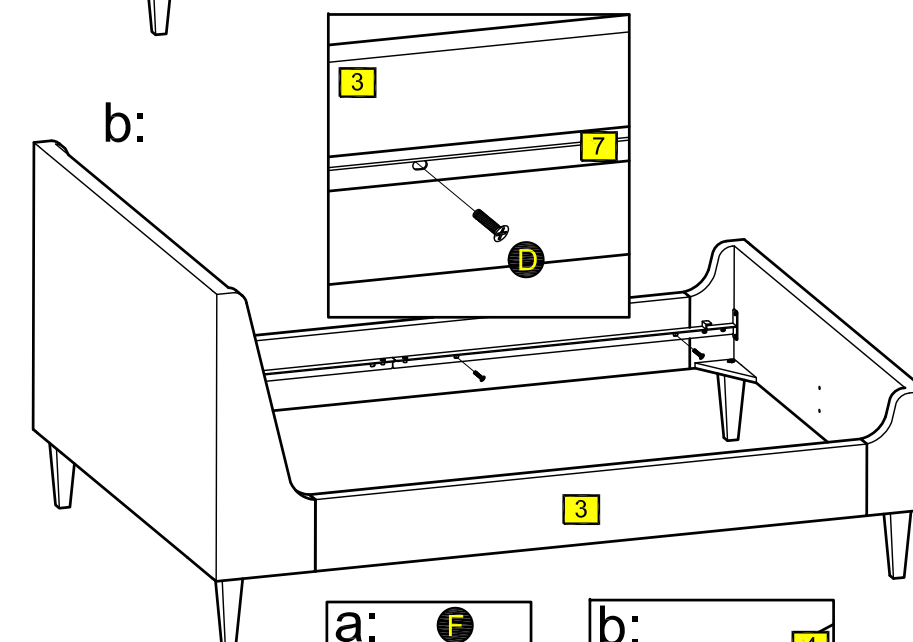
Attaching footboard

Two people are needed here.

a: Connect the Footboard **2** to the Side rails **3** as seen in the picture.



b: Fix the Side rails **3** to the Metal front side rails **7** with Bolts **D**.

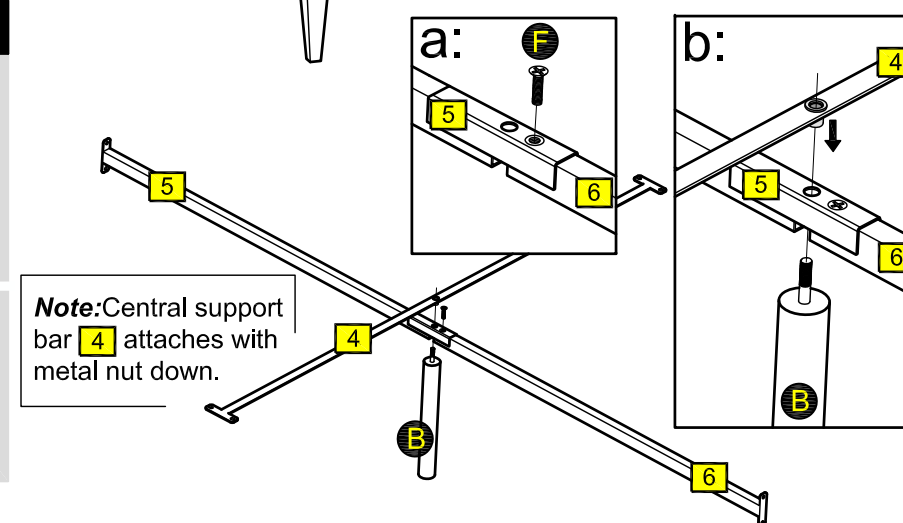


Step 6

Attaching support leg

a: Fix the Back central support bar **5** to the Front central support bar **6** with Bolts **F**.

b: Insert Support leg **B** in middle of Central support bar **5** and **4**, and secure tightly in a clockwise direction.



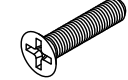
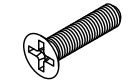
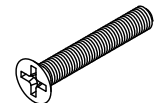
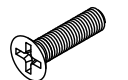


If you need help or have damaged or missing parts, call the **Customer Helpline: Argos = 0345 640 3030**

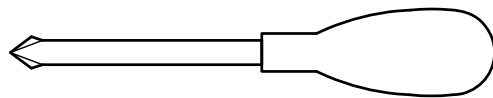
Components - Fittings

Please check you have all the fittings listed below

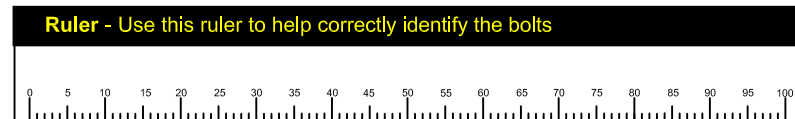
Note: the quantities below are the correct amount to complete the assembly. In some cases more fittings may be supplied than are required.

A Leg x 4		B Support leg x 1		C M6x35 mm Bolt x 6	
D M6x25 mm Bolt x 16		E M6x55 mm Bolt x 6		F M6x20 mm Bolt x 5	

Tools required



Screwdriver (Not supplied)

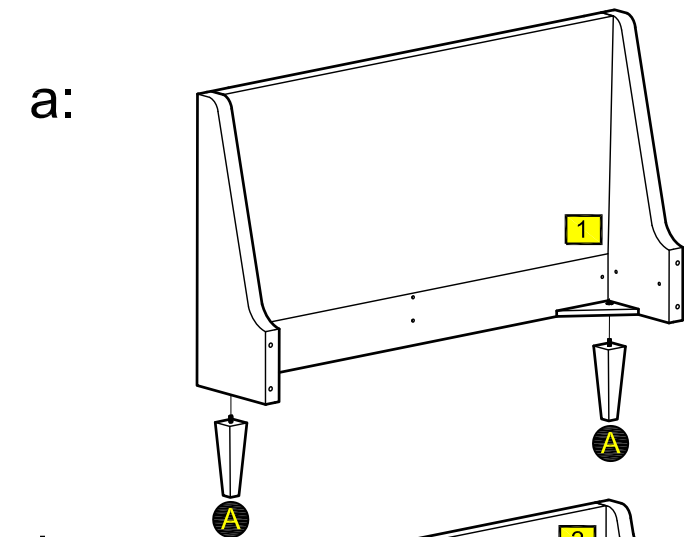


Assembly Instructions

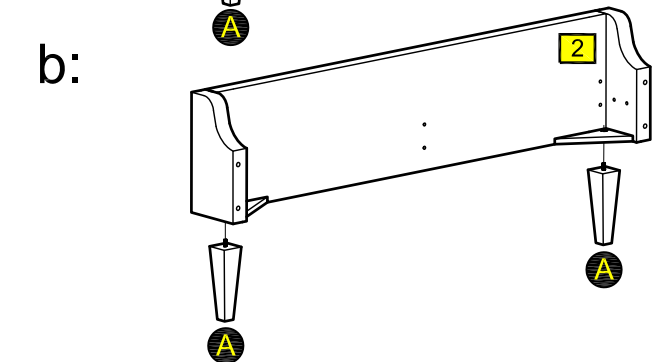
Step 1

Attaching legs

a: Insert Legs **A** into Headboard **1** and secure tightly in a clockwise direction.



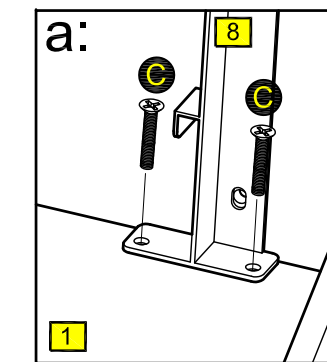
b: Insert Legs **A** into Footboard **2** and secure tightly in a clockwise direction.



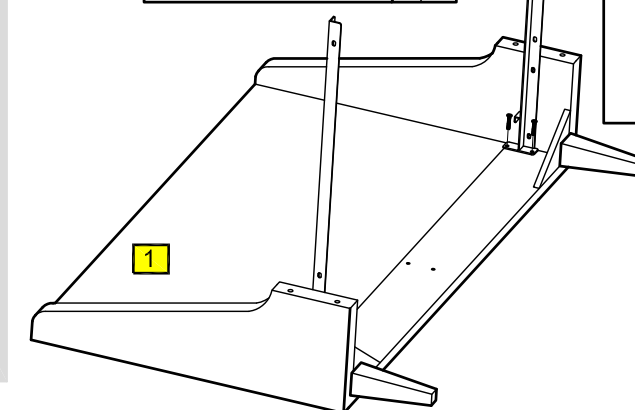
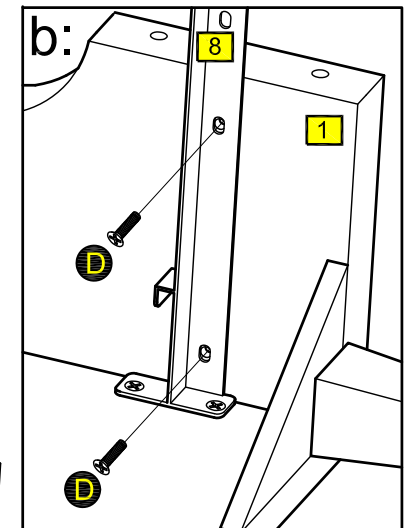
Step 2

Assembling metal side rails

a: Fix the Metal back side rails **8** to the Headboard **1** with Bolts **C**.



b: Fix the Metal back side rails **8** to the Headboard **1** with Bolts **D**.



Note: Parts of the assembly will be easier with 2 people.

If you need help or have damaged or missing parts, call the **Customer Helpline: Argos = 0345 640 3030**

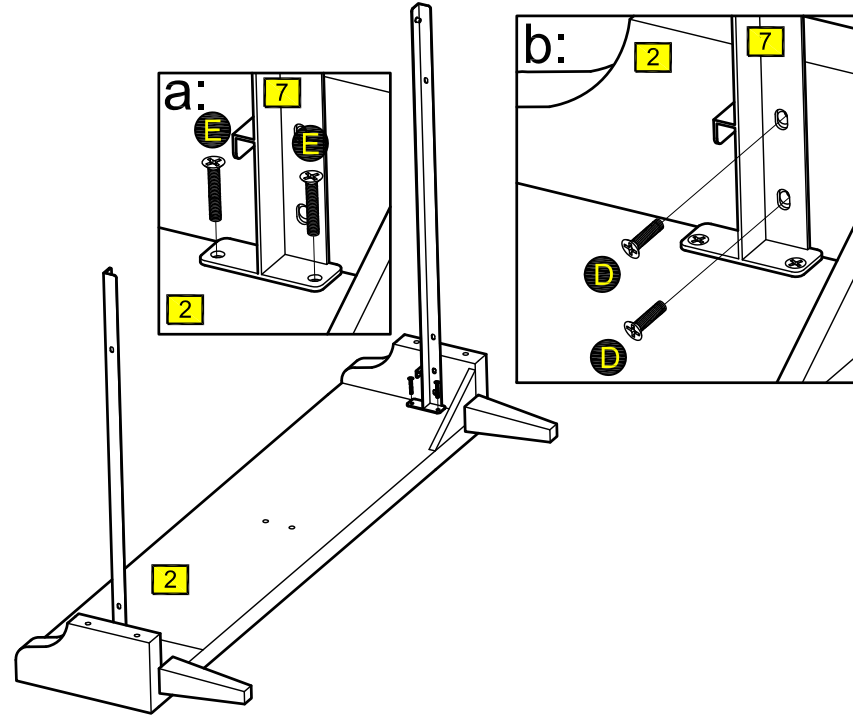
Assembly Instructions

Step 3

Assembling metal side rails

a: Fix the Metal front side rails **7** to the Footboard **2** with Bolts **E**.

b: Fix the Metal front side rails **7** to the Footboard **2** with Bolts **D**.



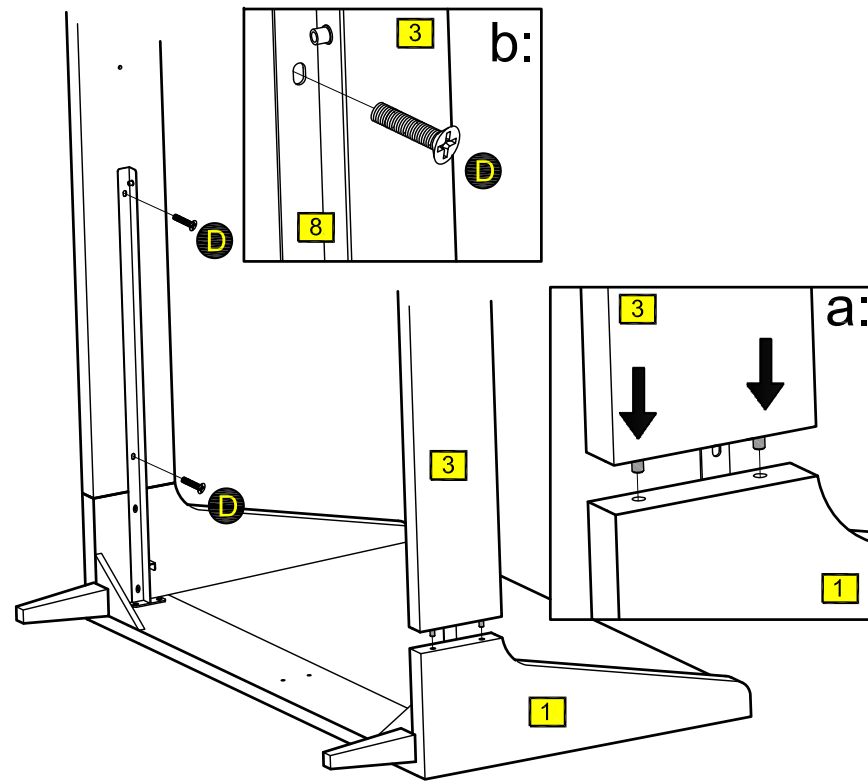
Step 4

Attaching side rails

a: Connect the Side rails **3** to the Headboard **1** as seen in the picture.

b: Fix the Side rails **3** to the Metal back side rails **8** with Bolts **D**.

Note: Do not fully tighten bolts.

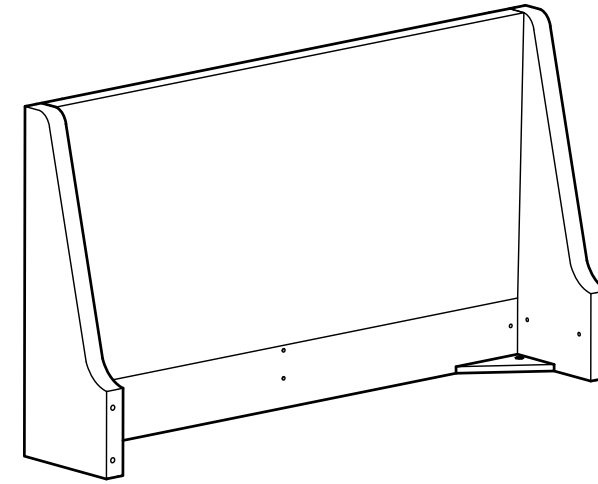


If you need help or have damaged or missing parts, call the **Customer Helpline: Argos = 0345 640 3030**

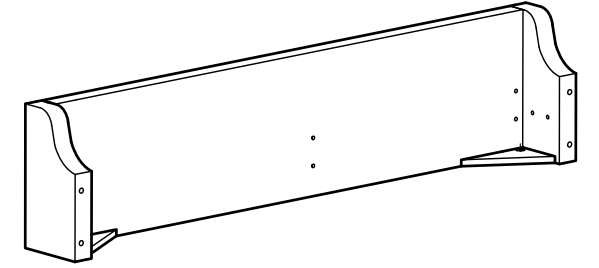
Components - Parts

If you have damaged or missing components, call the **Customer Helpline: Argos = 0345 640 3030**

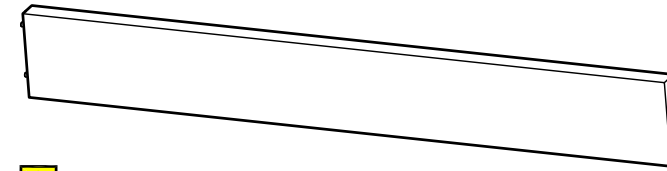
Please check you have all the parts listed below



1 Headboard (148x81cm)



2 Footboard (148x34cm)



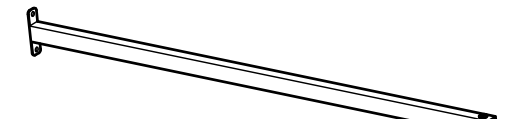
3 Side rail x 2 (160x21cm)



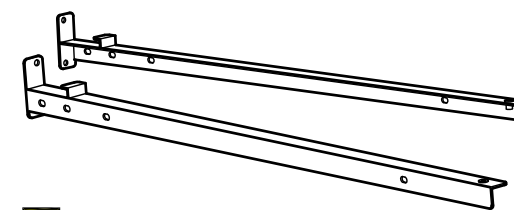
4 Central support bar (136x8cm)



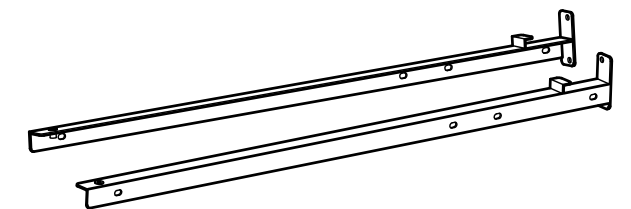
5 Back central support bar (102x8cm)



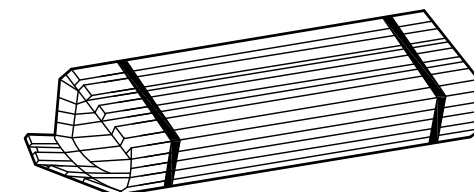
6 Front central support bar (96.5x8cm)



7 Metal front side rail (97x8cm)



8 Metal back side rail (97x8cm)



9 Slats (136.5x4.3cm)

