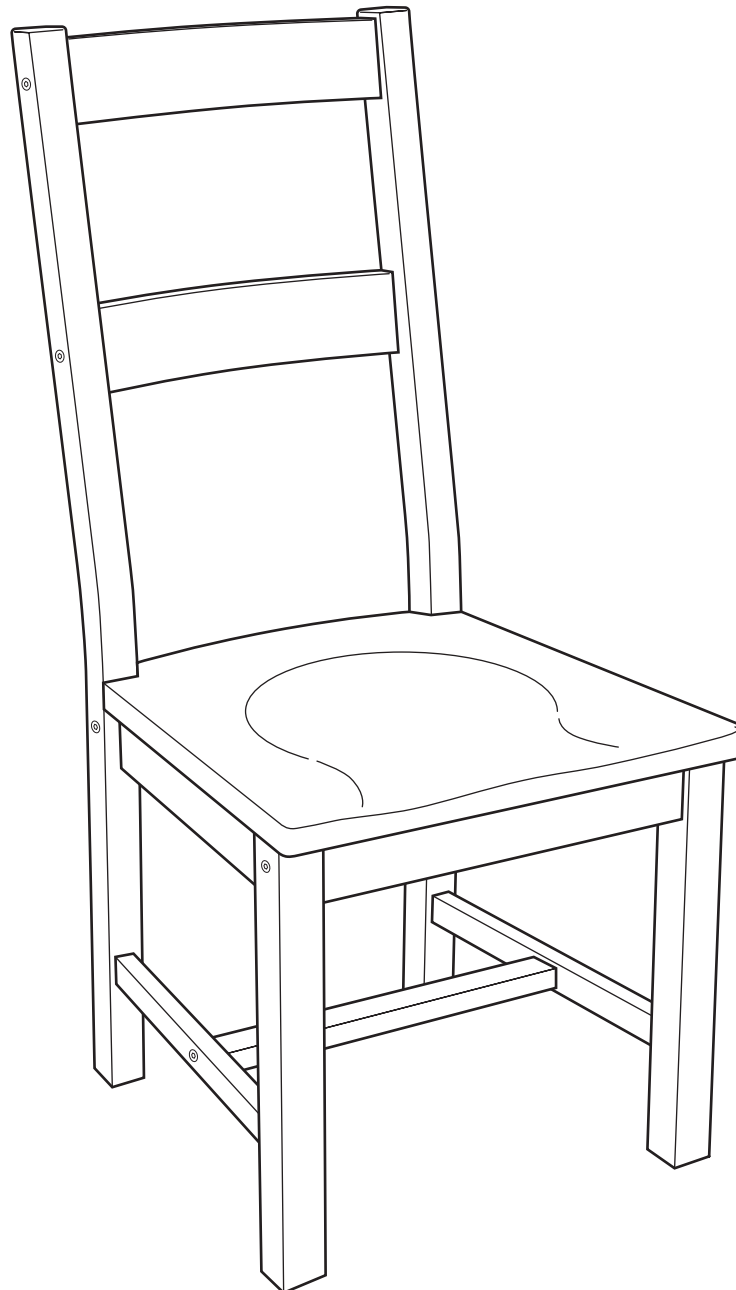


# Arizona Dining Chair

Assembly Instructions - Please keep for future reference

461/6366

THE  
**COLLECTION**  
BY ARGOS



## Dimensions

Width - 44.5cm

Depth - 50cm

Height - 105cm

**Important** - Please read these instructions fully before starting assembly

If you need help or have damaged or missing parts, call the **Customer Helpline:**  
**Argos = 0345 640 0800**



# Safety and Care Advice

**Important** - Please read these instructions fully before starting assembly

- Check you have all the components and tools listed on the following pages.
- Remove all fittings from the plastic bags and separate them into their groups.
- Keep children and animals away from the work area, small parts could choke if swallowed.
- Make sure you have enough space to layout the parts before starting.

- During assembly do not stand or put weight on the product, this could cause damage.
- Assemble the item as close to its final position (in the same room) as possible.
- Assemble on a soft level surface to avoid damaging the unit or your floor.
- Parts of the assembly will be easier with 2 people.



• We do not recommend the use of power drill/drivers **for inserting screws**, as this could damage the unit. Only use hand screwdrivers.

- Unit weight: 5.4 kgs.
- Maximum safe weight of user: 110kgs.

## Care and maintenance

- Only clean using a damp cloth and mild detergent, do not use bleach or abrasive cleaners.
- From time to time check that there are no loose screws on this unit.

- Do not stand on the chair.
- Do not use this chair as step ladder.
- This product should not be discarded with household

waste. Take to your local authority waste disposal centre.

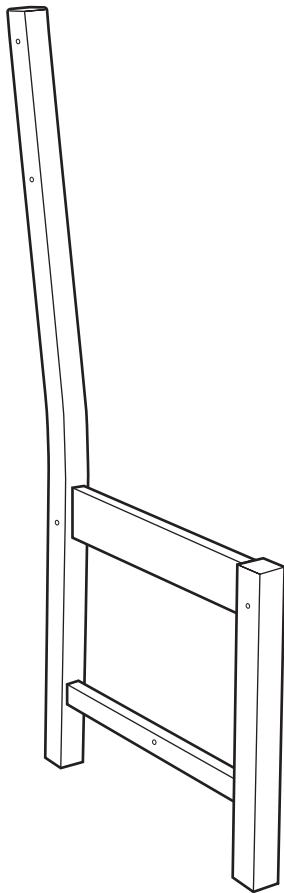
## Handy Hints

- Assemble all parts and bolts loosely during assembly, only once the product is complete should you fully tighten the bolts.
- Regularly check and ensure that all bolts and fittings are tightend properly.

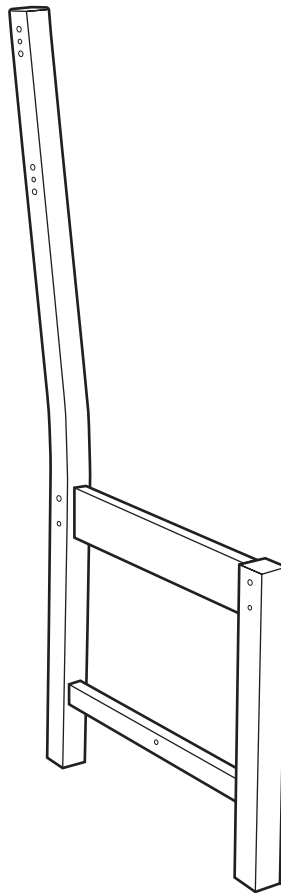
# Components - Parts

If you have damaged or missing components, call the Customer Helpline: Argos = 0345 640 0800

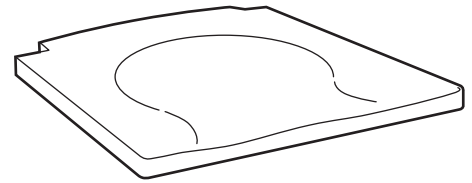
Please check you have all the parts listed below



**1** Left leg frame  
(45 x 4.5 x 105cm)



**2** Right leg frame  
(45 x 4.5 x 105cm)



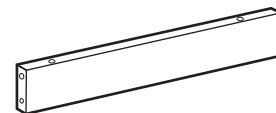
**3** Seat (44.5 x 42.5 x 2.3cm)



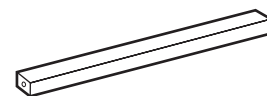
**4** Backrest x 2 (29.5 x 7.8 x 1.8cm)



**5** Back seat rail (29.5 x 5 x 1.8cm)



**6** Front seat rail (33 x 5 x 1.8cm)

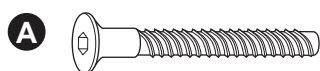


**7** Stretcher (33.8 x 3 x 1.8cm)

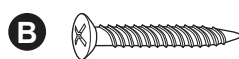
# Components - Fittings

Please check you have all the fittings listed below

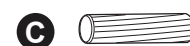
**Note:** The quantities below are the correct amount to complete the assembly of 1 chair. In some cases more fittings may be supplied than are required.



**A** M7 x 70mm Bolt x 10



**B** Screw x 4



**C** Wood dowel x 12

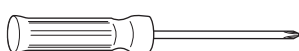


**D** Allen key x 1



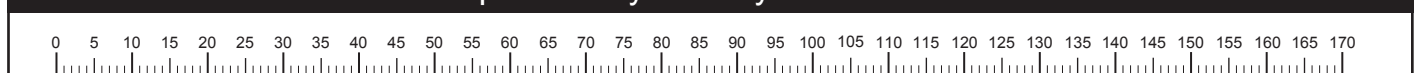
**E** Foot Pads x 4

## Tools required



Crosshead screwdriver

**Ruler** - Use this ruler to help correctly identify the screws

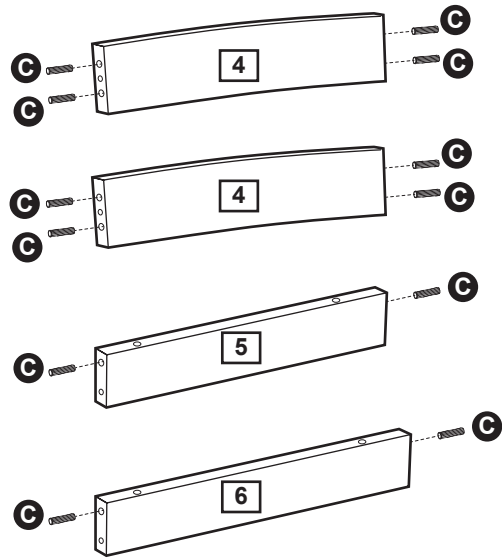
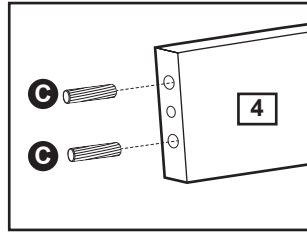


# Assembly Instructions

## Step 1

### Fitting dowels

Insert wooden dowels **C** into holes on the backrests **4**, back seat rail **5** and front seat rail **6** as shown.



## Step 2

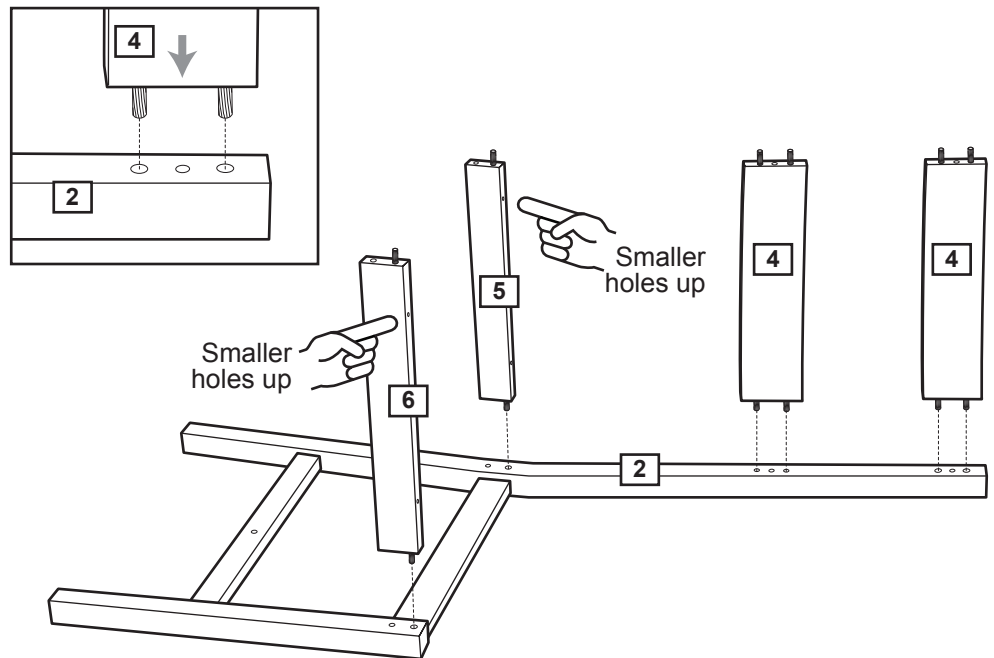
### Attaching back rest and seat rails

Position the backrests **4**, back seat rail **5**, and front seat rail **6** on the right leg **2** and insert the wooden dowels **C** into holes as shown.



#### Important:

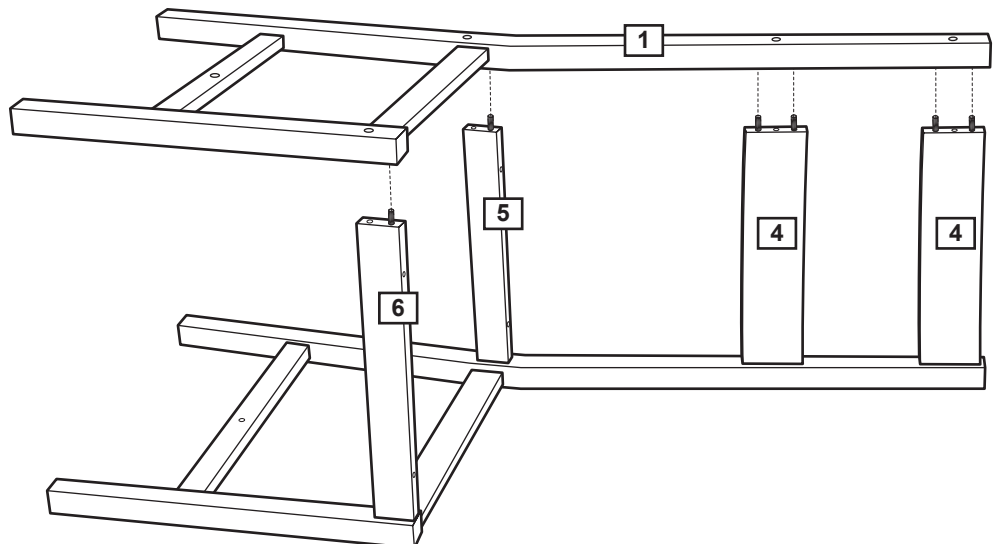
Make sure to position the back seat rail **5** and front seat rail **6** with the smaller screw holes up as shown.



## Step 3

### Attaching left leg

Carefully position the left leg **1** as shown and with a help holding the rails and back rest, attach the left leg by inserting the wooden dowels into holes as shown.



# Assembly Instructions

## Step 4

### Securing the leg frames

**a:** Secure the leg frame using bolts **A** as shown and tighten using allen key **D** but do not fully tighten at this stage.

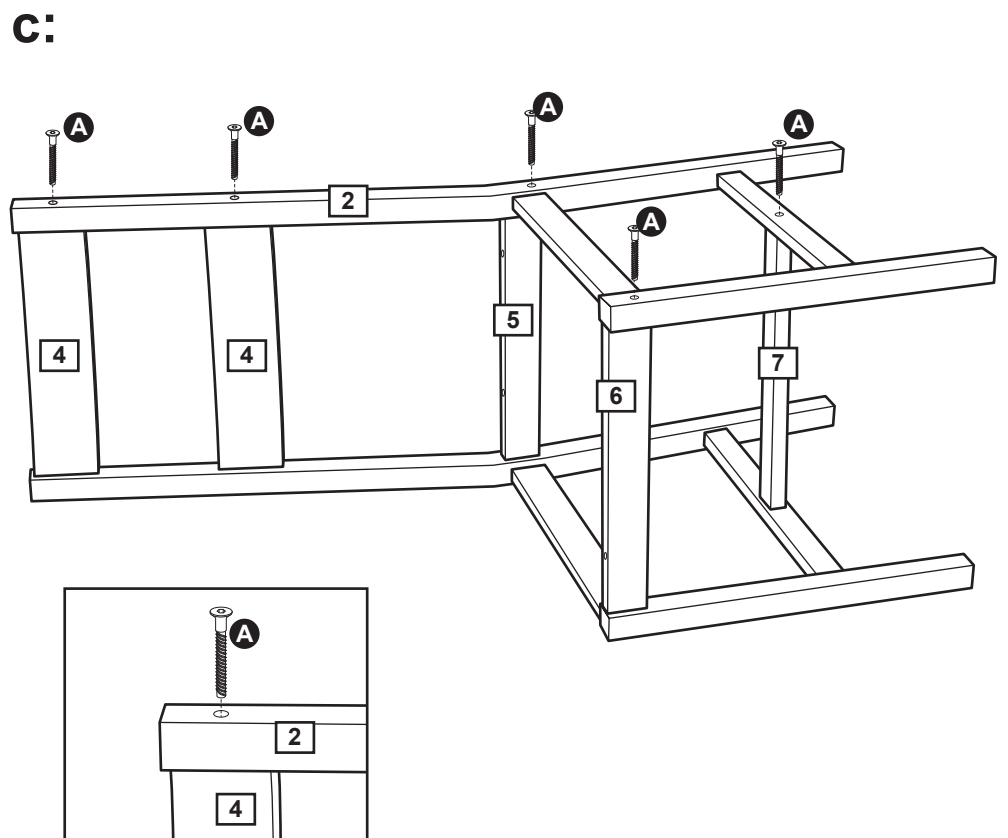
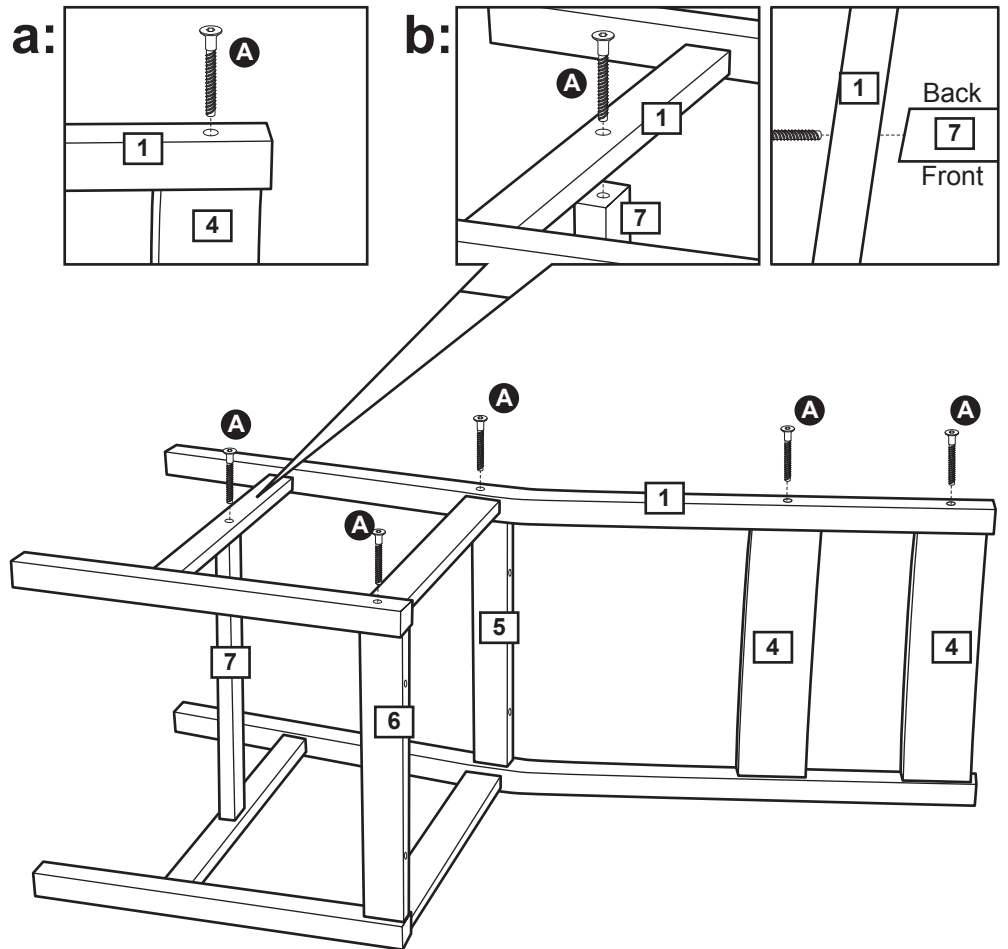
**b:** Attach the stretcher **7** between the legs **1** and **2** as shown and secure using bolts **A**.

Fully tighten bolts using allen key **D**.



**Important:** Make sure to position the stretcher at an angle as shown in the inset diagram.

**c:** Carefully turn the chair frame on the other side to secure the leg frame **2** and the stretcher **7** using bolts **A** as shown and tighten using allen key **D**.



# Assembly Instructions

## Step 5

### Attaching seat

Position the seat panel **3** face down on a flat and raised surface such as a table.

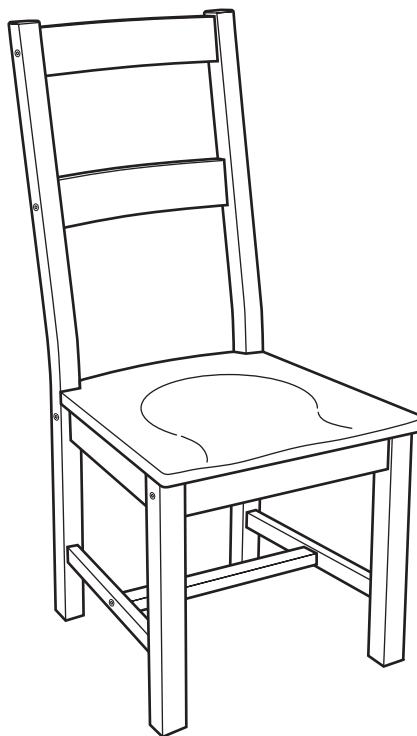
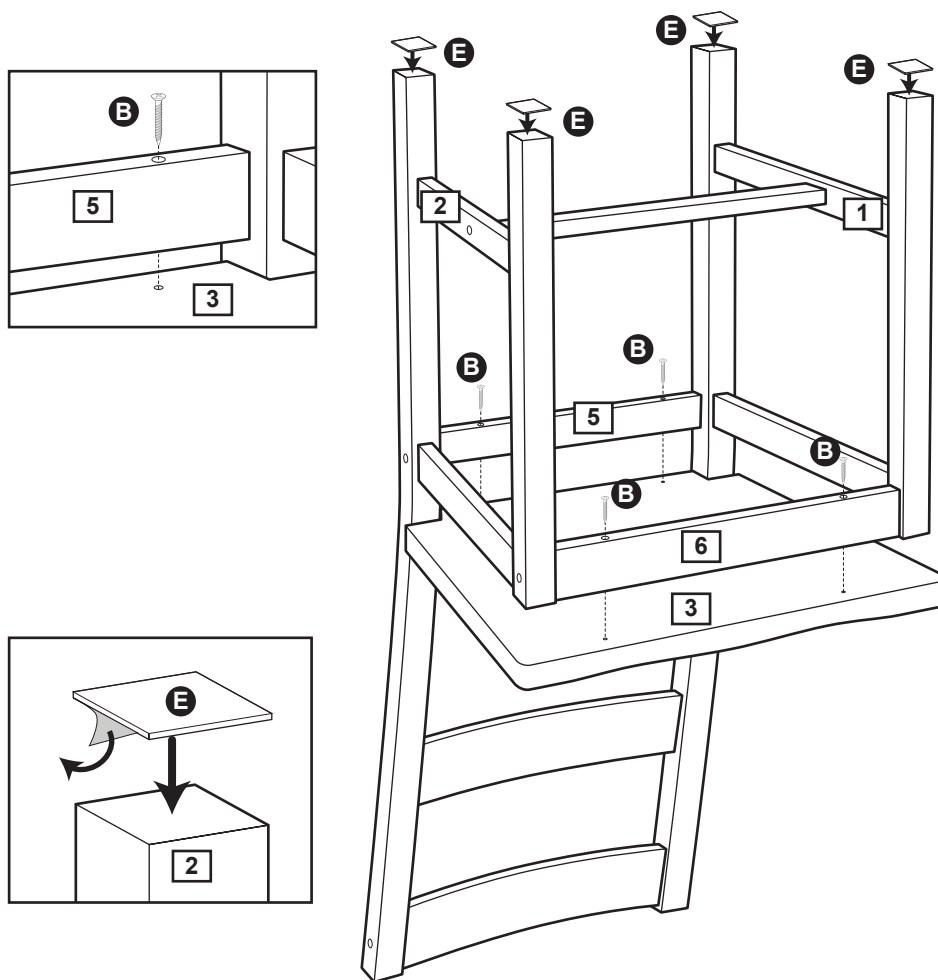
Position the chair frame on the seat as shown then fix the back seat rail **5** and front seat rail **6** to seat panel **3** using screws **B**.

Tighten screws using a crosshead screwdriver.

Remove backing from foot pads **G** and carefully position on the bottom of the left leg frame **1** and right leg frame **2** as shown.

Carefully position the chair frame upright.

**Assembly is complete.**



If you need help or have damaged or missing parts, call the **Customer Helpline:**  
**Argos = 0345 640 0800**