

# Assembly Instructions

## Step 7

### Assembling the storage drawer

Two people are needed here.

**c:** Slide Bottom board **12** into the grooves.

**d:** Attach Front board **8** by the two Side board **11** with the Bolts **A**.

**e:** Fix the Support bar **10** to the Front board **8** and Back board **9** with Bolts **A**.

Now fully tighten all bolts.

## Step 8

### Attaching slats

For this stage requires two people.

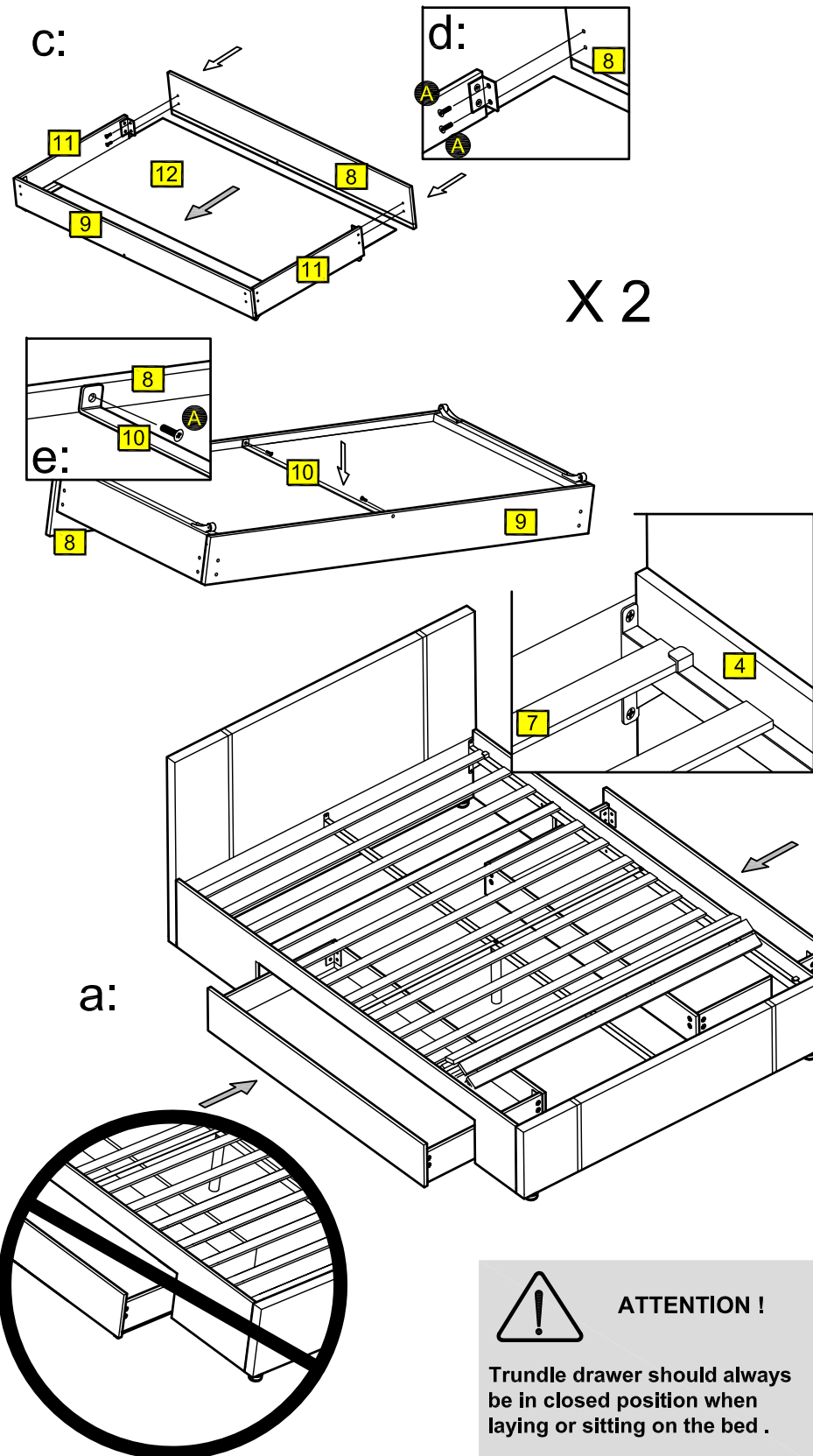
**a:** Insert the storage drawer in it's place.

**b:** Roll the slats over the metal side rails, then place the end slat after the metal block attached to the Metal side rails **3** and **4**.

Slats to be rolled out with staples on the underside.

Repeat operation for all 4 corners.

Assembly is now complete.



If you need help or have damaged or missing parts, call the **Customer Helpline: Argos = 0345 640 3030**

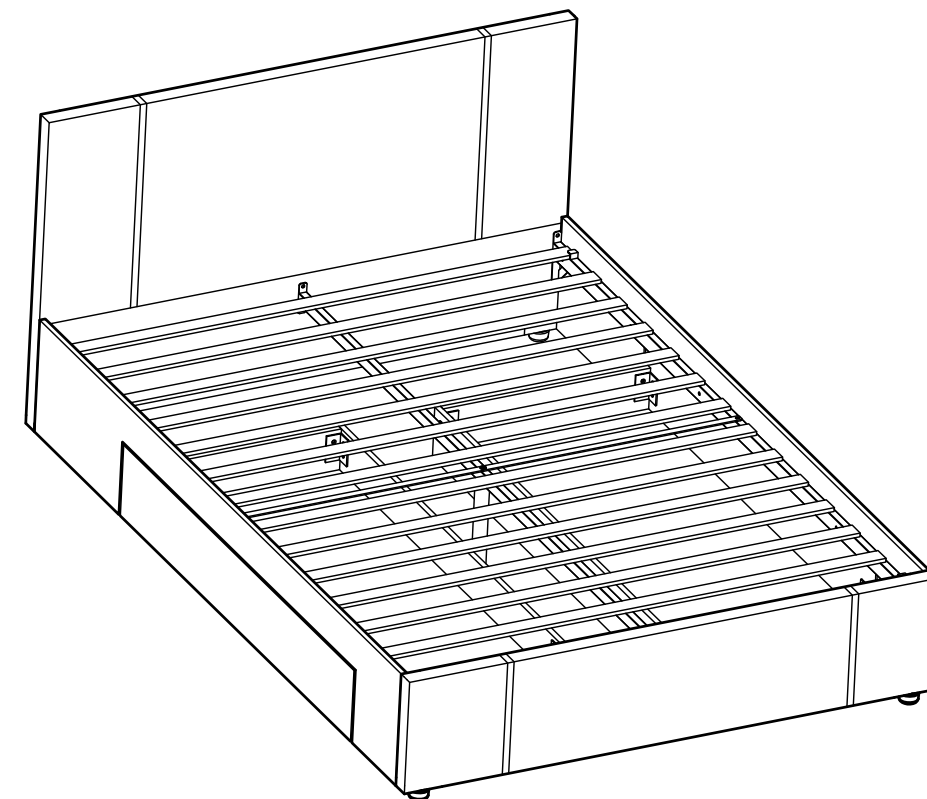
# Paxton 4FT

Assembly Instructions - Please keep for future reference

Cat.no 487 / 8881

Cat.no 496 / 0854

Cat.no 461 / 3905



### Dimension

Width - 125cm  
Length - 203cm  
Height - 87cm

**Important - Please read these instructions fully before starting assembly**

If you need help or have damaged or missing parts, call the **Customer Helpline: Argos = 0345 640 3030**



# Safety and Care Advice

## Important - Please read these instructions fully before starting assembly

- Check you have all the components and tools listed on pages 2 and 3.
- Remove all fittings from the plastic bags and separate them into their groups.
- Keep children and animals away from the work area, small parts could choke if swallowed.
- Make sure you have enough space to layout the parts before starting.
- Do not stand or put weight on the product, this could cause damage.
- Assemble the item as close to its final position (in the same room) as possible.
- Assemble on a soft level surface to avoid damaging the unit or your floor.
- Parts of the assembly will be easier with 2 people.



• We do not recommend the use of power drill/drivers for inserting bolts as this could damage the unit. Only use hand screwdrivers.

- Dispose of all packaging carefully and responsibly.
- Do not tighten all bolts until bed is fully assembled.

## Care and maintenance

- Only clean using a damp cloth and mild detergent, do not use bleach or abrasive cleaners.
- From time to time check that there are no loose bolts on this unit.
- This product should not be discarded with household waste. Take to your local authority waste disposal centre.

## Handy Hints

- Assemble all parts and bolts loosely during assembly, only once the product is complete should you fully tighten the bolts.
- Regularly check and ensure that all bolts and fittings are tightened properly.

**Note:** if required the next page can be cut out and used as reference throughout the assembly. Keep this page with these instructions for future reference.

# Assembly Instructions

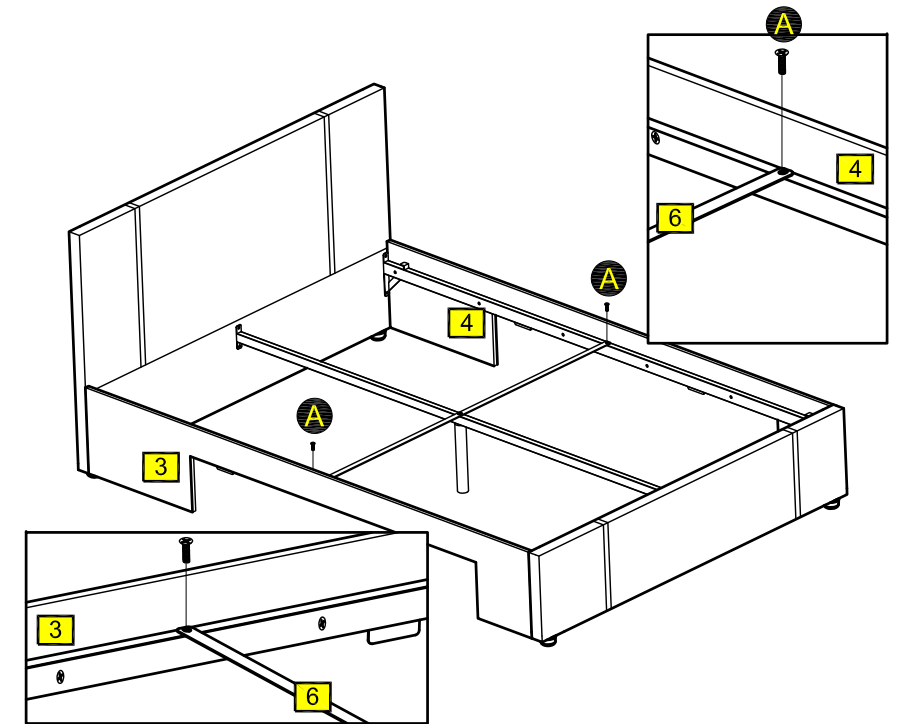
## Step 5

### Attaching support bar 2

Insert Bolt **A** through hole on the Central support bar **6** and Metal side rail.

Make the same for the other side.

Now secure tightly in a clockwise direction the Support Leg **D**.



## Step 6

### Assembling the storage drawer

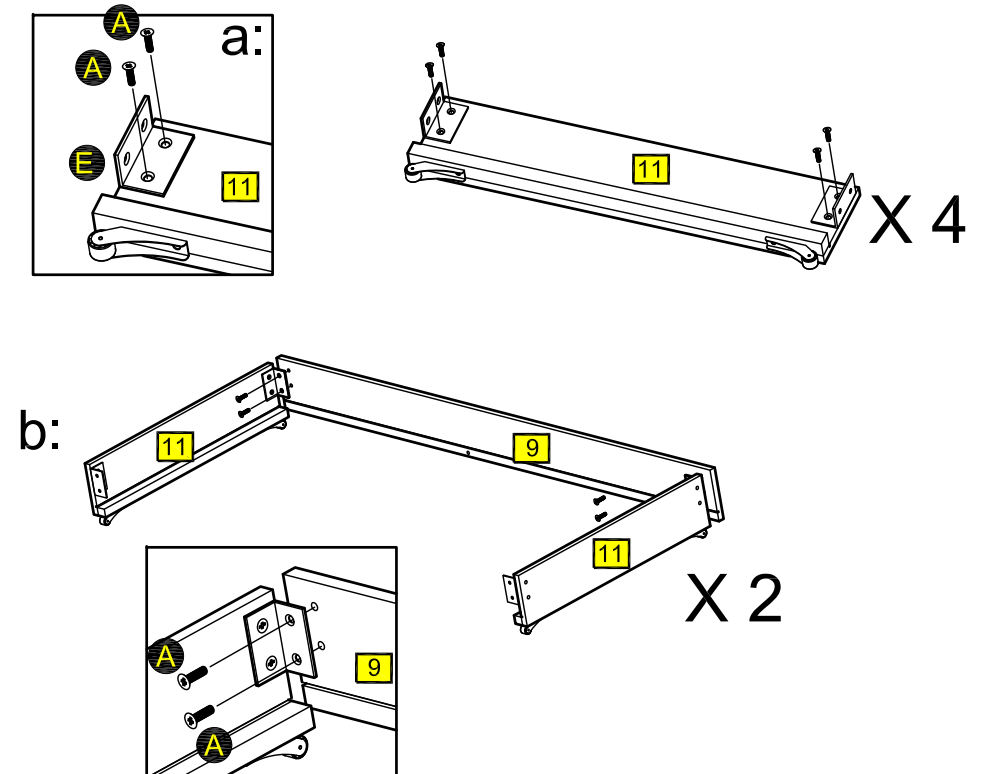
**a:** Fix the corner brackets **E** to the Side board **11** of the storage drawer with Bolts **A**.

Make the same operation with the other side board of the storage drawer **11**.

**b:** Fix the Back board **9** to the Side board **11** using Bolts **A**.

Repeat the operation above with the other Side board **11**.

**Note:** Do not fully tighten bolts.

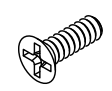
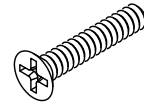

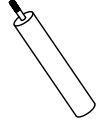
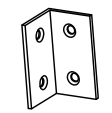


If you need help or have damaged or missing parts, call the **Customer Helpline: Argos = 0345 640 3030**

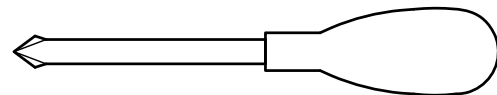
# Components - Fittings

Please check you have all the fittings listed below

**Note:** the quantities below are the correct amount to complete the assembly. In some cases more fittings may be supplied than are required.

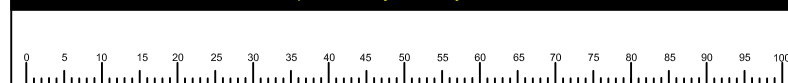
<p><b>A</b></p> <p>M6x20 mm Bolt x 40</p> 	<p><b>B</b></p> <p>M6x55 mm Bolt x 10</p> 	<p><b>C</b></p> <p>Leg x 4</p> 
<p><b>D</b></p> <p>Support Leg x 1</p> 	<p><b>E</b></p> <p>Angle corner x 8</p> 	

## Tools required



Screwdriver (Not supplied)

Ruler - Use this ruler to help correctly identify the bolts



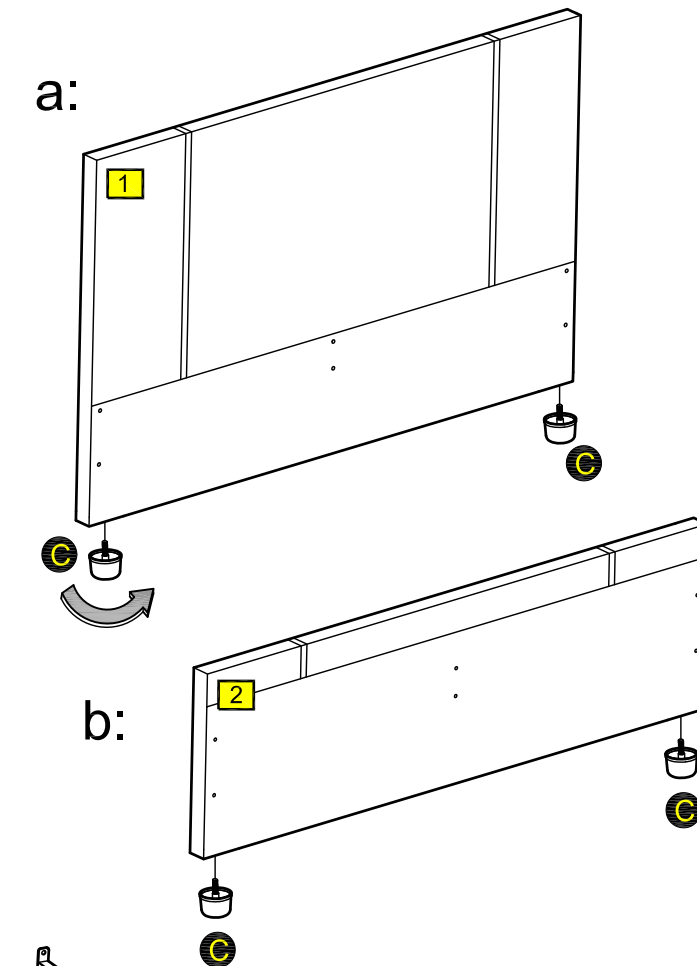
# Assembly Instructions

## Step 1

### Attaching legs

**a:** Insert Legs **C** into Headboard **1** and secure tightly in a clockwise direction.

**b:** Insert Legs **C** into Footboard **2** and secure tightly in a clockwise direction.



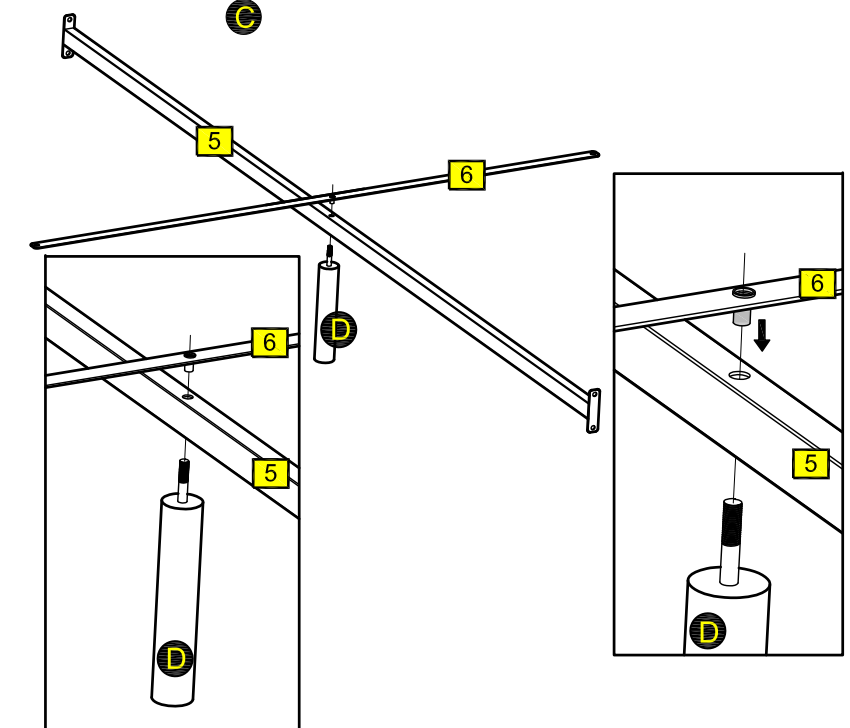
## Step 2

### Attaching support leg

Insert Support leg **D** in middle of Central support bar **5** and **6**, and secure tightly in a clockwise direction.

Central support bar **6** attaches with metal nut down.

It's important that the Support leg **D** is hard tight only.



If you need help or have damaged or missing parts, call the **Customer Helpline: Argos = 0345 640 3030**

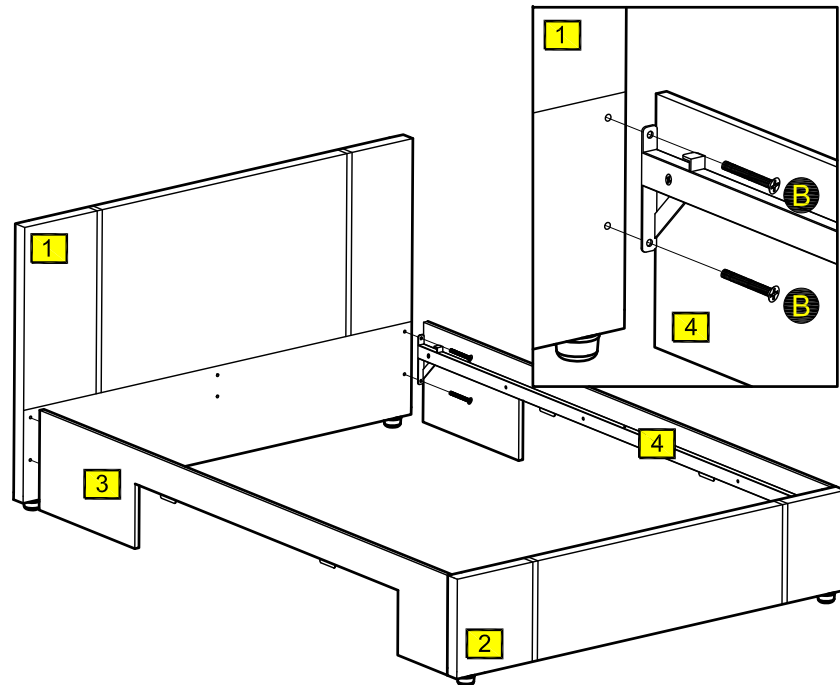
# Assembly Instructions

## Step 3

### Attaching side rails

With the aid of Bolts **B** fix the Side rails **3** and **4** by Headboard **1** and Footboard **2**.

2 person assembly required.

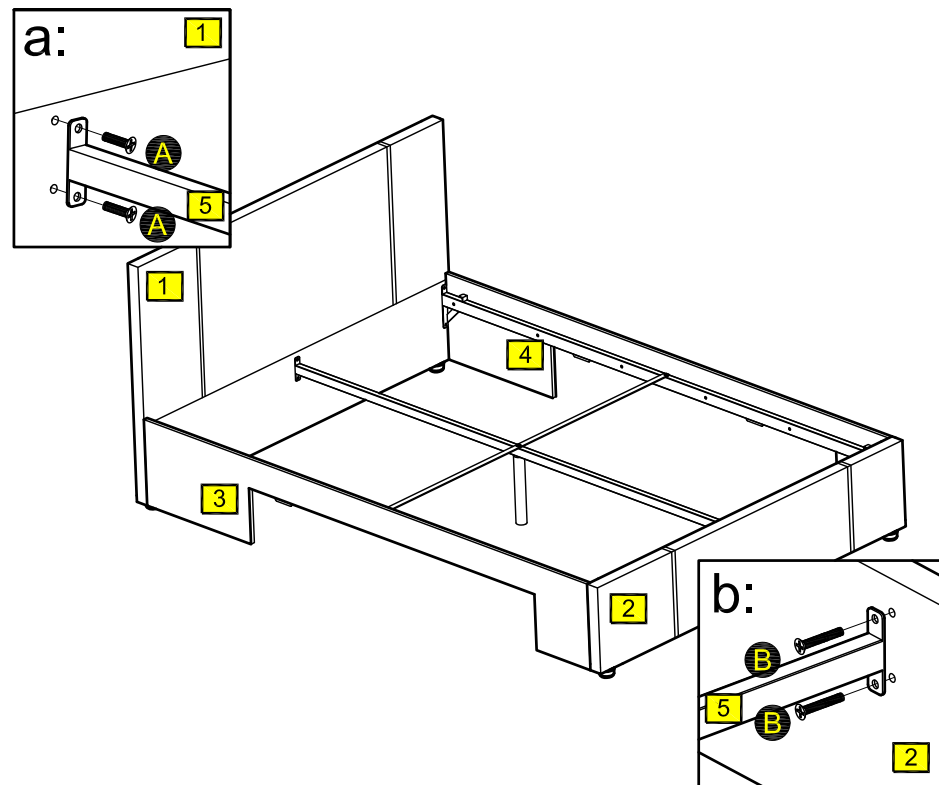


## Step 4

### Attaching support bar

**a:** Fix the Central support bar **5** the Headboard **1** with Bolts **A**.

**b:** Fix the Central support bar **5** the Footboard **2** with Bolts **B**.

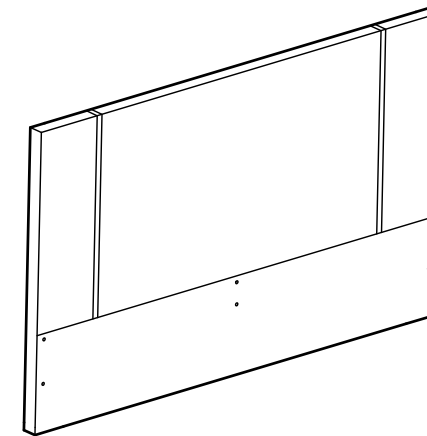


If you need help or have damaged or missing parts, call the **Customer Helpline: Argos = 0345 640 3030**

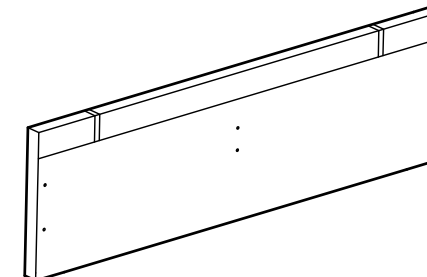
# Components - Parts

If you have damaged or missing components, call the **Customer Helpline: Argos = 0345 640 3030**

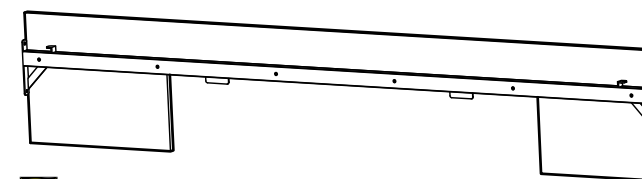
Please check you have all the parts listed below



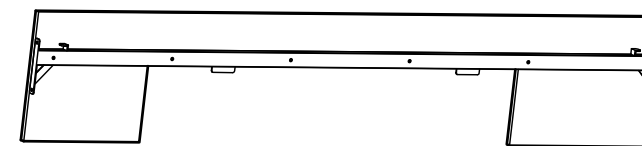
**1** Headboard (125x84cm)



**2** Footboard (125x31cm)



**3** Side rail (192x31cm)



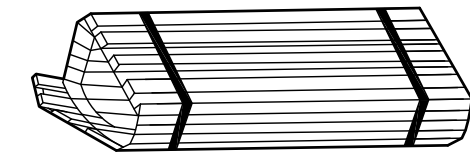
**4** Side rail (192x31cm)



**5** Central support bar (192x2cm)

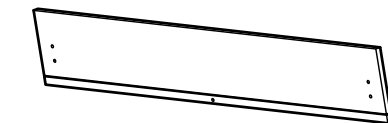


**6** Central support bar (120.6x2cm)

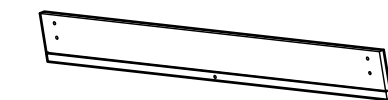


**7** Slats (120.5x4.3cm)

### Storage drawer



**8** Front board x 2 (123x20cm)



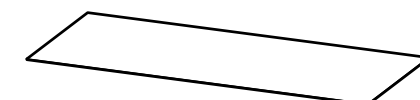
**9** Back board x 2 (120x13.6cm)



**10** Support bar x 2 (55x2cm)



**11** Side board x 4 (55x17cm)



**12** Bottom board x 2 (117.3x56cm)

