

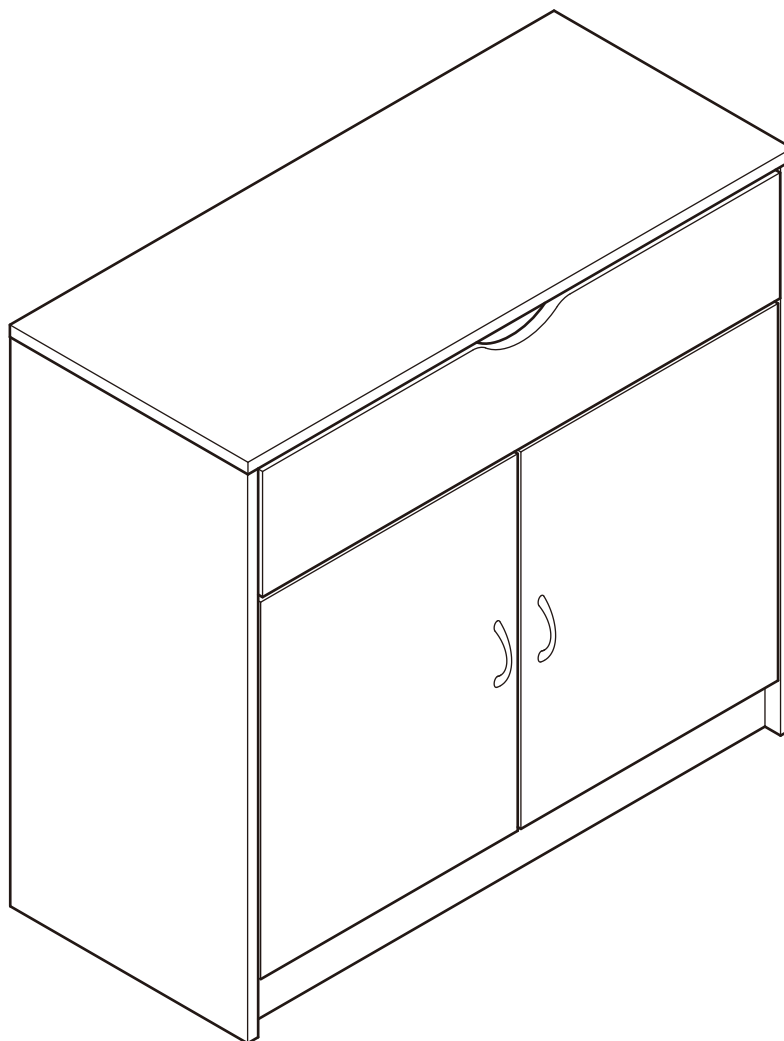
# GV 2 Door 1 Drawer Sideboard

Assembly Instructions - Please keep for future reference

461/3369

464/6989

464/3724



## Dimensions

Width - 80cm

Depth - 35.5cm

Height - 74cm

**Important** - Please read these instructions fully before starting assembly

If you need help or have damaged or missing parts, call the **Customer Helpline:**  
**Argos = 0345 6400800**



# Safety and Care Advice

## Important – Please read these instructions fully before starting assembly

- Check you have all the components and tools listed on the following pages.
- Remove all fittings from the plastic bags and separate them into their groups.
- Keep children and animals away from the work area, small parts could choke if swallowed.
- Make sure you have enough space to layout the parts before starting.

- During assembly do not stand or put weight on the product, this could cause damage.
- Assemble the item as close to its final position (in the same room) as possible.
- Assemble on a soft level surface to avoid damaging the unit or your floor.
- Parts of the assembly will be easier with 2 people.



- To reduce the likelihood of damaging your product please ensure that your power drill is set on a low torque setting.

## Care and maintenance

- Only clean using a damp cloth and mild detergent, do not use bleach or abrasive cleaners.
- From time to time check that there are no loose screws on this unit.
- This product should not be discarded with household waste. Take to your local authority waste disposal centre.

## Handy Hints

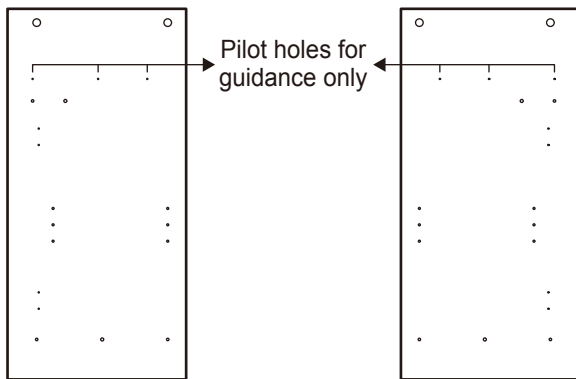
- Regularly check and ensure that all bolts and fittings are tightened properly.

**Note:** if required the next page can be cut out and used as reference throughout the assembly. Keep this page with these instructions for future reference.

# Components - Panels

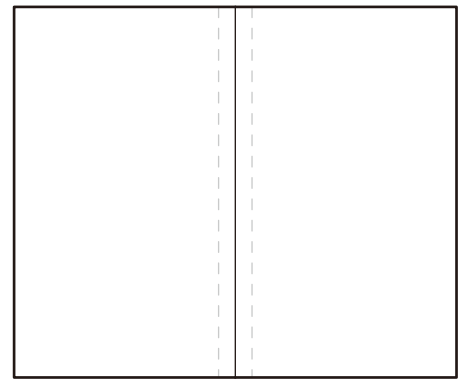
If you have damaged or missing components, call the Customer Helpline: Argos = 0345 6400800

Please check you have all the panels listed below

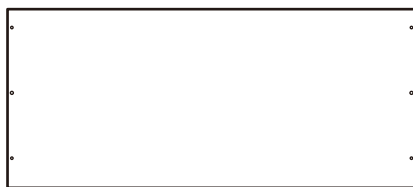


**1** Left panel (34.9 x 72.4cm)

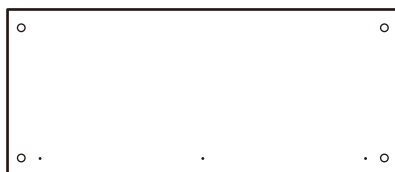
**2** Right panel (34.9 x 72.4cm)



**3** Back panel (79.4 x 66.5cm)



**4** Top panel (80.1 x 35cm)



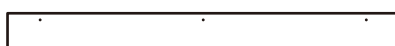
**5** Bottom panel (76.8 x 32.3cm)



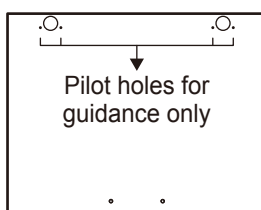
**6** Shelf panel (76.8 x 30cm)



**7** Middle panel (76.8 x 11cm)



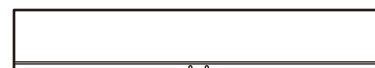
**8** Front panel (76.8 x 7cm)



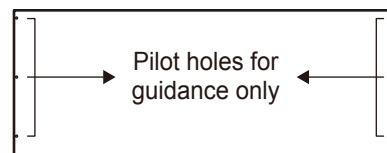
**9** Door panel x 2 (48.1 x 37.9cm)



**10** Drawer front panel (76.1 x 16.1cm)



**11** Drawer back panel (71.9 x 11.8cm)



**12** Drawer bottom panel (74.3 x 28.6cm)

Finished front edge



**13** Drawer left panel (29 x 10.1cm)

Finished front edge



**14** Drawer right panel (29 x 10.1cm)








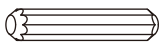




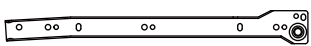
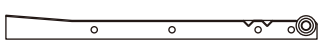
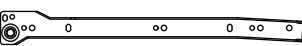
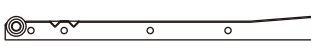

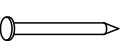
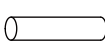



**15** Drawer support (27.7 x 6cm)



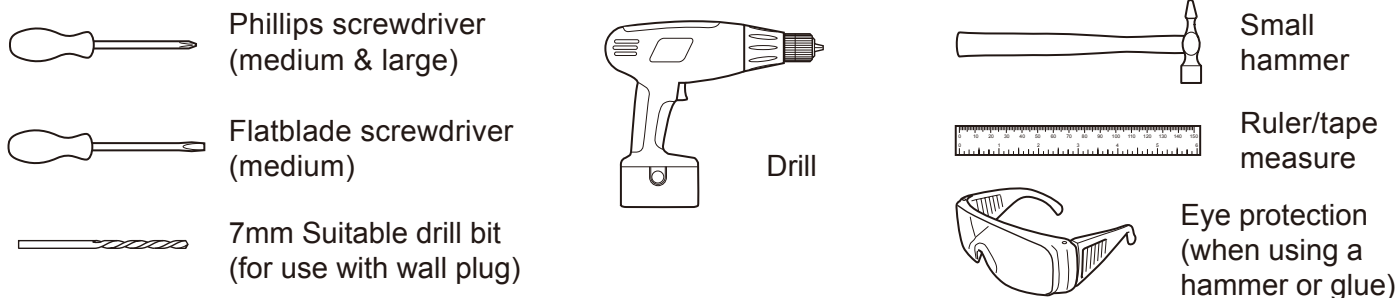
# Components - Fittings

Please check you have all the fittings listed below

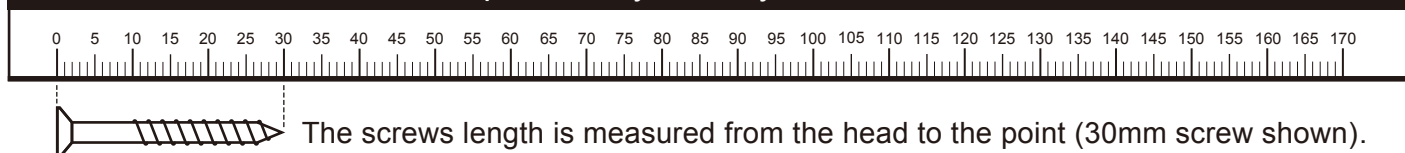
**Note:** The quantities below are the correct amount to complete the assembly. In some cases more fittings may be supplied than are required.

<b>A</b>  (This screw is included in the runners bag) 12mm Screw x 12	<b>B</b>  (This screw is included in the door hinges bag) 15mm Screw x 16	<b>C</b>  14mm Screw x 6
<b>D</b>  30mm Screw x 6	<b>E</b>  (This screw is included in the handles bag) 18mm Screw x 4	<b>F</b>  30mm Dowel x 6
<b>G</b>  39mm Locking pin x 15	<b>H</b>  15mm Locking nut x 10	<b>I</b>  12mm Locking nut x 5
<b>J</b>  Door hinge x 4	<b>K</b>  Right outside runner x 1	<b>L</b>  Right inside runner x 1
<b>M</b>  Left outside runner x 1	<b>N</b>  Left inside runner x 1	<b>O</b>  Plastic support x 3
<b>P</b>  Nail x 16	<b>Q</b>  Shelf support x 4	<b>R</b>  Support cover x 4
<b>S</b>  Handle x 2	<b>T</b>  Door pad x 4	

## Tools required



## Ruler - Use this ruler to help correctly identify the screws



# Assembly Instructions

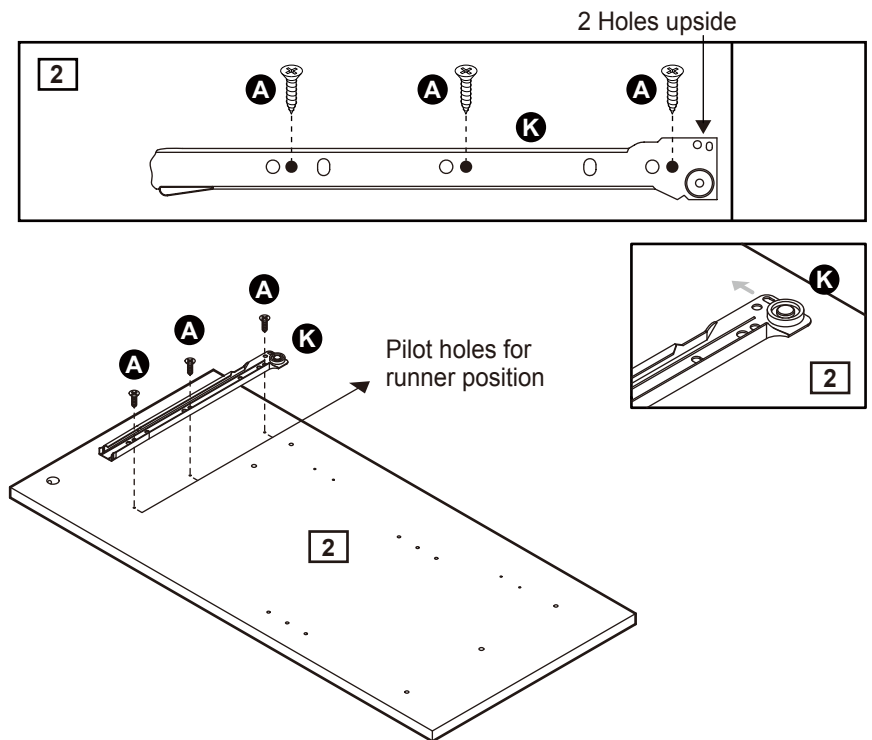
## Step 1

### Attaching runners and hinges

**a:** Position the Left outside runners **K** in from front edge of the Left side panel **2**.

Use Screws **A** to fix the Left outside runners **K** onto the Left side panel **2**.

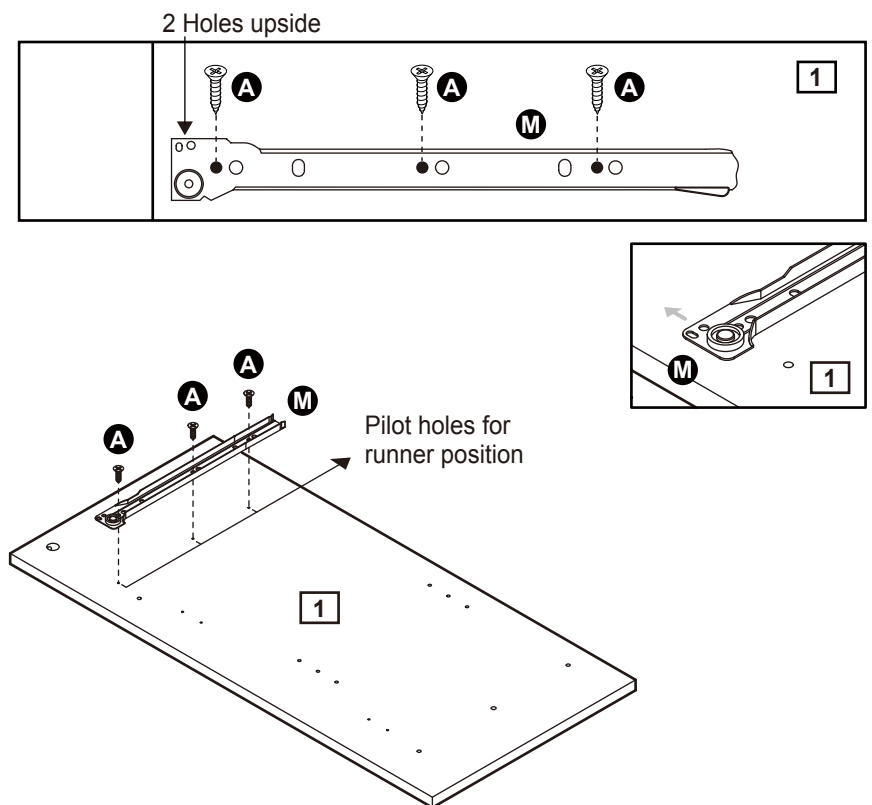
**a:**



**b:** Position the Right outside runners **M** in from front edge of the Right side panel **1**.

Use Screws **A** to fix the Right outside runners **M** onto the Right side panel **1**.

**b:**



Continued on next page.

# Assembly Instructions

## Step 1 - continued

**c:** Use Screws **B** to fix the Door hinges **J** 'back plates' onto the Left side panel **2**.

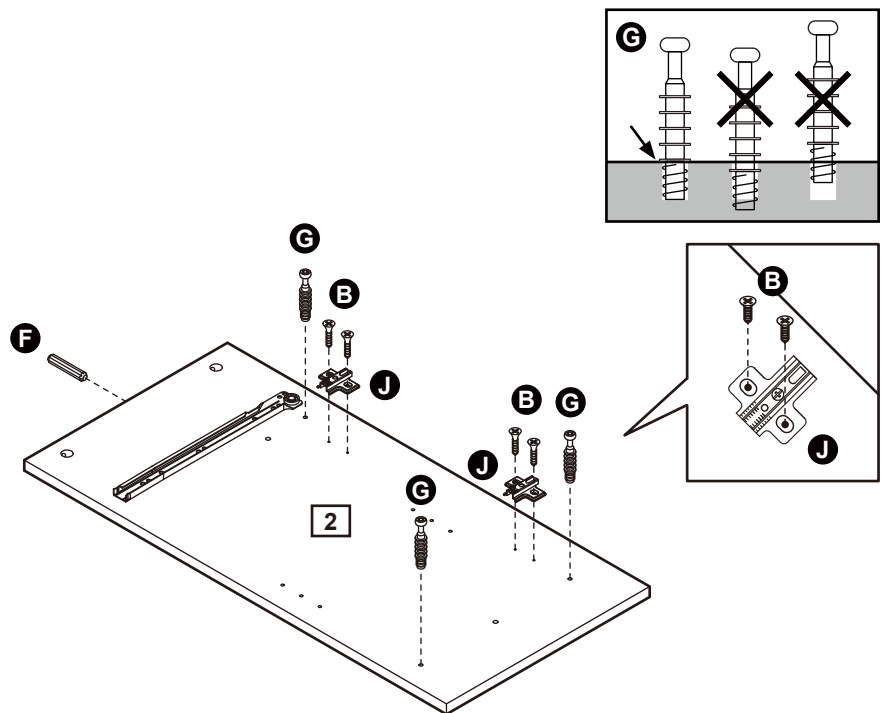
Insert Dowels **F** into the Left side panel **2**.

Screw Locking pins **G** into the Left side panel **2**.

**Note:** Insert locking pins as far as shown.

**Do not over tighten.**

**c:**



**d:** Use Screws **B** to fix the Door hinges **J** 'back plates' onto the Right side panel **1**.

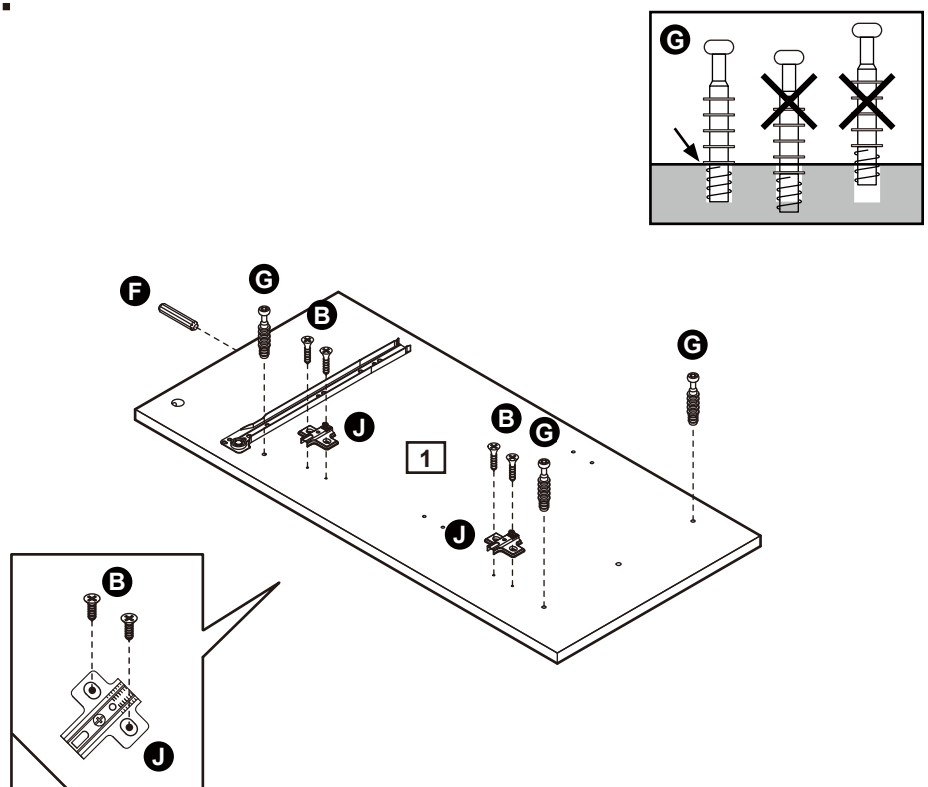
Insert Dowels **F** into the Right side panel **1**.

Screw Locking pins **G** into the Right side panel **1**.

**Note:** Insert locking pins as far as shown.

**Do not over tighten.**

**d:**



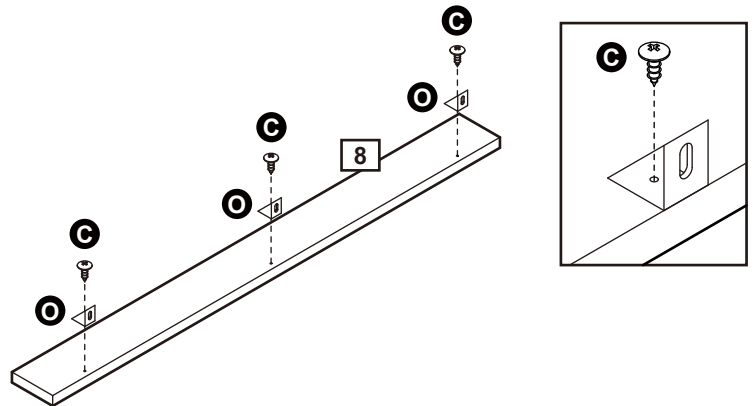
# Assembly Instructions

## Step 2

### Attaching bottom panel

**a:** Use Screws **C** to fix Plastic supports **O** onto the Front panel **8**.

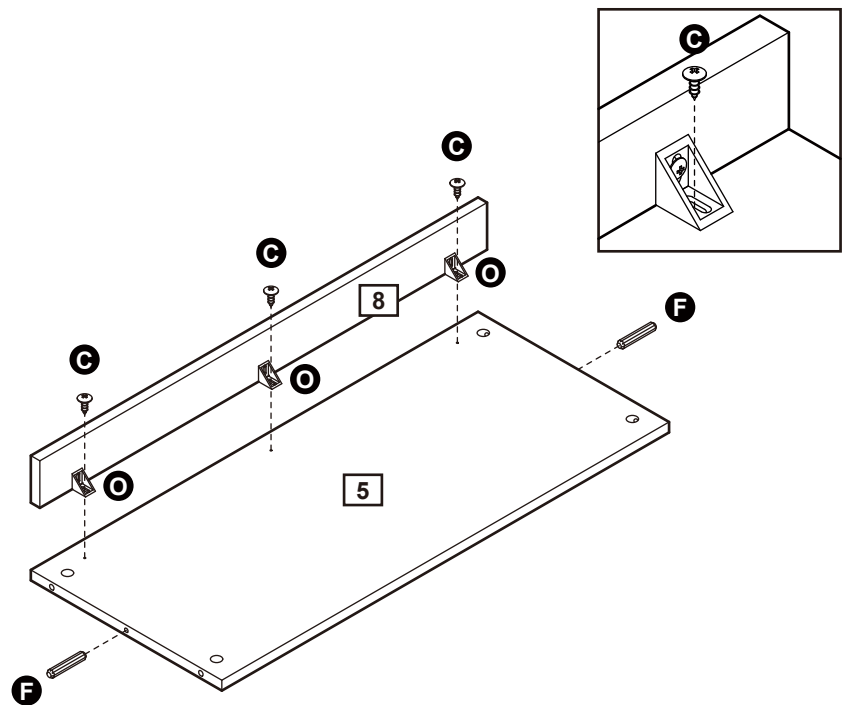
**a:**



**b:** Use Screws **C** to fix Front panel **8** onto the Bottom panel **5**.

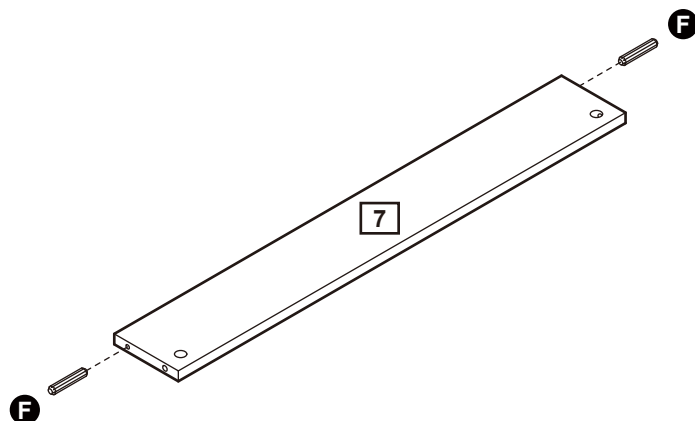
Insert Dowels **F** into the Bottom panel **5**.

**b:**



**c:** Insert Dowels **F** into Middle panel **7**.

**c:**



Continued on next page.

# Assembly Instructions

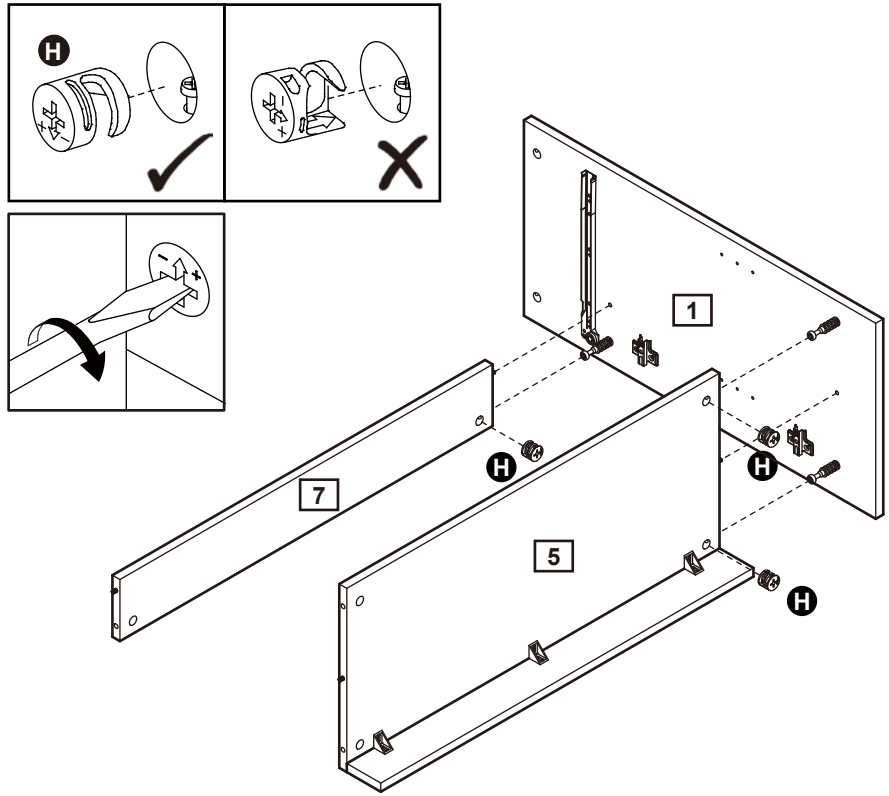
## Step 2 - continued

**b:** Carefully locate the Left panel **1** onto the Middle panel **7** and Bottom panel **5**.

Insert 3 Locking nuts **H** into the Middle panel **7** and Bottom panel **5**.

Use a screwdriver to turn Locking nuts **H** clockwise to lock.

**d:**

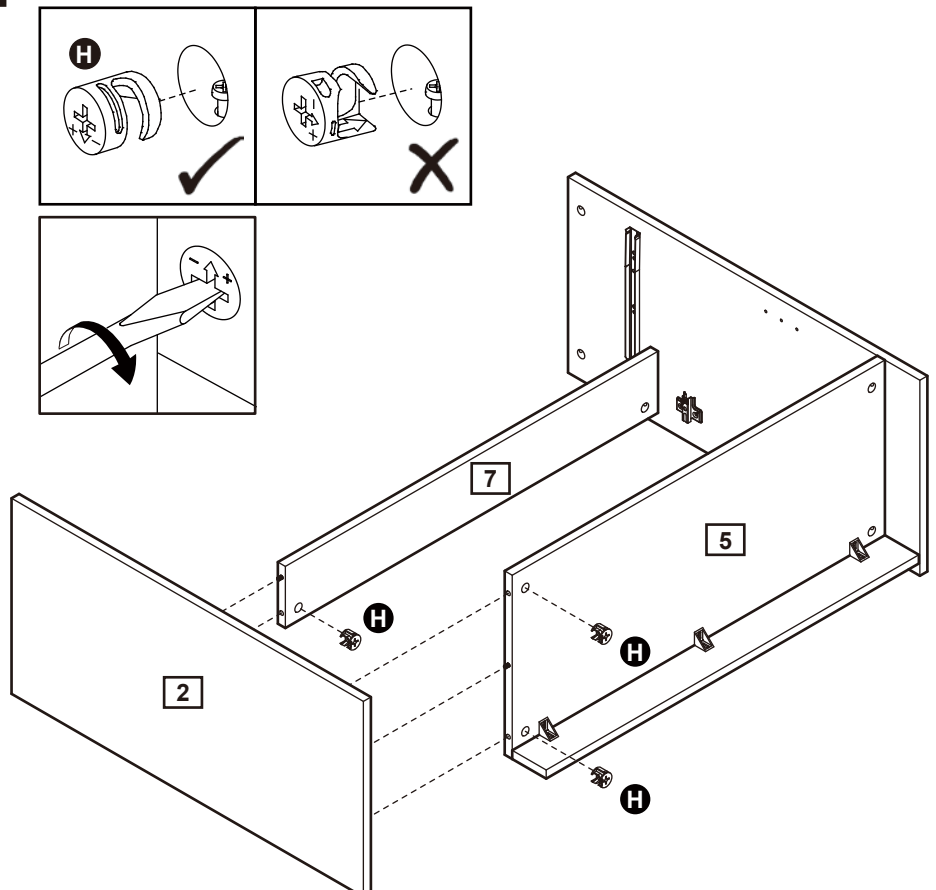


**e:** Carefully locate the Right panel **2** onto the unit.

Insert 3 Locking nuts **H** into the unit.

Use a screwdriver to turn Locking nuts **H** clockwise to lock.

**e:**





# Assembly Instructions

## Step 3

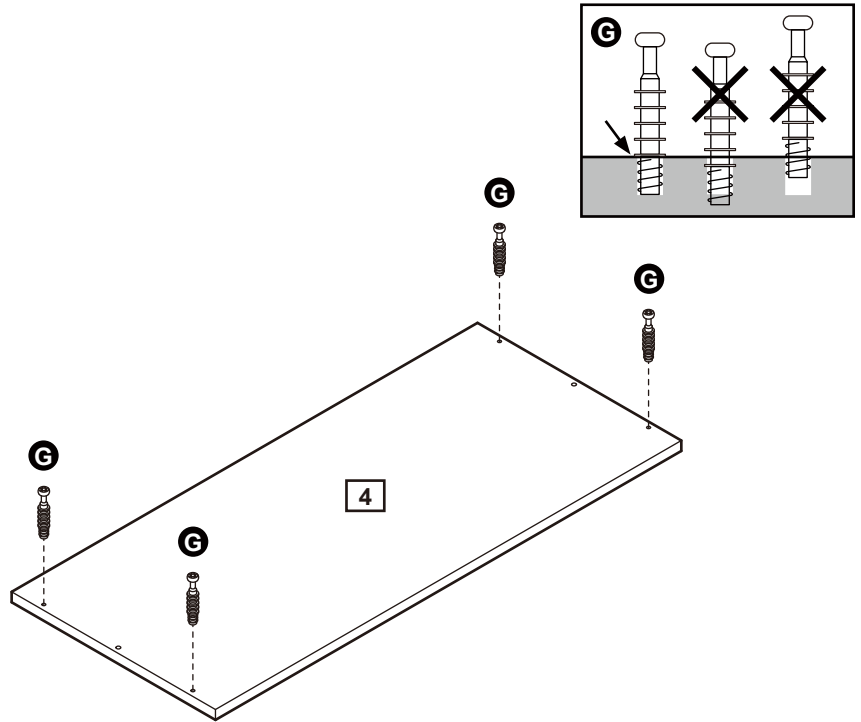
### Attaching top panel

**a:** Screw Locking pins **G** into the Top panel **4**.

**Note:** Insert locking pins as far as shown.

**Do not over tighten.**

**a:**

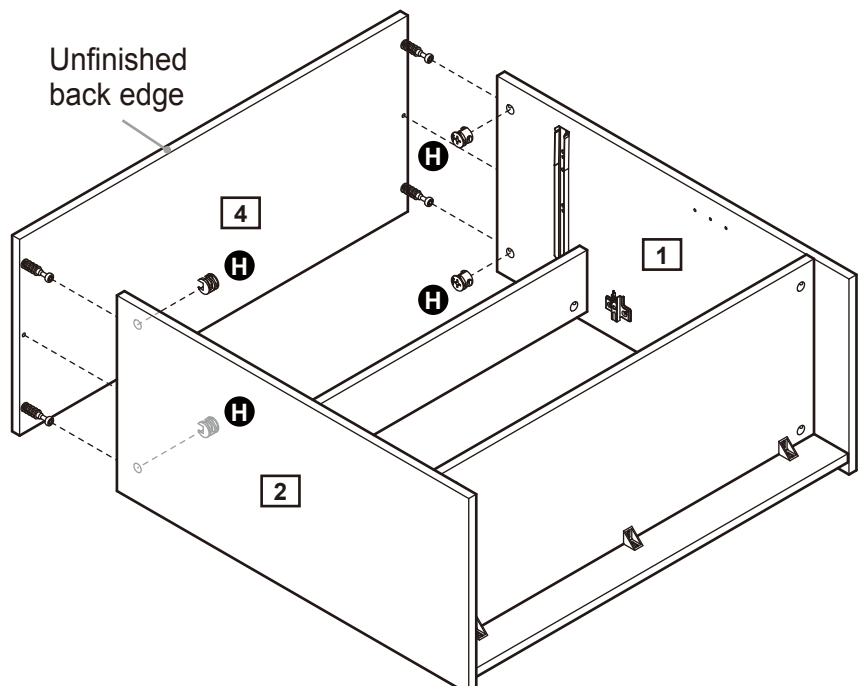
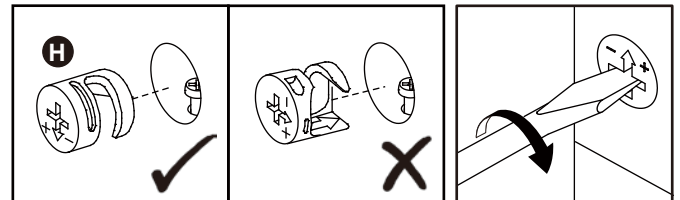


**b:** Carefully locate the Top panel **4** onto the unit.

Insert 4 Locking nuts **H** into the unit.

Use a screwdriver to turn Locking nuts **H** clockwise to lock.

**b:**



# Assembly Instructions

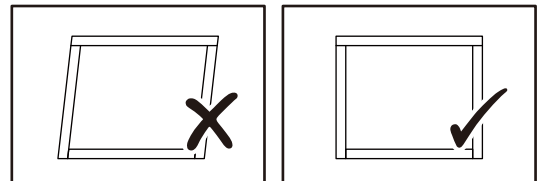
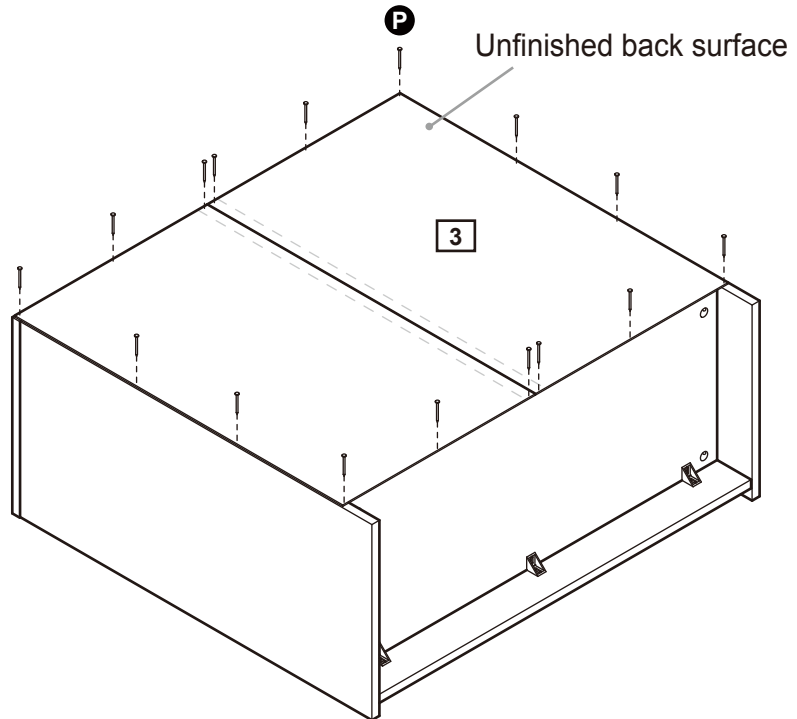
## Step 4

### Fixing back panel

Attach Back panel **3** using nails **P**.



**Important:**  
The unit **MUST** be 'square' when back is attached.



## Step 5

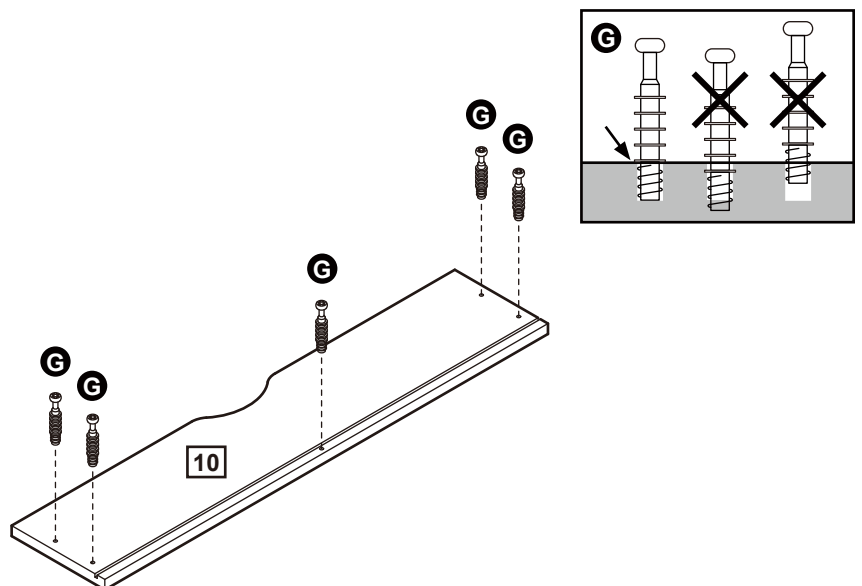
### Drawer assembly

**a:** Screw Locking pins **G** into the Drawer front panel **10**.

**Note:** Insert locking pins as far as shown.

**Do not over tighten.**

**a:**



Continued on next page.

# Assembly Instructions

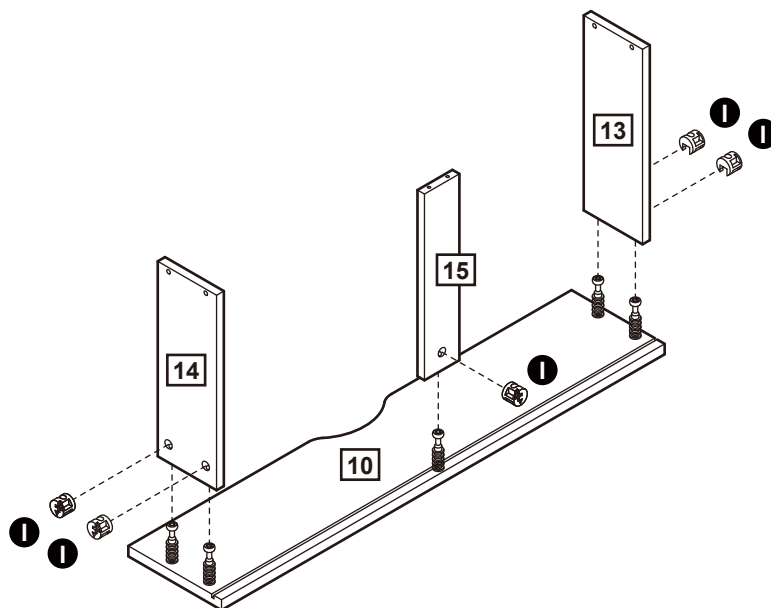
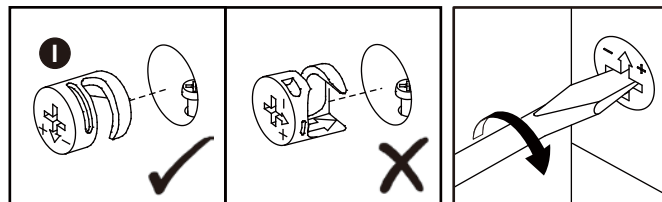
## Step 5 - continued

**b:** Fix Drawer right panel **14**, Drawer support **15** and Drawer left panel **13** on to Drawer front panel **10**.

Insert 5 Locking nuts **I** into the Drawer right panel **14**, Drawer support **15** and Drawer left panel **13**.

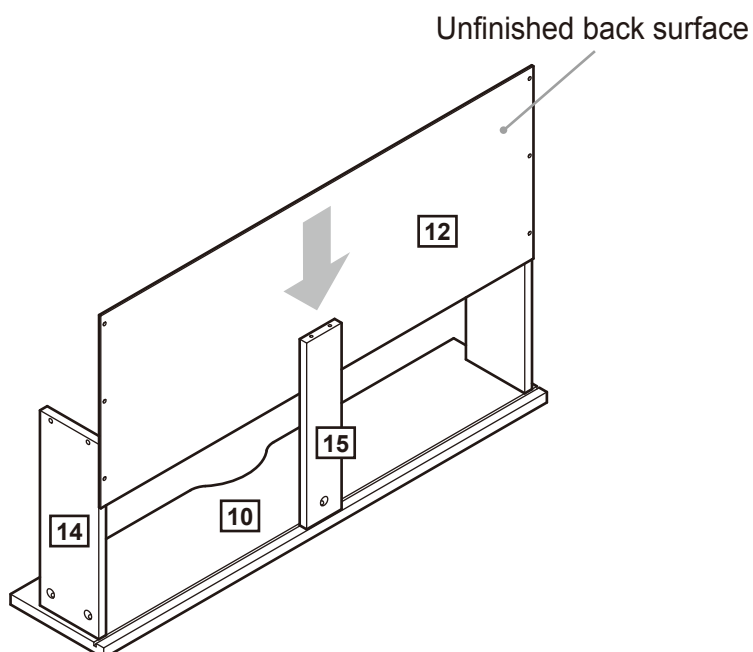
Use a screwdriver to turn Locking nuts **H** clockwise to lock.

**b:**



**c:** Carefully slide the Drawer bottom panel **12** into the grooves.

**c:**



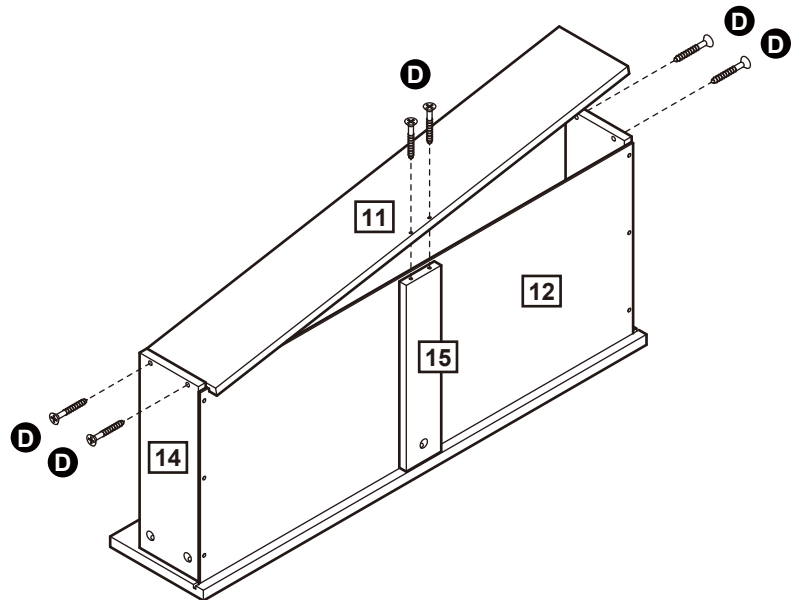
Continued on next page.

# Assembly Instructions

## Step 5 - continued

**d:** Position the Drawer back panel **11** onto the unit using Screws **D**.

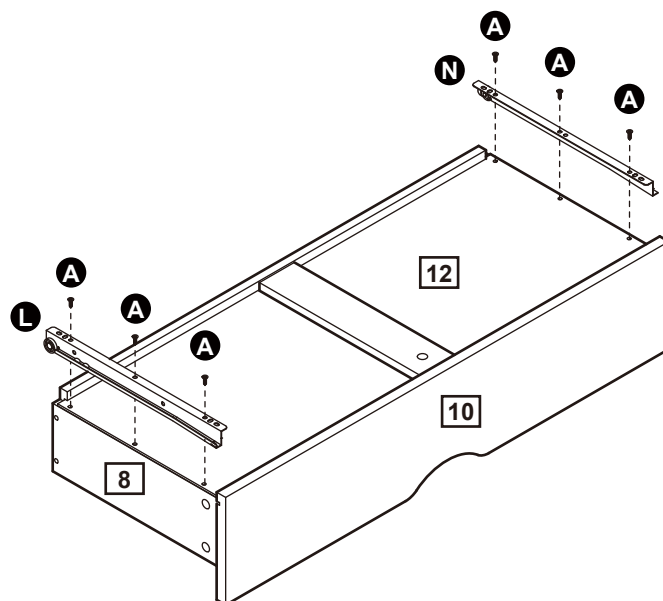
**d:**



**e:** Turn the unit upside down carefully.

Use Screws **A** to fix the Left inside runners **N** and Right inside runners **L** onto the unit.

**e:**



# Assembly Instructions

## Step 6

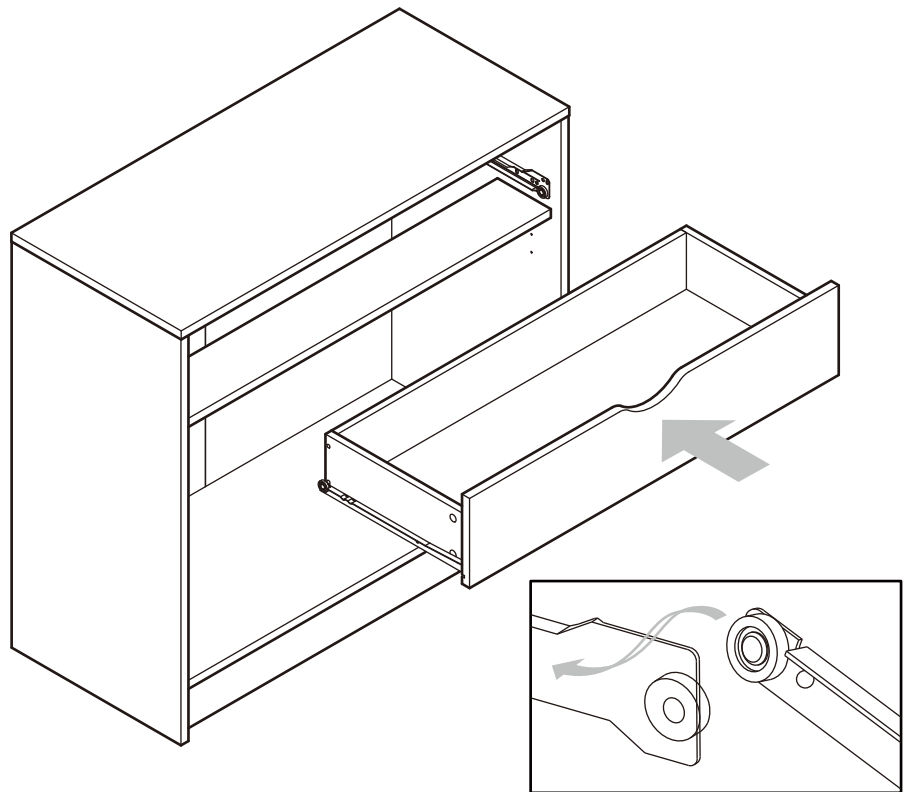
### Inserting drawers

With help, carefully stand unit upright.



**Warning:**  
The unit is heavy.  
**Lift with care.**

Slide the assembled drawers fully onto runners.



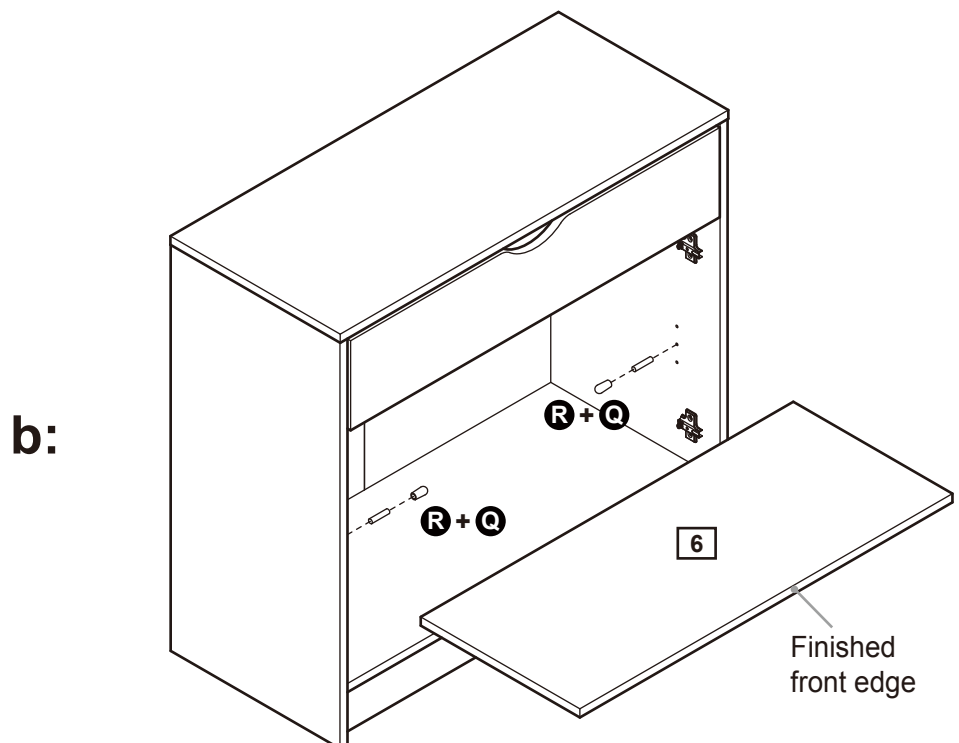
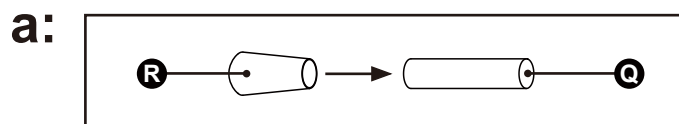
## Step 7

### Attaching shelf panel

**a:** Slide Support covers **R** onto Shelf supports **Q**. Insert Shelf supports **Q** (Support covers **R** are included) into the unit. Ensure they are well fitted before inserting the Shelves.

**Note:** Set the shelf supports to the desired height.

**b:** Slide Shelf panel **6** into the unit.



# Assembly Instructions

## Step 8

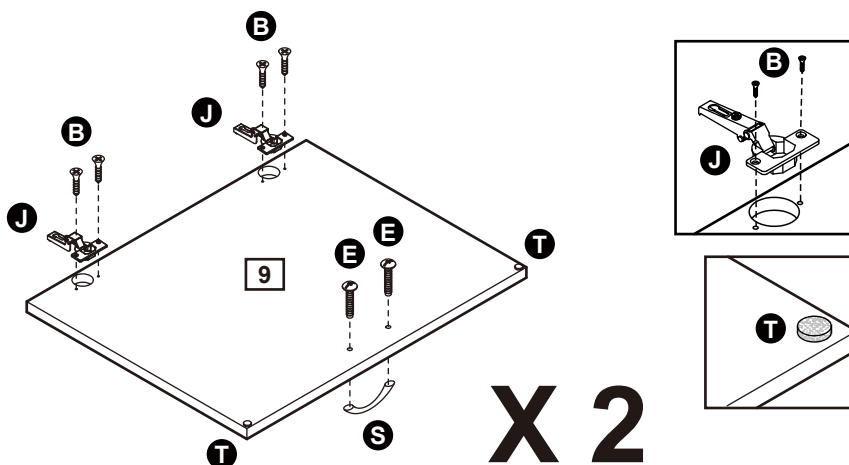
### Attaching door hinges and handles

Fix 4 Door hinges **J** to Door panel **9** using Screws **B**.

Attach Handle **S** using Screws **E**.

Tear off the protective backing from the Door Pads **T**.

Carefully stick the Door pads **T** onto the Door panel **9**.



## Step 9

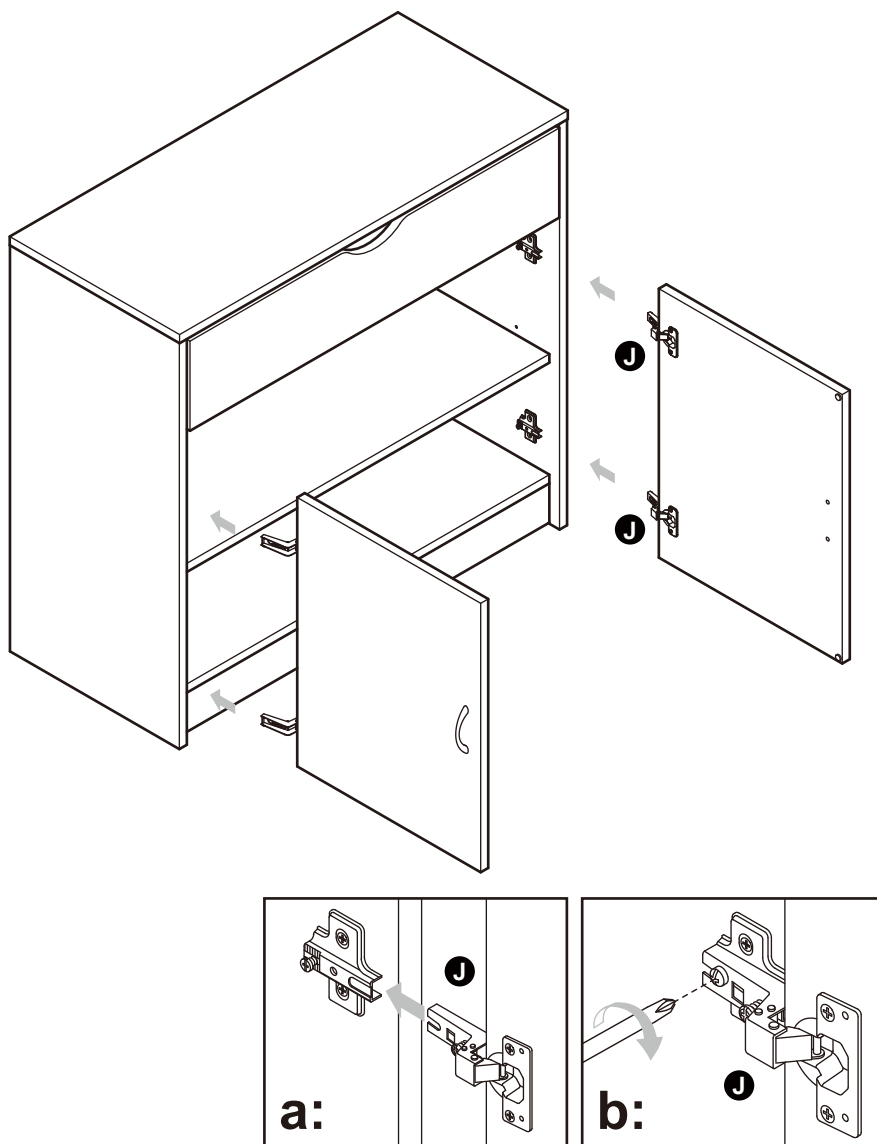
### Hanging doors

**a:** With help, slot Door hinges **J** onto 'hinge plates'.

**b:** Tighten screw shown to lock hinges in position.

Repeat **a** and **b** for opposite door.

See 'Hinge adjustment' in step 10 if the doors need adjusting.



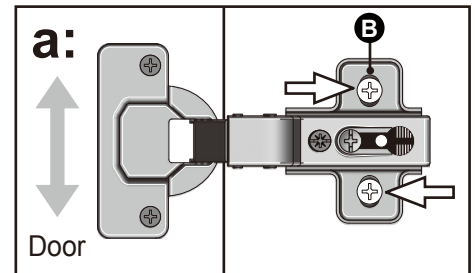
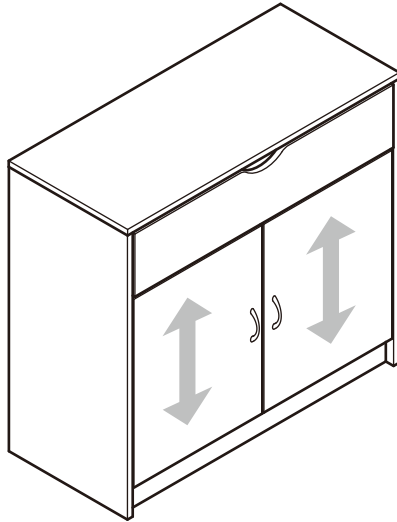
# Assembly Instructions

## Step 10

### Hinge adjustment

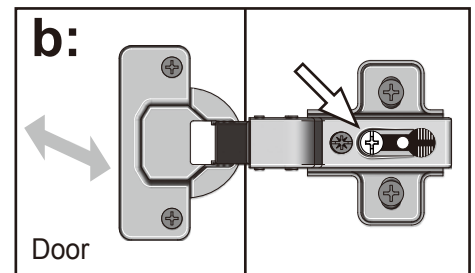
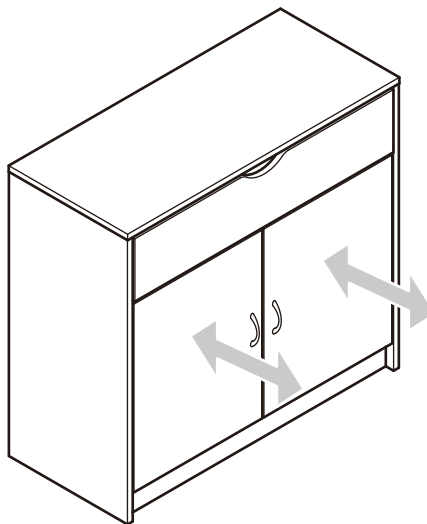
**a:** To move doors up or down: loosen screws shown and move doors to suit.

Once doors are aligned, re-tighten Screws **B**.



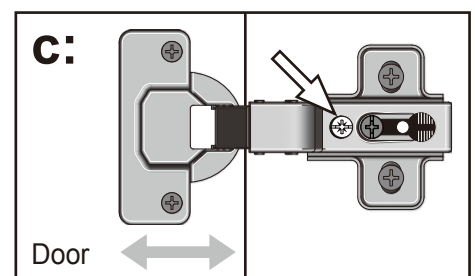
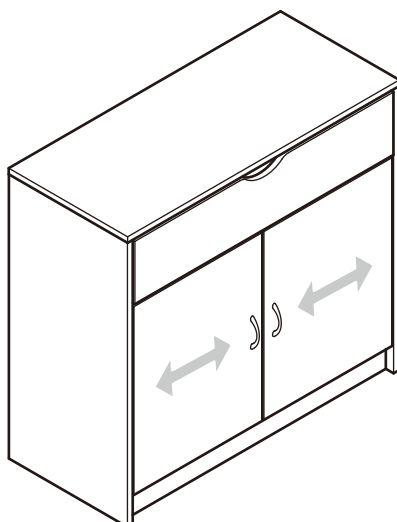
**b:** To move doors in or out: loosen screw shown and move doors to suit.

Re-tighten screws.



**c:** To move doors left or right: loosen screw shown and move doors to suit.

Re-tighten screws.



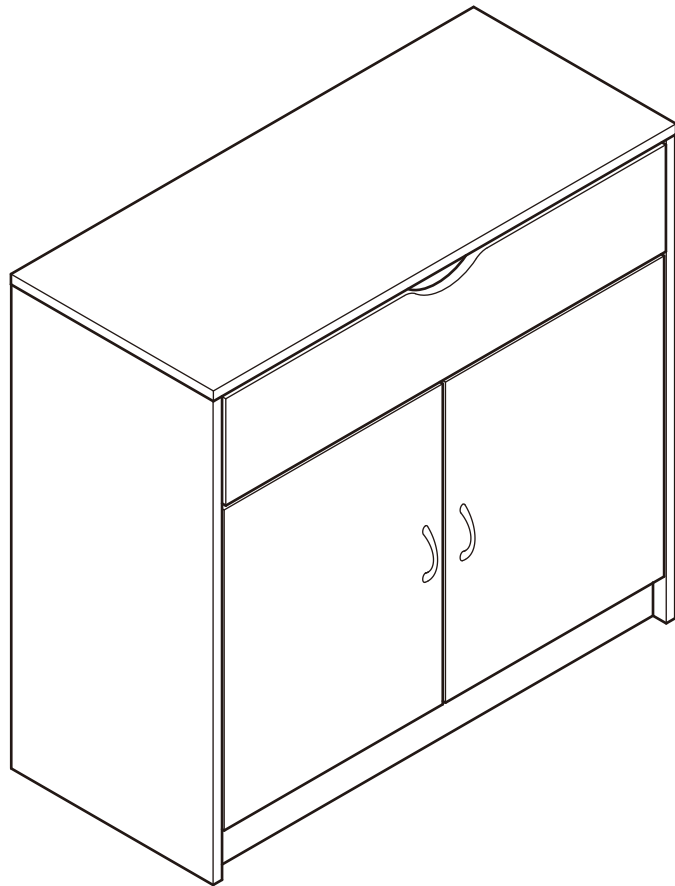
# Assembly Instructions

## Step 11

### Finishing the unit

**Note:** It would be useful to ask someone to help you at this stage.

With help, place the unit in the intended position.



**Assembly is complete.**

If you need help or have damaged or missing parts, call the **Customer Helpline:**  
**Argos = 0345 6400800**