

Dahlia End Table

Assembly Instructions - Please keep for future reference

460/9407



Dimensions

Width - 45cm

Depth - 45cm

Height - 45cm

Important - Please read these instructions fully before starting assembly

If you need help or have damaged or missing parts, call the **Customer Helpline: 0345 640 0800**



Safety and Care Advice

Important - Please read these instructions fully before starting assembly

- Check you have all the components and tools listed on the page 2.
- Remove all fittings from the plastic bags and separate them into their groups.
- Keep children and animals away from the work area, small parts could choke if swallowed.
- Make sure you have enough space to layout the parts before starting.
- During assembly do not stand or put weight on the product, this could cause damage.
- Assemble the item as close to its final position (in the same room) as possible.
- Assemble on a soft level surface to avoid damaging the unit or your floor.
- Parts of the assembly will be easier with 2 people.



power drill is set on a low torque setting.

- To reduce the likelihood of damaging your product please ensure that your

Care and maintenance

- Only clean using a damp cloth and mild detergent, do not use bleach or abrasive cleaners.
- From time to time check that there are no loose screws on this unit.
- This product should not be discarded with household waste. Take to your local authority waste disposal centre.

Handy Hints

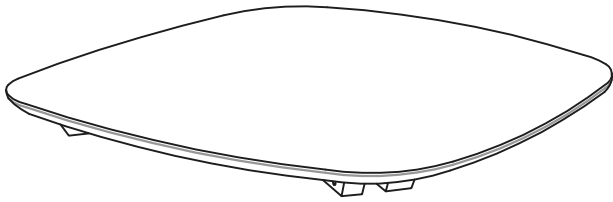
- Assemble all parts and bolts loosely during assembly, only once the product is complete should you fully tighten the bolts
- Regularly check and ensure that all bolts and fittings are tightened properly.

Note: if required the next page can be cut out and used as reference throughout the assembly. Keep this page with these instructions for future reference.

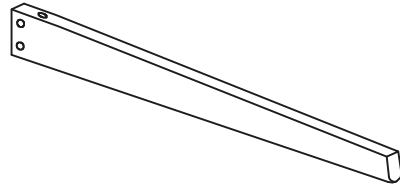
Components - Panels

If you have damaged or missing components, call the Customer Helpline: 0345 6400800

Please check you have all the fittings listed below



1 Table Top
(45 x 45)cm

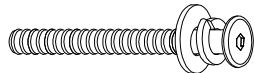
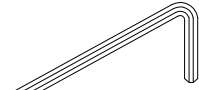
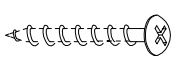


2 Table Leg x 4
(45.8 x 5.4)cm

Components - Fittings

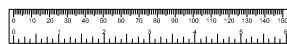
Please check you have all the fittings listed below

Note: The quantities below are the correct amount to complete the assembly for one table. In some cases more fittings may be supplied than are required.

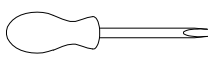
| | | |
|--|--|--|
| <p>A </p> <p>70mm Bolt + Spring Washer + Flat Washer x 8</p> | <p>B </p> <p>Allen Key x 1</p> | <p>C </p> <p>32mm Pan Head Screw x 4</p> |
| | | |

Tools required

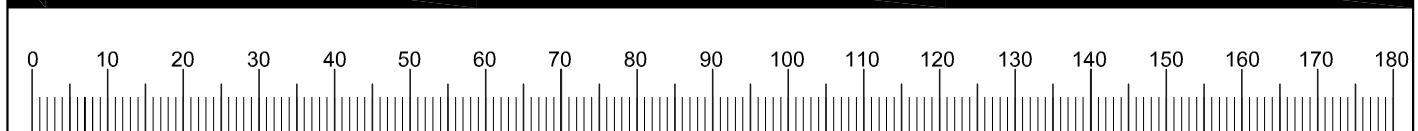
 Phillips screwdriver (medium & large)



Ruler/tape measure

 Flatblade screwdriver (medium)

Ruler - Use this ruler to help correctly identify screws.



Assembly Instructions

Step 1

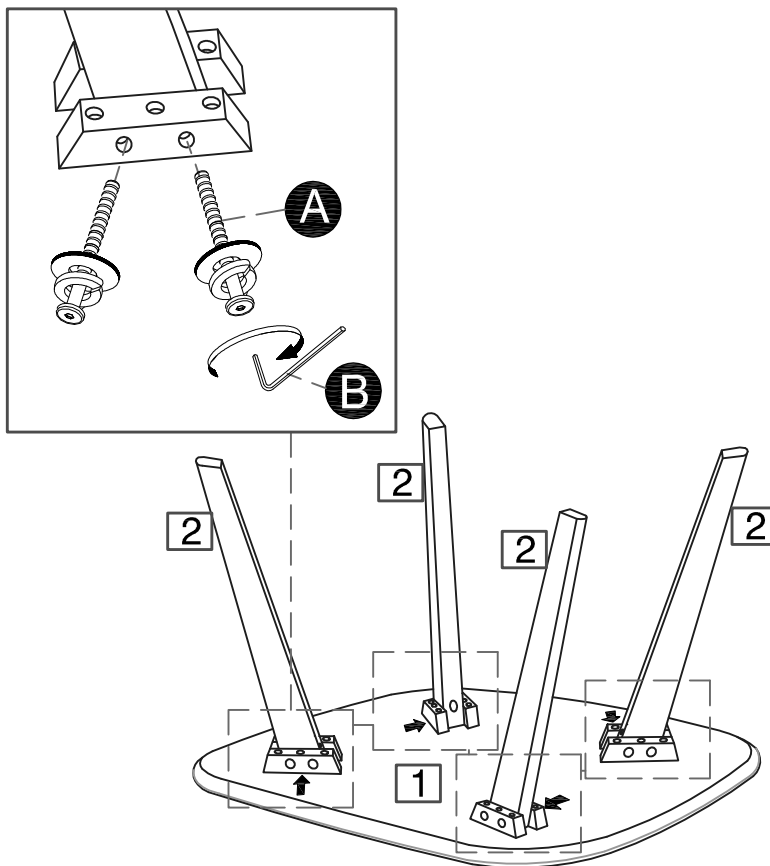
Table Leg

Locate the table leg **2**
at 4 support table top **1**

Assemble Bolt **A** + Spring Washers + Flat Washer through table support hole using Allen key **B**.

Note: The arrow shows the direction that the bolt to fix in.

Tighten the Bolts, and repeat for all legs.

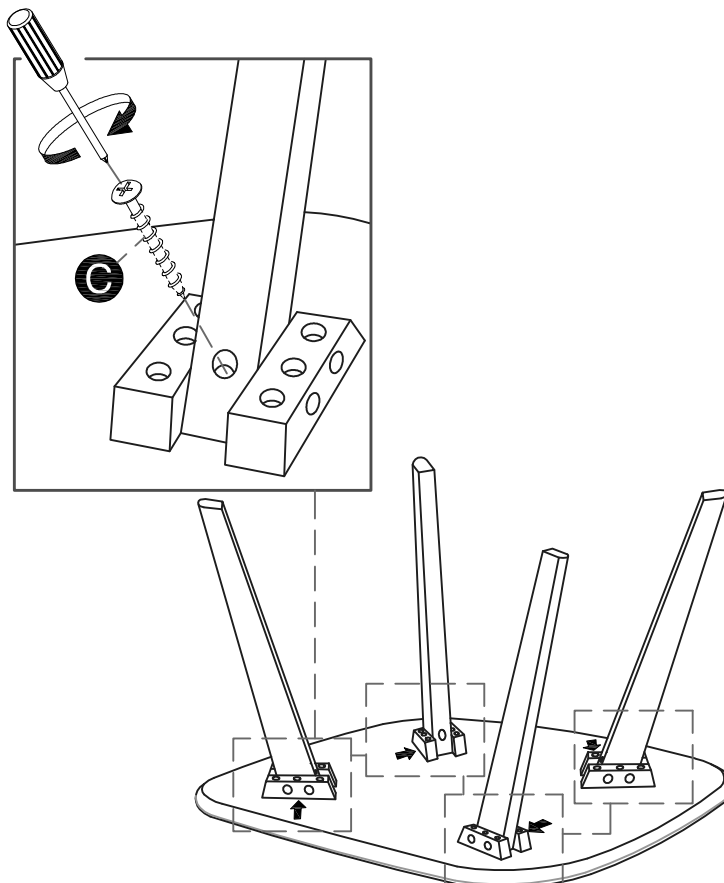


Step 2

Table Leg

Assemble Pan Head Screw **C** onto the hole of leg using Screwdriver.

Tighten the Screw, and repeat for all legs.



Assembly Instructions

Step 3

Finishing the unit

Carefully turn the unit upright.

Note: Before use always make sure the unit is secure.



Assembly is complete.

If you need help or have damaged or missing parts, call the **Customer Helpline: 0345 640800**