

Wow Hygena Bay Bar Stool

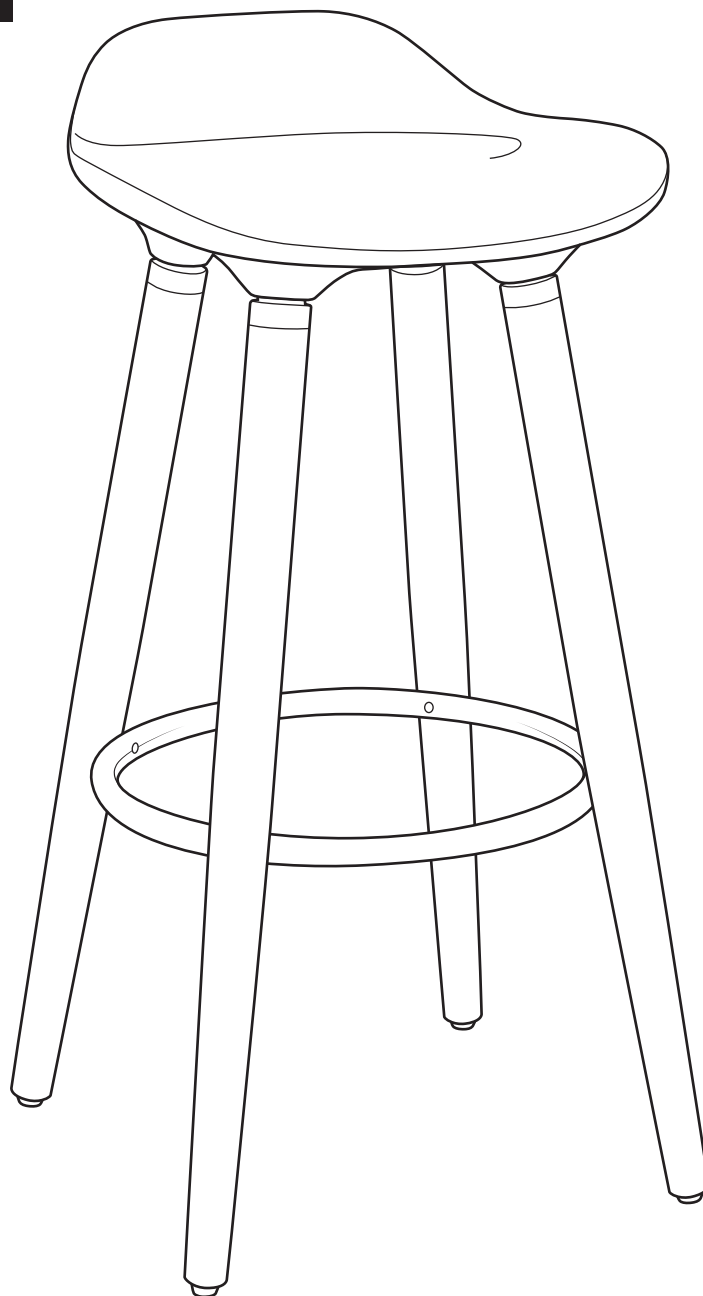
Assembly Instructions - Please keep for future reference

457/6169

482/8697

460/6589

hygena



Dimensions

Width - 39.5cm

Depth - 39.5cm

Height - 81cm

Important - Please read these instructions fully before starting assembly

If you need help or have damaged or missing parts, call the **Customer Helpline:**
Argos = 0345 640 0800



Safety and Care Advice

Important - Please read these instructions fully before starting assembly

- Check you have all the components and tools listed on the following pages.
- Remove all fittings from the plastic bags and separate them into their groups.
- Keep children and animals away from the work area, small parts could choke if swallowed.
- Make sure you have enough space to layout the parts before starting.

- During assembly do not stand or put weight on the product, this could cause damage.
- Assemble the item as close to its final position (in the same room) as possible.
- Assemble on a soft level surface to avoid damaging the unit or your floor.
- Parts of the assembly will be easier with 2 people.



• We do not recommend the use of power drill/drivers **for inserting screws**, as this could damage the unit. Only use hand screwdrivers.

- Unit weight: 4.66 kgs.
- Maximum safe weight of user: 110kgs.

Care and maintenance

- Only clean using a damp cloth and mild detergent, do not use bleach or abrasive cleaners.
- From time to time check that there are no loose screws on this unit.

- Do not stand on the product.
- Do not use this product as step ladder.
- This product should not be discarded with household

waste. Take to your local authority waste disposal centre.

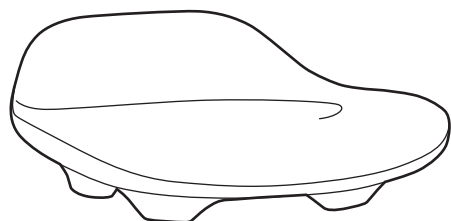
Handy Hints

- Assemble all parts and bolts loosely during assembly, only once the product is complete should you fully tighten the bolts.
- Regularly check and ensure that all bolts and fittings are tightend properly.

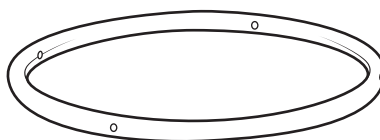
Components - Parts

If you have damaged or missing components, call the Customer Helpline: Argos = 0345 640 0800

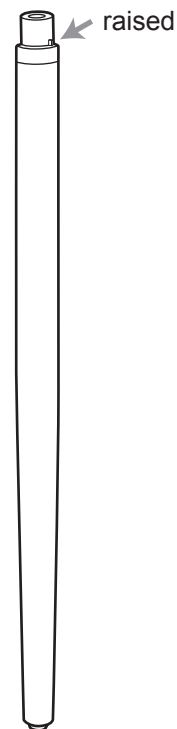
Please check you have all the parts listed below



1 Seat
(39 x 38.5 x 16cm)



2 Stretcher
(Ø36 x 1.8cm)

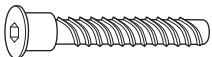
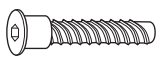




3 Leg x 4
(Ø2.7/Ø4 x 69cm)

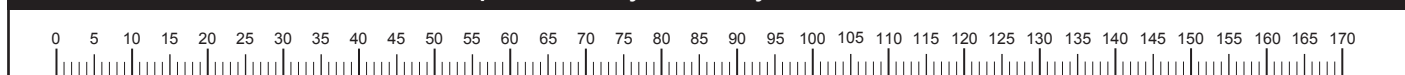
Components - Fittings

Please check you have all the fittings listed below

Note: The quantities below are the correct amount to complete the assembly. In some cases more fittings may be supplied than are required.

<p>A </p> <p>M7 x 40mm Bolt x 4</p>	<p>B </p> <p>M5 x 30mm Screw x 4</p>	<p>C </p> <p>Big allen key x 1</p>
<p>D </p> <p>Small allen key x 1</p>		

Ruler - Use this ruler to help correctly identify the screws



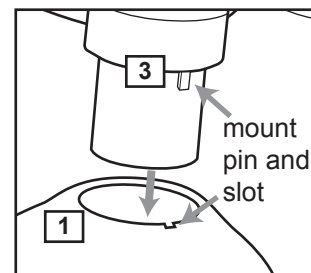
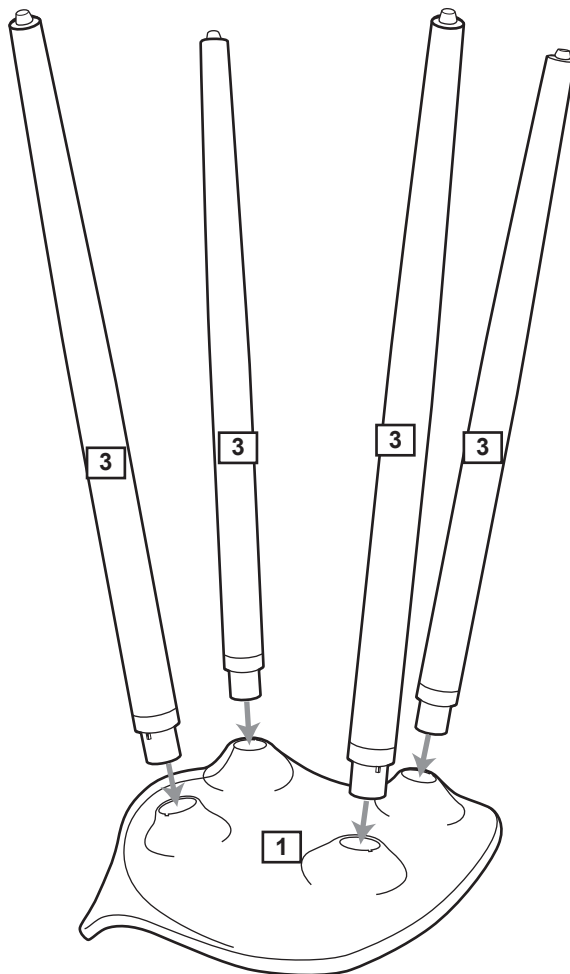
Assembly Instructions

Step 1

Attaching legs

Place the seat **1** face down on a flat and protected surface.

While aligning the mount pin to slot hole in the seat, insert the legs **3** into holes on the seat as shown.



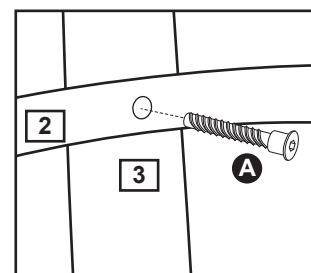
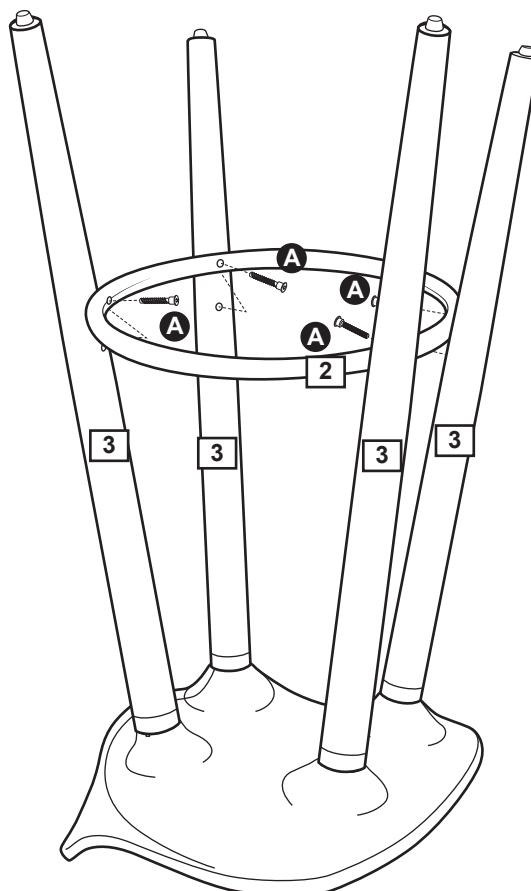
Step 2

Attaching stretcher

Position the stretcher **2** between the legs **3** as shown. Align holes and fix using bolts **A**.



Important: Tighten bolts using big allen key **C** but do not fully tighten at this stage.

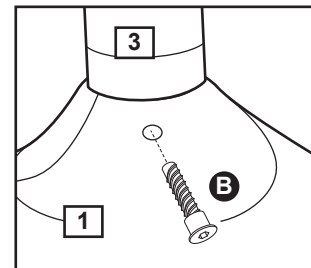
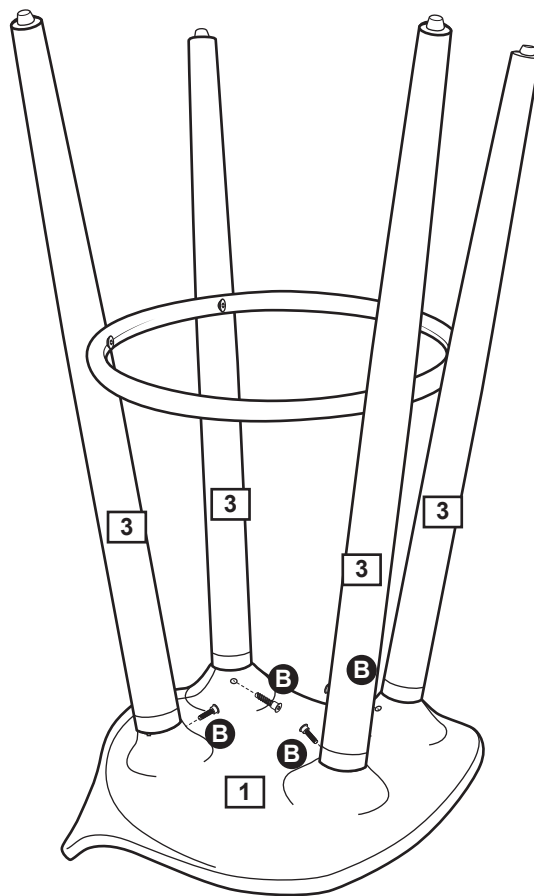


Assembly Instructions

Step 3

Securing the legs

Fix the legs **3** to the seat **1** using bolts **B**.
Tighten bolts using small allen key **D**.

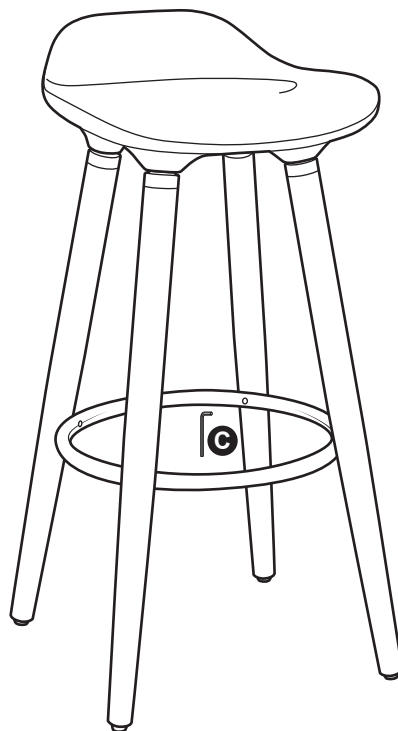


Step 4

Aligning legs

Carefully turn the bar stool upright and place on a flat surface.

Carefully make adjustments to the leg frame to ensure the legs are flat even on the floor. Then fully tighten bolts **A** on stretcher using allen key **C**.



Assembly is complete.

If you need help or have damaged or missing parts, call the **Customer Helpline:**
Argos = 0345 640 0800