

SINGER®

Instruction Manual

IMPORTANT SAFETY INSTRUCTIONS

When using an electrical appliance, basic safety should always be followed, including the following:

Read all instructions before using this sewing machine.

DANGER - To reduce the risk of electric shock:

1. An appliance should never be left unattended when plugged in.
2. Always unplug this appliance from the electric outlet immediately after using and before cleaning.
3. Always unplug before re-lamping. Replace bulb with same type rated 10 watts (110-120V area) or 15 watts (220-240V area).

WARNING - To reduce the risk of burns, fire, electric shock, or injury to persons:

1. Do not allow to be used as a toy. Close attention is necessary when this appliance is used by or near children.
2. Use this appliance only for its intended use as described in this manual. Use only attachments recommended by the manufacturer as contained in this manual.
3. Never operate this appliance if it has a damaged cord or plug, if it is not working properly, if it has been dropped or damaged, or dropped into water. Return the appliance to the nearest authorized dealer or service center for examination, repair, electrical or mechanical adjustment.
4. Never operate the appliance with any air openings blocked. Keep ventilation openings of the sewing machine and foot controller free from accumulation of lint, dust, and loose cloth.
5. Keep fingers away from all moving parts. Special care is required around the sewing machine needle.
6. Always use the proper needle plate. The wrong plate can cause the needle to break.
7. Do not use bent needles.
8. Do not pull or push fabric while stitching. It may deflect the needle

causing it to break.

9. Switch the sewing machine off ("O") when making any adjustments in the needle area, such as threading needle, changing needle, threading bobbin, or changing presser foot, and the like.
10. Always unplug sewing machine from the electrical outlet when removing covers, lubricating, or when making any other user servicing adjustments mentioned in the instruction manual.
11. Never drop or insert any object into any opening.
12. Do not use outdoors.
13. Do not operate where aerosol spray products are being used or where oxygen is being administered.
14. To disconnect, turn all controls to the off ("O") position, then remove plug from outlet.
15. Do not unplug by pulling on cord. To unplug, grasp the plug, not the cord.
16. The sound pressure level under normal operating conditions is 75dB(A).
17. Please turn off the machine or unplug when the machine is not operating properly.
18. Never place anything on the foot controller.
19. If the supply cord that is fixed with foot controller is damaged, it must be replaced by the manufacturer or its service agent or a similar qualified person in order to avoid a hazard.
20. This appliance is not intended for use by persons (including children) with reduced physical, sensory or mental capabilities, or lack of experience and knowledge, unless they have been given supervision or instruction concerning use of the appliance by a person responsible for their safety.
21. Children should be supervised to ensure that they do not play with the appliance.

SAVE THESE INSTRUCTIONS

This sewing machine is intended for household use only.

Congratulations

As the owner of a new Singer sewing machine, you are about to begin an exciting adventure in creativity. From the moment you first use your machine, you will know you are sewing on one of the easiest to use sewing machines ever made.

May we recommend that, before you start to use your sewing machine, you discover the many advantages and the ease of operation by going through this instruction book, step by step, seated at your machine.

To ensure that you are always provided with the most modern sewing capabilities, the manufacturer reserves the right to change the appearance, design or accessories of this sewing machine when considered necessary.

SINGER is a registered trademark of The Singer Company Limited or its affiliates.

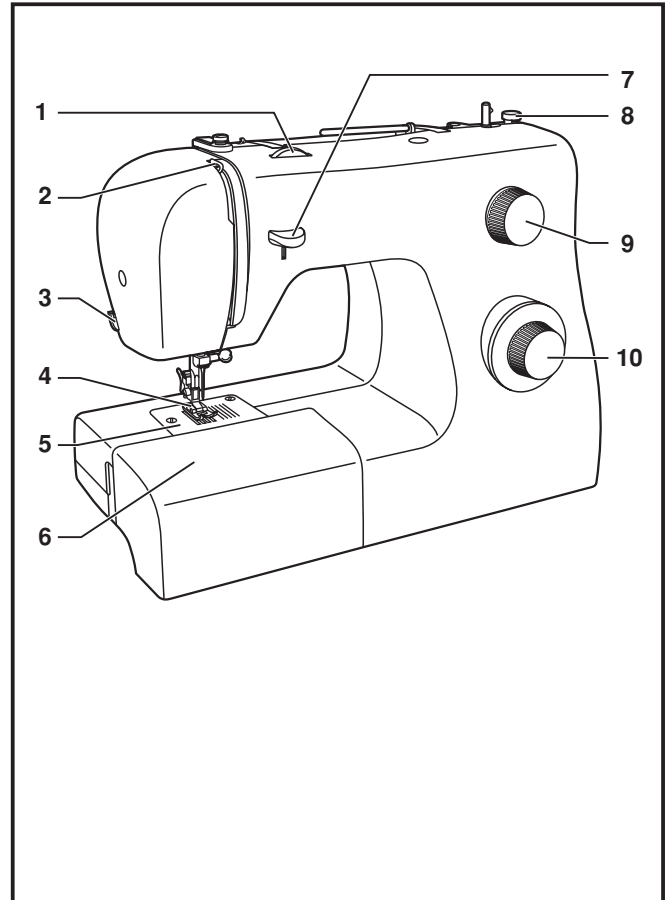
©2008 The Singer Company Limited or its affiliates. All rights reserved.

□ List of contents

Principal parts of the machine	2/3	Zig-zag stitching	20
Accessories	4	Blind hem/ Lingerie stitch	21
Installing the removable extension table.....	5	Sewing on buttons	22
Connecting machine to power source	6	Sew 4-step buttonholes	23
Changing the bulb.....	7	Zippers and piping	24
Two-step presser foot lifter/ Darning plate.....	8	Multti-stitch zig-zag/ Bar tack.....	25
Attaching the presser foot shank	9	Free motion darning, stippling	26
Winding the bobbin.....	10	Decorative stitches	27
Inserting the bobbin	11	Applique and blindstitch applique	28
Inserting and changing needles.....	12	Quilting functions	29
Threading the upper thread	13	Mending	30
Thread tension.....	14	Stay-stitching	31
Raising the bobbin thread.....	15	Traditional pintucks.....	32
Reverse sewing/ Removing the work/ Cutting the thread...16		Gathering.....	33
Matching needle/ fabric/ thread	17	Couching.....	34
How to choose your pattern.....	18	Maintenance	35
Straight stitching and needle position	19	Trouble shooting guide	36

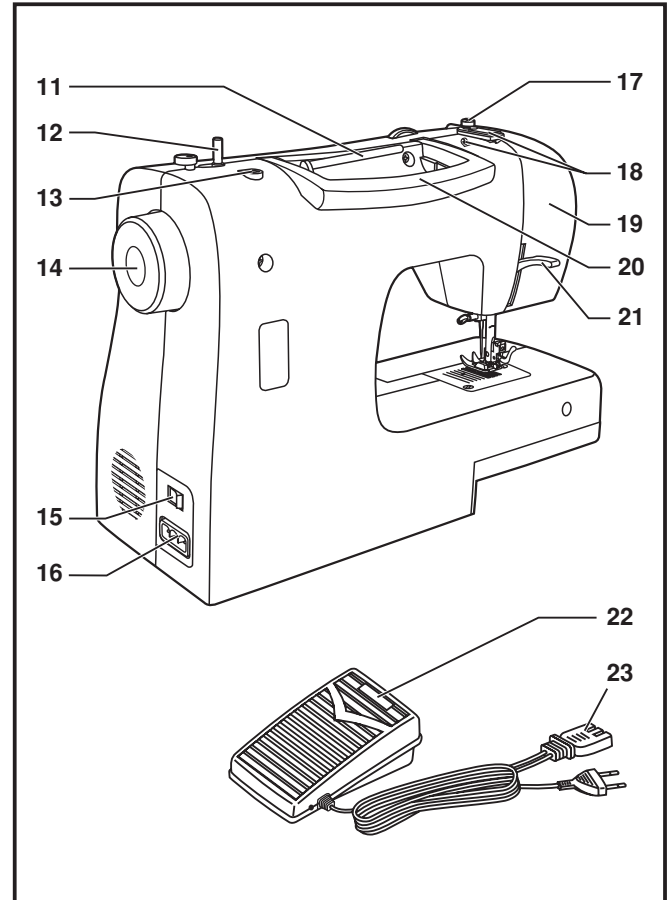
□ Principal parts of the machine

1. Thread tension dial
2. Thread take-up lever
3. Thread cutter
4. Presser foot
5. Needle plate
6. Removable extension table/ accessory storage
7. Reverse sewing lever
8. Bobbin stopper
9. Stitch length dial
10. Pattern selector dial



□ Principal parts of the machine

11. Horizontal spool pin
12. Bobbin winder
13. Hole for second spool pin
14. Handwheel
15. Power and light switch
16. Main plug socket
17. Bobbin thread guide
18. Upper thread guide
19. Face plate
20. Handle
21. Presser foot lever
22. Foot speed control
23. Power cord



□ Accessories

Standard accessories (1)

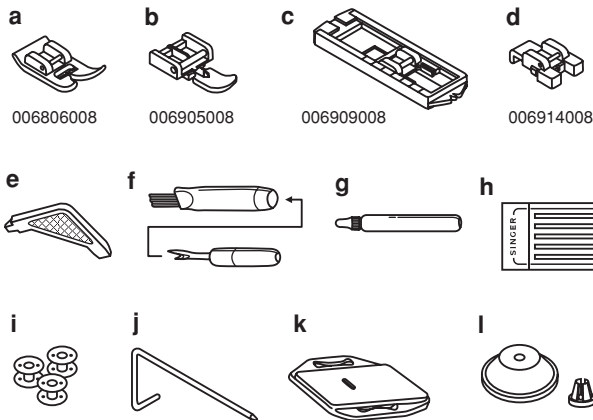
- a. All purpose foot
- b. Zipper foot
- c. Buttonhole foot
- d. Button sewing foot
- e. L-screwdriver
- f. Seam ripper/ brush
- g. Oil bottle
- h. Pack of needles
- i. Bobbin (3x)
- j. Edge/ quilting guide
- k. Darning plate
- l. Spool holder

Optional accessories (2)

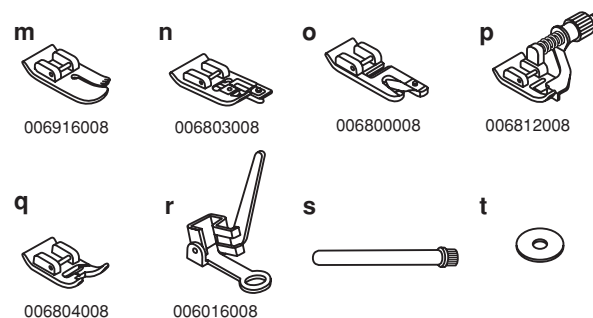
(These 8 accessories are not supplied with this machine; they are however available as special accessories from your local dealer.)

- m. Quilting foot
- n. Overcasting foot
- o. Hemmer foot
- p. Blind hem foot
- q. Satin stitch foot
- r. Darning foot
- s. Second spool pin
- t. Spool pin felt

1 Standard accessories

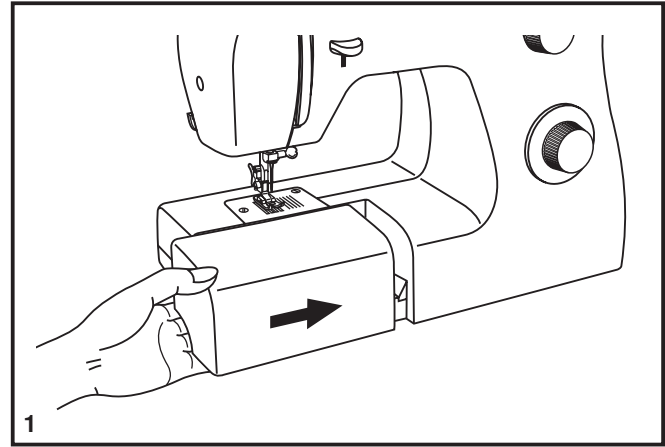


2 Optional accessories



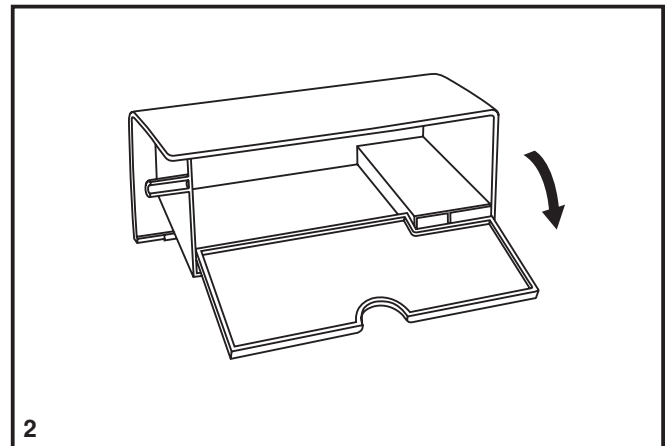
□ **Installing the removable extension table**

Hold the removable extension table horizontal, and push it in the direction of the arrow. (1)



The inside of the removable extension table can be utilized as an accessory box.

To open, flip cover down as shown. (2)



□ Connecting machine to power source

Connect the machine to a power source as illustrated. (1)
This appliance is equipped with a polarized plug which must be used with the appropriate polarized outlet. (2)

Attention:

Unplug power cord when machine is not in use.

Foot control

The foot control pedal regulates the sewing speed. (3)

Attention:

Consult a qualified electrician if in doubt of how to connect machine to power source.

Unplug power cord when machine is not in use.

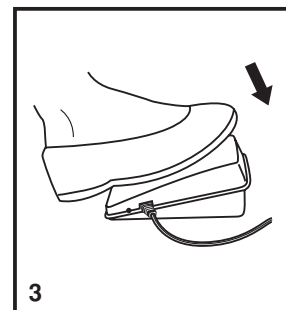
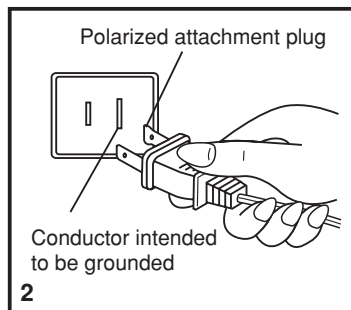
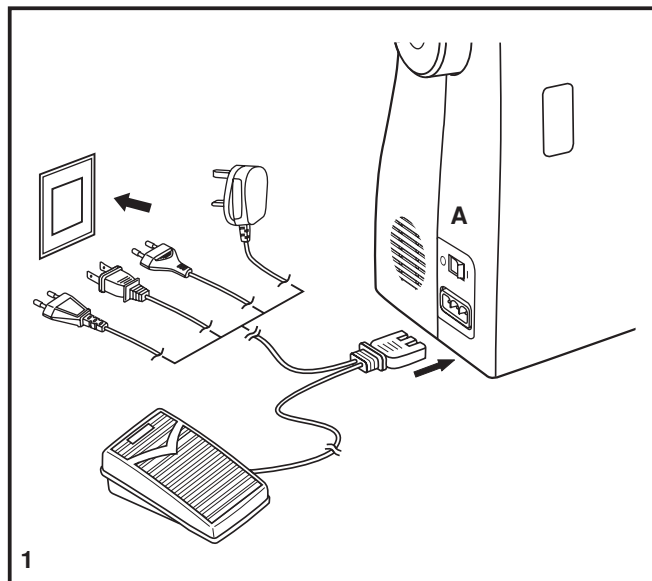
The foot control must be used with the appliance by KD-1902 (110-120V area)/ KD-2902 (220-240V area) manufactured by ZHEJIANG FOUNDER MOTOR CORPORATION LTD. (China)

Sewing light

Press main switch (A) to "I" for power and light.

IMPORTANT NOTICE

For appliance with a polarized plug (one blade is wider than the other). To reduce the risk of electric shock, this plug is intended to fit in a polarized outlet only one way. If it does not fit fully in the outlet, reverse the plug. If it still does not fit, contact a qualified electrician to install the proper outlet. Do not modify the plug in any way.



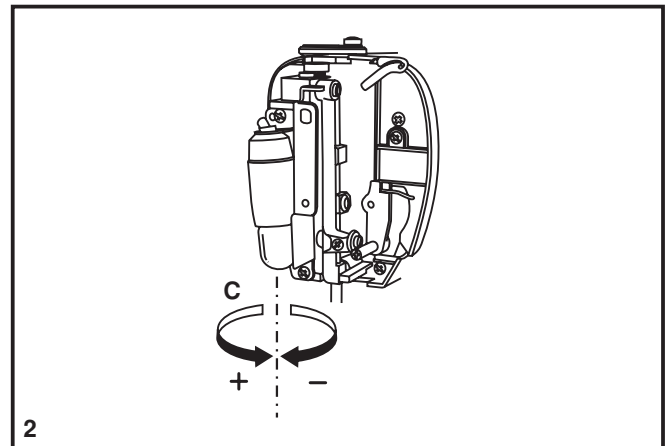
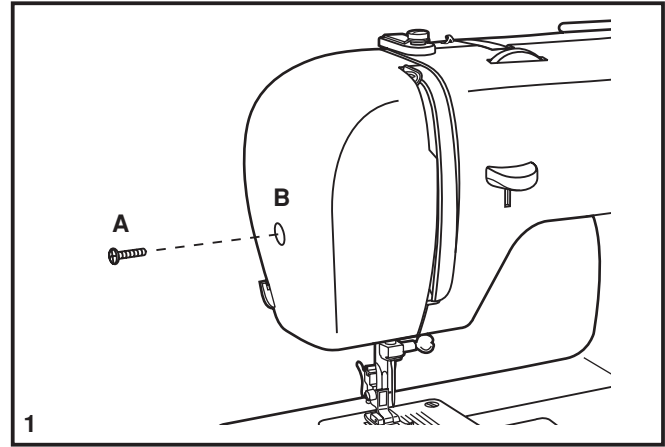
□ Changing the bulb

Disconnect the machine from the power supply by removing the plug from the main socket!

Replace bulb with same type rated 10 watts (110-120V area) or 15 watts (220-240V area).

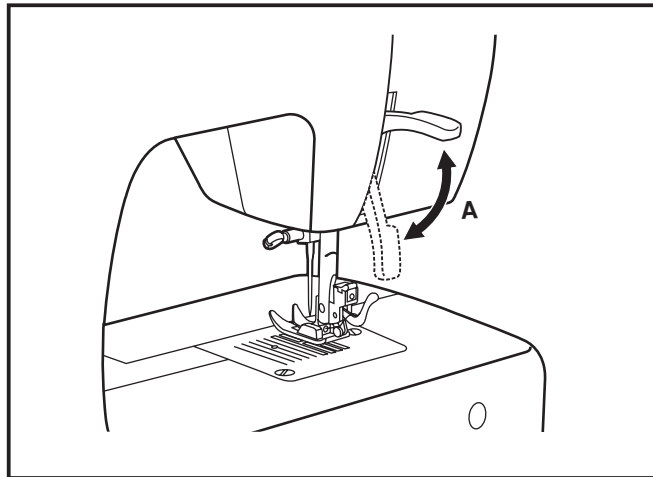
- Loosen screw (A) as illustrated. (1)
- Remove the face plate (B).
- Unscrew the bulb and install a new one (C). (2)
- Replace the face plate and tighten screw.

Should there be any problem, consult your SINGER® retailer.



Two-step presser foot lifter

When sewing several layers or thick fabrics, the presser foot lifter can be raised to a higher rise position for easy positioning of the work. (A)

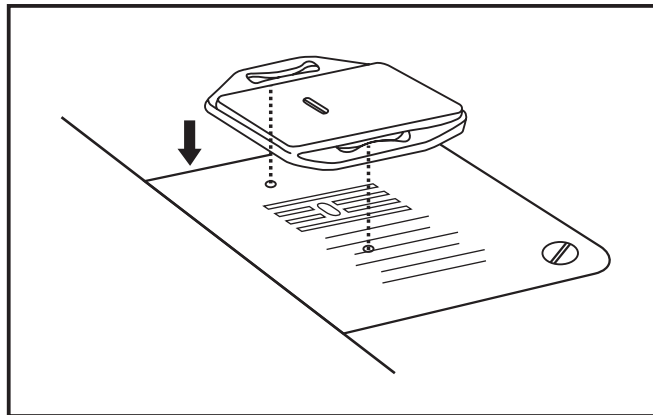


Darning plate

For certain types of work, (e.g. darning or free-hand embroidery), the darning plate must be used.

Install the darning plate as illustrated.

For normal sewing, remove the darning plate.



□ Attaching the presser foot shank

Raise the presser bar (a). Attach the presser foot shank (b) as illustrated. (1)

Attaching the presser foot

Lower the presser foot shank (b) until the cut-out (c) is directly above the pin (d). (2)

Raise the lever (e).

Lower the presser foot shank (b) and the presser foot (f) will engage automatically.

Removing the presser foot

Raise the presser foot. (3)

Raise the lever (e) and the foot disengages.

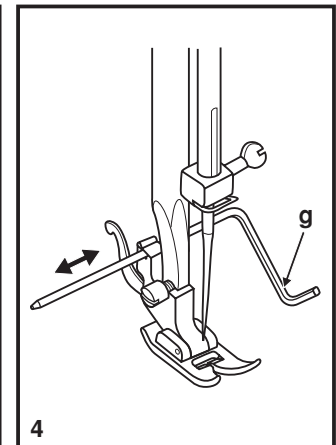
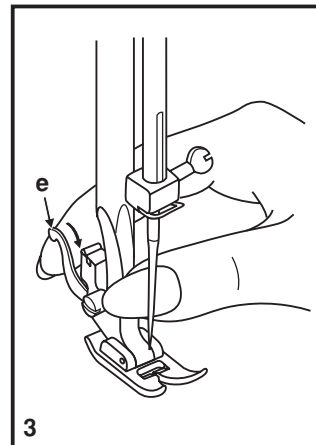
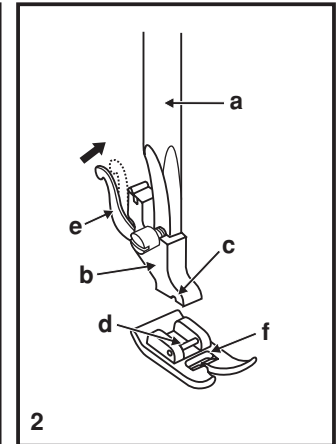
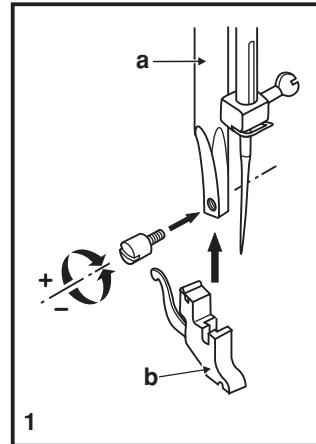
Attaching the edge/ quilting guide

Attach the edge/ quilting guide (g) in the slot as illustrated.

Adjust according to need for hems, pleats, etc. (4)

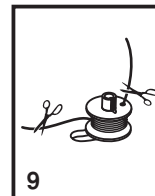
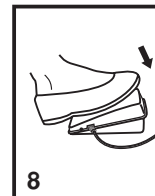
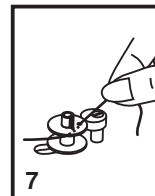
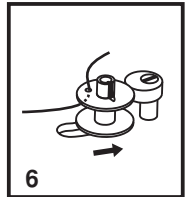
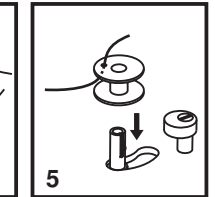
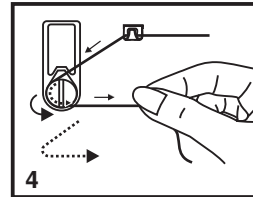
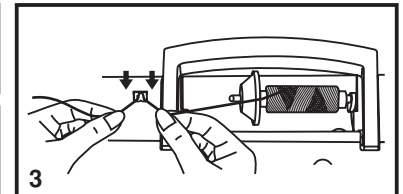
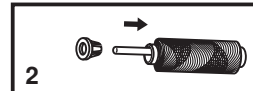
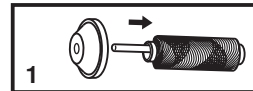
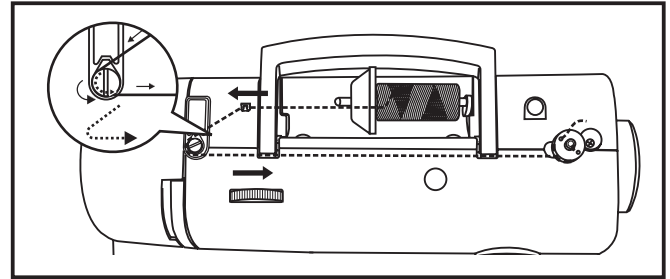
Attention:

Turn power switch to off ("O") when carrying out any of the above operations!



□ Winding the bobbin

- Place thread and corresponding spool holder on to spool pin. (1/2)
- Snap thread into thread guide. (3)
- Wind thread counterclockwise around bobbin winder tension discs. (4)
- Thread bobbin as illustrated and place on spindle. (5)
- Push bobbin spindle to right. (6)
- Hold thread end. (7)
- Step on foot control pedal. (8)
- Cut thread. (9)
- Push bobbin spindle to left (10) and remove.



Please Note:

When the bobbin winder spindle is in "bobbin winding" position, the machine will not sew and the hand wheel will not turn. To start sewing, push the bobbin winder spindle to the left (sewing position).

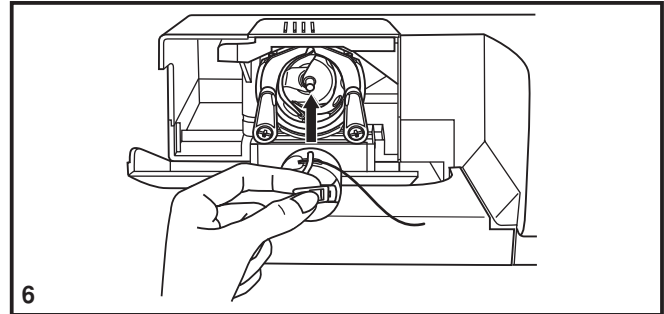
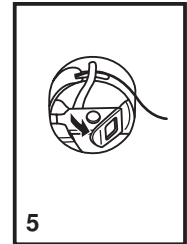
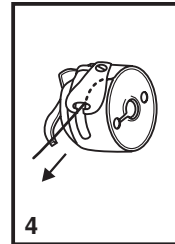
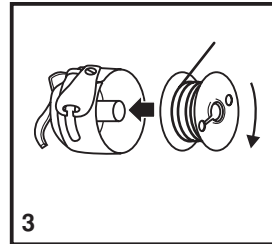
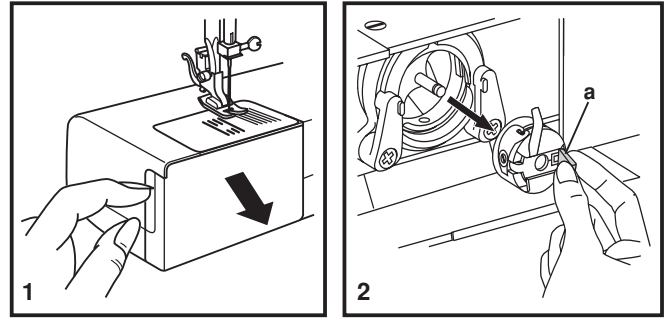
□ Inserting the bobbin

When inserting or removing the bobbin, the needle must be fully raised.

- Open the hinged cover. (1)
- Pull the bobbin case tab (a) and remove the bobbin case. (2)
- Hold the bobbin case with one hand. Insert the bobbin so that the thread runs in a clockwise direction (arrow). (3)
- Pull the thread through the slit and under the finger. (4)
Leave a 6 inch tail of thread.
- Hold the bobbin case by the hinged latch. (5)
- Insert it into the shuttle. (6)

Attention:

Turn power switch to off ("O") before inserting or removing the bobbin.



□ Inserting and changing needles

Change the needle regularly, especially if it is showing signs of wear and causing problems. For best sewing results always use SINGER® Brand Needles.

Insert the needle as illustrated as follows:

- A. Loosen the needle clamp screw and tighten again after inserting the new needle. (1)
- B. The flat side of the shaft should be towards the back.
- C/D. Insert the needle as far up as it will go.

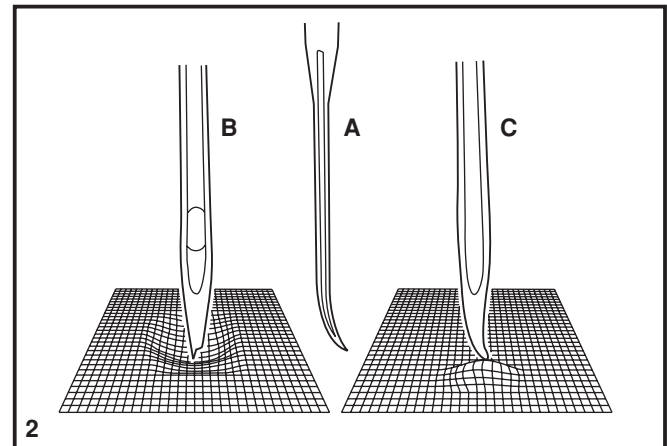
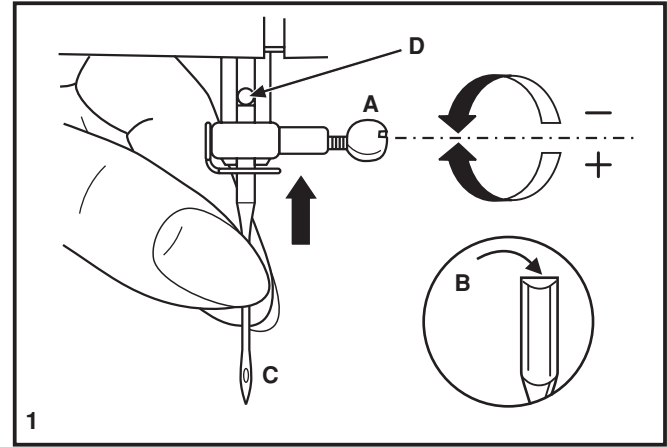
Attention:

Turn power switch to off ("O") before inserting or removing the needle.

Needles must be in perfect condition. (2)

Problems can occur with:

- A. Bent needles
- B. Damaged points
- C. Blunt needles



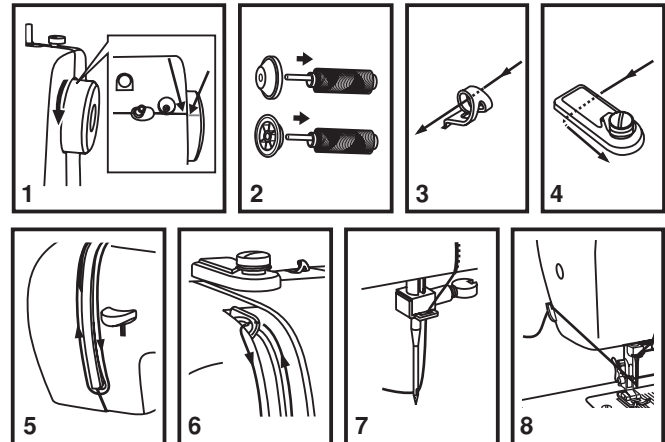
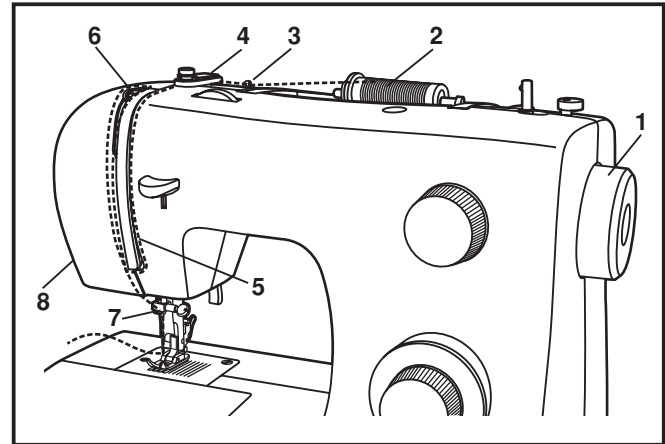
□ Threading the upper thread

This is a simple operation but it is important to carry out correctly as by not doing so several sewing problems could result.

- Start by raising the needle to its highest point (1), and continue turning the handwheel counterclockwise until the needle just slightly begins to descend. Raise the presser foot to release the tension discs.

Note: For safety, it is strongly suggested you turn off the power before threading.

- Lift up the spool pin. Place the spool of thread on the holder with the thread coming off the spool as shown. For small thread spools, place small side of spool holder next to spool. (2)
- Draw thread from spool through the upper thread guide (3) and pulling thread through pre-tension spring as illustrated. (4)
- Thread tension module by leading thread down right channel and up left channel. (5) During this process it is helpful to hold the thread between the spool and thread guide.
- At the top of this movement pass thread from right to left through the slotted eye of the take-up lever and then downwards again. (6)
- Now pass thread behind the thin wire needle clamp guide (7) and then down to the needle which should be threaded from front to back. (8)
- Pull about 6-8 inches of thread to the rear beyond the needle eye. Trim thread to length with built in thread cutter. (8)



□ Thread tension

Upper thread tension

Basic thread tension setting: "4"

To increase the tension, turn the dial to the next number up.

To reduce the tension, turn the dial to the next number down.

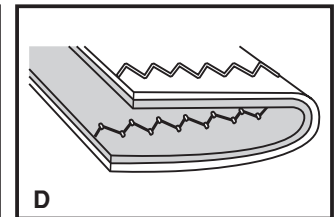
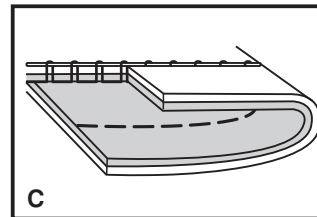
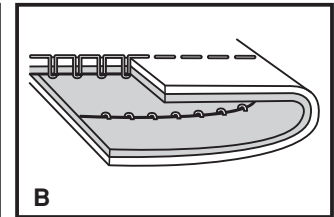
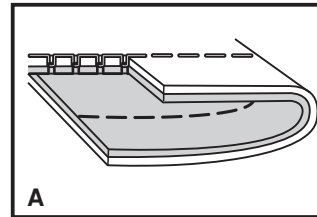
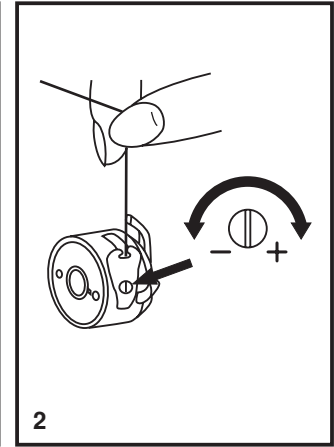
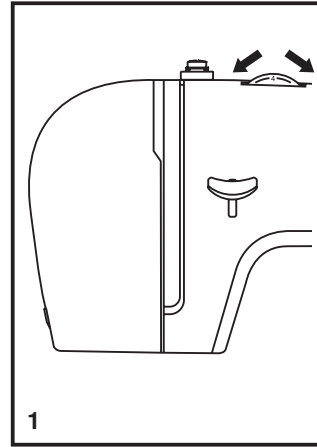
- A. Normal thread tension for straight stitch sewing.
- B. Thread tension too loose for straight stitch sewing. Turn dial to higher number.
- C. Thread tension too tight for straight stitch sewing. Turn dial to lower number.
- D. Normal thread tension for zig zag and decorative sewing.
Correct thread tension is when a small amount of the upper thread appears on the bottom side of fabric.

Lower thread tension

To test the bobbin thread tension, remove the bobbin case and bobbin and hold it by suspending it by the thread. Jerk it once or twice. If the tension is correct, the thread will unwind by about an inch or two. If the tension is too tight, it does not unwind at all. If the tension is too loose, it will drop too much. To adjust, turn the small screw on the side of the bobbin case.

Please note:

- Proper setting of tension is important to good sewing.
- There is no single tension setting appropriate for all stitch functions, thread or fabric.
- A balanced tension (identical stitches both top and bottom) is usually only desirable for straight stitch construction sewing.
- 90% of all sewing will be between "3" and "5".
- For zig zag and decorative sewing stitch functions, thread tension should generally be less than for straight stitch sewing.
- For all decorative sewing you will always obtain a nicer stitch and less fabric puckering when the upper thread appears on the bottom side of your fabric.

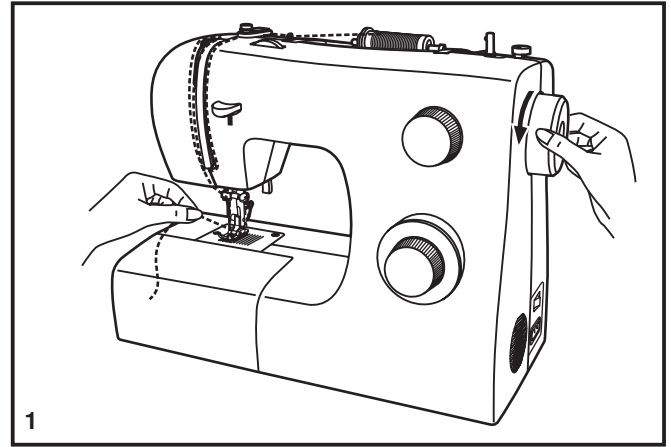


□ Raising the bobbin thread

Hold the upper thread with the left hand. Turn the handwheel (1) towards you (counterclockwise) lowering, then raising needle.

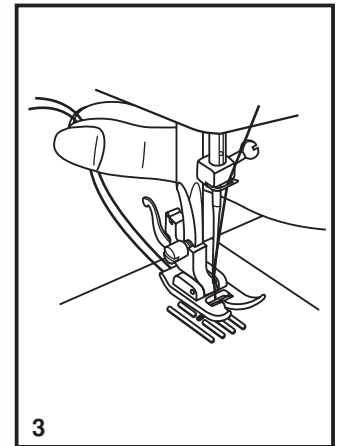
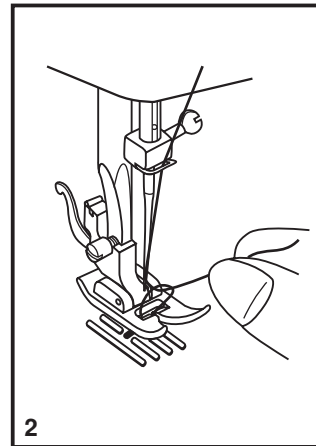
Note:

If it is difficult to raise the bobbin thread, check to make sure the thread is not trapped by the hinged cover or the Removable Extension Table.



Gently pull on the upper thread to bring the bobbin thread up through the needle plate hole. (2)

Lay both threads to the back under the presser foot. (3)



Reverse sewing

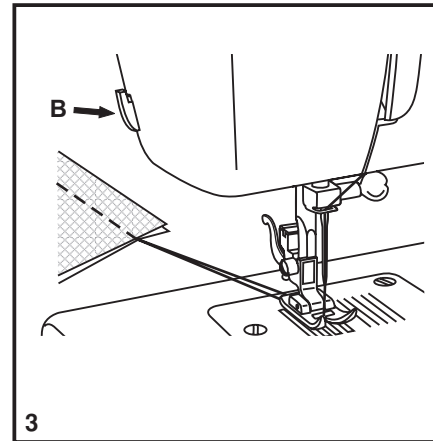
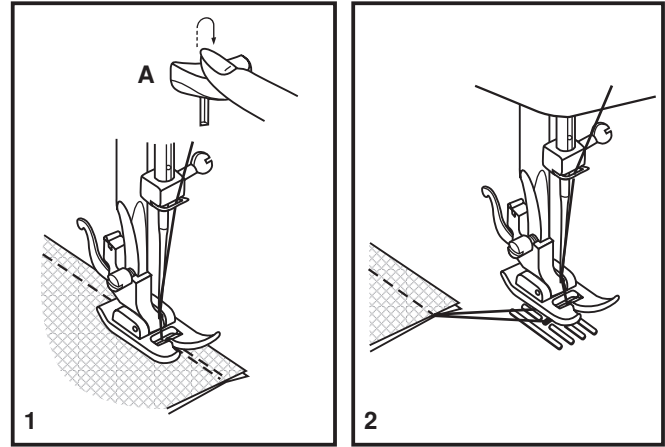
To secure the beginning and the end of a seam, press down the reverse sewing lever (A). Sew a few reverse stitches. Release the lever and the machine will sew forwards again. (1)

Removing the work

Turn the handwheel toward you (counterclockwise) to bring the thread take up lever to its highest position, raise the presser foot and remove work behind the needle and presser foot. (2)

Cutting the thread

Pull the threads under and behind the presser foot. Guide the threads to the side of the face plate and into thread cutter (B). Pull threads down to cut. (3)



Matching needle/ fabric/ thread

NEEDLE, FABRIC, THREAD SELECTION GUIDE

NEEDLE SIZE	FABRICS	THREAD
9-11 (70-80)	Lightweight fabrics-thin cottons, voile, serge, silk, muslin, interlocks, cotton knits, tricots, jerseys, crepes, woven polyester, shirt & blouse fabrics.	Light-duty thread in cotton, nylon, polyester or cotton wrapped polyester.
11-14 (80-90)	Medium weight fabrics-cotton, satin, kettlecloth, sailcloth, double knits, lightweight woolens.	Most threads sold are medium size and suitable for these fabrics and needle sizes. Use polyester threads on synthetic materials and cotton on natural woven fabrics for best results. Always use the same thread on top and bottom.
14 (90)	Medium weight fabrics-cotton duck, woolen, heavier knits, terrycloth, denims.	
16 (100)	Heavyweight fabrics-canvas, woolens, outdoor tent and quilted fabrics, denims, upholstery material (light to medium).	Heavy duty thread, carpet thread.
18 (110)	Heavy woolen, overcoat fabrics, upholstery fabrics, some leathers and vinyls.	

IMPORTANT: Match needle size to thread size and weight of fabric.

NEEDLE, FABRIC SELECTION

NEEDLES	EXPLANATION	TYPE OF FABRIC
SINGER® 2020	Standard sharp needles. Sizes range thin to large. 9 (70) to 18 (110).	Natural woven fabrics-wool, cotton, silk, etc. Not recommended for double knits.
SINGER® 2045	Semi-ball point needle, scarfed. 9 (70) to 18 (110).	Natural and synthetic woven fabrics, polyester blends. Knits-polyesters, interlocks, tricot, single and double knits. Also sweater knits, Lycra®, swimsuit fabric, elastic.
SINGER® 2032	Leather needles. 12 (80) to 18 (110).	Leather, vinyl, upholstery. (Leaves smaller hole than standard large needle.)

Note :

1. For best sewing results always use genuine SINGER® needles.
2. Replace needle often (approximately every other garment) and/ or at first thread breakage or skipped stitches.

□ How to choose your pattern

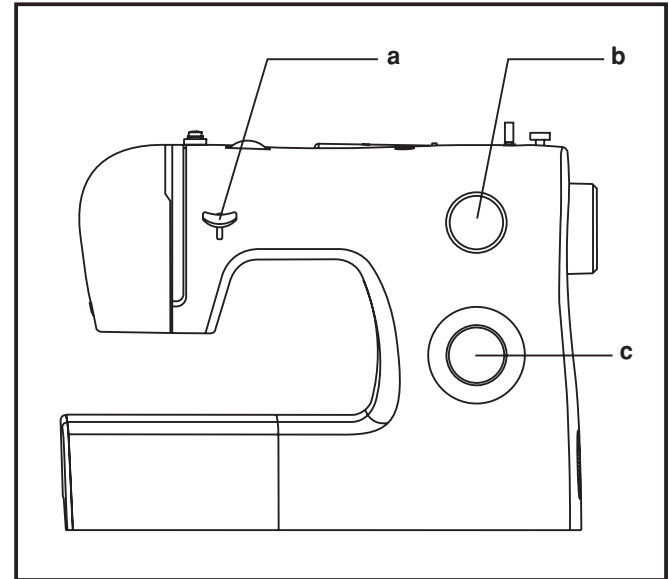
To select a stitch, simply turn the pattern selector dial. (c)

The pattern selector dial may be turned in either direction.

The following page shows the recommended range of stitch lengths.

Adjust the stitch length with the stitch length dial according to the fabric being used. (b)

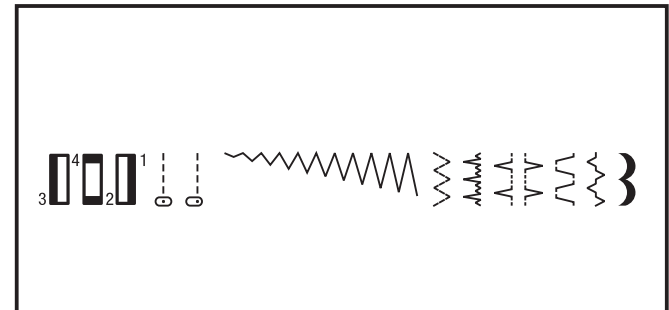
To obtain any of the patterns shown on the stitch selection panel, select the pattern with the stitch selector dial. Adjust the stitch length with the control dials according to the result desired.



a. Reverse sewing lever

b. Stitch length dial

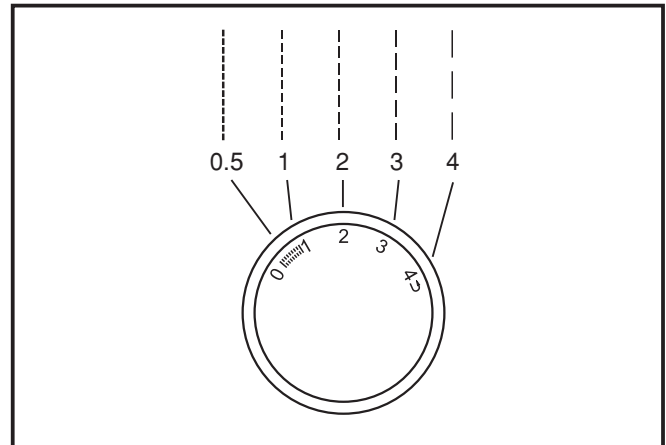
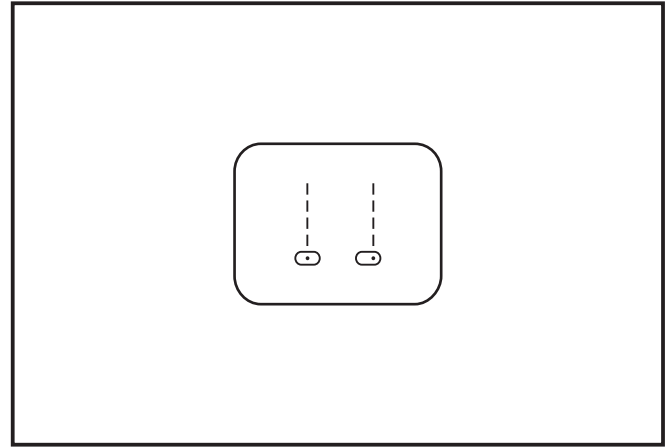
c. Pattern selector dial



□ Straight stitching and needle position

Turn the pattern selector dial so that the pointer is set to the straight stitch position. You can select center or right needle position.

Generally speaking, the thicker the fabric and needle, the longer the stitch should be. For a fine stitch set length at "1" or "2". For gathering, set stitch length to "4". For thick fabrics, set the stitch length between "3" or "4".



□ Zig-zag stitching

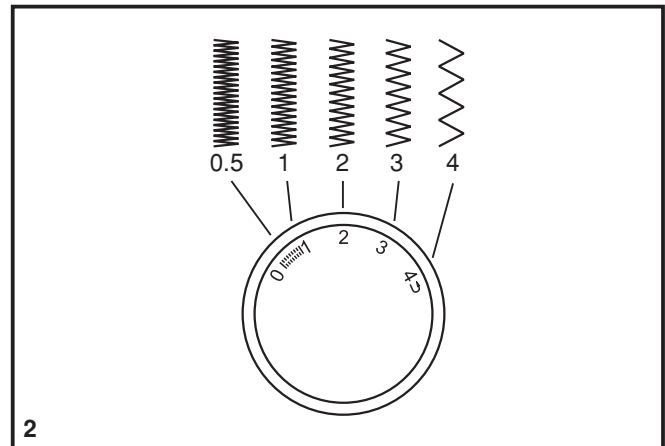
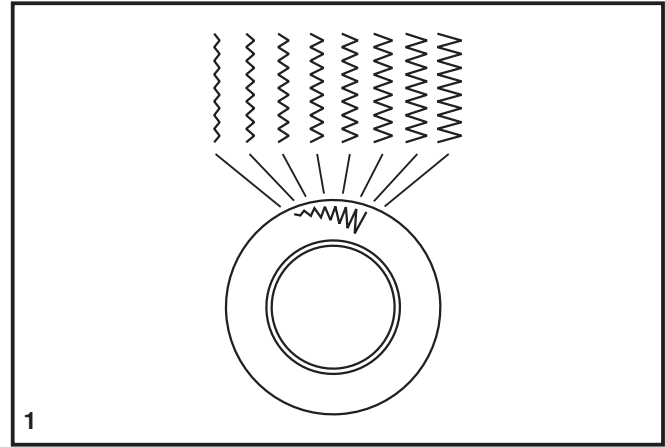
Turn the pattern selector dial to "~~~~~". (1)

Function of stitch length dial while zig-zaging

The density of zig-zag stitches increase as the setting of stitch length dial approaches "0".

Neat zig-zag stitches are usually achieved at "2.5" or below.

Dense zig-zag stitches (close together) are referred to as a satin stitch. (2)



□ Blind hem/ Lingerie stitch

For hems, curtains, trousers, skirts, etc.

..w..w.. Blind hem for stretch fabrics.

.A...A. Blind hem/ lingerie for firm fabrics.

Note:

It takes practice to sew blind hems.

Always make a sewing test first.

Blind Hem:

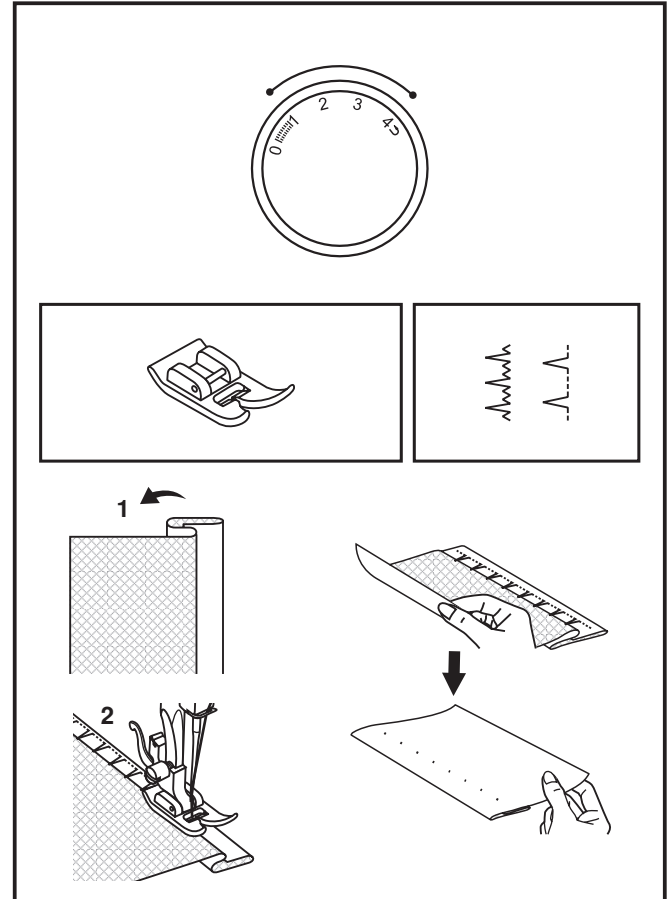
Turn up the hem to the desired width and press. Fold back (as shown in Fig. 1) against the right side of the fabric with the top edge of the hem extending about 7 mm. (1/4") to the right side of the folded fabric.

Start to sew slowly on the fold, making sure the needle touches slightly the folded top to catch one or two fabric threads. (2)

Unfold the fabric when hemming is completed and press.

Lingerie Stitch:

Turn up the hem to the desired width and press. Place fabric right side up with edge of hem to the left. Begin sewing so the needle swings off the left edge of the fabric to form a small scallop. Tightening the tension slightly will produce a deeper scallop.



□ Sewing on buttons

Install the darning plate. (1)

Change presser foot to button sewing foot. (2)

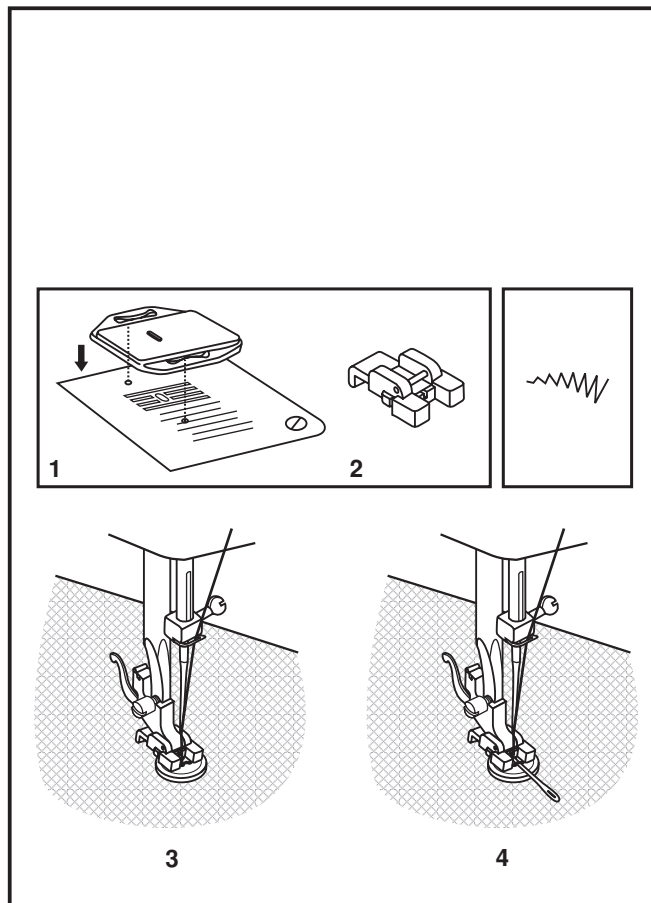
Position the work under the foot.

Place the button in the desired position and lower the foot.

Set the pattern selector knob on "⋮" and sew a few securing stitches. Select one of the two narrow zig-zag patterns according to the distance between the two holes of the button. Turn the handwheel to check if the needle goes into the right and the left hole of the button without hitting the button. Slowly sew on the button with about 10 stitches.

Select pattern "⋮" and sew a few securing stitches. (3)


If a shank is required, place a darning needle on top of the button and sew. (4) For buttons with 4 holes, sew through the front two holes first (3), push the work forward and then sew through the back two holes. (4)



□ Sew 4-step buttonholes

Prepare

1. Take off the all purpose foot and attach the buttonhole foot.
2. Measure diameter and thickness of button and add 0.3 cm (1/8") for bar tacks; mark buttonhole size on fabric.
3. Place fabric under the foot, so that marking on the buttonhole foot aligns with starting marking on fabric. Lower the foot, so that the buttonhole center line marked on the fabric aligns with the center of the buttonhole foot.

Adjust the stitch length dial in the "  " to set stitch density.

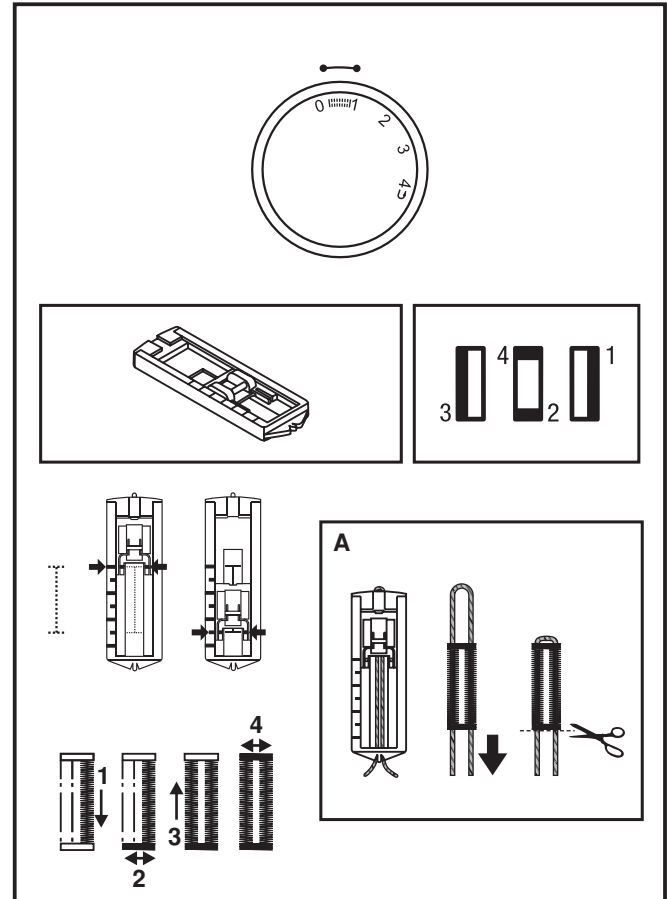
Note:

Density varies according to the fabric.
Always test sew a buttonhole on the fabric you are using to sew the buttonhole.

Follow the 4-step sequence changing from one step to another with the stitch pattern selector dial. Take care not to sew too many stitches in steps 2 and 4. Use seam ripper and cut buttonhole open from both ends towards the middle.


Tips:

- Slightly reducing upper thread tension will produce better results.
- Use a backing for fine or stretchy fabrics.
- It is advisable to use heavy thread or cord for stretch or knit fabrics.
- The zig-zag should sew over the heavy thread or cord. (A)



□ Zippers and piping

Set the machine as illustrated.

Dial selector on "  ".

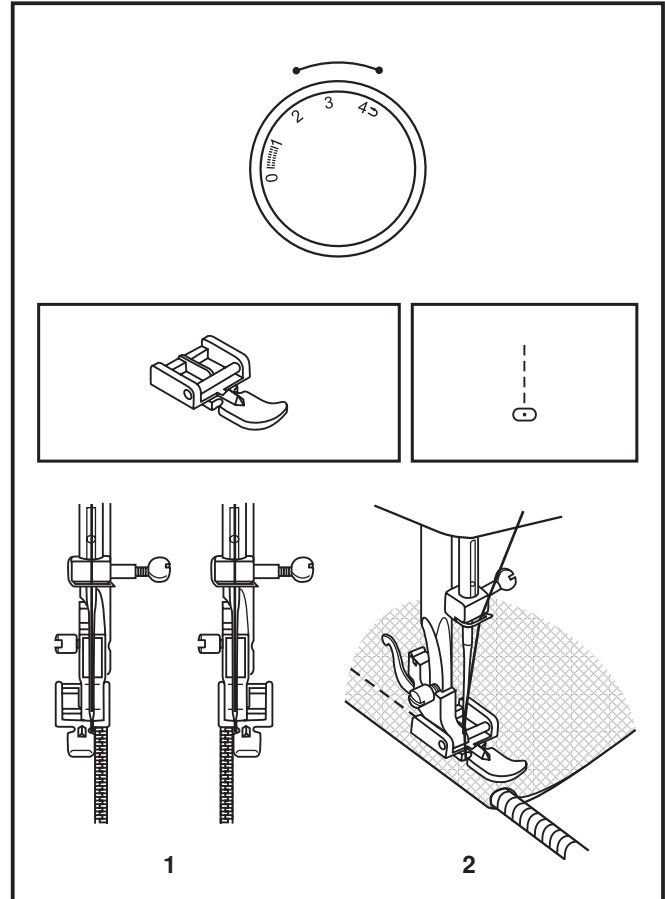
Change to zipper foot.

Set stitch length control between "2.5" - "4" (according to thickness of fabric).

The zipper foot can be attached right or left, depending on which side of the foot you are going to sew. (1)


To sew past the zipper tab, lower the needle into the fabric, raise the presser foot and push the zipper tab behind the presser foot. Lower the foot and continue to sew.

It is also possible to sew a length of cord into a bias strip to form a "welt" or piping. (2)



Multi-stitch zig-zag

For sewing on lace and elastic, darning, mending, and reinforcing edges.

Set the stitch pattern dial to " ".



For mending:

Place patch in position. The stitch length can be shortened to produce very close stitches. (1)

When mending tears, it is advisable to use a piece of backing fabric to reinforce. The stitch density can be varied by adjusting the stitch length. First sew over the center and then overlap on both sides. Depending on the type of fabric and damage, sew between 3 and 5 rows. (2)

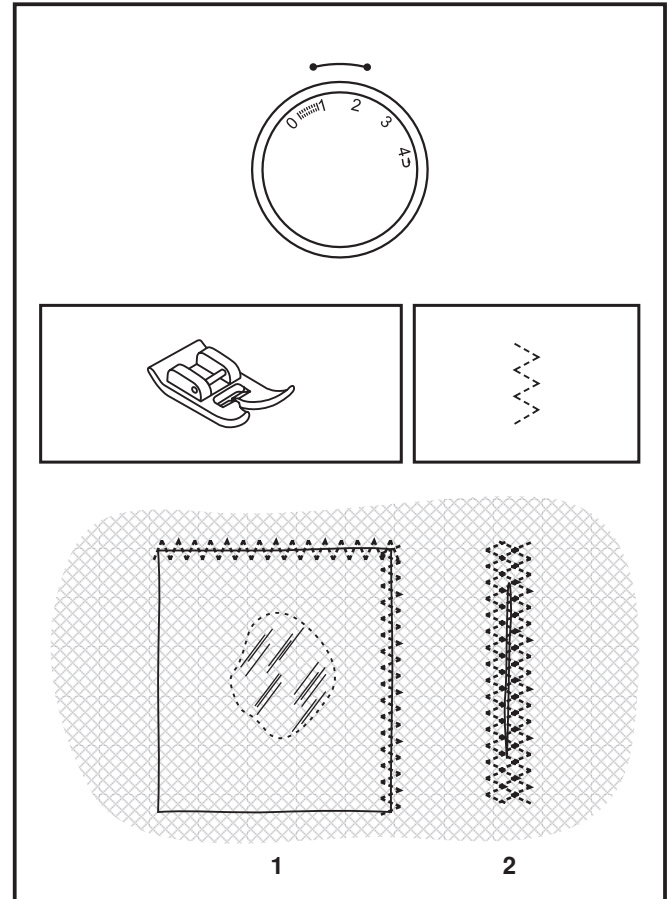
Bar tack

This function is used to secure the tops of kick pleats, as well as pocket openings.

Set the stitch pattern dial to "  " or " ".

Set the stitch length dial to "1" - "1.5".

First use a straight stitch across the top of the pocket or pleat. This seam should be approximately 1/4 to 1/2 of an inch long. Set stitch to zig-zag and stitch over the straight stitch. Backstitch at the beginning and end of stitch to secure ends.



□ Free motion darning, stippling

* The darning foot is an optional accessory not included with your machine. (1)

Set the machine as illustrated.

Darning:
Install the darning plate. (2)

Remove the presser foot shank. (3)

Attach the darning foot to the presser foot holder. The lever (a) should be behind the needle clamp screw (b). Press the darning foot on firmly from behind with your index finger and tighten the screw (c). (4)

For darning, first sew around the edge of the hole (to secure the threads). (5)

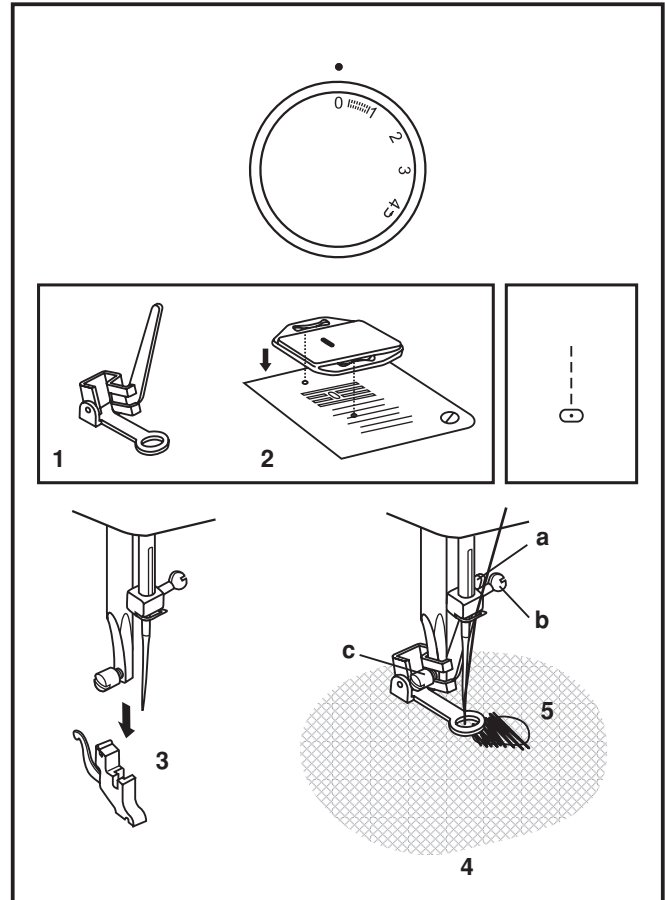
First row: Always work from left to right. Turn work by 90° and sew over previous stitching. A darning hoop is recommended for easier sewing and better results.

Note:

Free motion darning is accomplished without the sewing machine internal feed system. Movement of the fabric is controlled by the operator. It is necessary to coordinate sewing speed and movement of fabric.

Stippling:

Sew a straight stitch. Using the optional darning foot will help guide you as you sew, in a meandering fashion to create small curving lines to hold layers of fabric and batting together.



□ Decorative stitches

Set the machine as illustrated.

Turn the stitch length dial to suit the fabric and application.

Shell stitch (A)

For decorative edges.

Suitable for edges on sheer, fine and stretch fabrics.

The larger stitch should go just over the edge of the fabric to create the shell effect.

Rampart (B)

Gathering with cord or shirring elastic. This stitch can be used for firm, thicker fabrics.

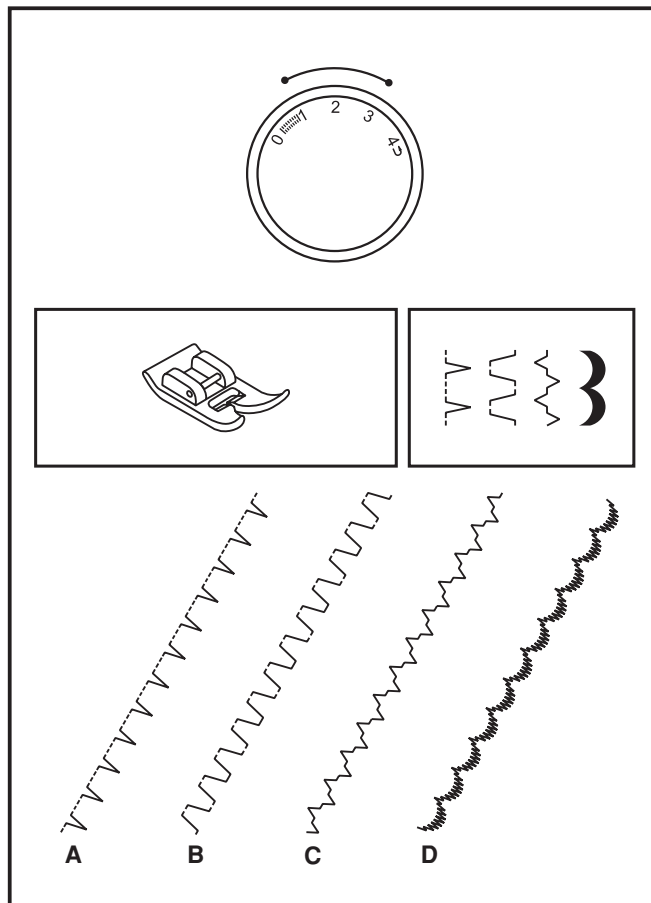
Bridging (C)

For seams, place mats, and tablecloths.

Decorative joining seam for a fagoted effect. Gathering with cord or shirring elastic.

Crescent stitch (D)

For a delicate edge finish along the edge of fabric. This stitch looks best with a stitch length set between "1" and "2".



□ Applique and blindstitch applique

Position applique piece on background fabric. Use the zig-zag stitch or the blindhem stitch.

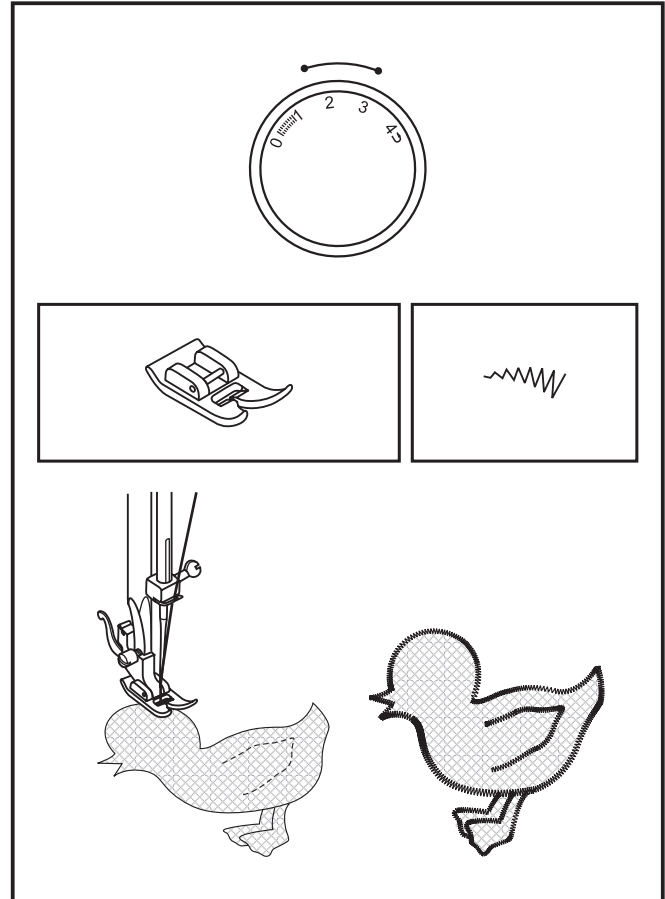
Align needle so that it pierces background fabric along the outside edge of the applique. Lower presser foot. Set stitch length between "1.5" and "3".

Begin sewing following the edge of your applique. To pivot for curves or corners, leave needle down in fabric on outside edge of applique, lift foot and pivot.

Tip:

If using the optional blindhem foot, align the lip of the blindhem foot guide so that it sits directly under the edge of the applique.

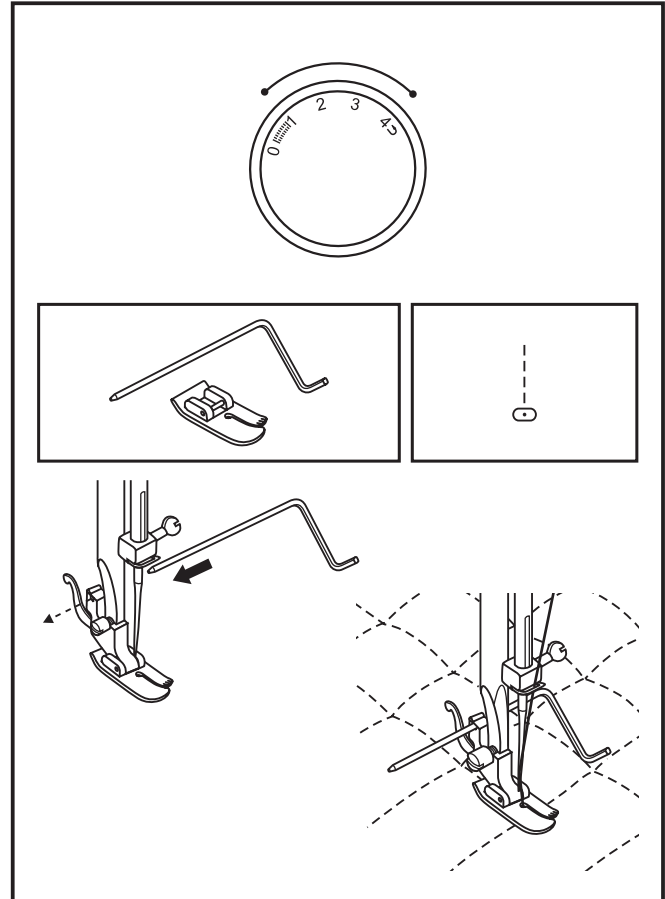
You may need to adjust the position of the guide to bring it closer or further from the edge of the applique, by using the thumbscrew located at the right of the foot.



□ Quilting functions

* The Quilting foot is an optional accessory not included with your machine. This foot is used to produce perfect 1/4" seams.

Use it to seam squares or patches and for channel quilting. The quilting guide supplied with your machine will help you sew straight, perfectly parallel lines.



□ Mending

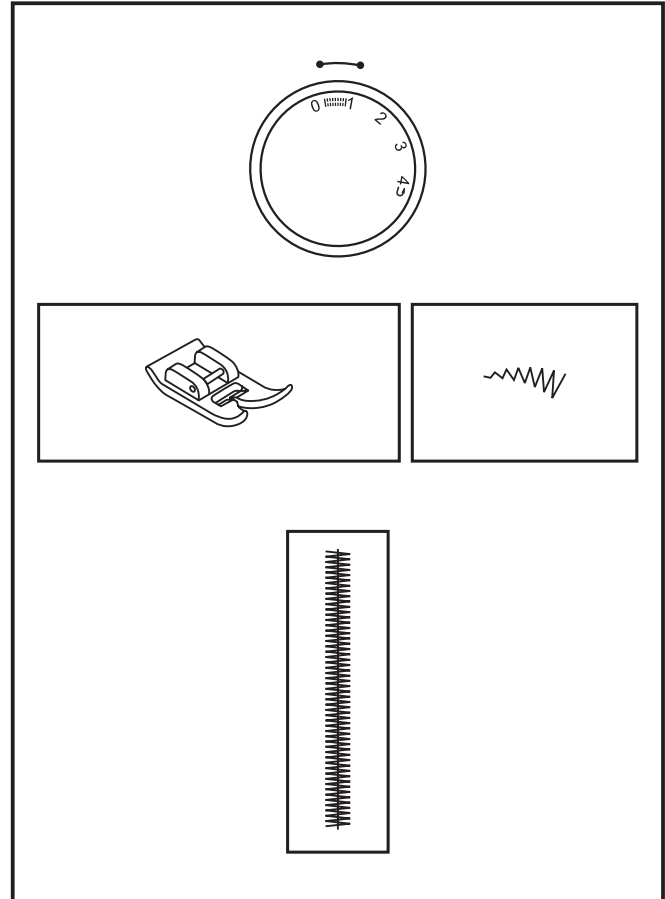
Machine Preparation:

- Pattern: Multi - stitch Zigzag
- Stitch width: Largest 4.5mm
- Stitch length: Fine (0.5 - 1.0)

Sewing Instructions:

Position a piece of fabric directly beneath the tear in your fabric. Align the center of the foot with the center of the tear.

Stitch across, backstitching at the start and at the end of the seam.



□ Stay-stitching

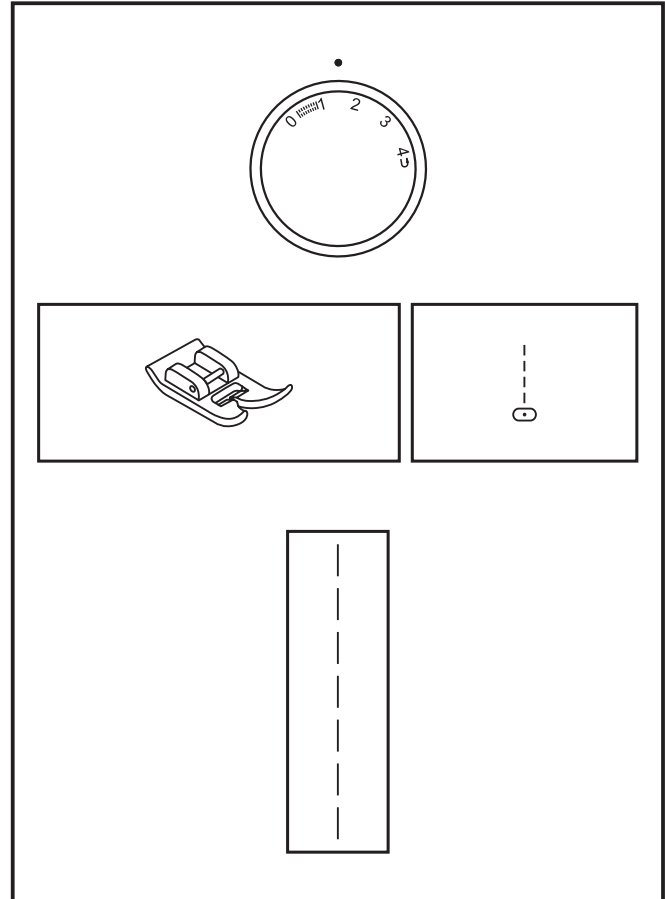
Machine Preparation:

- Pattern: Straight Stitch
- Stitch length: 1.5mm (fine)

Sewing Instructions:

Stay-stitching is used to reinforce curves such as armholes, seams in stretch fabrics, and other areas to prevent stretching.

Stay stitch along the edge of the area 1/4 of an inch from the edge of the seam.



□ Traditional pintucks

Machine Preparation:

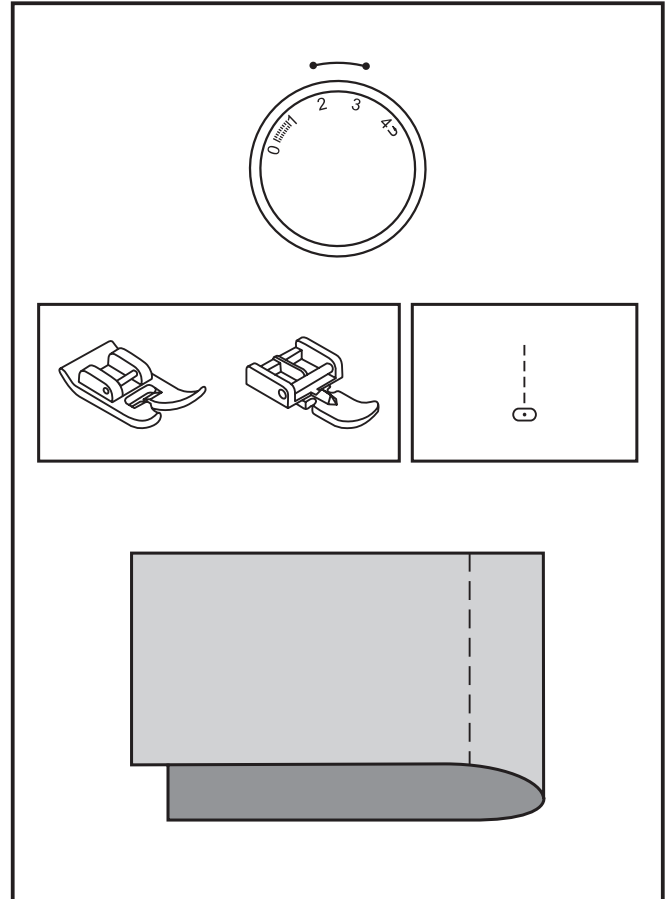
- Pattern: Straight
- Stitch Length: 2 - 3

Sewing Instructions:

To mark pintucks in your fabric, either pull a thread to mark the fold or mark with chalk or marking pencil.

Fold and press wrong sides together on pulled thread line or marked lines. Stitch 1/8 of an inch from fold line.

Repeat, sewing in the same direction for each tuck. Press flat.



□ Gathering

Machine Preparation:

- Pattern: Straight Stitch
- Stitch Length: Longest
- Loosen upper tension slightly.

Sewing Instructons:

Use this technique for gathering waistbands, sleeve caps etc.

At 1/4 of an inch from the edge of the seam, begin by backstitching and then continue to sew the length required.

When seam is complete, raise the needle to it's highest, raise the presser foot and pull the upper and lower threads to the back of the foot.

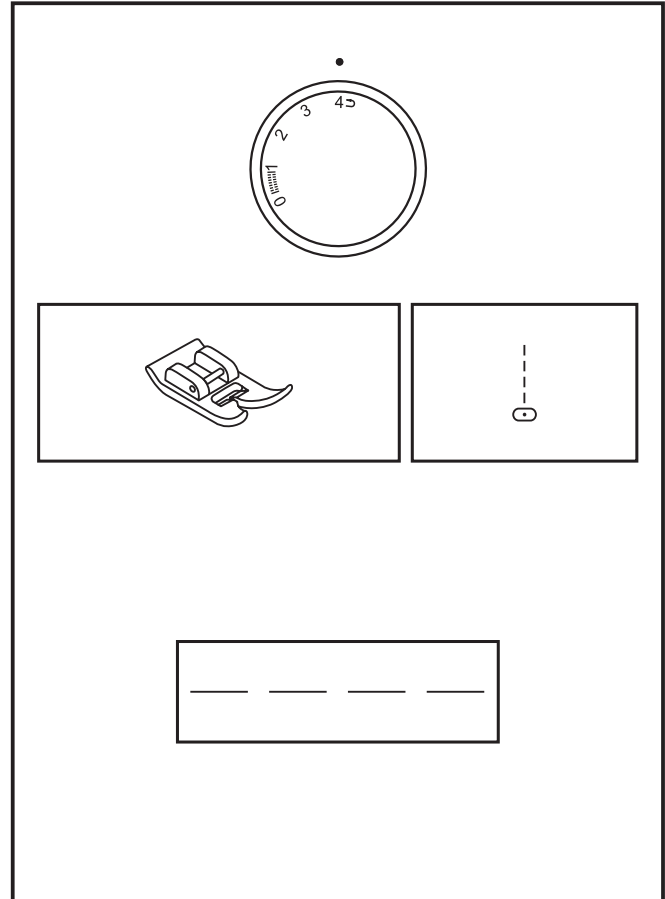
Cut your thread ends leaving a minimum 6 inches of thread.

Repeat this procedure once again at 1/4 of an inch from your first row of stitching.

Once the two rows are completed, draw in your fabric the required amount by pulling on the bobbin thread. Secure thread ends.

Note:

Don't forget to reset your tension for regular sewing.



□ Couching

Machine Preparation:

- Pattern: Zig-zag
- Stitch width: Variable (Set according to width of cord)
- Stitch length: Variable

Sewing Instructions:

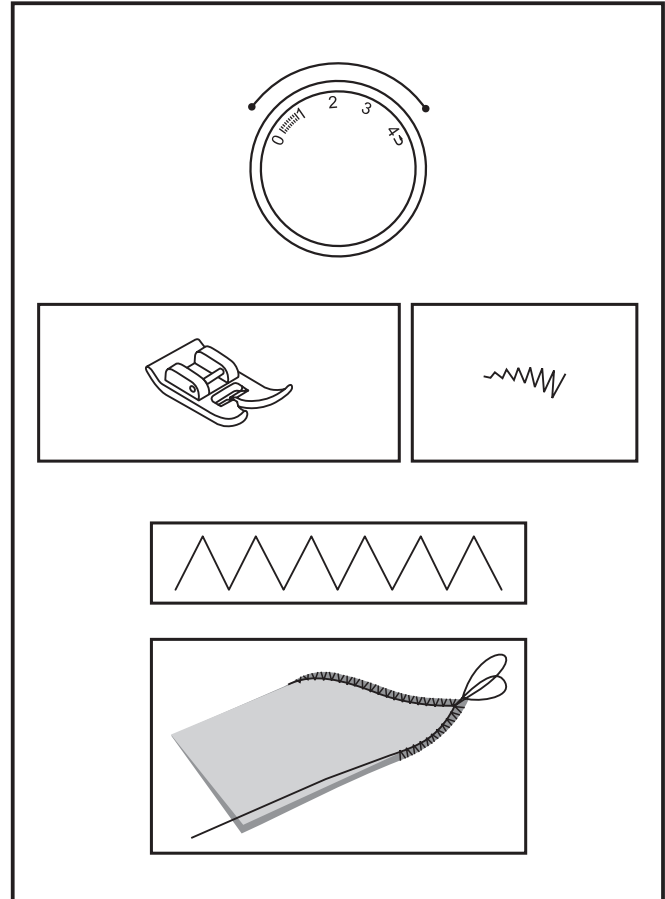
Couching is simply the technique of zig-zagging over a fine cord.

Use as a decorative touch on jackets and other sewing projects.

With a marking pencil, draw a design on your fabric.

Lay the cord under the center opening of your foot and zigzag over the cord so that the needle falls just to the right and left of the decorative cord.

As you sew, follow the lines of your design.



□ Maintenance

Attention:

Disconnect the machine from the electrical supply by removing the plug from the main socket. When cleaning the machine, it must always be disconnected from the electrical supply.

Remove the needle plate:

Turn the handwheel until the needle is fully raised. Open the hinged front cover and unscrew the needle plate screws with the screw driver. (1)

Cleaning the feed dogs:

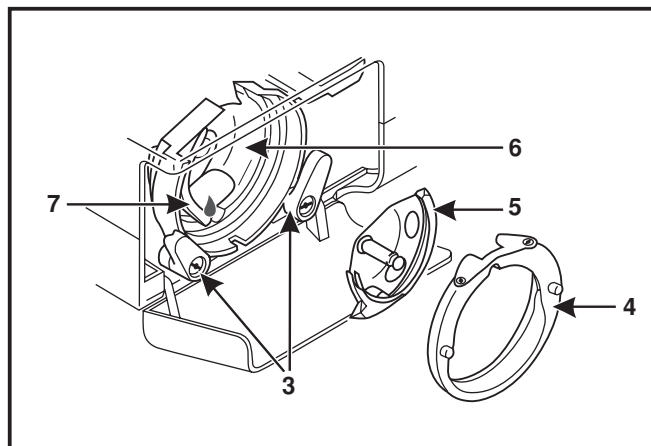
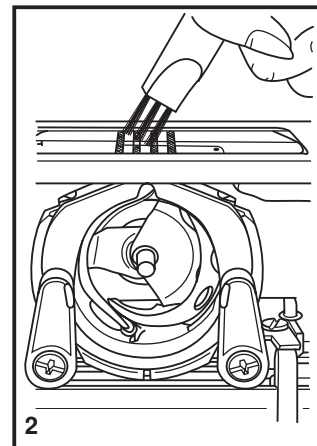
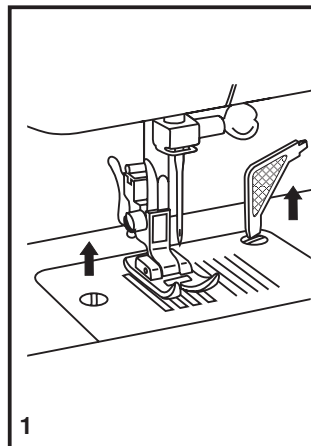
Use the brush supplied to clean the whole area. (2)

Cleaning and lubricating the hook:

Remove the bobbin case. Snap the two hook retaining arms (3) outwards. Remove the hook race cover (4) and the hook (5) and clean with a soft cloth. Lubricate at the point (6) (1-2 drops) with sewing machine oil. Turn the handwheel until the hook race (7) is in the left position. Replace the hook. (5) Replace the hook race cover and snap back the two hook retaining arms. Insert the bobbin case and bobbin and replace the needle plate.

Important:

Fabric lint and threads must be removed regularly. Your machine should be serviced at regular intervals at one of our service centers.



□ Troubleshooting guide

Problem	Cause	Correction
Upper thread breaks	<ol style="list-style-type: none">1. The machine is not threaded correctly.2. The thread tension is too tight.3. The thread is too thick for the needle.4. The needle is not inserted correctly.5. The thread is wound around the spool holder pin.6. The needle is damaged.	<ol style="list-style-type: none">1. Rethread the machine.2. Reduce the thread tension. (lower number)3. Select a larger needle.4. Remove and reinsert the needle. (flat side towards the back)5. Remove the reel and wind thread onto reel.6. Replace the needle.
Lower thread breaks	<ol style="list-style-type: none">1. The bobbin case is not inserted correctly.2. The bobbin case is threaded wrong.3. The lower thread tension is too tight.	<ol style="list-style-type: none">1. Remove and reinsert the bobbin case and pull on the thread. The thread should pull easily.2. Check both bobbin and bobbin case.3. Loosen lower thread tension as described.
Skipped stitches	<ol style="list-style-type: none">1. The needle is not inserted correctly.2. The needle is damaged.3. The wrong size or type of needle has been used.4. The foot is not attached correctly.	<ol style="list-style-type: none">1. Remove and reinsert needle. (flat side towards the back)2. Insert a new needle.3. Choose a needle to suit the thread and fabric.4. Check and attach correctly.
Needle breaks	<ol style="list-style-type: none">1. The needle is damaged.2. The needle is not correctly inserted.3. Wrong needle size for the fabric.4. The wrong foot is attached.	<ol style="list-style-type: none">1. Insert a new needle2. Insert the needle correctly. (flat side towards the back)3. Choose a needle to suit the thread and fabric.4. Select the correct foot.
Loose stitches	<ol style="list-style-type: none">1. The machine is not correctly threaded.2. The bobbin case is not correctly threaded.3. Needle/ fabric/ thread combination is wrong.4. Thread tension wrong.	<ol style="list-style-type: none">1. Check the threading.2. Thread the bobbin case as illustrated.3. The needle size must suit the fabric and thread.4. Correct the thread tension.
Seams gather or pucker	<ol style="list-style-type: none">1. The needle is too thick for the fabric.2. The stitch length is incorrectly adjusted.3. The thread tension is too tight.	<ol style="list-style-type: none">1. Select a finer needle.2. Readjust the stitch length.3. Loosen the thread tension.
Uneven stitches, uneven feed	<ol style="list-style-type: none">1. Poor quality thread.2. The bobbin case is incorrectly threaded.3. Fabric has been pulled.	<ol style="list-style-type: none">1. Select a better quality thread.2. Remove bobbin case, thread and insert correctly.3. Do not pull on the fabric while sewing, let it be taken up by the machine.
The machine is noisy	<ol style="list-style-type: none">1. The machine must be lubricated.2. Lint or oil have collected on the hook or needle bar.3. Poor quality oil has been used.4. The needle is damaged.	<ol style="list-style-type: none">1. Lubricate as described.2. Clean the hook and feed dog as described.3. Only use good quality sewing machine oil.4. Replace the needle.
The machine jams	Thread is caught in the hook.	Remove the upper thread and bobbin case, turn the handwheel backwards and forwards by hand and remove the thread. Lubricate as described.



Please note that on disposal, this product must be safely recycled in accordance with relevant National legislation relating to electrical/electronic products. If in doubt please contact your retailer for guidance.

