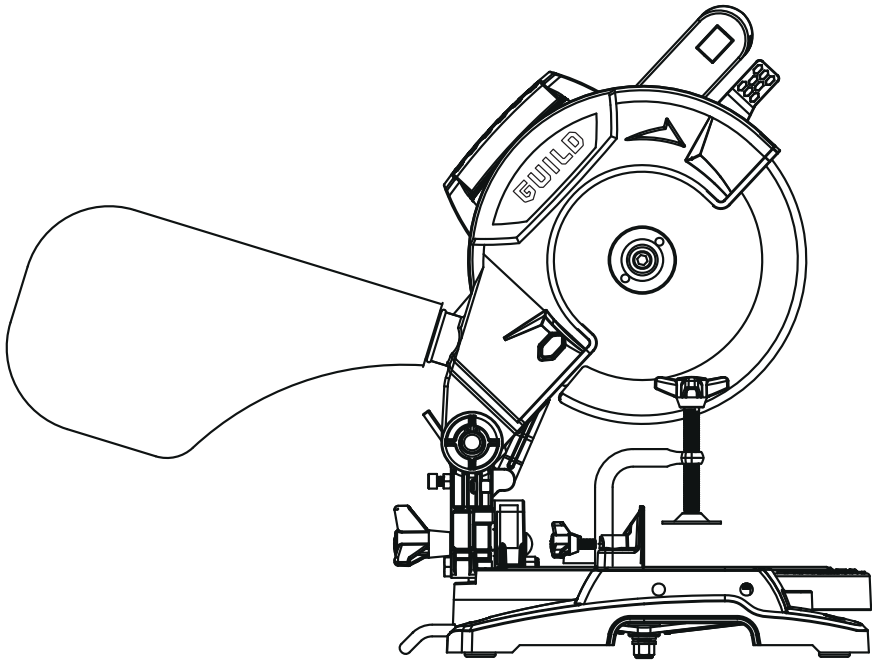


GUILD

1200W Compound Mitre Saw

Instruction Manual

BMS210G



GUILD

After Sales Support

UK/Ireland 0333 3201989
Help@guildpowertools.co.uk

Important - Please read these instructions fully before operating or maintaining your Guild compound mitre saw

These instructions contain important information that will help you get the best from your guild compound mitre saw, ensuring it remains safe to operate.

If you need help or have damaged or missing parts, call the Customer Helpline on 0333 3201989

Contents

Safety Information.....	3
In The Box.....	7
Accessories.....	7
Assembly Instructions.....	8
Operating Instructions.....	10
Maintenance.....	12
Technical Data.....	15
Environmental Protection.....	16
Guarantee.....	17
Declaration of Conformity.....	17
Plug Replacement (Uk & Ireland Only).....	18

Safety Information

Important - Please read these instructions fully before starting assembly

Warning Symbols

The following warning symbols appear throughout this assembly manual and indicate the appropriate safety measures you should take when assembling and operating the compound mitre saw.



To reduce the risk of injury, Please read the instruction manual



Warning



Wear ear protection



Wear eye protection



Wear dust mask



Double insulation



Waste electrical products must not be disposed of with household waste. Please recycle where facilities exist. Check with your local authorities or retailer for recycling advice.

Safety Information

Important - Please read these instructions fully before starting assembly

General Power Tool Safety Warnings



WARNING: When using electric tools basic safety precautions should always be followed to reduce the risk of fire, electric shock and personal injury including the following.

Read all these instructions before attempting to operate this product and save these instructions.

Safe operation

- 1 - Keep work area clear
 - Cluttered areas and benches invite injuries.
- 2 - Consider work area environment
 - Do not expose tools to rain.
 - Do not use tools in damp or wet locations.
 - Keep work area well lit.
 - Do not use tools in the presence of flammable liquids or gases.
- 3 - Guard against electric shock
 - Avoid body contact with earthed or grounded surfaces (e.g. pipes, radiators, ranges, refrigerators).
- 4 - Keep other persons away
 - Do not let persons, especially children, not involved in the work touch the tool or the extension cord and keep them away from the work area.
- 5 - Store idle tools
 - When not in use, tools should be stored in a dry locked-up place, out of reach of children.
- 6 - Do not force the tool
 - It will do the job better and safer at the rate for which it was intended.
- 7 - Use the right tool
 - Do not force small tools to do the job of a heavy duty tool.
 - Do not use tools for purposes not intended; for example do not use circular saws to cut tree limbs or logs.
- 8 - Dress properly
 - Do not wear loose clothing or jewellery, they can be caught in moving parts.
 - Non-skid footwear is recommended when working outdoors.
 - Wear protective hair covering to contain long hair.
- 9 - Use protective equipment
 - Use safety glasses.
 - Use face or dust mask if working operations create dust.
- 10 - Connect dust extraction equipment
 - If the tool is provided for the connection of dust extraction and collecting equipment, ensure these are connected and properly used.
- 11 - Do not abuse the cord
 - Never yank the cord to disconnect it from the socket. Keep the cord away from heat, oil and sharp edges.
- 12 - Secure work
 - Where possible use clamps or a vice to hold the work. It is safer than using your hand.

Safety Information

Important - Please read these instructions fully before starting assembly

General Power Tool Safety Warnings

- 13 - Do not overreach
 - Keep proper footing and balance at all times.
- 14 - Maintain tools with care
 - Keep cutting tools sharp and clean for better and safer performance.
 - Follow instruction for lubricating and changing accessories.
 - Inspect tool cords periodically and if damaged have them repaired by an authorized service facility.
 - Inspect extension cords periodically and replace if damaged.
 - Keep handles dry, clean and free from oil and grease.
- 15 - Disconnect tools
 - When not in use, before servicing and when changing accessories such as blades, bits and cutters, disconnect tools from the power supply.
- 16 - Remove adjusting keys and wrenches
 - Form the habit of checking to see that keys and adjusting wrenches are removed from the tool before turning it on.
- 17 - Avoid unintentional starting
 - Ensure switch is in "off" position when plugging in.
- 18 - Use outdoor extension leads
 - When the tool is used outdoors, use only extension cords intended for outdoor use and so marked.
- 19 - Stay alert
 - Watch what you are doing, use common sense and do not operate the tool when you are tired.
- 20 - Check damaged parts
 - Before further use of tool, it should be carefully checked to determine that it will operate properly and perform its intended function.
 - Check for alignment of moving parts, binding of moving parts, breakage of parts, mounting and any other conditions that may affect its operation.
 - A guard or other part that is damaged should be properly repaired or replaced by an authorized service centre unless otherwise indicated in this instruction manual.
 - Have defective switches replaced by an authorized service centre.
 - Do not use the tool if the switch does not turn it on and off.
- 21 - Warning
 - The use of any accessory or attachment other than one recommended in this instruction manual may present a risk of personal injury.
- 22 - Have your tool repaired by a qualified person
 - This electric tool complies with the relevant safety rules. Repairs should only be carried out by qualified persons using original spare parts, otherwise this may result in considerable danger to the user.
- 23 - If the replacement of the supply cord is necessary, this has to be done by the manufacturer or his agent in order to avoid a safety hazard.
- 24 - For tools intended to be connected to a water supply:
 - Replacement of the plug or the supply cord shall always be carried out by the manufacturer of the tool or his service organisation,
 - Keep water clear off the electrical parts of the tool and away from persons in the working area.

Safety Information

Important - Please read these instructions fully before starting assembly

Mitre Saw Safety Instruction

Safety precautions

- Do not use saw blades which are damaged or deformed;
- Replace the table insert when worn;
- Use only saw blades recommended by the manufacturer which conform to en 847-1;
- Do not use saw blades manufactured from high speed steel;
- Wear suitable personal protective equipment when necessary, this could include:
 - Hearing protection to reduce the risk of induced hearing loss;
 - Eye protection when using the tool.
 - Respiratory protection to reduce the risk of inhalation of harmful dust.
- Gloves for handling saw blades (saw blades shall be carried in a holder wherever practicable) and rough material;
- Connect the saw to a dust collecting device when sawing wood. In addition the operator shall be informed of factors that influence exposure of dust and the precautions mentioned e.G. Type of material to be machined and the importance of local extraction (capture or source) and proper adjustment of hoods/baffles/chutes;

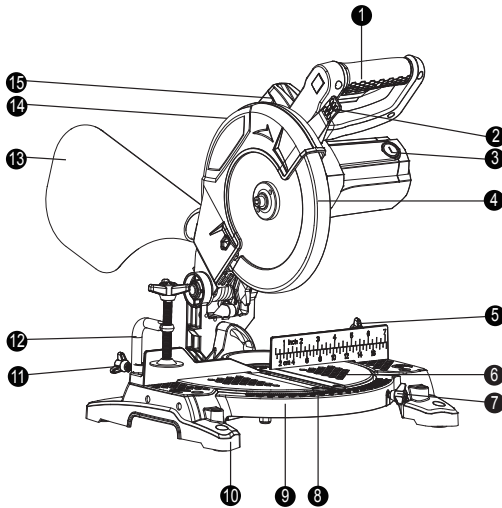
Safe operation

- Select the correct saw blade for the material to be cut;
- Do not use the saw to cut other materials than those recommended by the manufacturer;
- Lifting and transportation information: information shall include where to lift and support the mitre saw and when necessary a warning not to use guards for this purpose;
- Do not use the saw without the guards in position, in good working order and properly maintained;
- Ensure that the arm is securely fixed when bevelling;
- Keep the floor area around the machine level, well maintained and free of loose materials e.G. Chips and cut-offs;
- Provide adequate general or localised lighting;
- The operator is adequately trained in the use, adjustment and operation of the machine;
- Use correctly sharpened saw blades. Observe the maximum speed marked on the saw blade;
- Ensure that any spacers and spindle rings used are suitable for the purpose as stated by the manufacturer;
- When fitted with laser, no exchange with different type of laser is permitted. Repairs shall only be carried out by the laser manufacturer or an authorised agent;
- Blade replacement procedure including the method for repositioning and a warning that this must be carried out correctly;
- Refrain from removing any cut-offs or other parts of the workpiece from the cutting area whilst the machine is running and the saw head is not in the rest position;
- Always to clamp work pieces to the saw table
- To ensure before each cut that the machine is stable,
 - If needed, to fix the machine to a work bench or the like,
 - If needed, to support long work pieces with appropriate additional supports;
- Replace table insert when worn.

In The Box

Parts

- 1 Handle
- 2 Safety release lever
- 3 Carbon brush cap
- 4 Retractable safety guard
- 5 Fence
- 6 Rotary table
- 7 Rotary table locking knob
- 8 Rotary table slot
- 9 Rotary table mitre angle scale
- 10 Mounting hole
- 11 Work clamp securing knob
- 12 Work clamp
- 13 Dust bag
- 14 Upper blade guard
- 15 Transportation handle
- 16 Dust extraction port (See Fig. A)
- 17 Support stand (See Fig. B1)
- 18 Trigger switch (See Fig. F)
- 19 Bevel lock lever (See Fig. G1)
- 20 Bevel scale (See Fig. K2)
- 21 Spindle lock (See Fig. L3)




Accessories

Work clamp
Dust bag
Wrench

1pc
1pc
1pc


Assembly Instructions

 **NOTE:** Before using the tool, read the instruction book carefully.

Intended Use

This tool is intended as a stationary machine for making straight lengthways and crossways cuts in wood. Horizontal mitre angles of -45° to $+45^{\circ}$ as well as vertical bevel angles of 0° to $+45^{\circ}$ are possible.

ASSEMBLY

 **WARNING:** To prevent accidental starting that could cause possible serious personal injury, ALWAYS assemble all parts to your saw BEFORE connecting it to the power supply. The saw should NEVER be connected to a power supply when you are assembling parts, making adjustments, installing or removing blades, or when not in use.

1. DUST EXTRACTION PORT (SEE FIG A)

To reduce build up of saw dust and maintain cutting efficiency, the saw dust collection can be achieved by clipping a dust bag on the dust extraction port (16).


A dust bag is provided for use on your mitre saw. To install it, simply fit the dust bag over the extraction port on the upper blade guard.

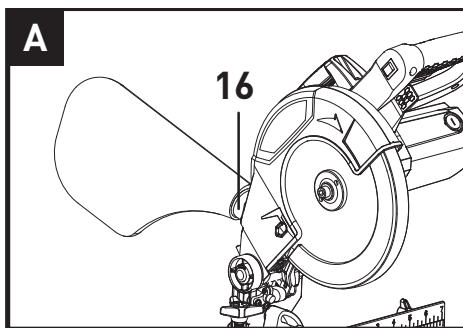
To empty the dust bag, remove it from the dust exhaust port, open the dust bag by unzipping the slide fastener.

NOTE: To ensure optimal dust collecting, empty the dust bag when it becomes filled to approximately 2/3 of its capacity.

2. THE SUPPORT STAND (SEE FIG B1, B2)

Pull the support stand to its extreme, as shown in Fig B1, B2.

 **WARNING:** Always keep the support stand at its extreme out position when using the product.



Assembly Instructions

3. WORK CLAMP (SEE FIG C)

- 1) The work clamp can be fitted on either side of the saw and is fully adjustable to suit the size of the workpiece.
- 2) Do not operate the saw without clamping the workpiece.
- 3) Make sure that the work clamp securing screws are tightened.

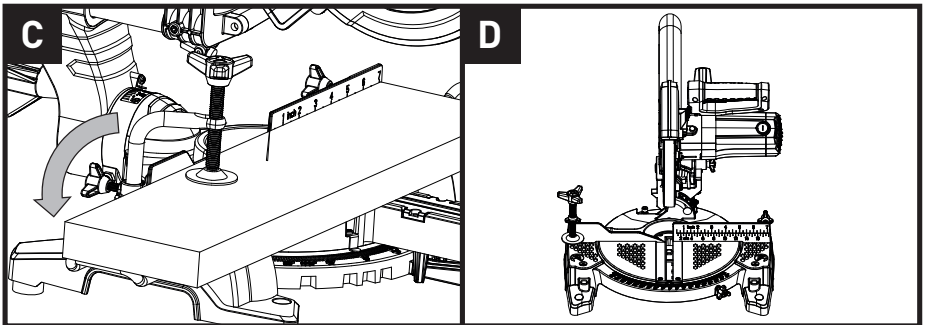
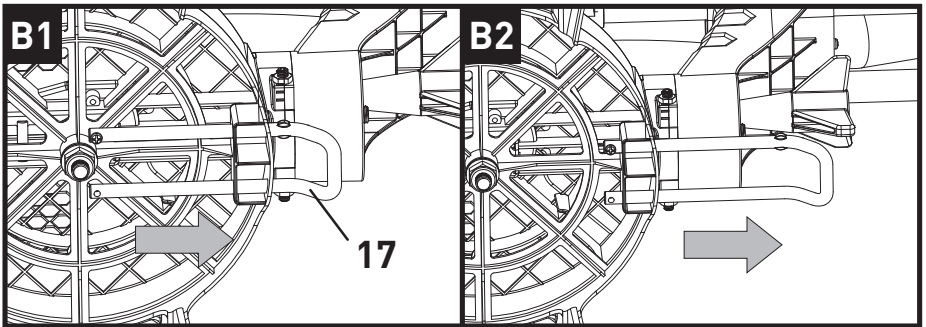
4. MOUNTING HOLES (SEE FIG D)

Before use, the saw can be fixed to a firm, level surface with the 4 mounting bolts (not supplied).

Four holes are provided in the base of the saw to enable it to be fixed to a bench, or other supporting surface.

To mount the saw, proceed as follows:

- 1) Locate and mark where the saw is to be mounted.
- 2) Drill 4 holes through the surface.
- 3) Place the sliding mitre saw on the surface aligning holes in base with holes drilled in the surface. Install bolts, washers and hex nuts.



Operating Instructions

1. RELEASING THE SAW HEAD (SEE FIG E1, E2)

When boxed or during storage, transportation, the saw head is locked in the down position. To release the head ready for operation, apply downward pressure and pull out the lock pin (a) The head will be raised gently to upper position.

2. STARTING THE SAW (SEE FIG F)

Press the trigger switch (18). Allow the motor to reach full speed. When the blade has reached maximum speed, unlock the blade guard by operating the safety release lever (2) using your thumb.

3. CHOP CUT (SEE FIG G1, G2)

Chop cut is used mainly for narrow pieces, i.e. the lock screw of slide rod is tightened and the head assembly is lowered to cut through the workpiece.

1) Connect the machine to power outlet, ensure that the mains cable is clear of the blade and base plate.

2) Position the material to be cut on the rotary table, ensure it is firmly clamped so that it will not move during cutting.

3) Ensure that the rotary table locking knob (7) and bevel lock lever (19) is tightened before cutting.

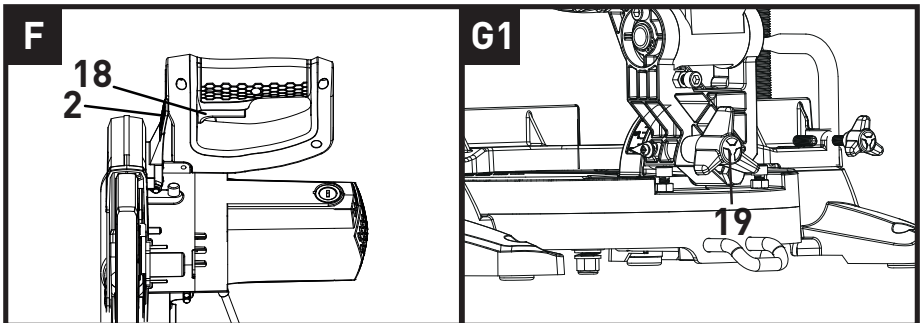
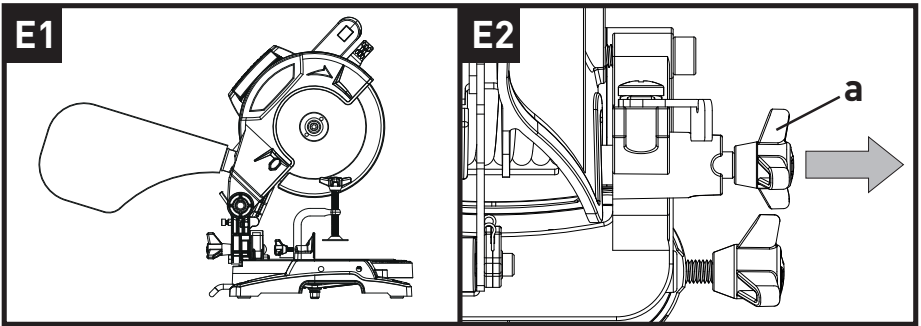
4) Press the trigger switch and allow the saw blade to run up the speed.

5) Still holding in the trigger, using your thumb simply press the safety release lever. It will then be possible to push the saw head down by the handle.

6) Continue to move the saw head down smoothly and make the cut exerting only gentle pressure on the downward stroke, letting the saw do the work.

4. CROSS PULL CUT (SEE FIG H1, H2)

A mitre cut is made at 0° bevel and any mitre angle in the range from 45° left to 45° right. It can



Operating Instructions

be made as a chop cut.

For most convenient operation, your sliding mitre saw is equipped with mitre detents for fast and accurate mitre cuts of common mitre angles (Left: 45°, 30°, 22.5°, 15°, 0°; Right: 0°, 15°, 22.5°, 30°, 45°).

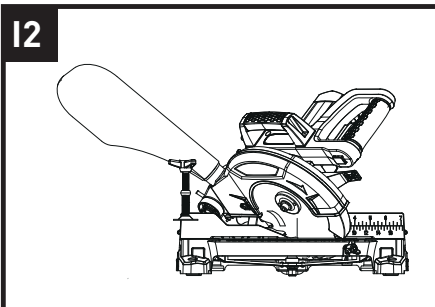
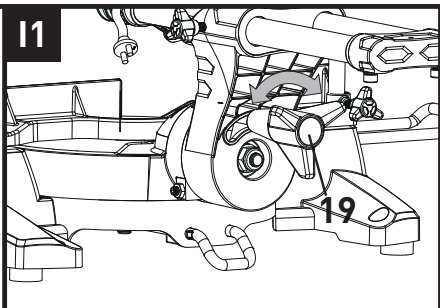
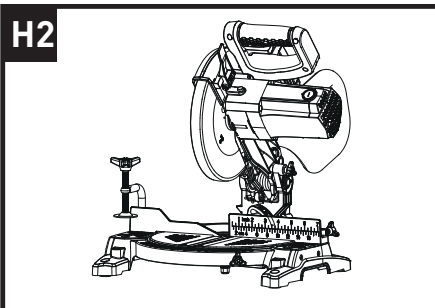
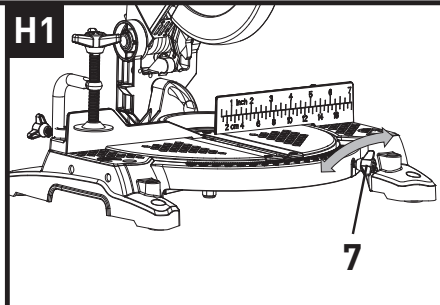
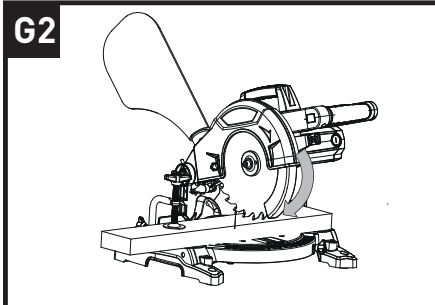
The rotary table locking knob (8) is used to lock the table at the desired mitre angle. To adjust the mitre angle, put the saw on a stable surface and fix it, loosen the rotary table locking knob (7) counter-clockwise, hold the handle (1) firmly to rotate the saw head to the desired position, then tighten the rotary table locking knob (7) clockwise.

5. MITRE CUT (SEE FIG 11, 12)

A bevel cut is made at 0° mitre and any bevel angle in the range of 0° to 45° left.

The saw can be moved from the normal 0° perpendicular position to an angled position down to 45° from the horizontal, on the left only.

Loosen the bevel lock lever (19) and tilt the saw head to the left, until the desired angle is reached on the bevel scale. Re-tighten the bevel lock lever and make your cut.



Maintenance



WARNING: Remove the plug from the socket before carrying out any adjustment, servicing or maintenance.

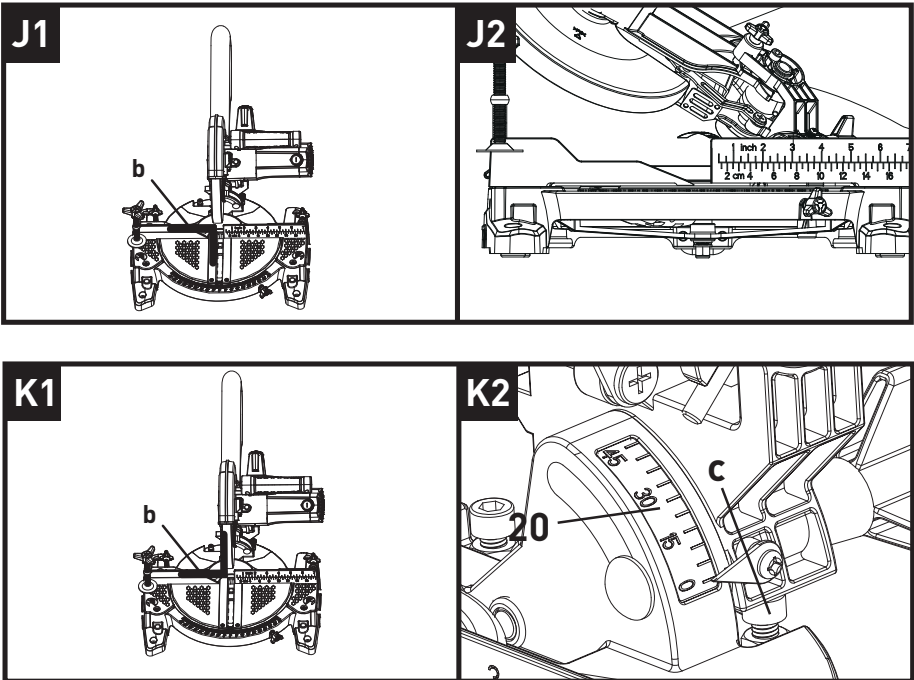
When all the adjustments, settings or maintenance have been done, make sure that all keys and wrenches have been removed and that all screws, bolts and other fittings are securely tightened. There are no user serviceable parts in your power tool. Never use water or chemical cleaners to clean your power tool. Wipe clean with a dry cloth. Always store your power tool in a dry place. Keep the motor ventilation slots clean. Keep all working controls free of dust. Occasionally you may see sparks through the ventilation slots. This is normal and will not damage your power tool.

If the supply cord of this power tool is damaged, it must be replaced by a specially prepared cord available through the service

1. PRECISION SETTING OF ANGLES (SEE FIG J1, J2, K1, K2)

While the machine has been factory set, it is advisable that the 0° setting of the rotary table and the 90° perpendicular setting of the tilt be checked, as these positions may have moved in transit. (Ensure power is disconnected while making these adjustments).

To confirm the 0° rotary table setting, set the rotary table at 0° and tighten the rotary table locking knob. Check that the angle between the straight guide and the blade is 90° using a try square (b, not supplied) as shown in Fig. K1. If the angle requires adjustment, loosen the locking screws for straight guide, and align the fence against the try square. Re-tighten the locking screws for straight guide. [SEE FIG J1, J2]



Maintenance

Similarly, check that the angle of the blade to the face of the rotary table is 90°. If necessary, adjust the tilt angle of the saw head at the 90° position: loosen the bevel lock (19) and adjust the 0° bevel adjustment screw (c) to bring the saw blade into alignment with the square. Loosen the head screw (c) holding the pointer of the bevel scale (20) and adjust the position of the pointer so that it accurately indicates zero on the scale. Retighten the screw. Retighten the bevel lock (20) and the 0° bevel adjustment screw. (SEE FIG K1, K2)

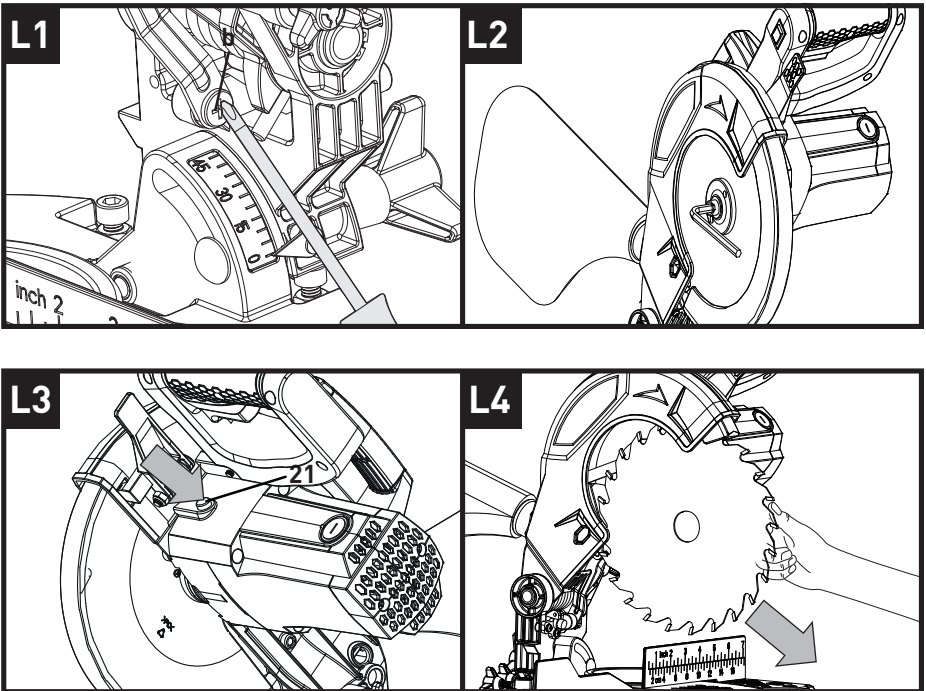
2. CHANGING THE SAW BLADE (SEE FIG L1-L5)

Disconnect the saw from the power supply.

Remove the screw with a screwdriver.

Press the blade spindle lock (21) and rotate the blade until it is locked, then loosen and remove the blade securing bolt, the outer flange with the socket wrench in clockwise direction.

NOTE: Blade securing bolt has a left hand thread.



Maintenance

Remove the blade, (**we recommend the use of a stout glove for this**). Clean any saw dust and debris from the arbor and saw blade securing flanges.

To refit the blade, follow the above procedure in reverse order.

CAUTION: ALWAYS install the blade with the blade teeth and the arrow printed on the side of the blade pointing down at the front of the saw. The direction of blade rotation is also stamped with an arrow on the upper blade guard.

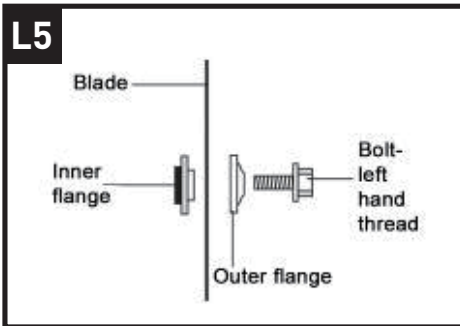
3. REPLACING THE CARBON BRUSHES

Check the carbon brushes regularly. If the carbon brushes are worn down to about 4mm, replace them with the new set (not supplied). It must be replaced in pairs.

With a suitable slotted screwdriver turn the cap anti-clockwise until the carbon brush is released, replace the brush and make sure that they locate well and are secured within the brush retainer.

4. MOVING THE SAW

- 1) When transporting the saw with fixed locations, make sure that the saw head is locked in the lower position.
- 2) The rotary table locking knob, the bevel lock lever and the slide rod securing knob, must all be securely tightened.
- 3) Use the transportation handle to lift the saw. Do not lift the saw by the switch handle.



Technical Data

Technical Data Table

Rated voltage	230-240V~50Hz
Rated Input power	1200W
No load speed	4500 /min
Bevel capacity	0-45°
Mitre capacity	0-45° L&R
Blade size	210 mm
Protection class	□/II
Machine weight	6.26 kg

Cutting Capacity


Max cutting mitre/bevel 0°/90°	120*55mm
Max cutting mitre/bevel 45°/90°	120*32mm
Max cutting mitre/bevel 0°/45°	80*55mm

Noise Information

A weighted sound pressure

A weighted sound power

Wear ear protection when sound pressure is over:

L_{pA} : 91dB(A)
 L_{wA} : 104dB(A)
 K_{pA} & K_{wA} = 3.0dB(A) 

Environmental Protection



Waste electrical products must not be disposed of with household waste. Please recycle where facilities exist. Check with your local authorities or retailer for recycling advice.

Guarantee

This product is selected for DOMESTIC USE ONLY and not for business use. This product is guaranteed against manufacturing defects for a period of 24 months. This does not cover the product where the fault is due to misuse, abuse, use in contravention of the instructions, or where the product has been the subject of unauthorised modifications or alterations, or has been the subject of commercial use. In the event of a problem with the product within the guarantee period please return it to your nearest store. If the item is shown to have an inherent defect present at the time of sale, the store will provide you with a replacement. Your statutory rights remain unaffected.

Issue1 08/2015

Declaration of Conformity

This Guild 1200W Compound Mitre Saw model number BMS210G fully complies with the Machinery Directive 2006/42/EC, Electromagnetic Compatibility Directive 2004/108/EC(before 2016/04/20) and 2014/30/EC(since 2016/04/20), RoHS Directive 2011/65/EU and the following harmonized EU standards

EN 61029-1: 2009/A11:2010

EN 61029-2-9:2012/A11:2013

EN 55014-1: 2006 + A1:2009 + A2:2011

EN 55014-2: 1997 + A1:2001 + A2:2008

EN 61000-3-2: 2014

EN 61000-3-3: 2013

This declaration is made under the sole responsibility of Argos Ltd, 489/499 Avebury Boulevard, Milton Keynes, MK9 2NW

Category Technical Manager

Issued 20/10/2015

signed *Luke Wong*

Plug Replacement (Uk & Ireland Only)

If you need to replace the fitted plug then follow the instructions below.

IMPORTANT

The wires in the mains lead are colored in accordance with the following code:

Blue – Neutral

Brown – Live

As the colors of the wires in the mains lead of this appliance may not correspond with the coloured markings identifying the terminals in your plug, proceed as follows. The wire which is coloured blue must be connected to the terminal which is marked with N. The wire which is coloured brown must be connected to the terminal which is marked with L.



WARNING:

Never connect live or neutral wires to the earth terminal of the plug. Only fit an approved BS1363/A plug and the correct rated fuse.

Note: If a moulded plug is fitted and has to be removed take great care in disposing of the plug and severed cable, it must be destroyed to prevent engaging into a socket.

