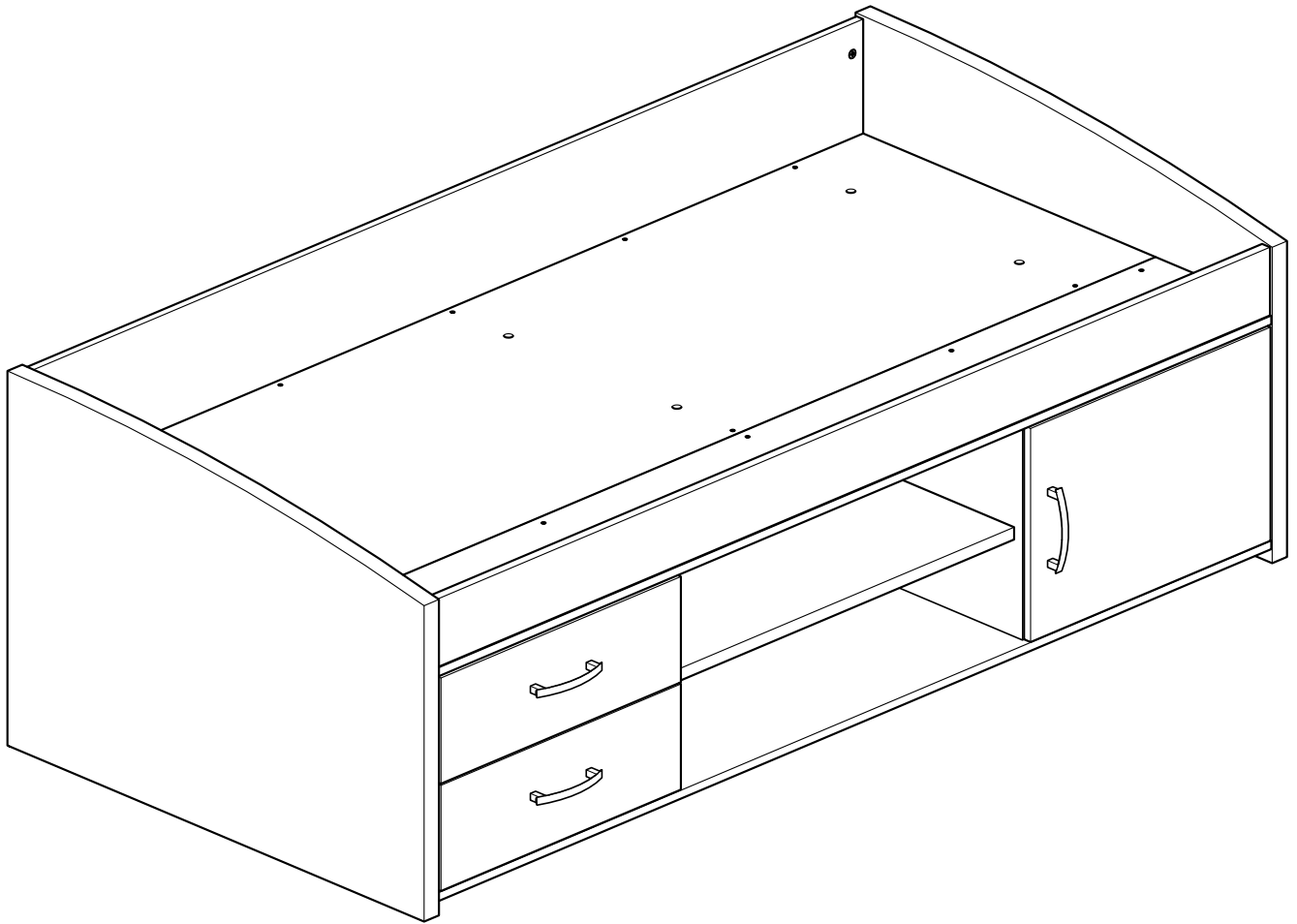


Yanniek Bed 90x190

Assembly Instructions - Please keep for future reference

483/4124

459/7344



Dimensions

Width - 197.8 cm

Depth - 91.0 cm

Height - 67.0 cm

483/4124 OAK

459/7344 WHITE

Tip : To prevent damage, we recommend that you build your unit on the carton(s) it was packed in.

Important – Please read these instructions fully before starting assembly


If you need help or have damaged or missing parts, call the **Customer Helpline:**

Argos = 03456 400 800



Safety and Care Advice

Important – Please read these instructions fully before starting assembly

- Check you have all the components and tools listed on the following pages.
 - Remove all fittings from the plastic bags and separate them into their groups.
 - Keep children and animals away from the work area, small parts could choke if swallowed.
 - Make sure you have enough space to layout the parts before starting.
 - During assembly do not stand or put weight on the product, this could cause damage.
 - Assemble the item as close to its final position (in the same room) as possible.
 - Assemble on a soft level surface to avoid damaging the unit or your floor.
 - Parts of the assembly will be easier with 2 people.
- 
- To reduce the likelihood of damaging your product please ensure that your power drill is set on a low torque setting.
 - Assembly should be carried out by a competent adult only.
 - do not use this item if any components are missing or damaged.
 - this item is suitable for children from the age of 6.

Glue safety - Take care when using glue, please follow the advice below•

Skin contact: Remove contamination by washing with soap and water. This procedure should also be followed prior to eating and drinking.

Eye contact: Rinse immediately with clean water for 15 minutes and seek medical advice.

If swallowed: Seek medical advice immediately.

Care and maintenance

• Only clean using a damp cloth and mild detergent, do not use bleach or abrasive cleaners.

• From time to time check that there are no loose screws on this unit.

• This product should not be discarded with household waste. Take to your local authority waste disposal centre.

Handy Hints

• Assemble all parts and bolts loosely during assembly, only once the product is complete should you fully tighten the bolts

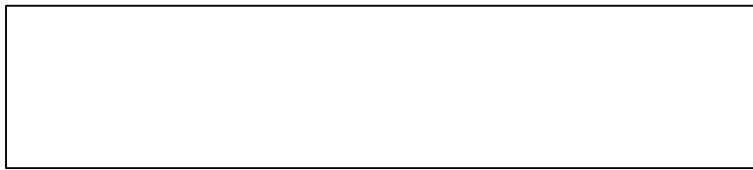
• Regularly check and ensure that all bolts and fittings are tightend properly.

Note: if required the next page can be cut out and used as reference throughout the assembly. Keep this page with these instructions for future reference.

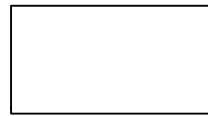
Components - Panels

If you have damaged or missing components, call the **Customer Helpline: 03456 400 800**

Please check you have all the panels listed below



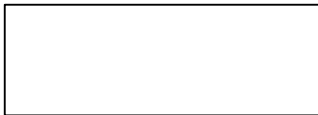
1 Back
(1908 x 411 x 3 mm)
BO2686



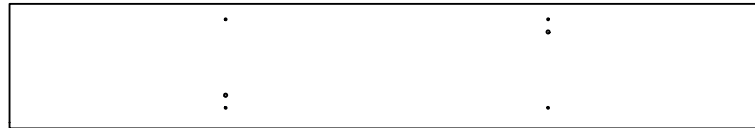
2 Drawer base x 2
(516 x 280 x 3 mm)
BO3101



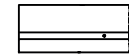
3 Drawer back x 2
(506 x 120 x 12 mm)
LA1654



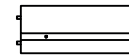
6 Shelf
(801 x 280 x 22 mm)
P1018



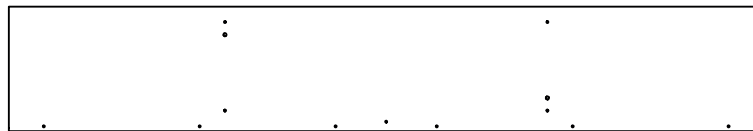
7 Storage bottom
(1910 x 315 x 15 mm)
P1019



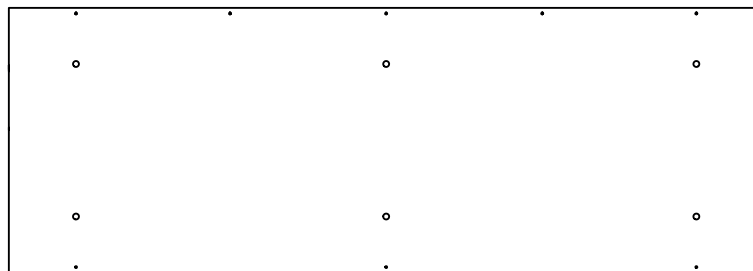
4 Left drawer side x 2
(280 x 120 x 12 mm)
LA1655



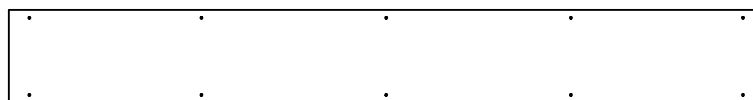
5 Right drawer side x 2
(280 x 120 x 12 mm)
LA1656



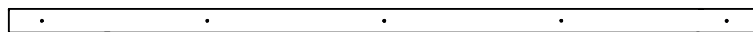
8 Storage top
(1910 x 315 x 15 mm)
P1020



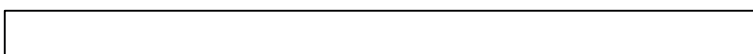
9 Bedbase
(1910 x 670 x 18 mm)
P1021



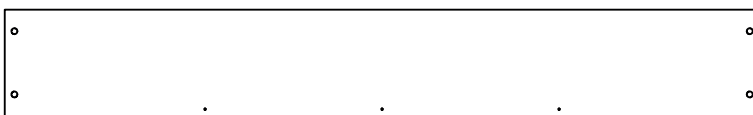
10 Small bedbase
(1910 x 235 x 18 mm)
P1022



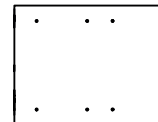
11 Plinth
(1900 x 60 x 28 mm)
P1876



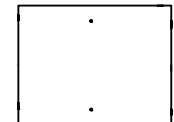
15 Front panel
(1910 x 122 x 18 mm)
P4751



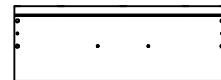
16 Rear panel
(1910 x 282 x 15 mm)
P4752



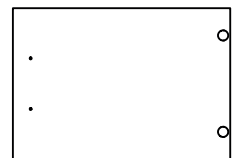
12 Storage side left
(387 x 299 x 15 mm)
P2695



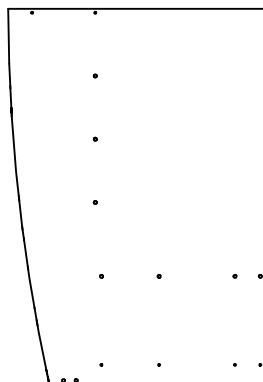
13 Storage side right
(387 x 299 x 15 mm)
P2696



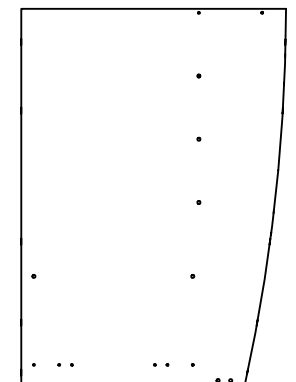
17 Drawer front x 2
(550 x 189 x 15 mm)
P4753



14 Door front
(550 x 382 x 15 mm)
P3716



18 Headboard
(955 x 670 x 34 mm)
P8996



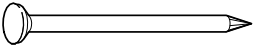
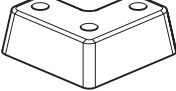





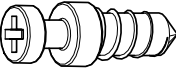
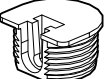
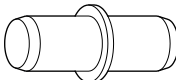
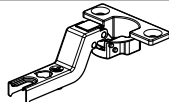
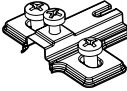
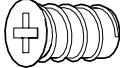

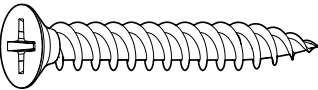
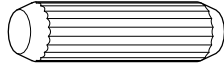

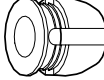
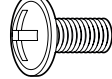

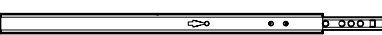

19 Footboard
(955 x 670 x 34 mm)
P8997



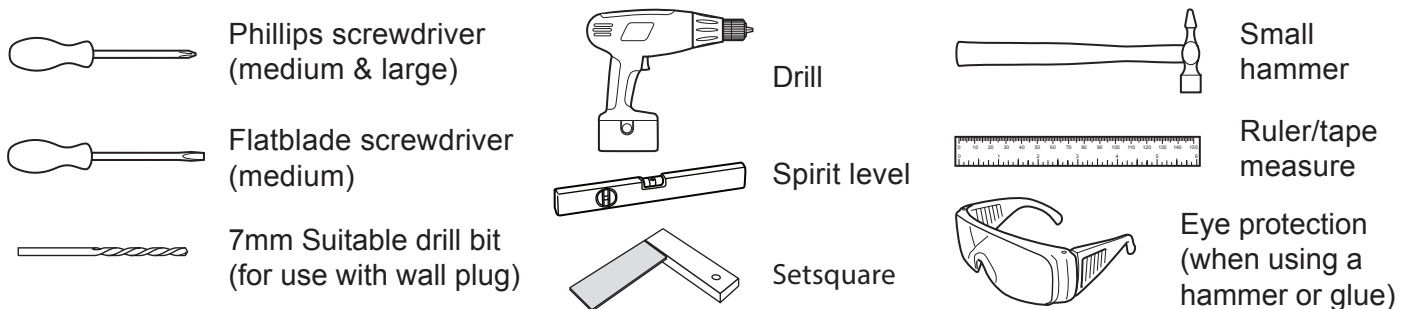
Components - Fittings

Please check you have all the fittings listed below

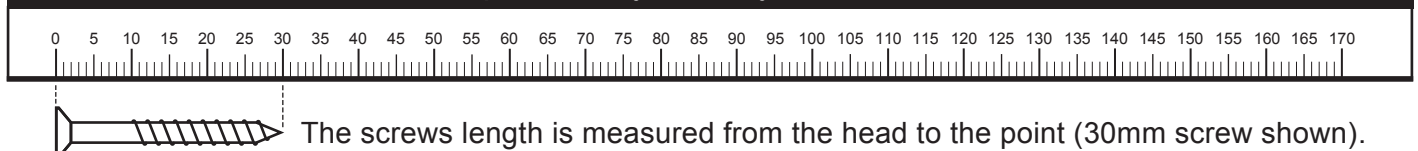
Note: The quantities below are the correct amount to complete the assembly. In some cases more fittings may be supplied than are required.

A  Nail x 30 FA1515	B  Foot x 4 FA1706	C  Confirmat screw x 23 (5x40mm) FK1005
D  Locking nut x 4 (12x10mm) FK1010	E  Locking screw x 16 (5x24mm) FK1011	F  Large locking nut x 12 (15x12mm) FK1012
G  Allen key x 1 (3mm) FK1013	H  Small locking screw x 6 (5x11mm) FK10561	I  Connector x 6 (20x12mm) FK1016
J  Shelf support x 1 (5x15mm) FK1201	K  Hinge door x 2 FK1240	L  Hinge back x 2 FK12641
M  Drawer fixing screws x 8 (6.3x10mm) FK1301	N  Pozi screw x 4 (4x12.5mm) FK1309	O  Chipboard screw x 36 (4x30mm) FK1322
P  Wooden dowel x 8 (8x30mm) FK1411	Q  Nail holder x 1 FK1415	R  Plug x 12 FK1800
S  Screw x 4 (M4x9mm) FK1981	T  Shelf/door handle x 3 (128mm) GR1957	U  Runner x 4 PM16951
W  Glue x 1 FA1510		

Tools required



Ruler - Use this ruler to help correctly identify the screws



Assembly Instructions

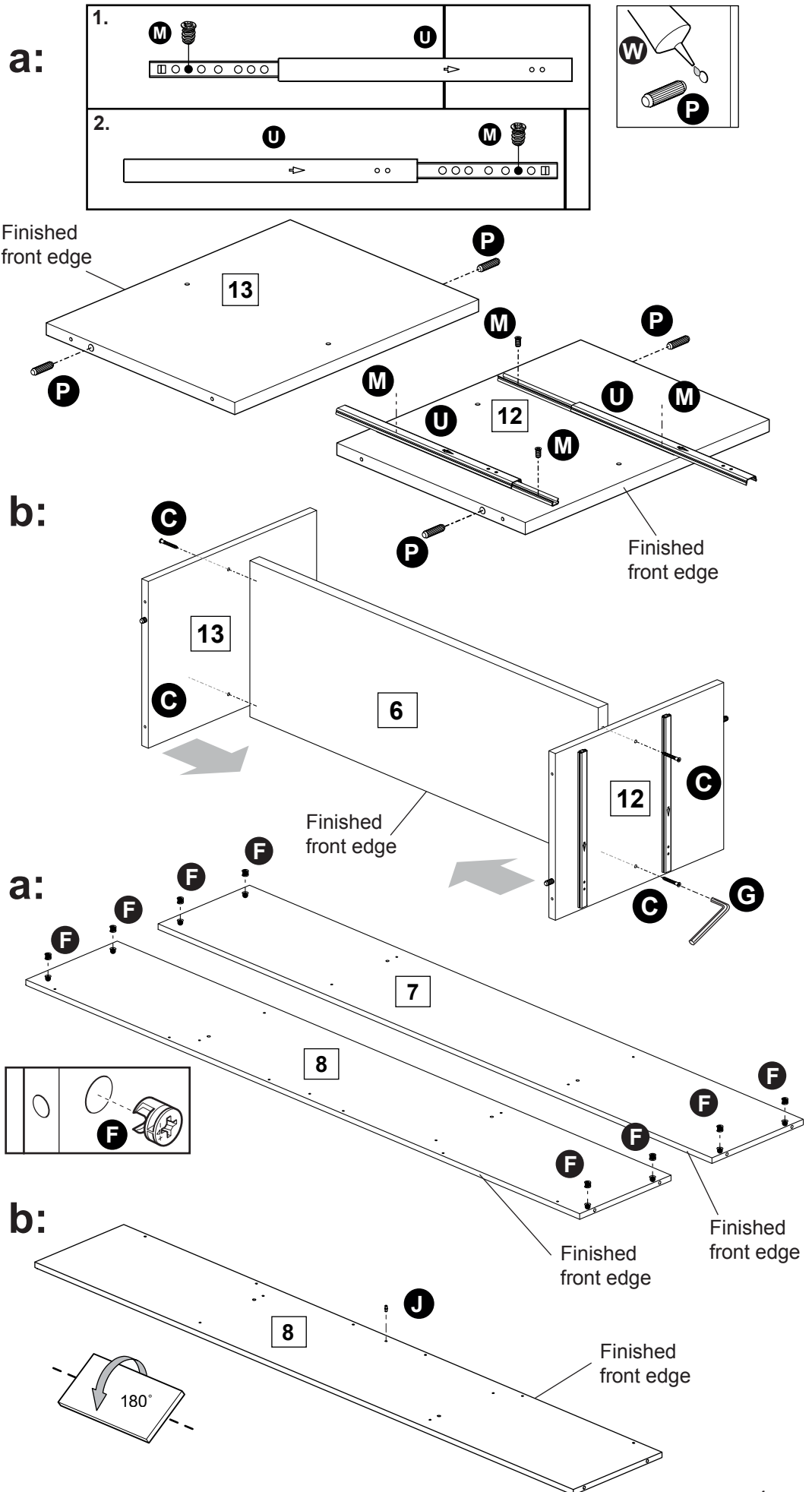
Step 1

Preparing storage sides

a: Insert 4 wooden dowels **P** with a small amount of glue **W** into the holes of left **12** and right storage sides **13**.

Fix runners **U** on left storage side **12** as shown using 4 drawer fixing screws **M**. Make sure the arrow on the runner is pointing to the finished front edge.

b: Attach left **12** and right storage sides **13** with 4 confirmat screws **C** to the shelf **6** using allen key **G**.



Step 2

Assembling storage unit

a: Insert 8 large locking nuts **F** into storage bottom **7** and top **8** where shown. Make sure the 'arrow' on the large locking nuts **F** are pointing towards the holes in the edges of **7** and **8**.

b: Turn over the storage top **8** and insert shelf support **J**.

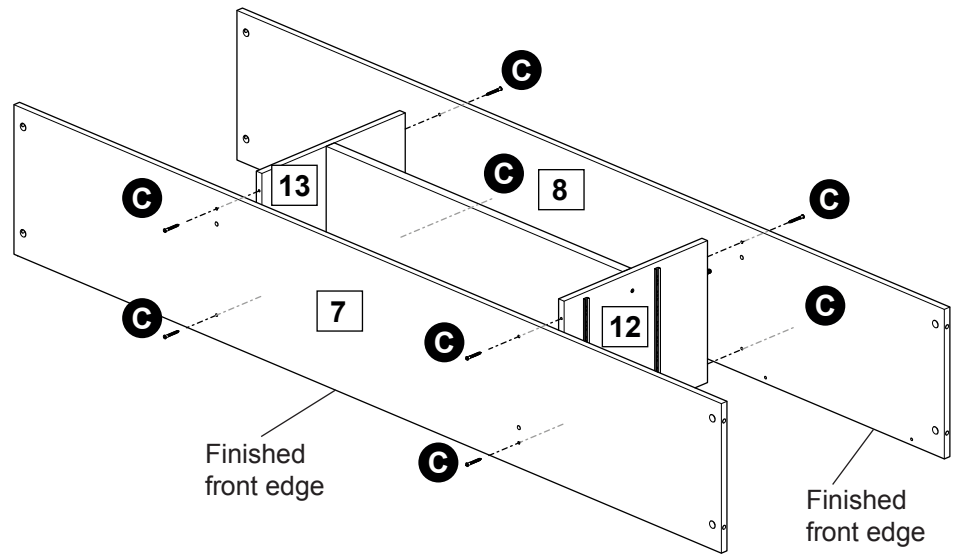
Continued on next page.

Assembly Instructions

Step 2 continued

c: Attach storage bottom **7** and top **8** with 8 confirmat screws **C** to the storage sides **12** and **13** using allen key **G**.

C:

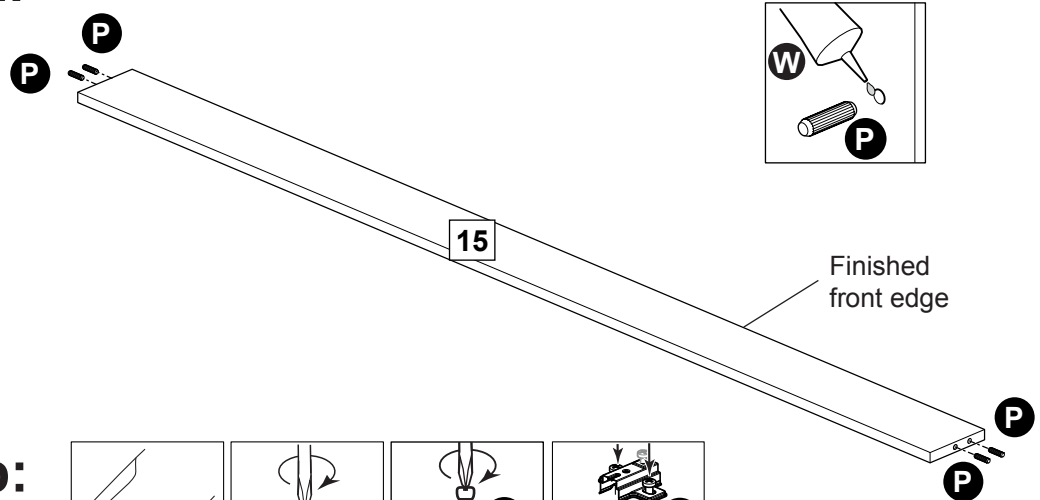


Step 3

Inserting fittings

a: Insert 4 wooden dowels **P** with a small amount of glue **W** in the holes of front panel **15**.

a:

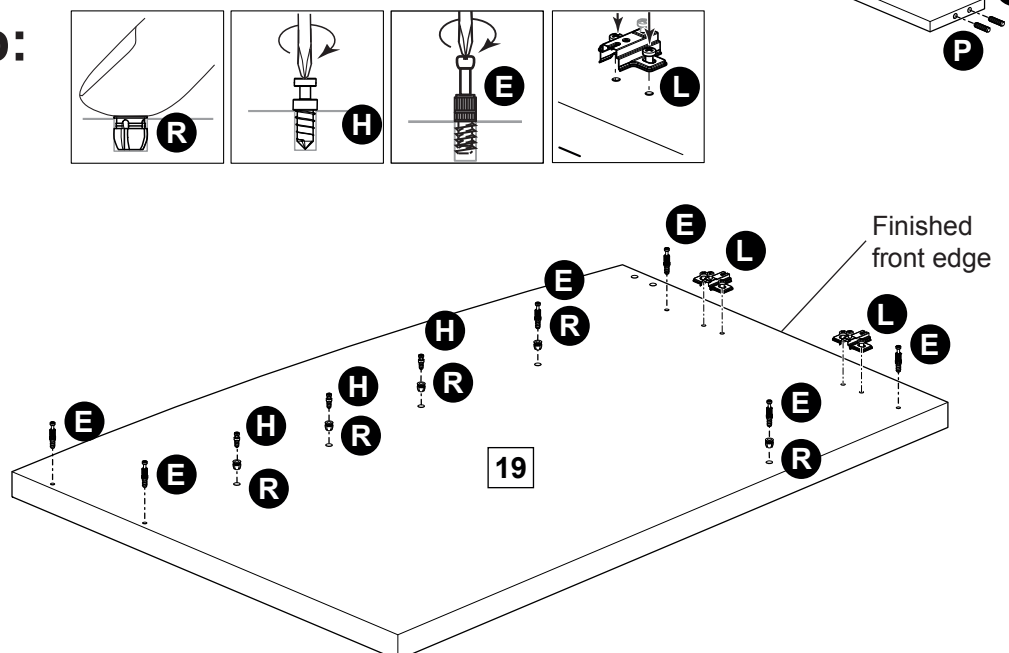


b: Insert 5 plugs **R** in footboard **19**.

Screw 3 small locking screws **H** and 6 locking screws **E** in footboard **19**.

Followed by screwing 2 back hinges **L** in footboard **19**.

b:



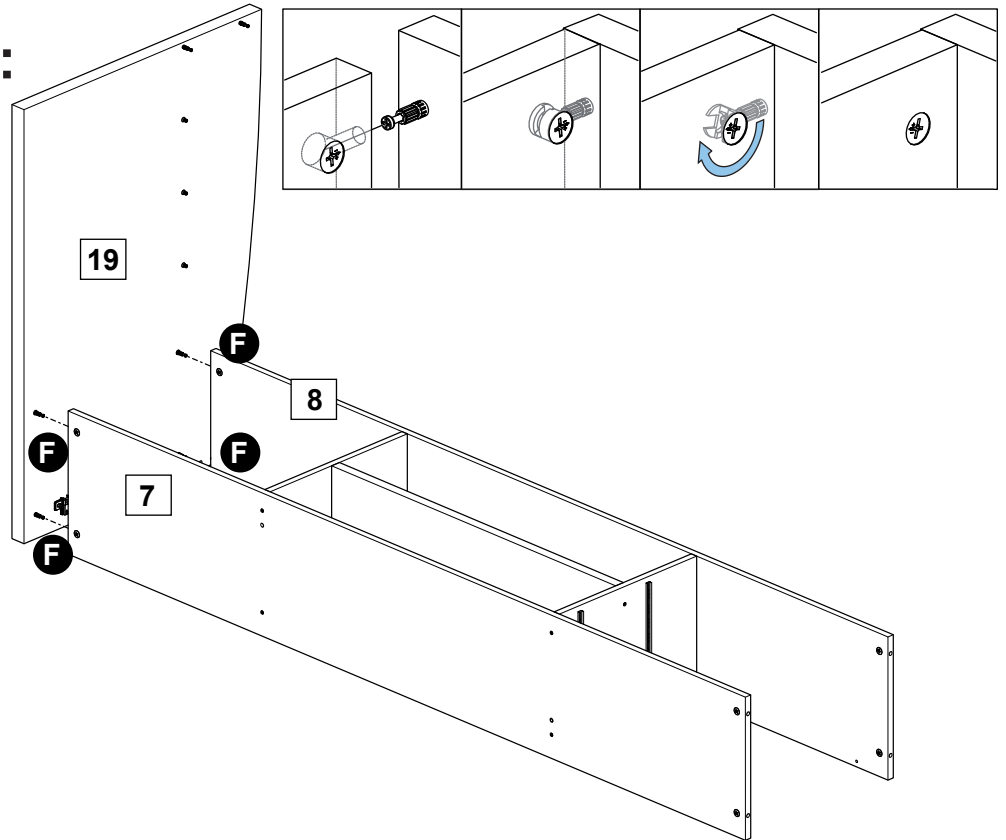
Assembly Instructions

Step 4

Attaching panels

a: Use a screwdriver to turn the 4 locking nuts **F** in storage top **8** and bottom **7** clockwise to lock on footboard **19**.

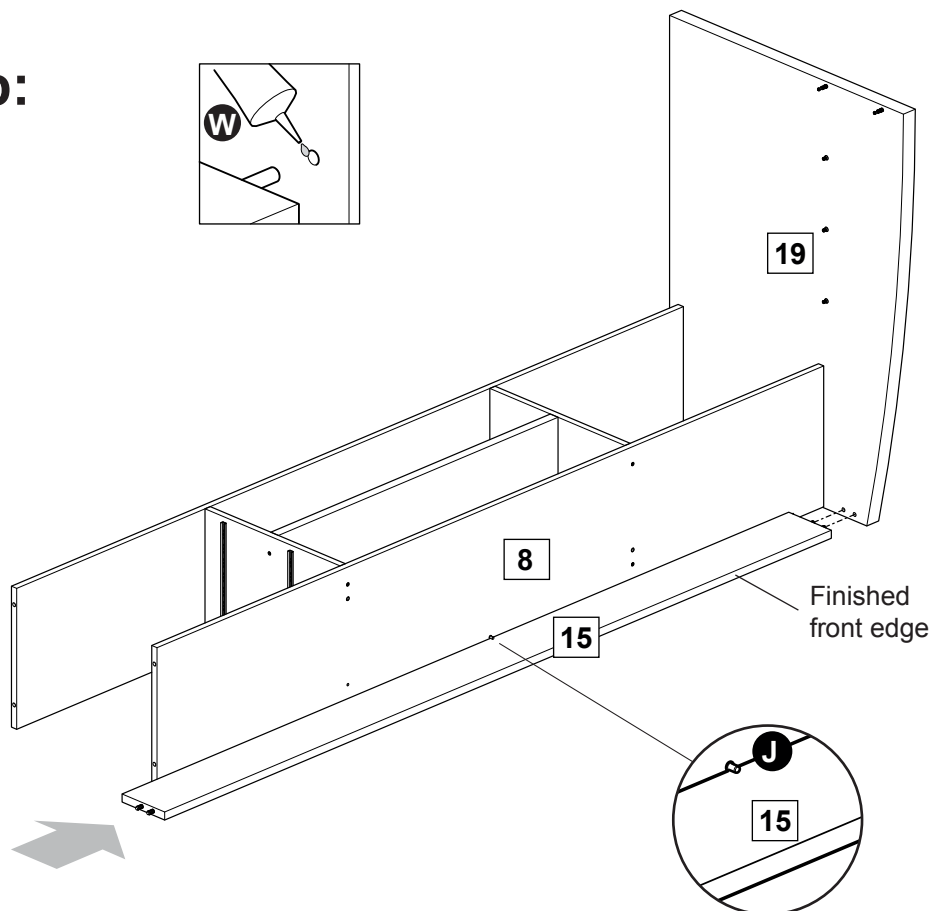
a:



b: Put drop of glue **W** in the 2 holes of footboard **19** before sliding them onto the dowels of front panel **15**.

Make sure front panel **15** is placed beneath shelf support **J** as is shown.

b:



Assembly Instructions

Step 5

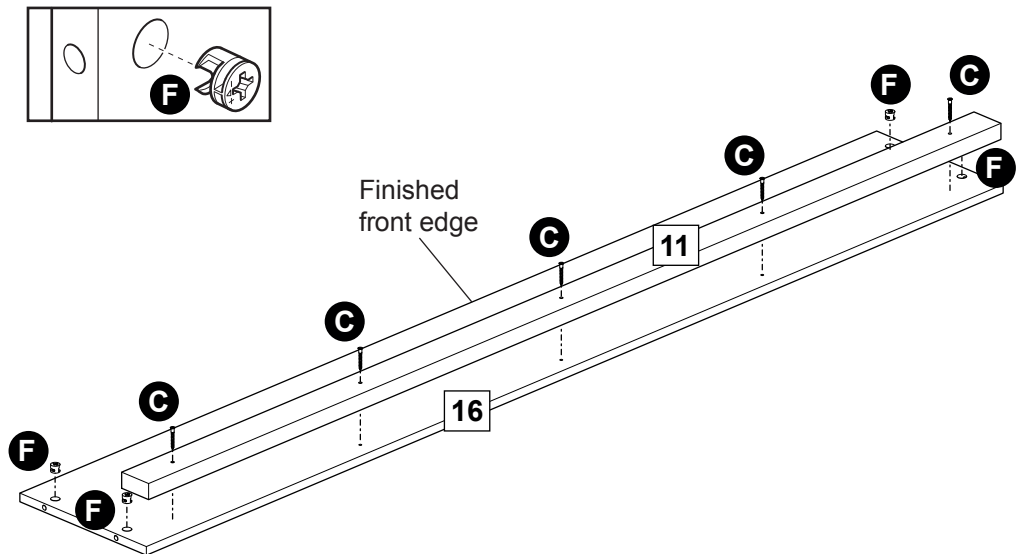
Preparing panels

a: Attach plinth **11** to rear panel **16** with 5 confirmat screws **C** using allen key **G**.

Insert 4 large locking nuts **F** into rear panel **16** where shown.

Make sure the 'arrow' on **F** is pointing towards the hole in the edge of rear panel **16**.

a:



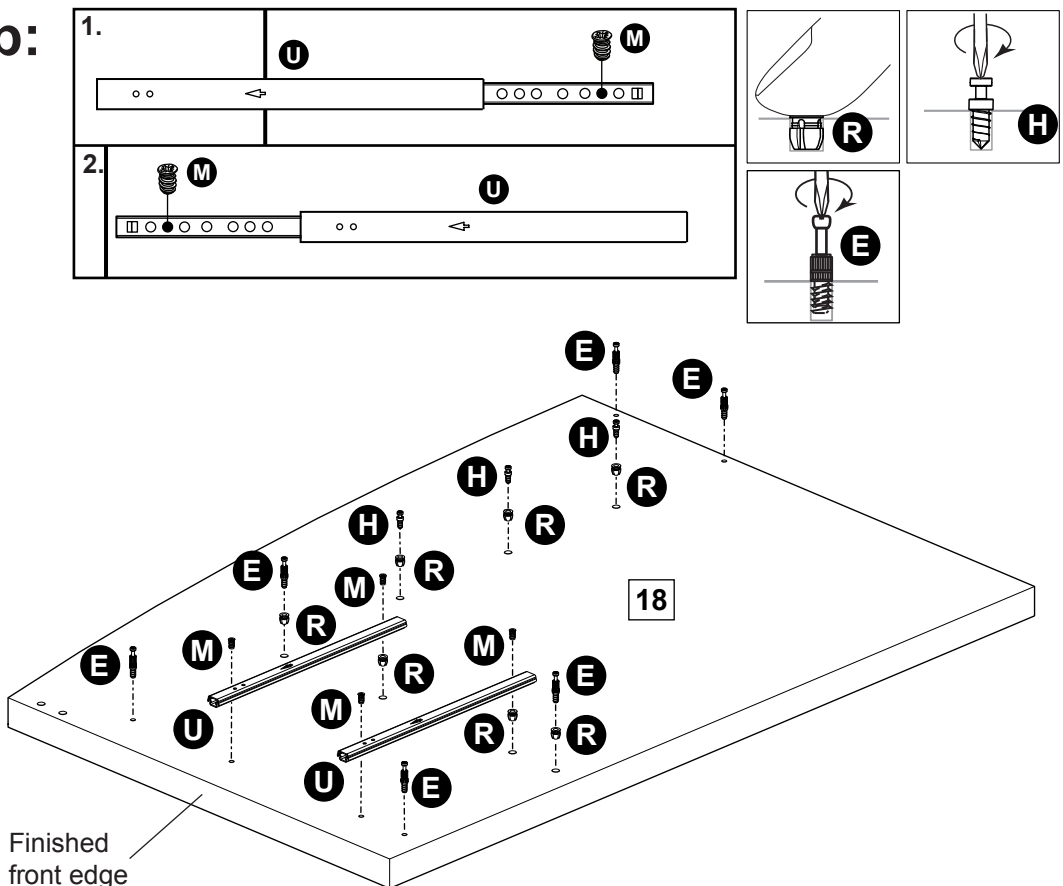
b: Insert 7 plugs **R** in headboard **18**.

Screw 3 small locking screws **H** and 6 locking screws **E** in headboard **18**.

Followed by attaching the runners **U** with 4 drawer fixing screws **M**.

Make sure the arrow on the runner is pointing to the finished front edge.

b:



Assembly Instructions

Step 6

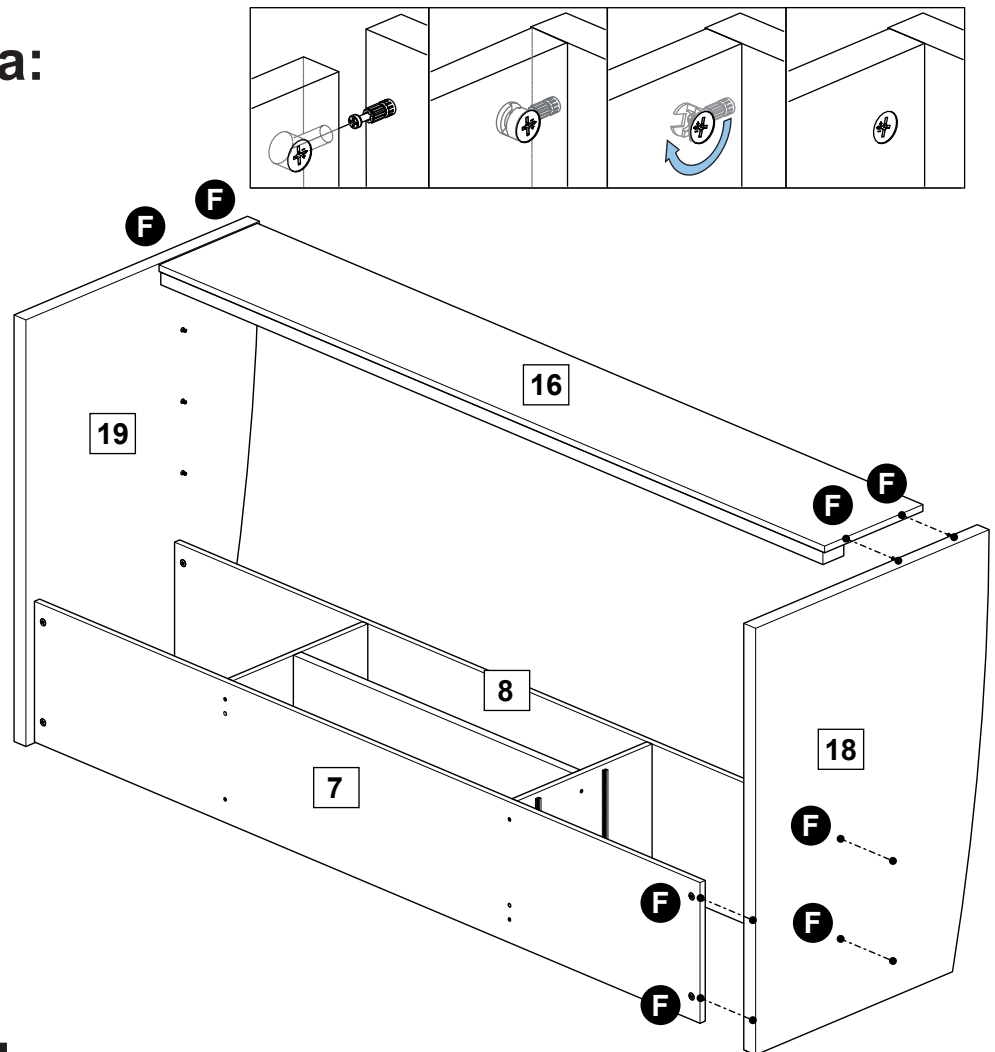
Assembling main body

a: Connect the rear panel **16** to the footboard **19** and use a screwdriver to turn the 2 locking nuts **F**.

Let another person hold the rear panel **16** while connecting the headboard **18** to the rear panel **16**, storage top **8** and bottom **7**.

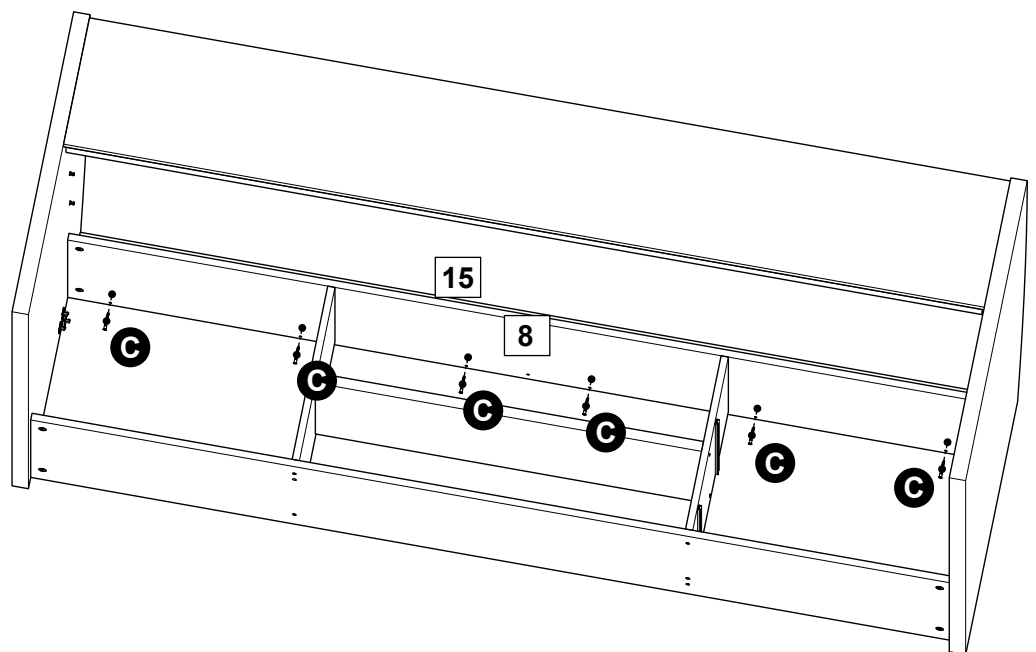
Use a screwdriver to turn the 6 locking nuts **F**.

a:



b:

b: Fix the front panel **15** to the storage top **8** with 6 confirmat screws **C** using allen key **G**.



Assembly Instructions

Step 7

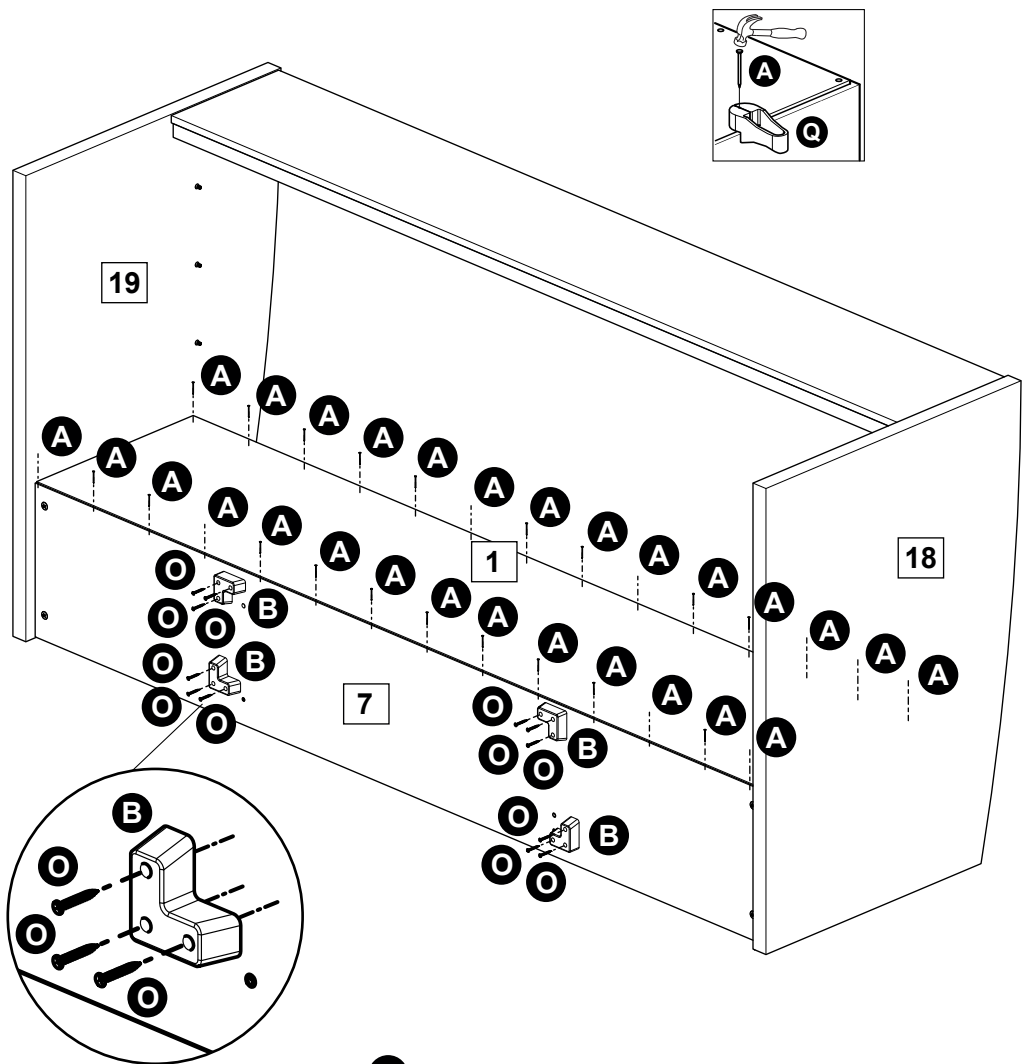
Fitting back panel

Attach back **1** to the back of the storagebox with the coloured surface facing the inside of the unit using nails **A**.

Use nail holder **Q** to hold the nails vertical and at correct distance as you secure the back. The nails should be spaced about 150 mm apart.

Attach the 4 feet **B** on the storage bottom **7** using 12 chipboard screws **O**.

Note: there are no pre-drilled holes for the chipboard screws **O**.



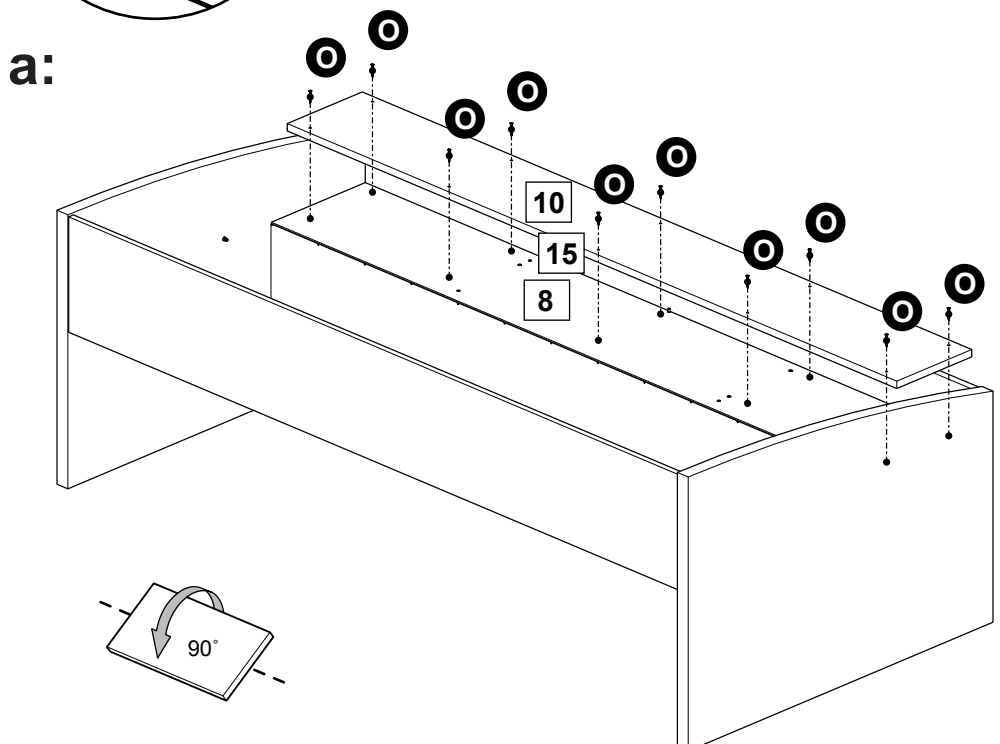
Step 8

Assembling support boards

a: Flip the unit from its side with two persons.

Use 8 chipboard screws **O** to attach small bedbase **10** to the storage top **8**, make sure to position the small support board against the front panel **15**.

Note: there are no pre-drilled holes for the chipboard screws **O**.

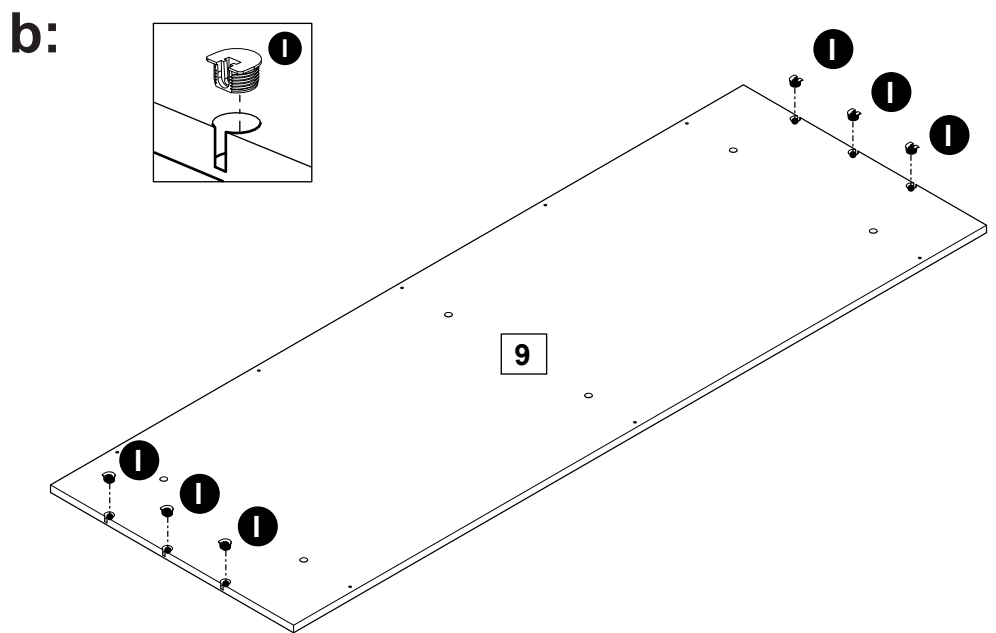


Continued on next page.

Assembly Instructions

Step 8 continued

b: Place 6 connectors **I** in the bedbase **9**.

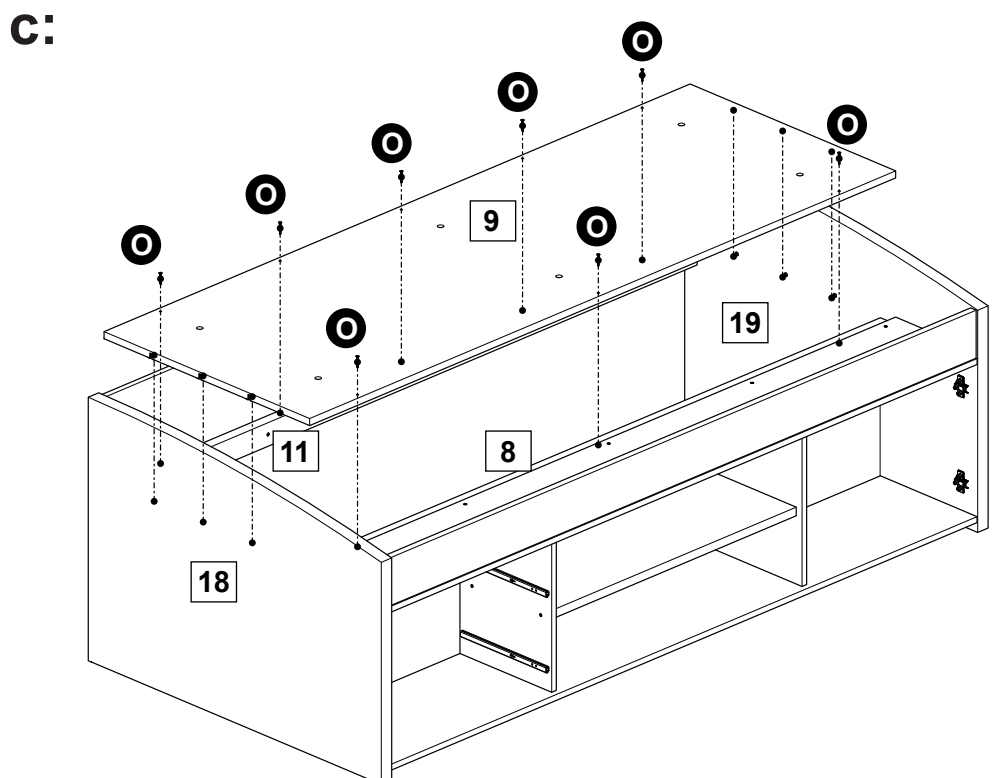


c: Two persons are needed for this step.

Place the bedbase **9**, with connectors **I** facing downward, on the small locking screws **H** on headboard **18** and footboard **19**.

Use 8 chipboard screws **O** to attach the bedbase **9** to the plinth **11** and storage top **8**.

Note: there are no pre-drilled holes for the chipboard screws **O**.



Assembly Instructions

Step 9

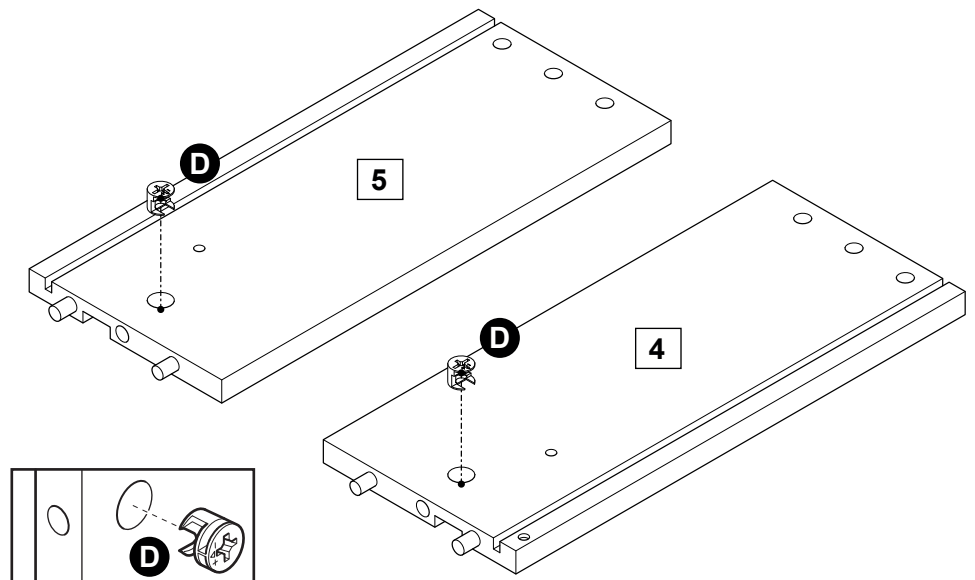
Preparing the drawer sides

a: Insert 2 small locking nuts **D** into the holes on drawersides **4** and **5**.

Make sure the 'arrow' on **D** is pointing towards the hole in the edge of **4** and **5**.

a:

2x

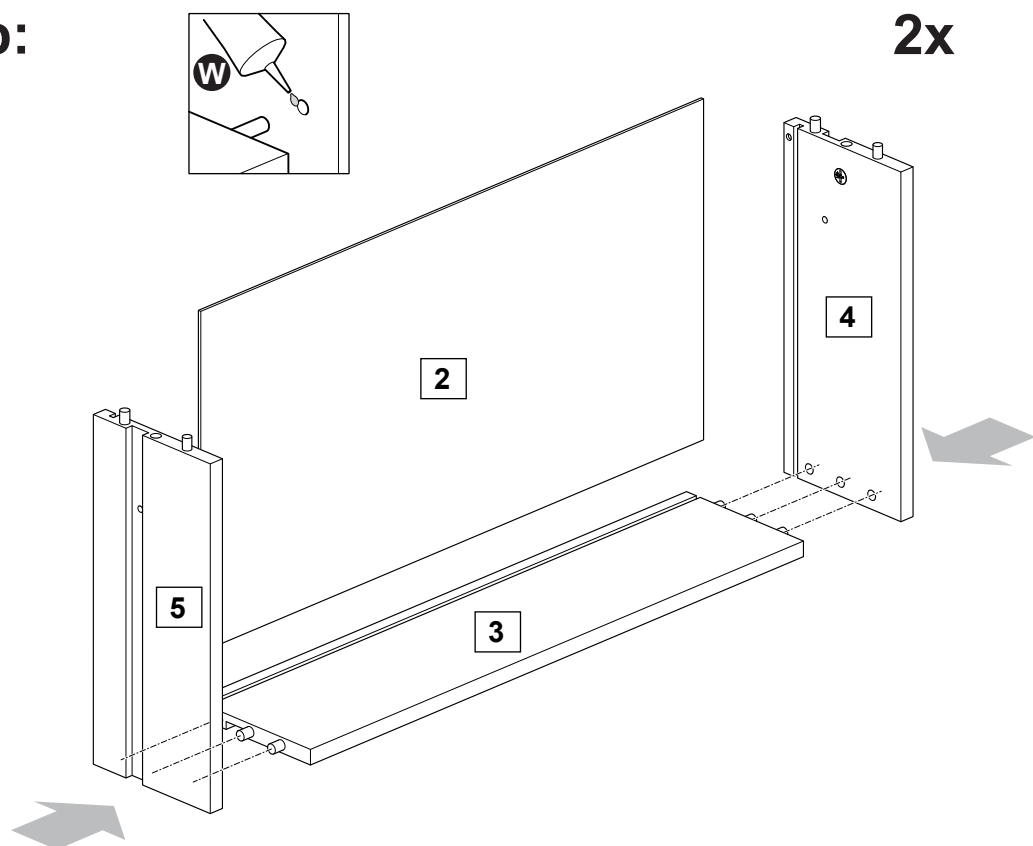


b: Put a drop of glue **W** in the 6 holes of drawersides **4** and **5** before sliding them onto the dowels of drawerback **3**.

Slide drawerbase **2** in the grooves of the drawer-unit.

b:

2x



Assembly Instructions

Step 10

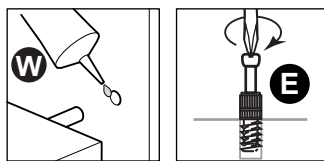
Assembling drawer

a: Screw 2 locking screw **E** into the holes shown on the back of each drawer front **17**.

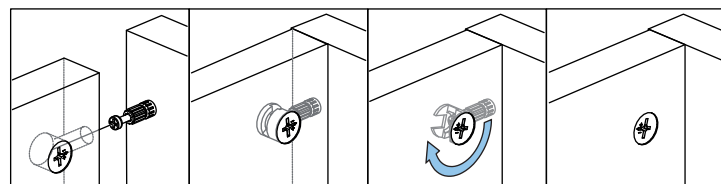
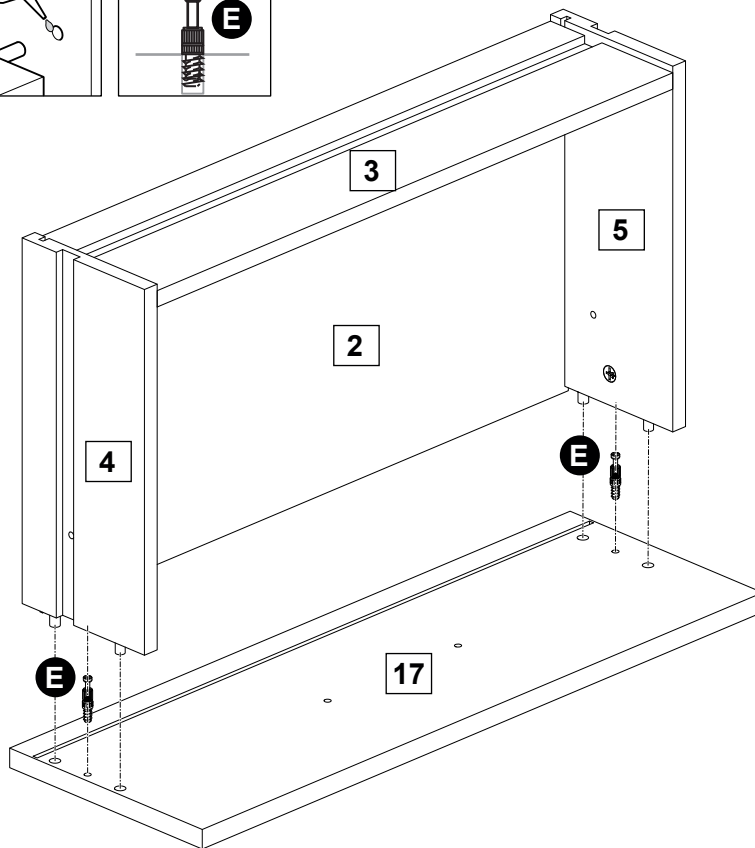
Put drop of glue **W** in the 4 holes of the drawer front **17** before sliding them onto the dowels of drawer sides **4** and **5**.

Turn the drawer wrap assembly over and push onto the drawer front **17**. Use a phillips or flatblade screwdriver, that is a good fit, to turn the small locking nut **D** as far as it will go - more than 1/2 turn.

a:



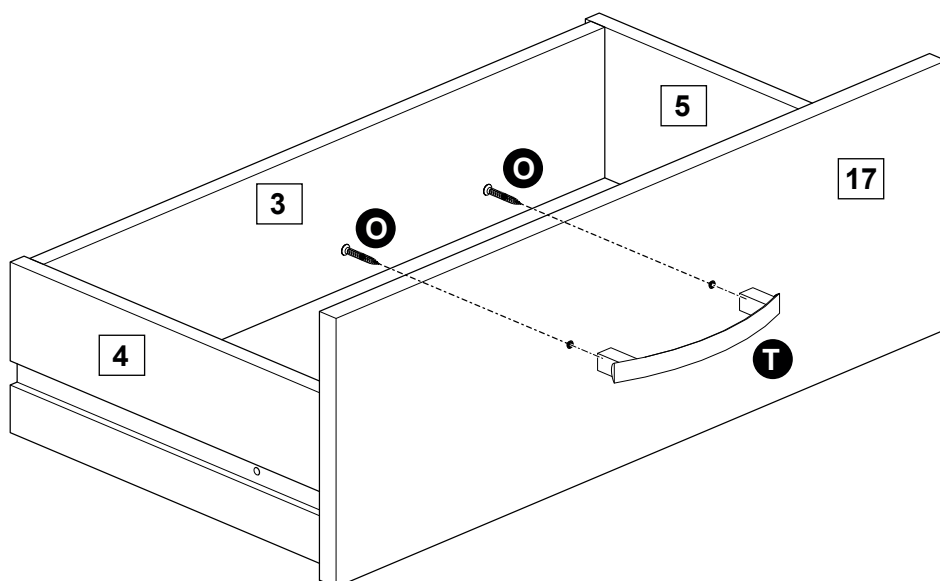
2x



b: Attach drawer handle **T** on drawer front **17** as shown using 2 chipboardscrews **O**.

b:

2x



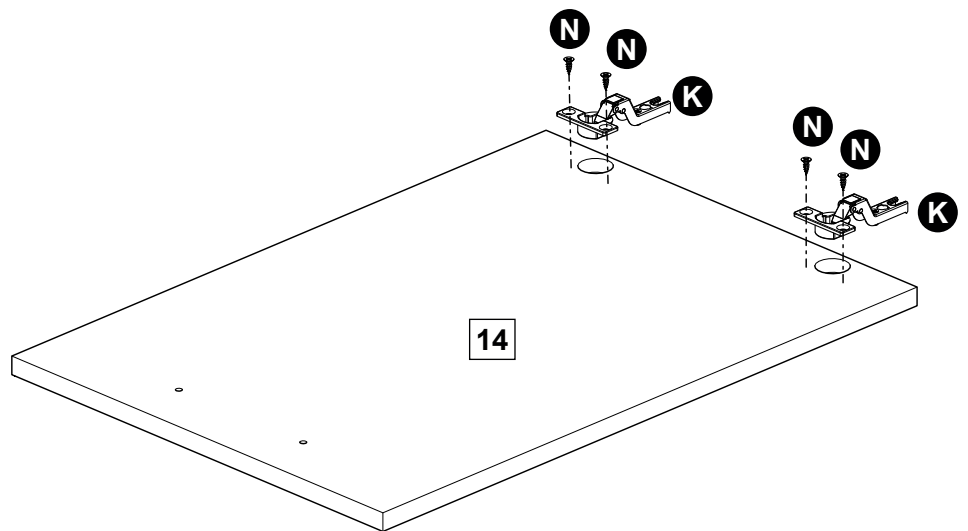
Assembly Instructions

Step 11

Preparing door

Position the 2 door hinges **K** in the holes on the door front **14**, fixate with 4 pozi screws **N**.

Note: there are no pre-drilled holes for the pozi screws **N**.

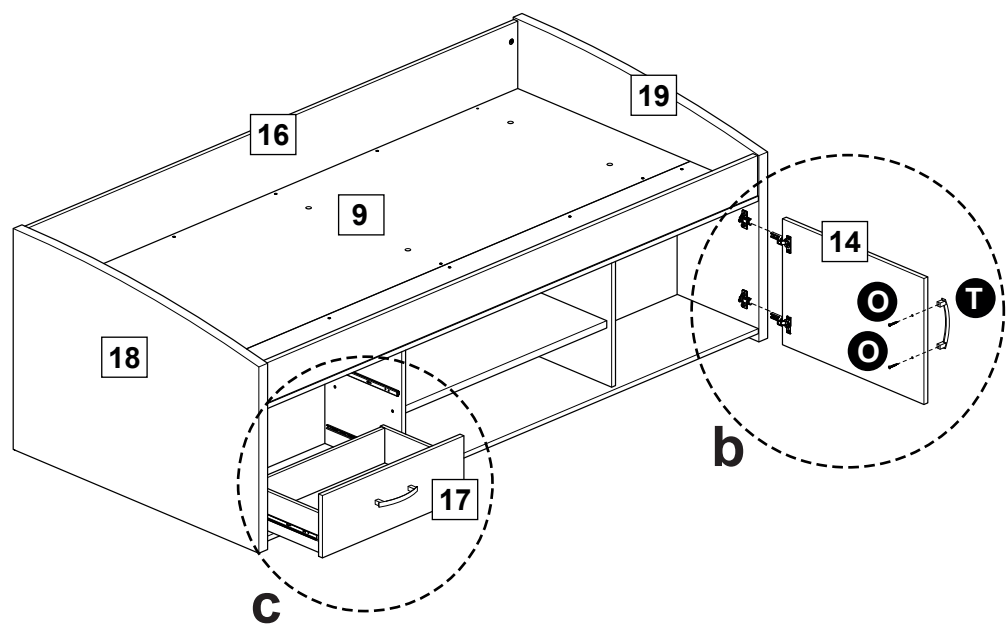


Step 12

Attaching door and drawers

a: Follow the instructions on the next page to assemble the door and drawers.

a:



Continued on next page.

Assembly Instructions

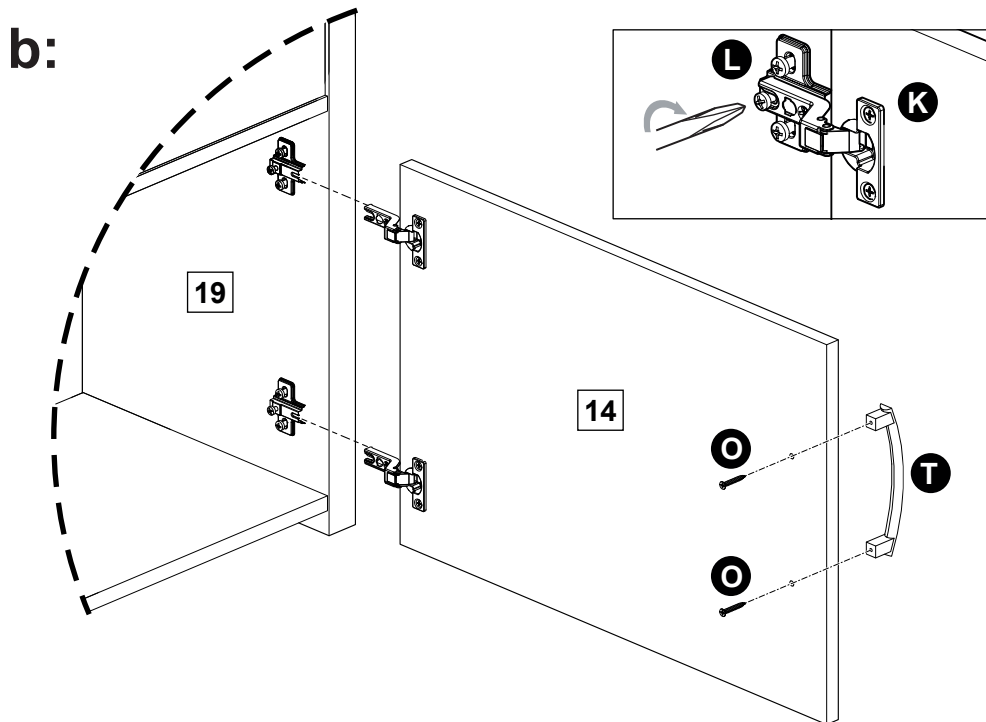
Step 12 continued

b: slot door hinges **K** onto the back hinges **L** on the footboard **19**.

Fix and position the door by tightening the screws on the back hinges **L**.

See 'A Guide to - Hinges' on page 15 for more detailed instructions for assembling the door or if the door needs adjusting.

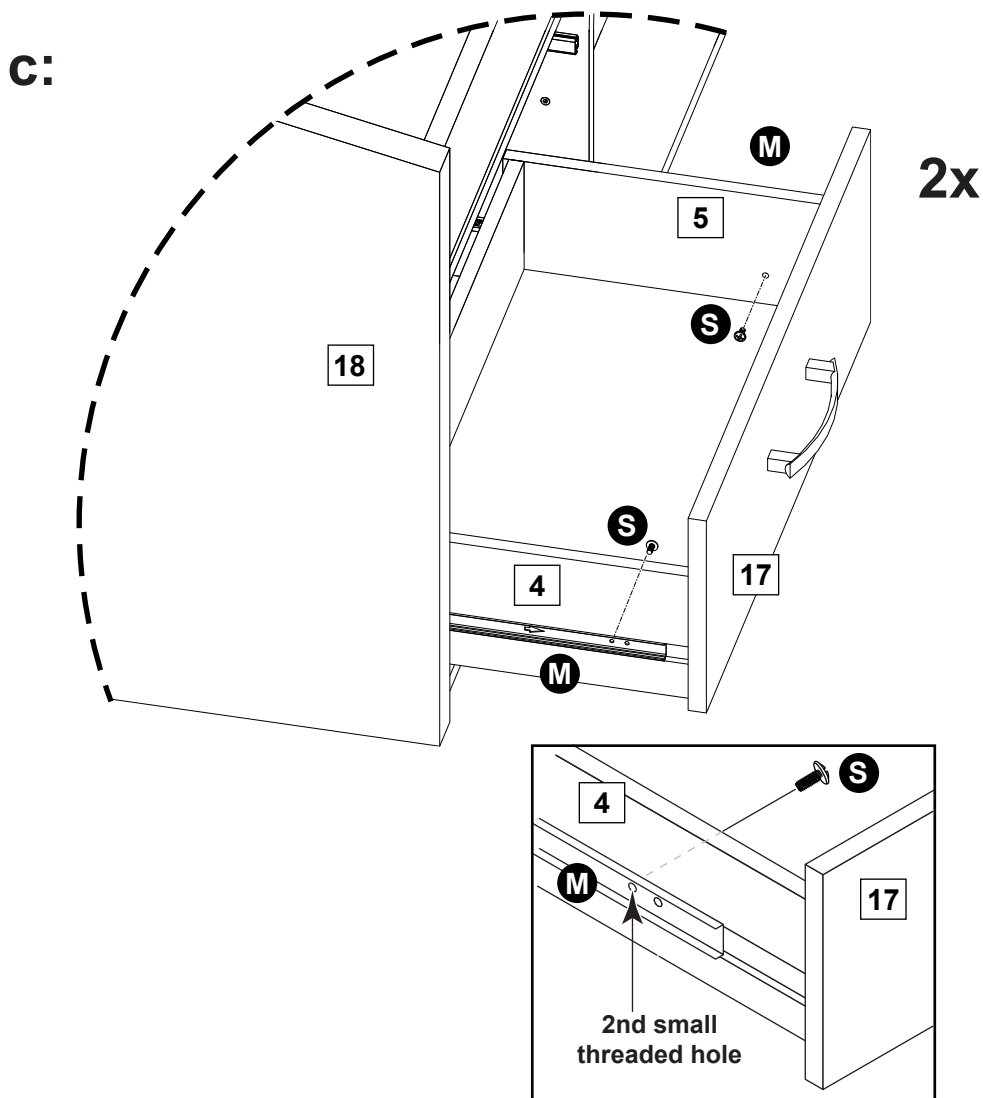
Attach door handle **T** on the door front **14** as shown using 2 chipboardscrews **O**.



c: Fix the runners **M** on left and right drawer side **4** and **5** as shown using screw **S**.

Repeat for the second drawer.

Assembly is complete.



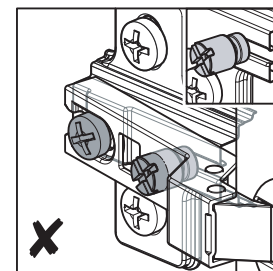
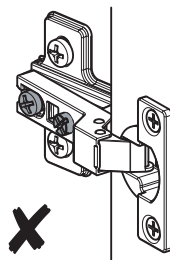
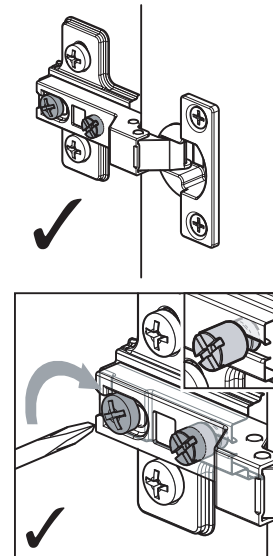
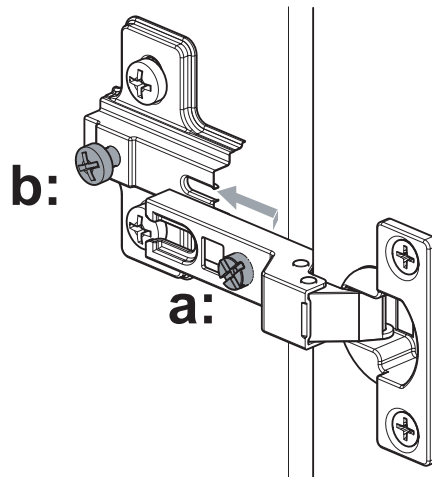
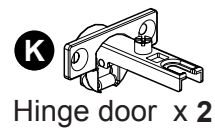
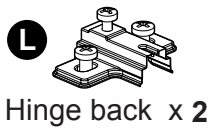
A Guide to - Hinges

Assemble

a: Hook hinge door correctly to the hinge back as shown.

b: Tighten screw to lock hinges in position.

Note: The nick screw of hinge door should slide into the recess of hinge back.



Adjustment

a: To move door up or down: loosen screws shown and move door to suit.

Once door is aligned, re-tighten.

b: To move door in or out: loosen screw shown and move door to suit.

Re-tighten screws.

c: To move door left or right: loosen screw shown and move door to suit.

Re-tighten screws.

