

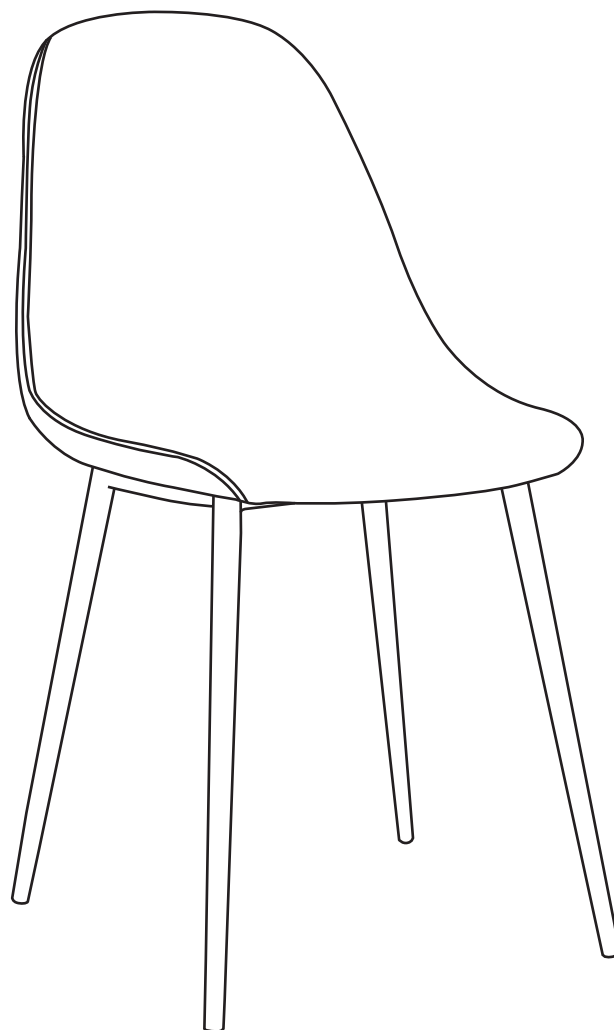
HYGENA BENI PAIR OF CHAIRS

Assembly Instructions - Please keep for future reference

459/6118 (D)

461/0269 (D)

hygena



Dimensions

Width - 44 cm

Depth - 56 cm

Height - 86.5 cm

Important – Please read these instructions fully before starting assembly

If you need help or have damaged or missing parts, call the Argos Aftersales
Helpline: 0345 640 0800



Safety and Care Advice

Important – Please read these instructions fully before starting assembly

- Check you have all the components and tools listed on the following pages.
- Remove all fittings from the plastic bags and separate them into their groups.
- Keep children and animals away from the work area, small parts could choke if swallowed.
- Make sure you have enough space to layout the parts before starting.

- During assembly do not stand or put weight on the product, this could cause damage.
- Assemble the item as close to its final position (in the same room) as possible.
- Assemble on a soft level surface to avoid damaging the unit or your floor.
- Parts of the assembly will be easier with 2 people.



- To reduce the likelihood of damaging your product please ensure that your power drill is set on a low torque setting.

Care and maintenance

- Only clean using a damp cloth and mild detergent, do not use bleach or abrasive cleaners.
- From time to time check that there are no loose screws on this unit.
- This product should not be discarded with household waste. Take to your local authority waste disposal centre.

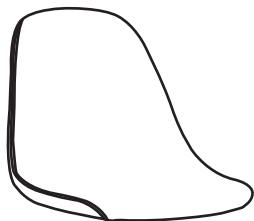
Handy Hints

- Assemble all parts and bolts loosely during assembly, only once the product is complete should you fully tighten the bolts
- Regularly check and ensure that all bolts and fittings are tightend properly.

Note: if required the next page can be cut out and used as reference throughout the assembly. Keep this page with these instructions for future reference.

Components - Panels

Please check you have all the panels listed below



1 Seat x 1



2 Leg x 1



Components - Fittings

Please check you have all the fittings listed below

Note: The quantities below are the correct amount to complete the assembly. In some cases more fittings may be supplied than are required.

A



M6*20mm x 4

Tools required



Allen key

Ruler - Use this ruler to help correctly identify the screws

0 5 10 15 20 25 30 35 40 45 50 55 60 65 70 75 80 85 90 95 100 105 110 115 120 125 130 135 140 145 150 155 160 165 170



The screws length is measured from the head to the point (30mm screw shown).

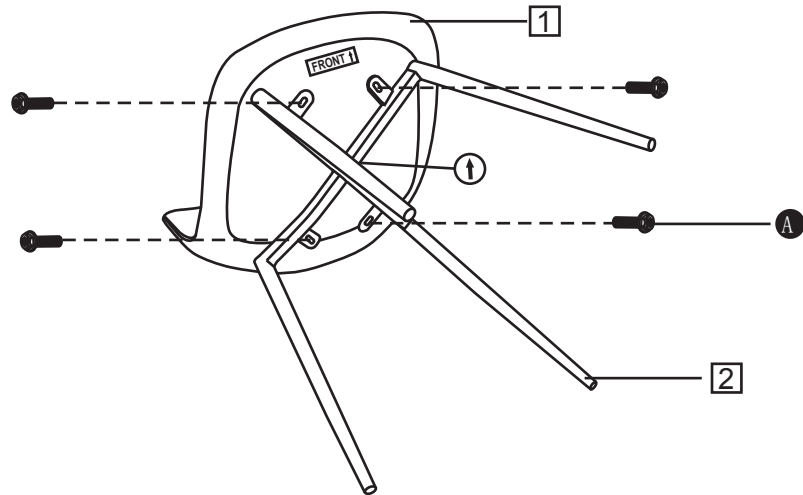
Assembly Instructions

Step 1

Fitting the leg

Use bolt **A** to attach leg **2** to seat **1** with correct orientation.

a:

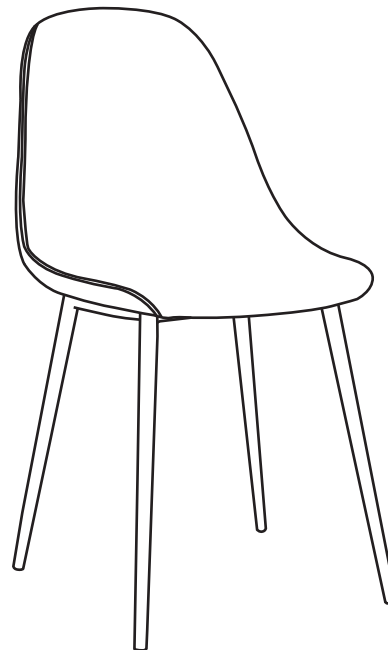


Step 2

Finishing the Unit

Carefully place the unit in the desired location.

Assembly is complete.



If you need help or have damaged or missing parts, call the Argos Aftersales Helpline 0345 640 0800
489-499 Avebury Boulevard Milton Keynes MK9 2NW, Argos Limited