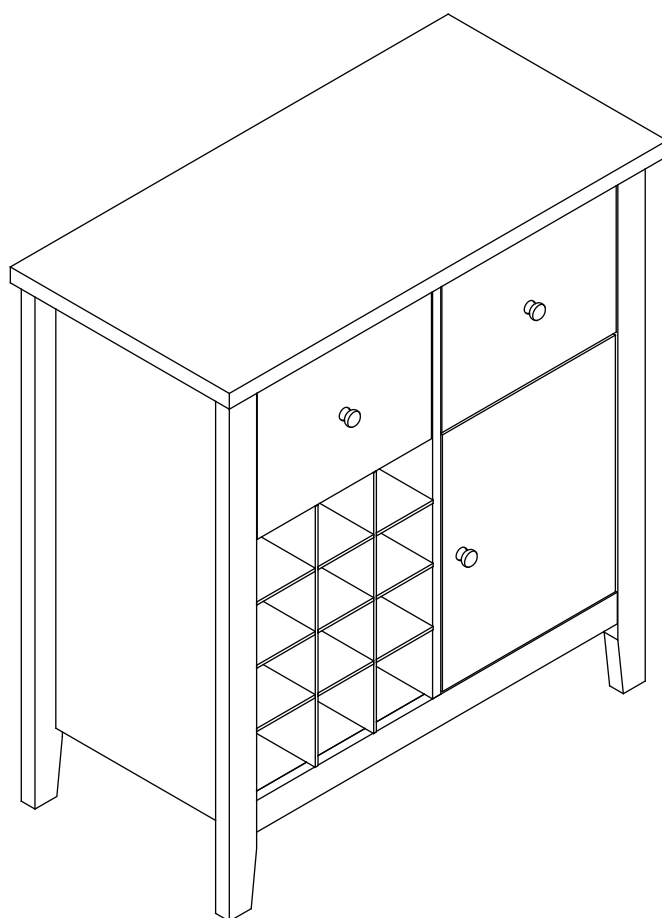


# Luna Sideboard With Wine Rack

Assembly Instructions - Please keep for future reference

459/6077

**hygena**



## Dimensions

Width - 80cm  
Depth - 40cm  
Height - 85cm

**Important - Please read these instructions fully before starting assembly**

If you need help or have damaged or missing parts, call the

**Customer Helpline: 0345 6400 800**

Issue 1-28-10-15



## Safety and Care Advice

**Important – Please read these instructions fully before starting assembly**

Check you have all the components and tools listed on pages 2 and 3.

Remove all fittings from the plastic bags and separate them into their groups.

Keep children and animals away from the work area, small parts could choke if swallowed.

Make sure you have enough space to layout the parts before starting.

Assemble the item as close to its final position (in the same room) as possible.

Assemble on a soft level surface to avoid damaging the unit or your floor.

Assembly requires 2 people.

Do not stand or put excessive weight on the product, this could cause damage.



We do not recommend the use of power drill/drivers for inserting screws, as this could damage the unit. Only use hand screwdrivers and Allen keys.

Dispose of all packaging carefully and responsibly.

### Solid wood / Real wood veneers

This product has been finished using natural materials. As a living material, you may notice some variation in the grain and colour shade between the different components.

Unlike a synthetic or man-made material which has a uniform finish, a feature of natural wood is its variation in grain and colour. We wish to reassure you that this is quite normal and is not the result of any manufacturing fault.

Where sheets of wood are joined together, a line may be detected. Again, this is normal and is not an imperfection.

The natural finish should be cared for by the periodic application of a good quality 'wax' based domestic furniture polish (Not silicone!!). Occasional / small spills should be removed immediately using a damp cloth.

Do not allow hot articles to come into contact with the surface, as damage will occur!

### Care and maintenance

Only clean using a damp cloth and mild detergent, do not use bleach or abrasive cleaners.

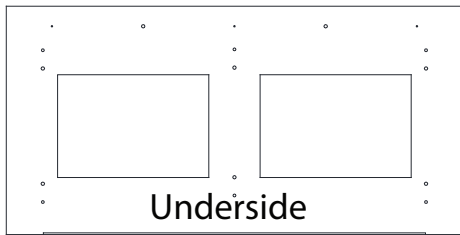
From time to time check that there are no loose screws on this unit.

This product should not be discarded with household waste. Take to your local authority waste disposal centre.

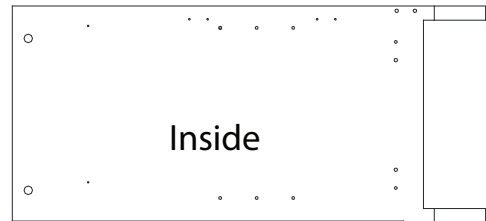
# Components - Parts

If you have damaged or missing components.  
call the **Customer Helpline**: 0345 6400 800

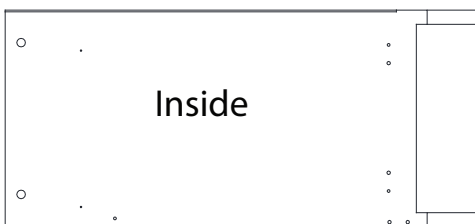
Please check you have all the parts listed below



**1** Top panel  
(80x40x2.5cm)



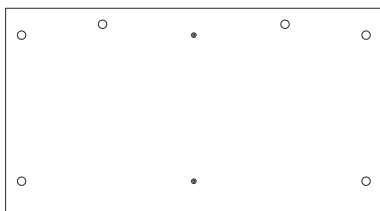
**2** Side panel (left)  
(83x38x5cm)



**3** Side panel (right)  
(83x38x5cm)



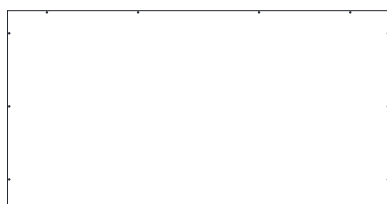
**4** Divider  
(68x37.5x1.5cm)



**5** Base panel  
(66x36x1.5cm)



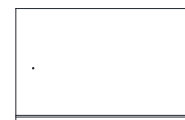
**6** Lower apron  
(66x5x1.5cm)



**7** Back panel X 2  
(70x34x0.3cm)



**8** Drawer back X 2  
(29x20x1.2cm)



**9** Drawer side panel (right) X 2  
(35x20x1.2cm)

# Components - Parts

If you have damaged or missing components.  
call the **Customer Helpline**: 0345 6400 800

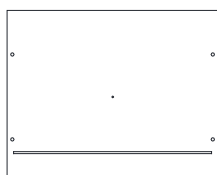
Please check you have all the parts listed below



**10** Drawer Side Panel (left) X 2  
(35x20x1.2cm)



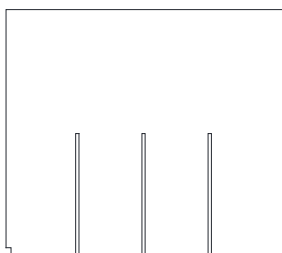
**11** Drawer Base X 2  
(34.4x29.4x0.3cm)



**12** Drawer Front X 2  
(31.8x25x1.5cm)



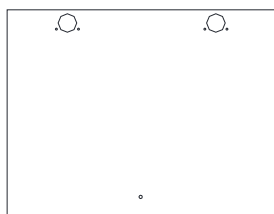
**13** Wine Rack panel (Horizontal) X 3  
(32.8x37x0.5cm)



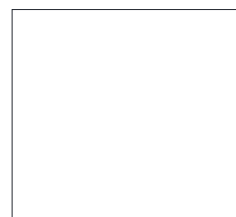
**14** Wine Rack panel (vertical) X 2  
(37x42.3x0.5cm)



**15** Upper Apron  
(66x2x1.5cm)



**16** Door  
(40.6x32.9x1.5cm)



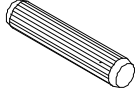
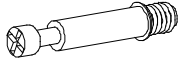



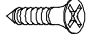
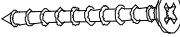

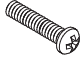

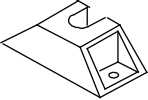
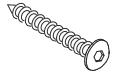
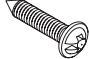



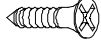



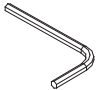
**17** Shelf  
(35.4x32x0.9cm)

# Components - Fittings

If you have damaged or missing components, call the **Customer Helpline: 0345 6400 800**

Please check you have all the fittings listed below

**Note:** The quantities below are the correct amount to complete the assembly. In some cases more fittings may be supplied than are required.

<p><b>A</b></p>  <p>Wooden dowel x 20 (6X30mm)</p>	<p><b>B</b></p>  <p>Metal dowel x 20</p>	<p><b>C</b></p>  <p>Large locking nut x 8</p>
<p><b>D</b></p>  <p>Small locking nut x 12</p>	<p><b>E</b></p>  <p>Drawer runner x 4 (L342mm)</p>	<p><b>F</b></p>  <p>Screw x 8 (3x12mm)</p>
<p><b>G</b></p>  <p>Wood screw x 11 (4x30mm)</p>	<p><b>H</b></p>  <p>Handle x 3</p>	<p><b>J</b></p>  <p>Screw x 3 (4x18mm)</p>
<p><b>K</b></p>  <p>Screw x2 (3x10mm)</p>	<p><b>L</b></p>  <p>Plastic door catch x 1</p>	<p><b>M</b></p>  <p>Screw x 2 (5x40mm)</p>
<p><b>N</b></p>  <p>Screw x 27 (2.5x10mm)</p>	<p><b>P</b></p>  <p>Shelf support pins x 4</p>	<p><b>Q</b></p>  <p>Screw x 2 (4x10mm)</p>
<p><b>R</b></p>  <p>Door hinge x 2</p>	<p><b>S</b></p>  <p>Screw x 8 (4x12mm)</p>	<p><b>T</b></p>  <p>Wall strap x 2</p>
<p><b>U</b></p>  <p>Screw x 2 (3.5x16mm)</p>	<p><b>V</b></p>  <p>Washer x 2</p>	<p><b>W</b></p>  <p>Allen key X 1</p>

## Tools required

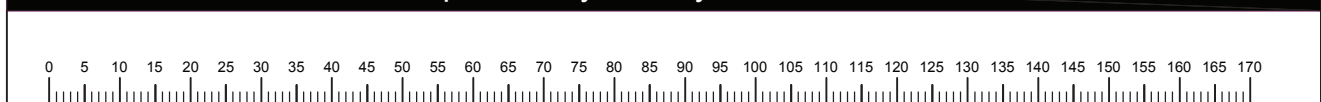


Ruler/tape measure



Phillips screwdriver  
(Not supplied)

**Ruler** - Use this ruler to help correctly identify the screws



# Assembly Instructions

## Step 1

### Preparing panels

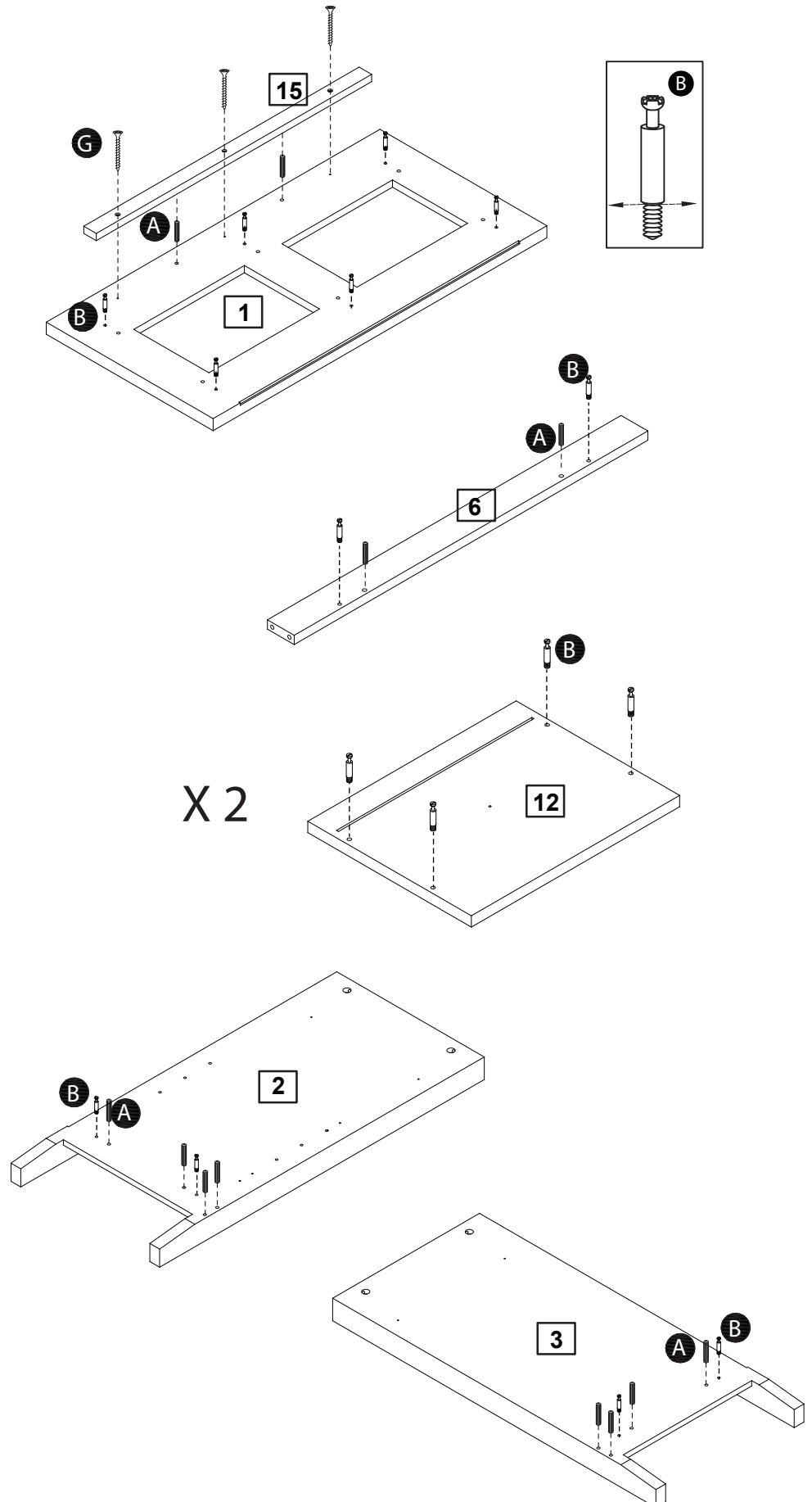
Place top **1**, lower apron **6**, drawer front **12** and drawer side panels **2** and **3** flat onto the floor with the fixing holes facing up.

Screw metal dowels **B** into all panels as shown.

**Note:** Screw metal dowels as far as shown. Do not overtighten.

Insert wood dowels **A** into top **1**, side frames **2** and **3** and lower apron **6** as shown.

Assemble upper apron **15** to top **1** using screws **G**



# Assembly Instructions

## Step 2

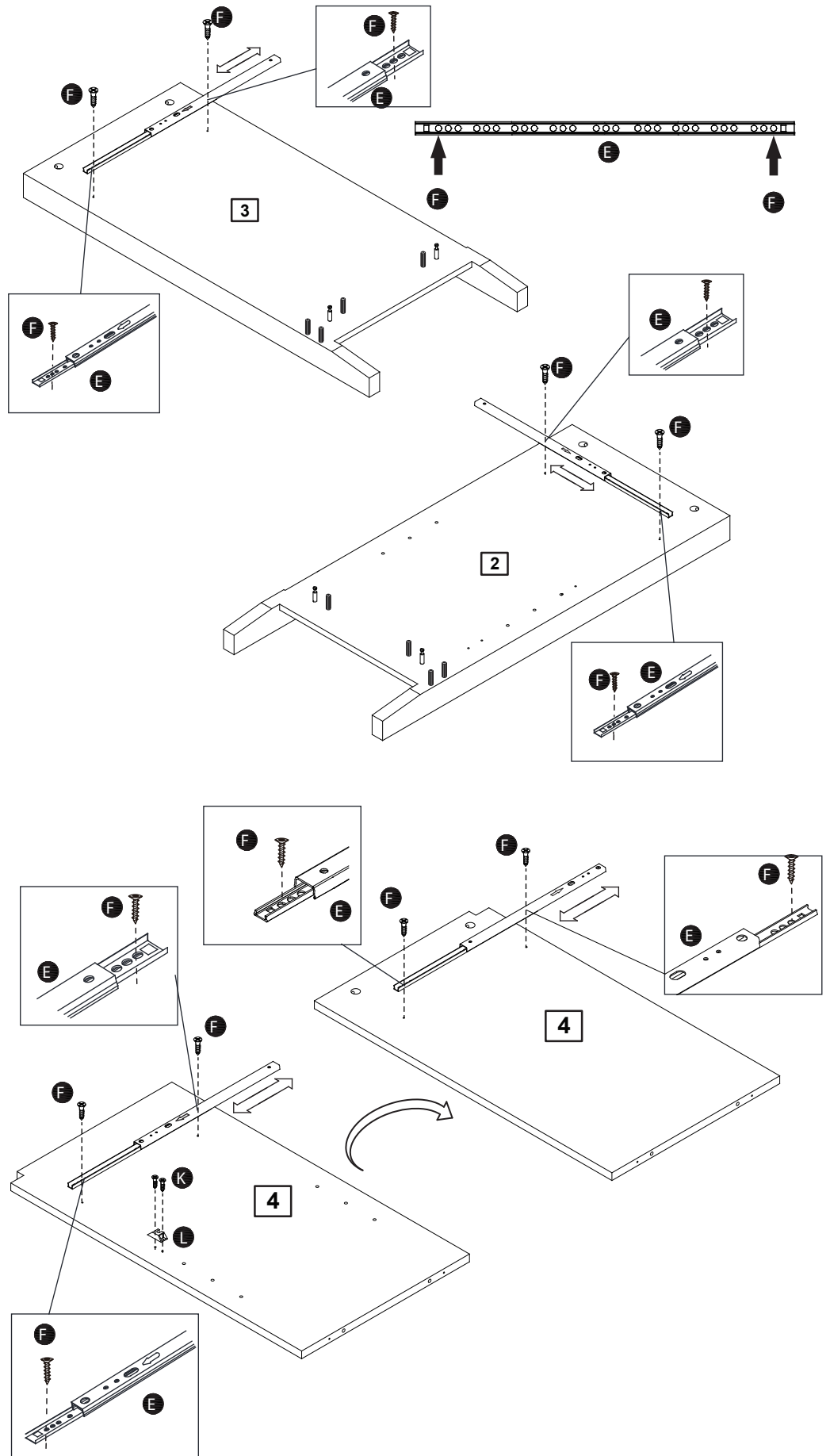
### Preparing side panels

Place left and right side frames **2** and **3** flat on the floor with the fixing holes facing up.

Fit drawer runners **E** to side frames **2**, **3** and both sides of divider **4** using screws **F**.

**Note:** The drawer runners should be fixed through the holes shown. It will be necessary to extend/close the runners to gain access to the holes.

Assemble plastic door catch **L** to divider **4** using screws **K**.



# Assembly Instructions

## Step 3

### Assembling panels

**a:** Locate apron **6** onto base panel **5**.

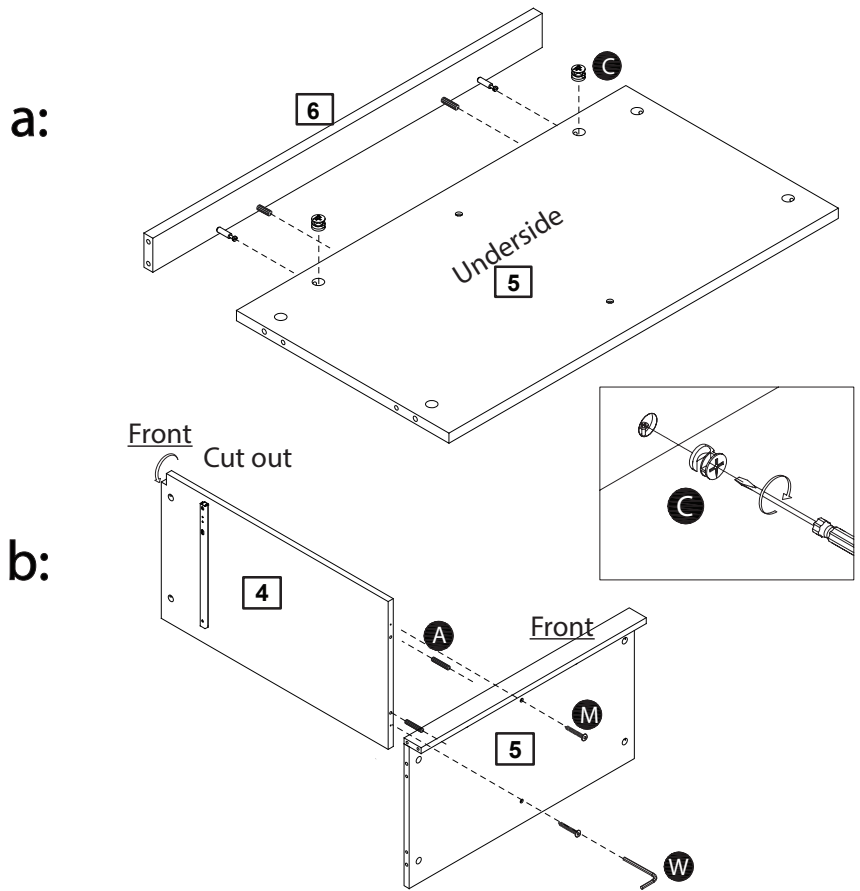
Insert large locking nuts **C** into the underside of base panel **5** as shown.

Turn locking nuts clockwise to secure.

**b:** Insert wood dowels **A** into the bottom edge of divider **4**.

Assemble divider **4** to base panel **5** using screws **M**.

**Note:** Ensure the cut out in the top corner of divider **4** is located at the front.



## Step 4

### Assembling side frames

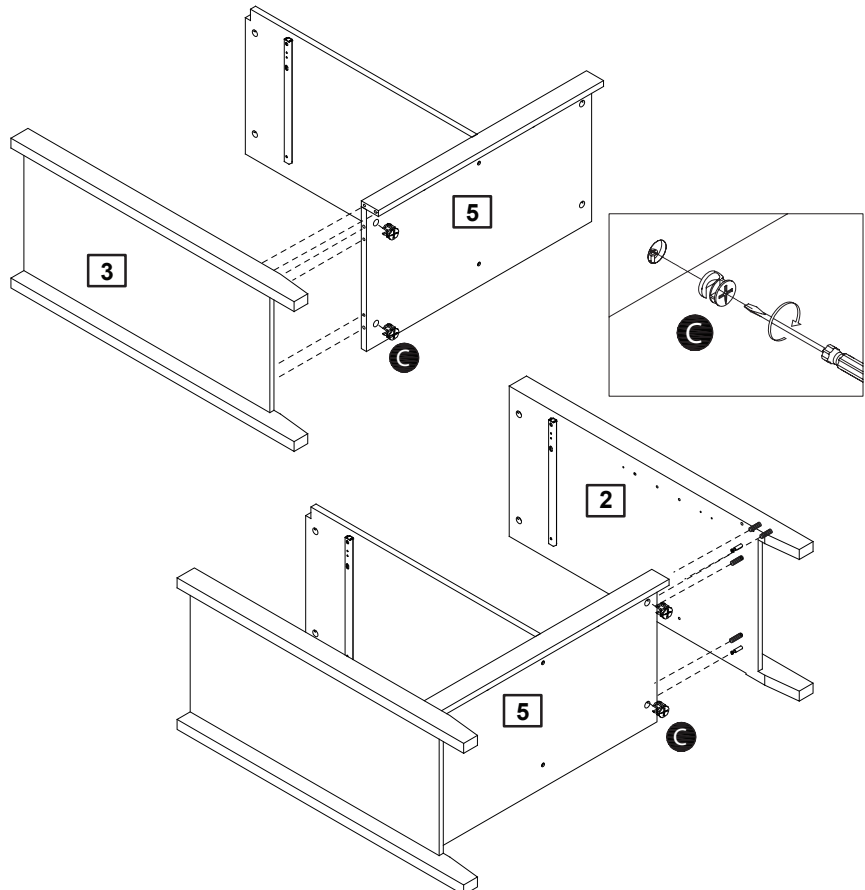
With help, carefully locate the base panel assembly onto right side panel **3**.

Insert large locking nuts **C** into the holes in base panel **5** as shown.

Turn locking nuts clockwise to secure.

Locate left side frame **2** into position and insert locking nuts **C** into base panel **5** as shown.

Turn locking nuts clockwise to secure.





# Assembly Instructions

## Step 5

### Assembling top

With help stand the unit upright.

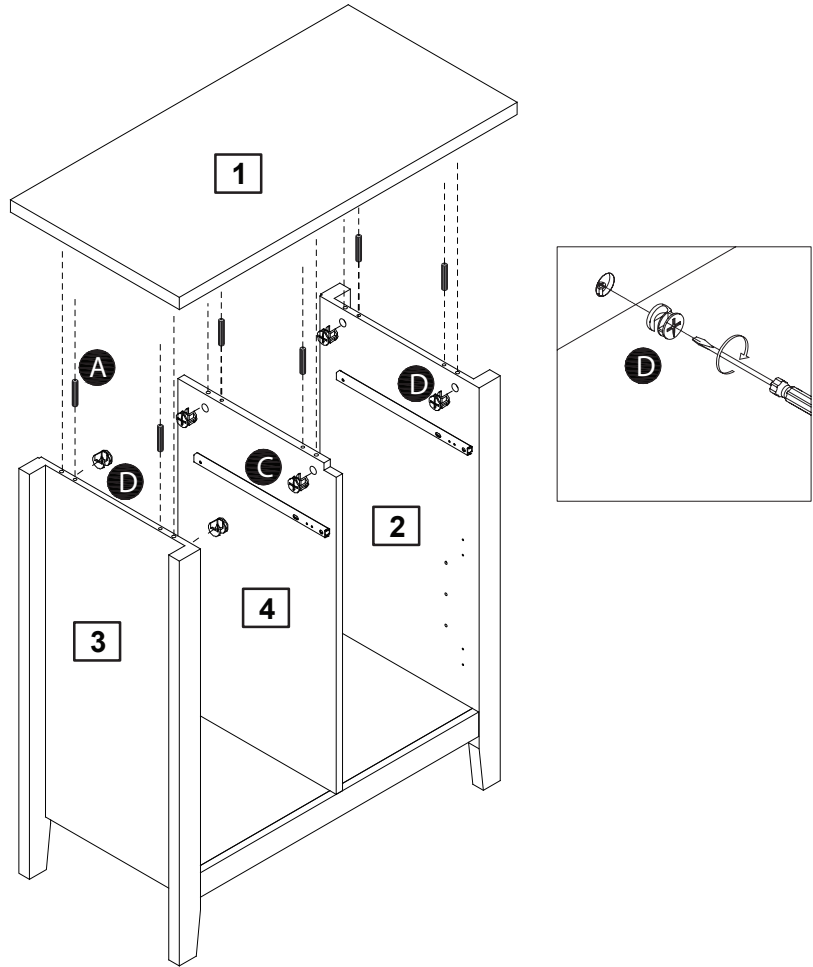
Insert wood dowels **A** into the top of side frames **2** and **3** and divider **4**.

Locate top **1** into position.

Insert small locking nuts **D** into side panels **2** and **3**.

Insert large locking nuts **C** into divider **4**.

Turn locking nuts clockwise to secure.

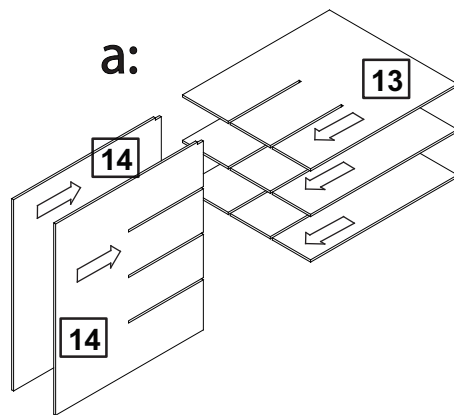


## Step 6

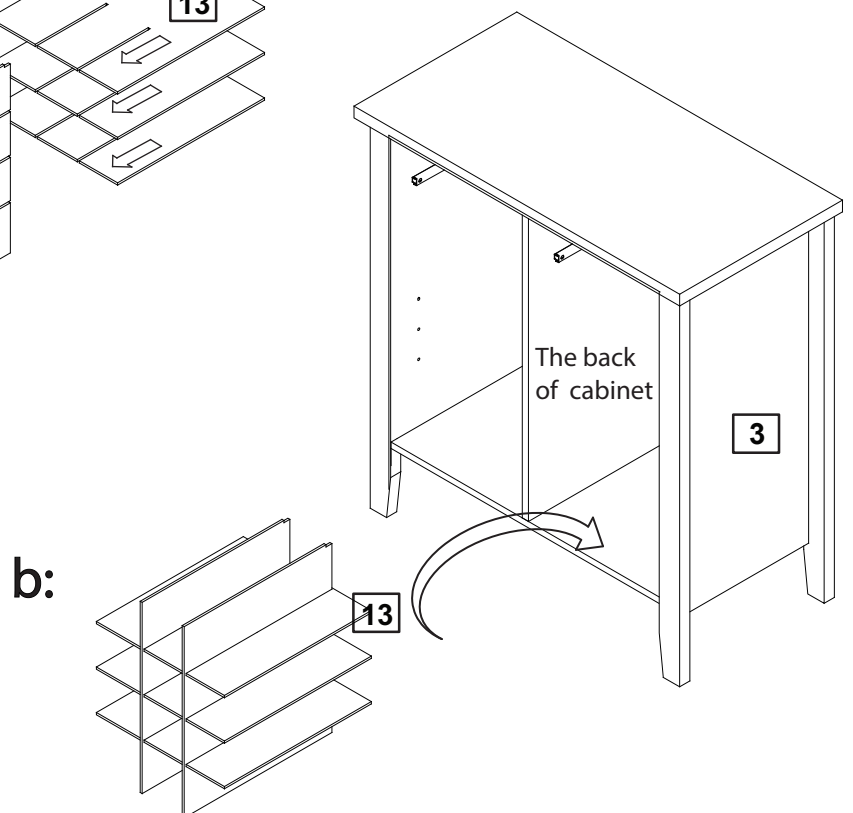
### Assembling wine rack

With help, stand the unit back upright.

**a:** With help, slot the vertical wine rack panels **13** together with the horizontal wine rack panels **14** as shown.



**b:** Carefully locate the assembled wine rack into the main cabinet from the back as shown.



# Assembly Instructions

## Step 7

### Assembling back panel

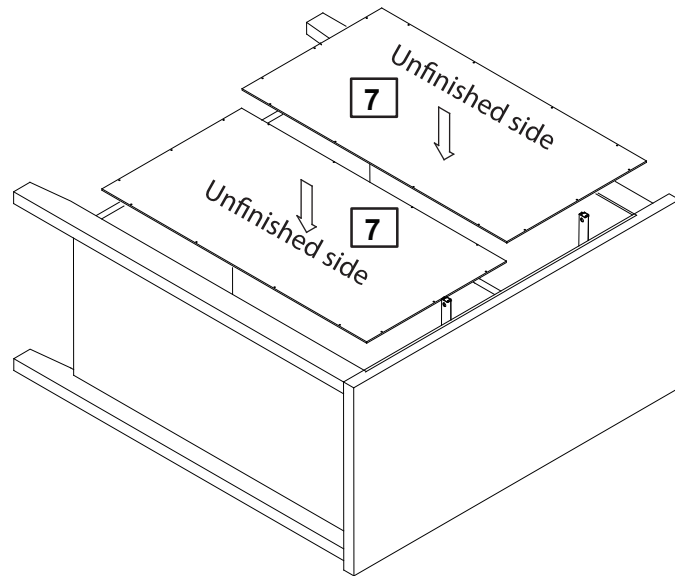
With help, carefully lay the unit face down onto the floor.

**a:** Locate back panels **7** into position.

**Note:** Ensure the unfinished side of back panels **7** are facing out as shown.

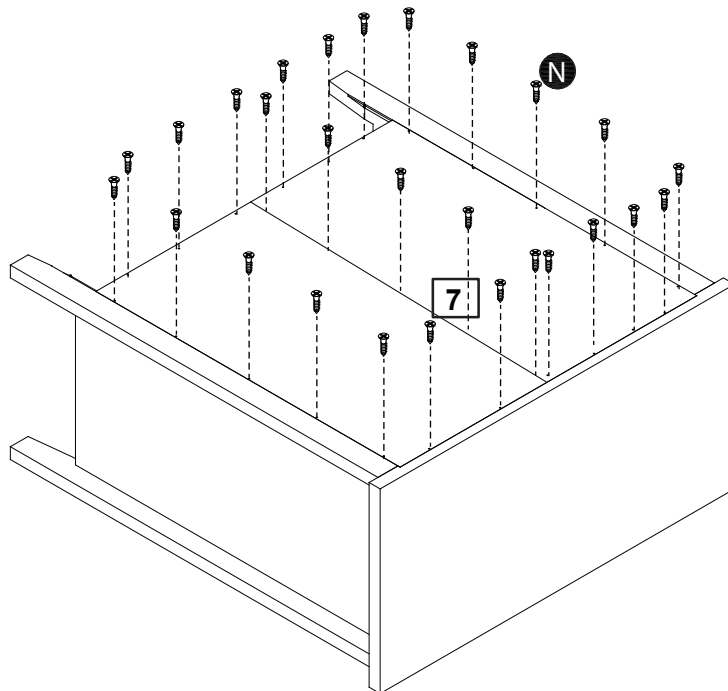
**Note:** Ensure the holes in back panels **7** are around the outside as shown.

**a:**



**b:**

**b:** Secure back panels **7** using screws **N**.



# Assembly Instructions

## Step 8

### Assembling Drawer

**a:** Locate drawer sides **9** and **10** onto drawer front **12**.

**Note:** Ensure the grooves on all panels align at the bottom.

Insert small locking nuts **D** into the drawer sides as shown.

Turn locking nuts clockwise to secure.

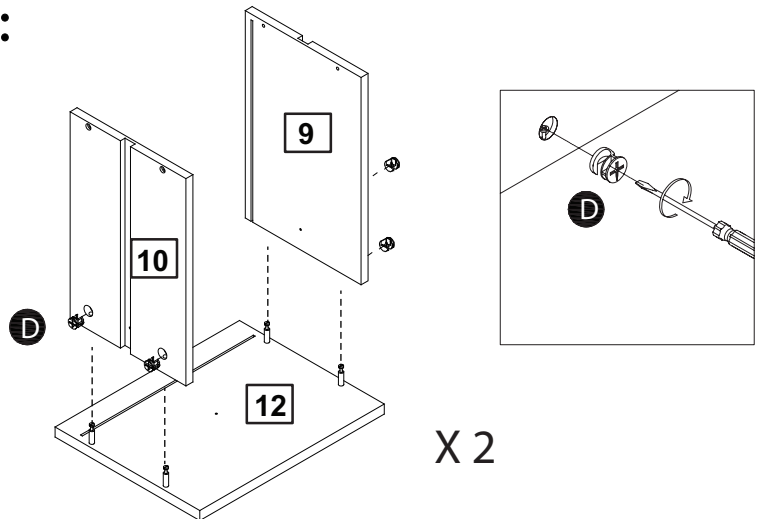
**b:** Slide drawer base **11** into the grooves.

**c:** Locate drawer back **8** in between drawer side panels **9** and **10** and secure using screws **G**.

**d:** Fit handle **H** to drawer front **12** using screw **J**.

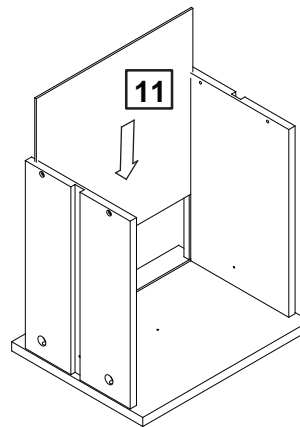
Repeat for both drawers.

**a:**



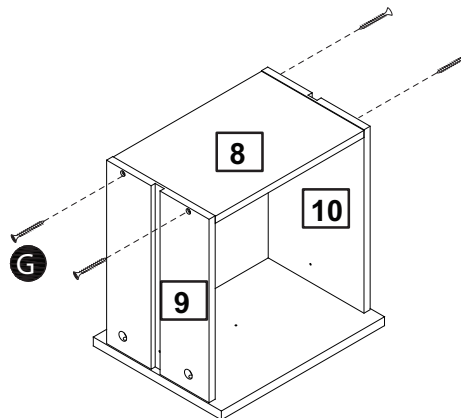
**b:**

X 2



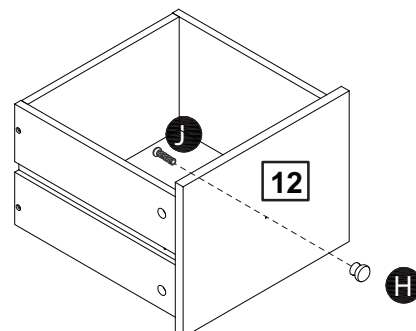
**c:**

X 2



**d:**

X 2



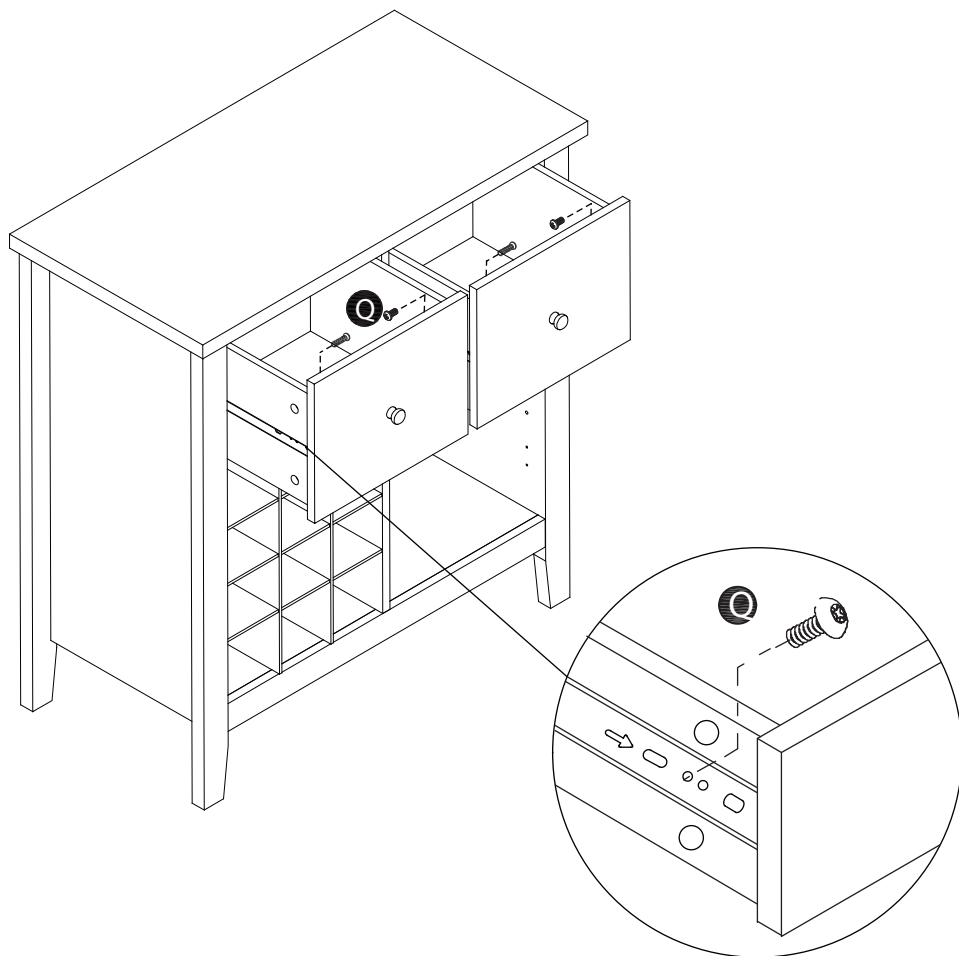
# Assembly Instructions

## Step 9

### Locating drawers

Extend the drawer runners fully out.

Locate the drawers onto the runners and secure using screws **Q** as shown.



# Assembly Instructions

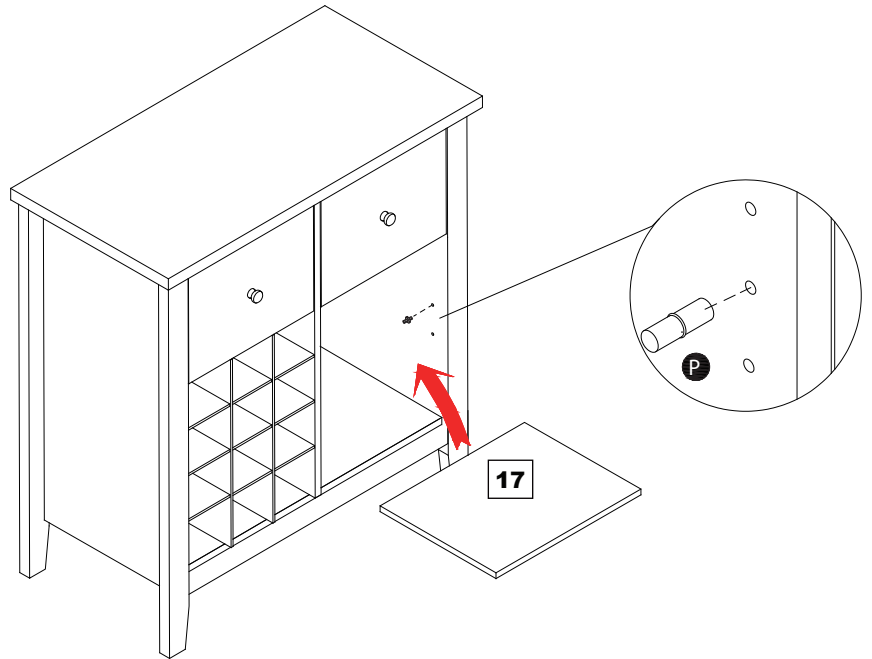
## Step 10

### Assembling shelf and door

a: Insert shelf support pins **P** at the desired height.

Carefully locate shelf **17** onto the support pins.

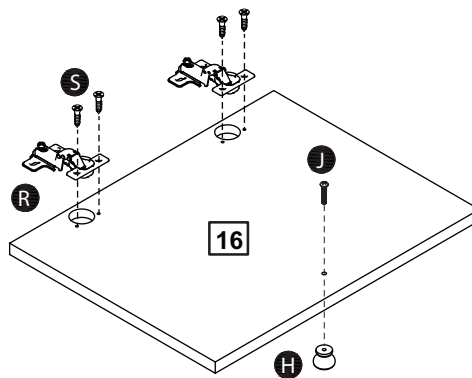
a:



b: Assemble hinges **R** to door **16** using screws **S**.

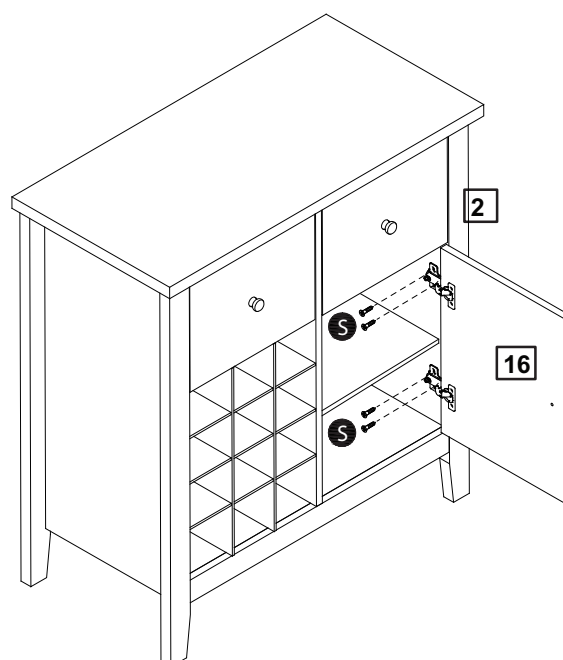
Fit handle **H** to door **16** using screw **J**.

b:



c: Assemble door **16** to left side panel **2** using screws **S**.

c:



# Assembly Instructions

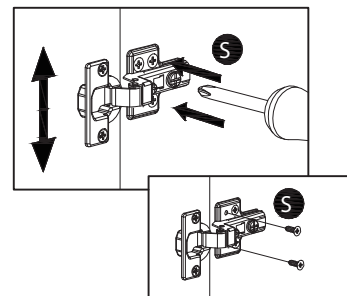
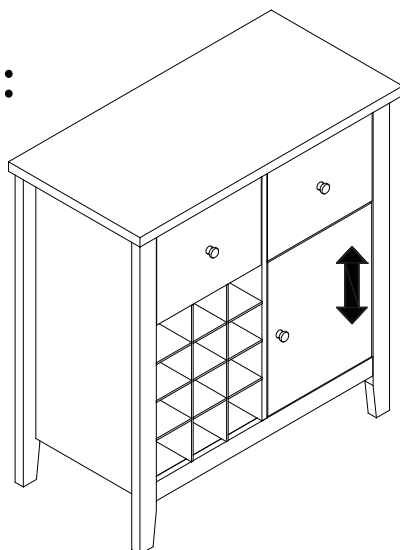
## Step 11

### Hinge adjustment

**a:** To move doors up or down, loosen screws **S** as shown and move doors to suit.

Once doors are aligned, insert 2 more screws **S** into the hinge plates and fully tighten all screws.

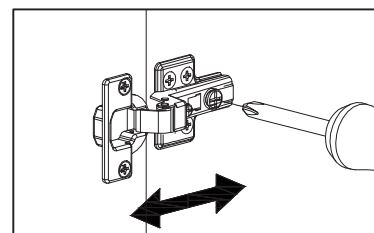
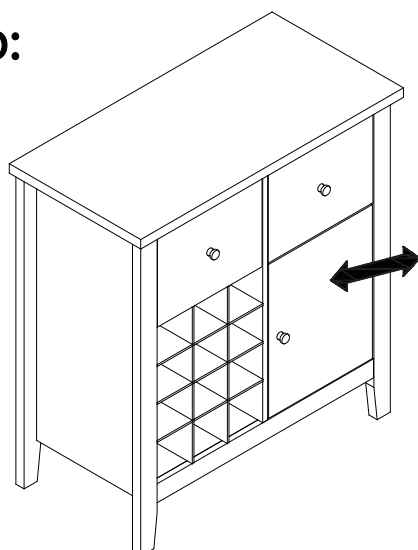
**a:**



**b:** To move doors in or out, loosen screw shown and move doors to suit.

Re-tighten screws.

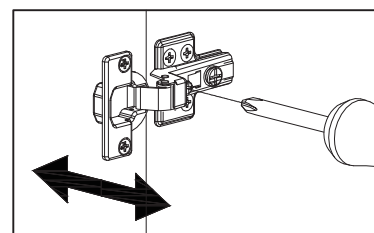
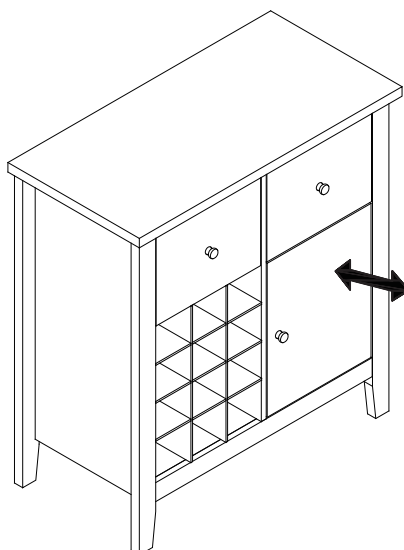
**b:**



**c:** To move doors left or right, loosen screw shown and move doors to suit.

Re-tighten screws.

**c:**



# Assembly Instructions

## Step 12

### Fixing to the wall

It is recommended that the sideboard is fixed to the wall to ensure stability.


Assemble wall straps **T** to the back of the unit using screws **U** and washer **V**.

With help, move the unit to the desired location.

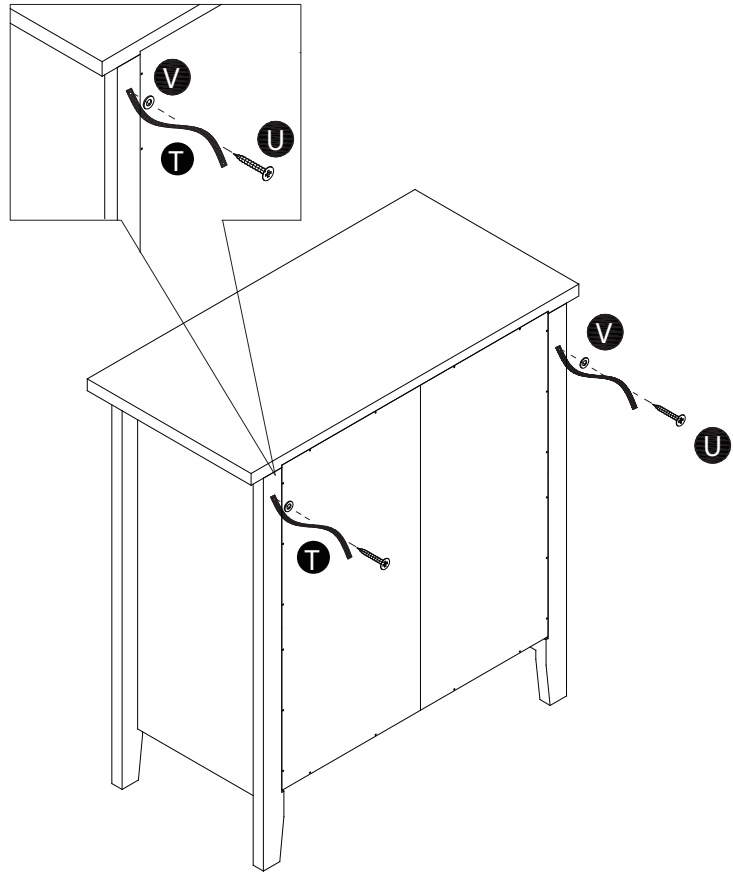
Mark the fixing hole locations on the wall and remove the unit.

Drill the wall and fit suitable plugs for your wall type.

**Note:** Wall plugs are not supplied.

 **Warning:** Before drilling. Check the wall for hidden pipes or cables. Re-position the unit and secure the wall straps to the wall.

**Note:** Screws are not supplied.



**Assembly is complete.**

If you need help or have damaged or missing parts, call the Customer Helpline: 0345 6400 800  
Home Retail Group. 489-499 Avebury Boulevard. Saxon Gate West. Central Milton Keynes. MK9 2NW