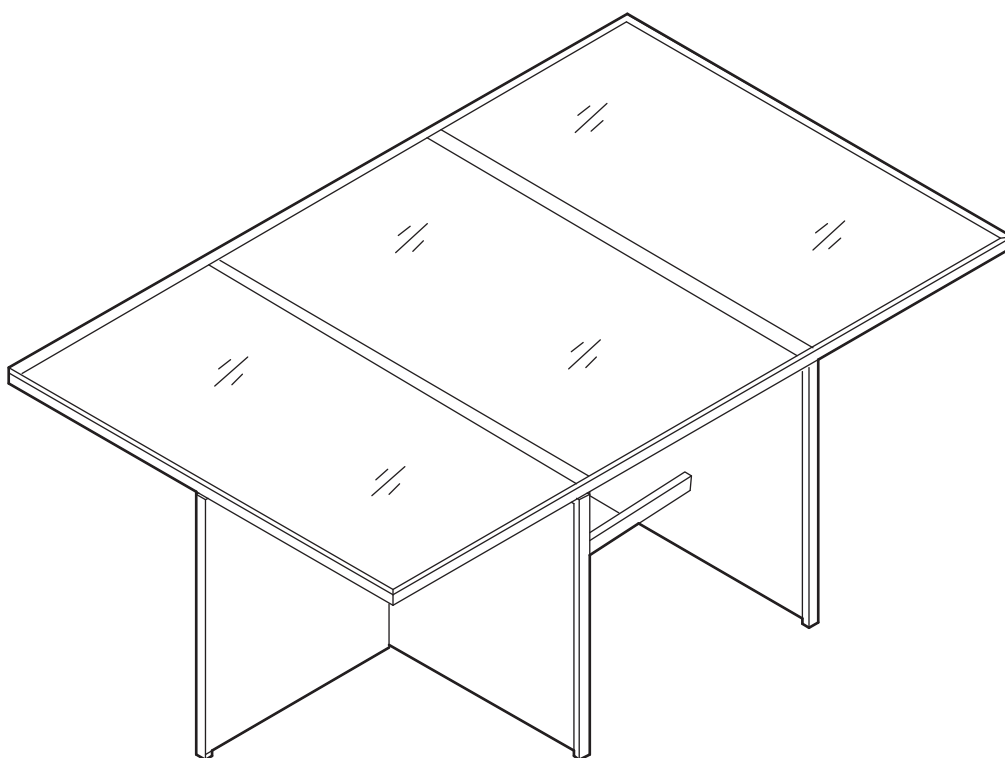


# Rattan Cube Dining Set - Table

Assembly Instructions - Please keep for future reference

654/6568



## Dimensions

Width - 170cm

Depth - 110 cm

Height - 72cm

**Important** Please read these instructions fully before starting assembly

If you need help or have damaged or missing parts, call the Customer Helpline: 0345 640 0800

For further assistance please visit <http://www.argos-support.co.uk/>

Retailer: Argos

Address: 489-499 Avebury Boulevard Saxon Gate West, Central Milton Keynes Bucks, MK9, 2NW



# Safety and Care Advice

**Important** Please read these instructions fully before starting assembly

- Read these instructions carefully and familiarise yourself with the procedure before assembling the unit.
- Check that you have all the component parts following the list on the back cover and familiarise yourself with each part before proceeding.
- Take all the fittings out of the plastic bag and separate them into their groups.
- Ensure you have enough space to lay out all the parts before assembly.
- To avoid scratching it is recommended that you assemble the unit on a soft level surface.
- Keep children and animals away from the work area, small parts could choke if swallowed.
- This product is manufactured from toughened safety glass. In the unlikely event that the glass fails it will break into a large number of small fragments that may be spread over a wide area.
- This is a feature of toughened glass, designed to remove the risk of injury from glass breaking into large shards.
- If the glass is chipped or broken, replace with the same type of glass. Consult the furniture retailer or agent with regard to obtaining a manufacturing specification of the shape for replacement glass quoting the model numbers, and batch number or date of manufacture of this item.
- It would be useful to ask someone to help you during assembly.
- To use a parasol with this table, please remove the plastic centre plug and put the parasol pole through the table top and centre connector ring, a weighted parasol base must be used.
- Dispose of all packing carefully and responsibly.
- Do not place very hot or cold items against or in close proximity to glass surface unless an adequately thick insulating material is used to prevent such items from coming into contact with the glass.
- Do not use the glass as a chopping surface. Do not strike the glass with hard or pointed items.
- Do not sit or stand on the glass surface, as this would be hazardous.
- Do not over-tighten as this may damage the glass.
- **Warning:** The unit weights approximately 47 kgs.

**Please lift with care.**

## Care and maintenance

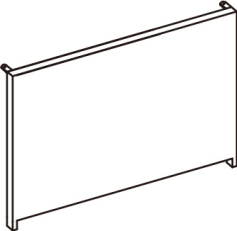
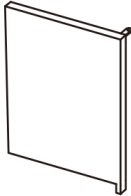

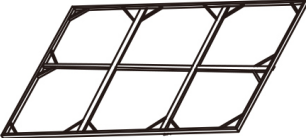

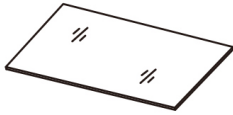


- To avoid any risk of suffocation to animals or children dispose of the plastic bags immediately.
- As with all surfaces clean with a damp cloth and mild detergent, rinse thoroughly and dry the frame completely.
- Do not use washing powders or any other substances containing abrasives since these substances scratch glass.
- In order to prolong the life and beauty of your table, we recommend the use of furniture covers and store in a dry and secure area when not in use.
- When moving the table, remove the parasol and lift the table, do not drag.
- From time to time please ensure there are no loose screws on the product.

# Components-Parts&Fittings

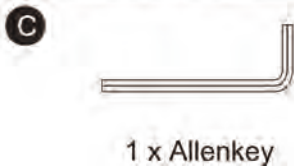
If you have damaged or missing components, call the Customer Helpline: 0345 640 08 00  
 For further assistance please visit <http://www.argos-support.co.uk/>

Please check you have all the parts & fittings listed below

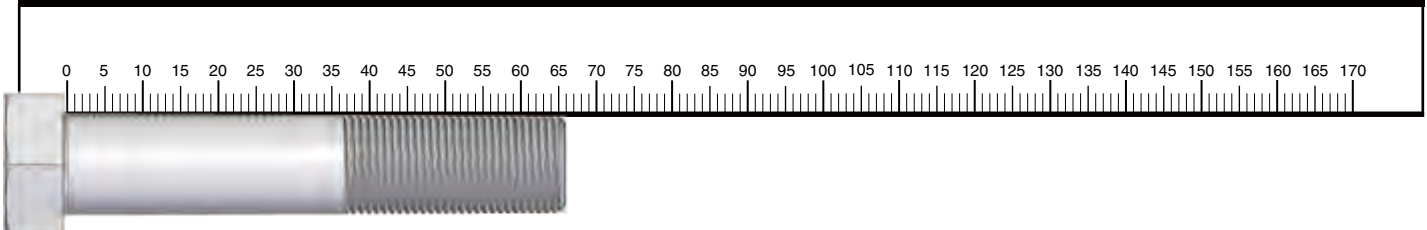
Note: The quantities below are the correct amount to complete the assembly. In some cases more fittings may be supplied than are required.

<p>1</p>  <p>2 X Long Frame</p>	<p>2</p>  <p>2 X Short Frame</p>	<p>3</p>  <p>1 x Bar</p>
<p>4</p>  <p>1 x Table Top Frame</p>	<p>5</p>  <p>2 X Small Glass</p>	<p>6</p>  <p>1 X Big Glass</p>
<p>A</p>  <p>M6x40</p> <p>6 x screw &amp; washer</p>	<p>B</p>  <p>M6x20</p> <p>6 x screw &amp; washer</p>	

## Tools required



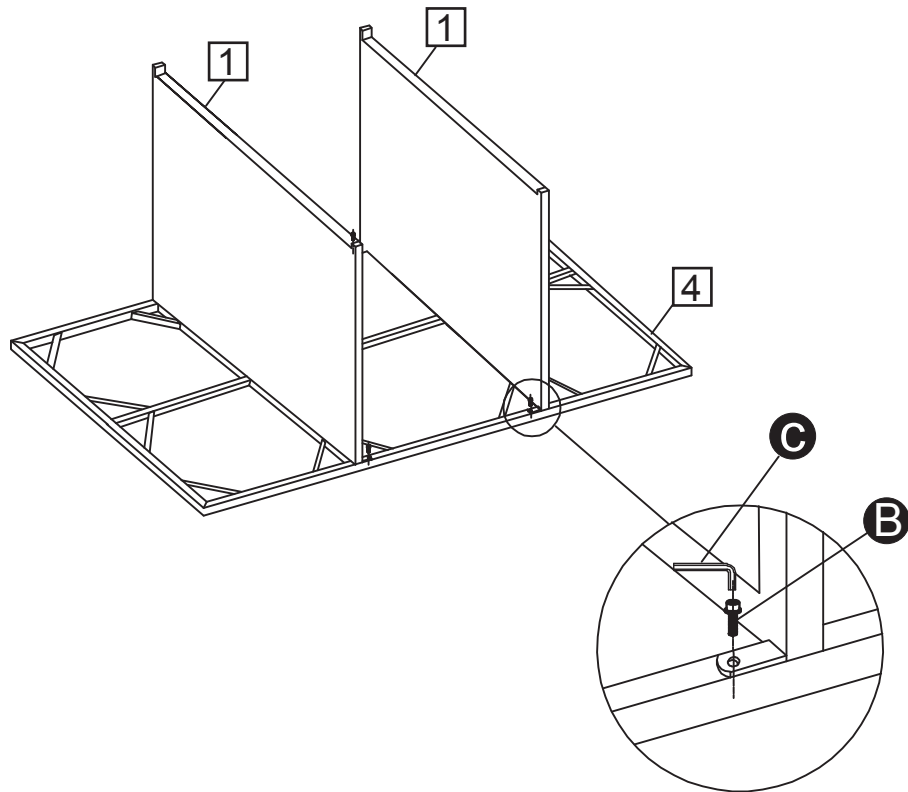
Ruler - Use this ruler to help correctly identify the screws



# Assembly Instructions

## Step 1

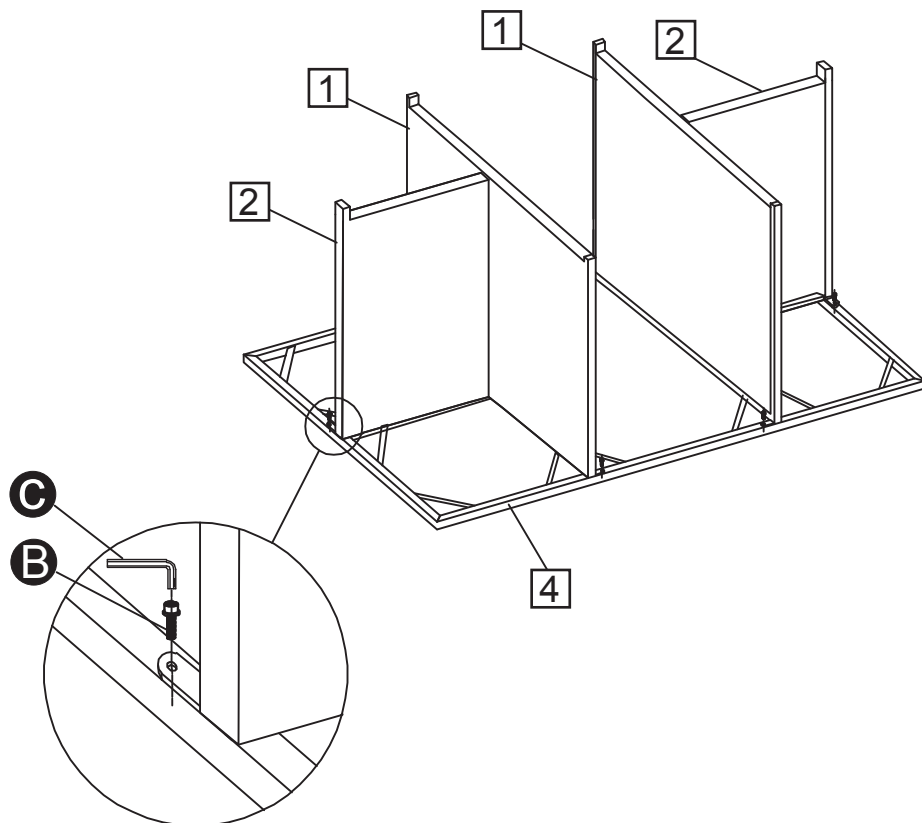
Fit the long frame **1** onto the table top frame **4** by using screws and washers **B**.



**Important:**  
We suggest to complete this product assembly by two person.

## Step 2

Fit the short frame **2** onto the table top frame **4** by using screws and washers **B**.

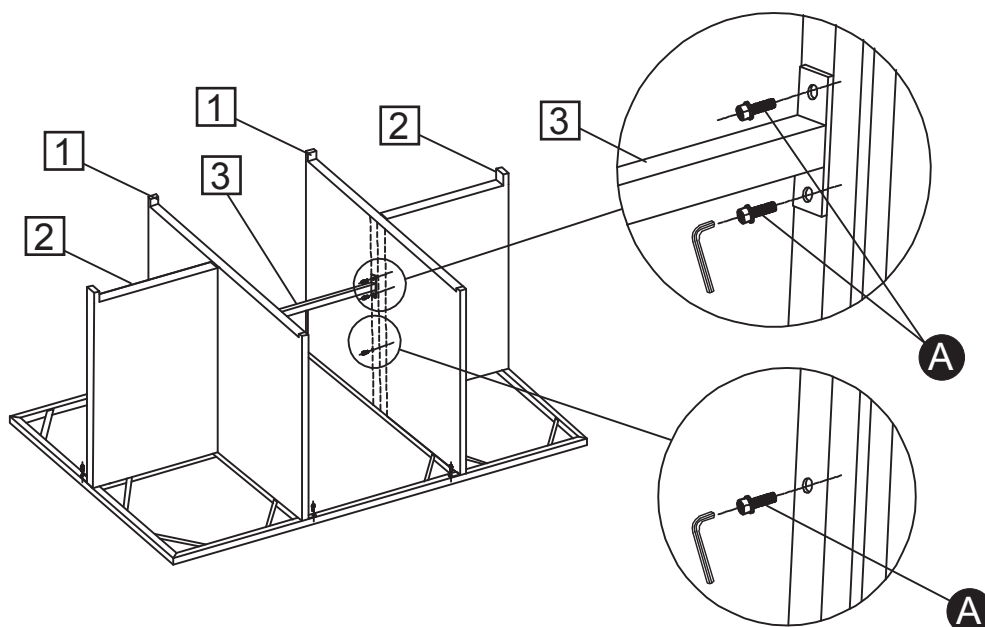


**Important:**  
Do not fully tighten all screws until assembly is complete.

# Assembly Instructions

## Step 3

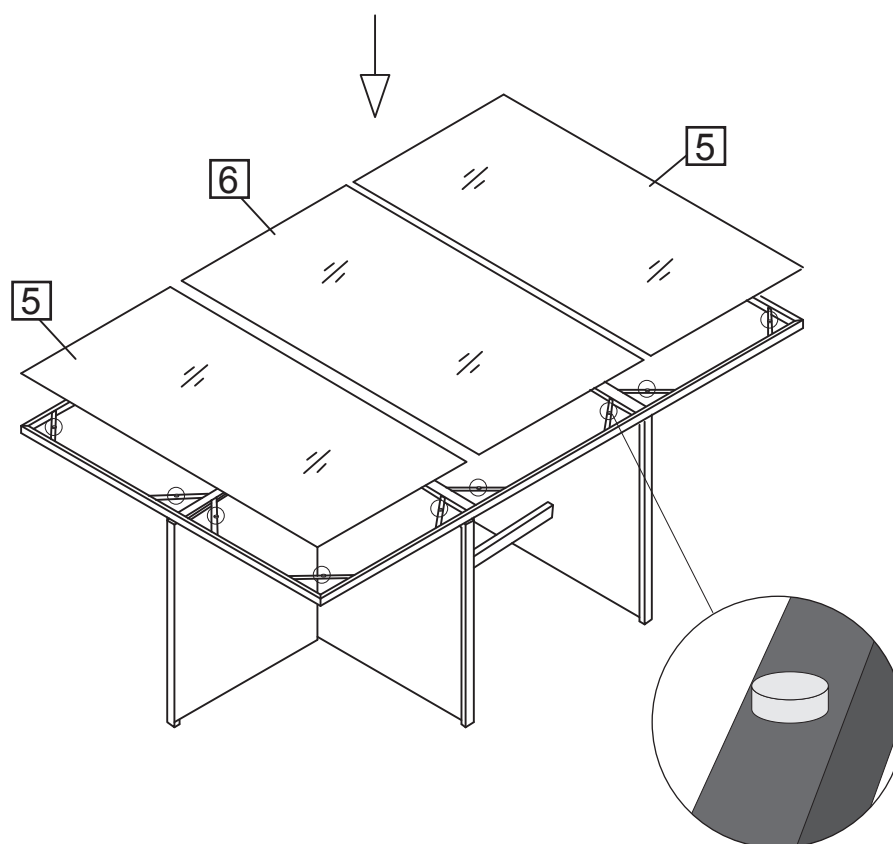
using washers and screws **A** to connect the frame **1**, **2**, then fit the bar **3** onto frame **1**, **2** by using screws and washers **A**. Then tighten all the screws.



## Step 4

Turn the table frame to its right position, then carefully place the glass top **5**, **6** onto the unit.

Carefully place the table in the desired location.



**Assembly is complete**



**Warning:** Don't detach the plastic support from the table frame and keep away from baby and children! It is for glass support!