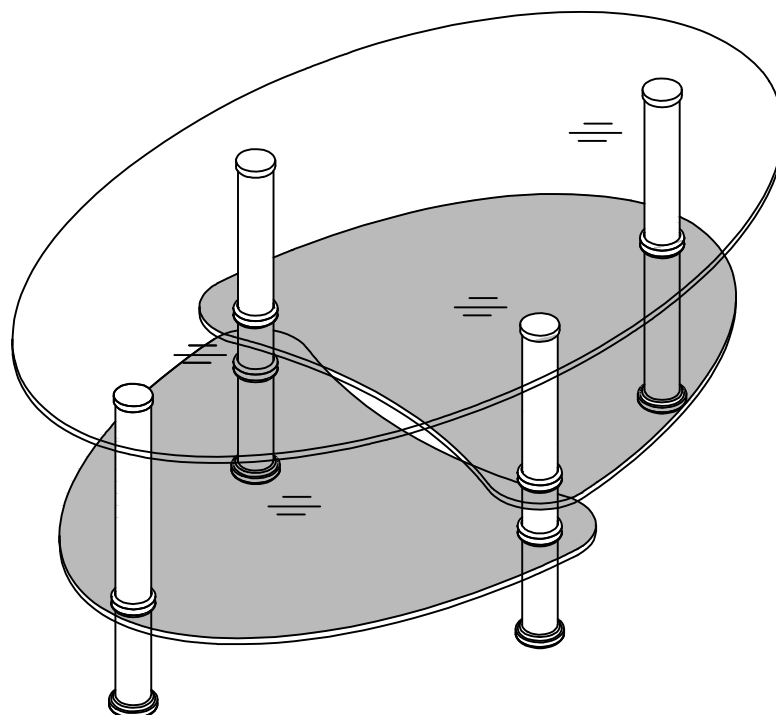


Glass Coffee Table

Assembly Instructions - Please keep for future reference

459/1591



Dimensions

Width- 100 cm
Length - 60 cm
Height - 42 cm

Important - Please read these instructions fully before starting assembly

If you need help or have damaged or missing parts, call the **Customer Helpline: 0345 6400 800**



Safety and Care Advice

Important – Please read these instructions fully before starting assembly

- Check you have all the components and tools listed on pages 2 and 3.
- Remove all fittings from the plastic bags and separate them into their groups.
- Keep children and animals away from the work area) small parts could choke if swallowed.
- Make sure you have enough space to layout the parts before starting.
- Do not stand or put excessive weight on the product) this could cause damage.
- Assemble the item as close to its final position (in the same room) as possible.
- Parts of the assembly will be easier with 2 people.
- Dispose of all packaging carefully and responsibly.
- Place the product on flat and steady surface during use.
- Assemble on a soft level surface to avoid damaging the unit or your floor.
- Keep these instructions for further use.
- To ensure an easier assembly) we strongly advise that all fittings are only finger tightened during initial assembly. Only upon completion of the assembly should all fixing points be fully tightened.

Glass safety

- This product complies with BS EN 12521:2009
- Imported by:
Argos Ltd
489-499 Avebury Boulevard
Central Milton Keynes
MK9 2NW
- CAT No.: 459/1591
- P/O No:
- If the glass is chipped or broken) stop using the product and consult the Manufacturer or Supplier.

Warnings

- a) Do not place very hot or very cold items on the glass surface(s) unless adequately thick table mats are used to prevent such items from coming into contact with the glass..
- b) Do not sit or stand upon the glass surface(s).
- c) Do not use the glass as a chopping surface. Do not strike the glass with hard or pointed items.
- d) When cleaning glass panels use a damp cloth or leather with washing up liquid or soft soap if necessary) do not use washing powders or any other substance containing abrasives since these substances scratch glass.

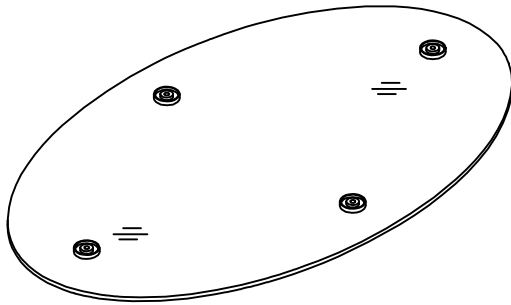
Care and maintenance

- Only clean using a damp cloth and mild detergent) do no use bleach or abrasive cleaners.
- From time to time check that there are no loose screws on this unit.
- This product should not be discarded with household waste. Take to your local authority waste disposal centre.

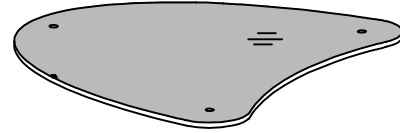
Components - Parts

If you have damaged or missing components, call the **Customer Helpline: 0345 6400 800**

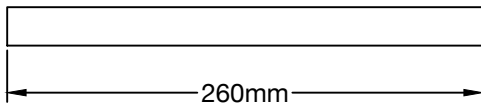
Please check you have all the parts listed below



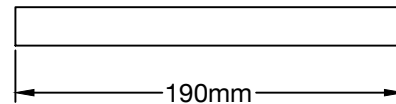
1 Glass Table Top (Clear) X 1 (100X60X0.8CM)



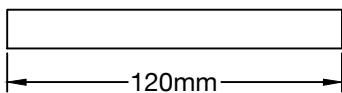
2 Glass Shelf (Black) X 2 (56X49.5X0.6CM)



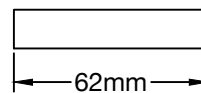
3 Long Leg Post X 1 (D38*260MM)



4 Leg Post X 4 (D38*190MM)



5 Leg Post X 3(D38*260MM)








6 Short Leg Post X 2(D38*190MM)

Components - Fittings

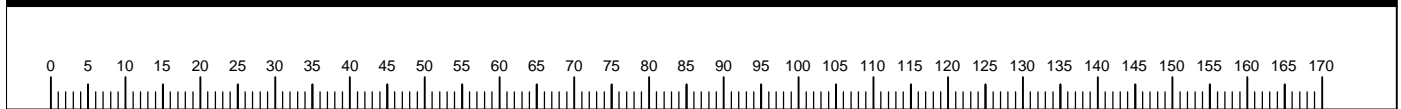
If you have damaged or missing components, call the **Customer Helpline: 0345 6400 800**

Please check you have all the fittings listed below

Note: The quantities below are the correct amount to complete the assembly. In some cases more fittings may be supplied than are required.

<p>A</p>  <p>M8*395mm Threaded rod x 4</p>	<p>B</p>  <p>D38mm plastic washer X 12</p>	<p>C</p>  <p>D50mm foot X 4</p>
<p>D</p>  <p>M8 Nuts x 4</p>	<p>E</p>  <p>spanner x 1</p>	


Ruler - Use this ruler to help correctly identify the screws



Assembly Instructions

Step 1

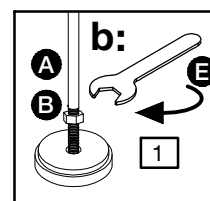
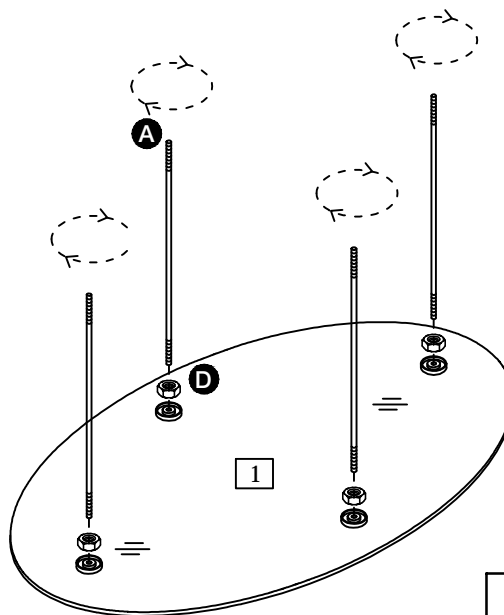
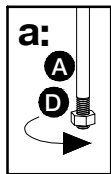
Attaching threaded rod

 **Warning:** With help, carefully place glass top **1** upside down onto a clean flat surface.

a: Screw nuts **D** onto the ends of threaded rods **A**.

b: Screw threaded rods **A** into the metal discs on the underside of glass top **1**.

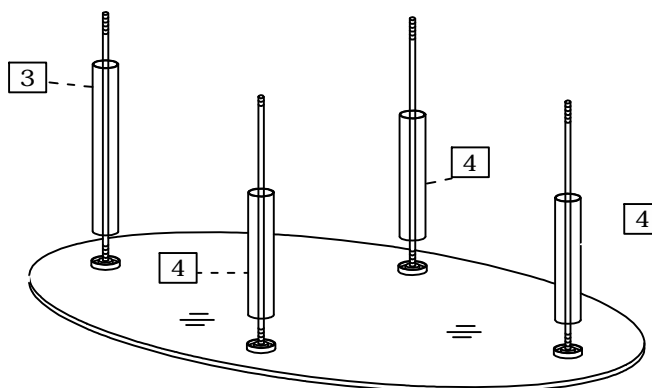
Use spanner **E** to fully tighten nuts **D** down onto the metal discs.



Step 2

Attaching leg post

Locate leg posts **3** and **4** over the threaded rods in the positions shown.



Assembly Instructions

Step 3

Assembling Glass Shelf

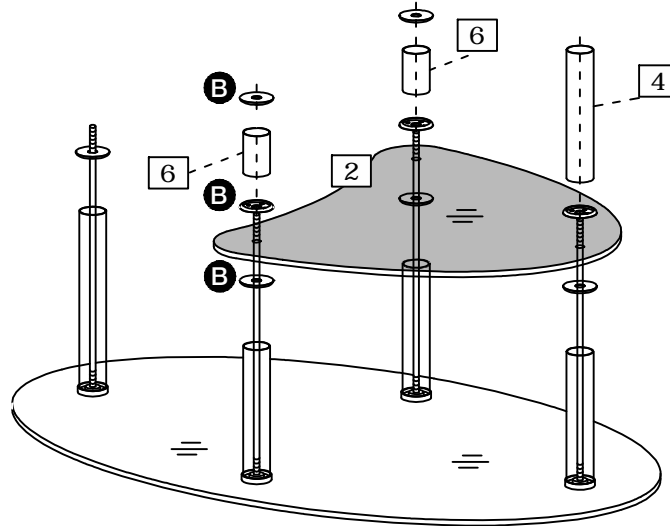
Place plastic washers **B** on the ends of all four leg posts.

Carefully locate glass shelf **2** into position.

Place plastic washers **B** onto the glass shelf.

Locate leg posts **4** and **6** into position as shown.

Place further plastic washers **B** onto short leg posts **6** as shown.



Step 4

Assembling Glass shelf

Locate second glass shelf **2** into position as shown.

Place plastic washers **B** onto the glass shelf.

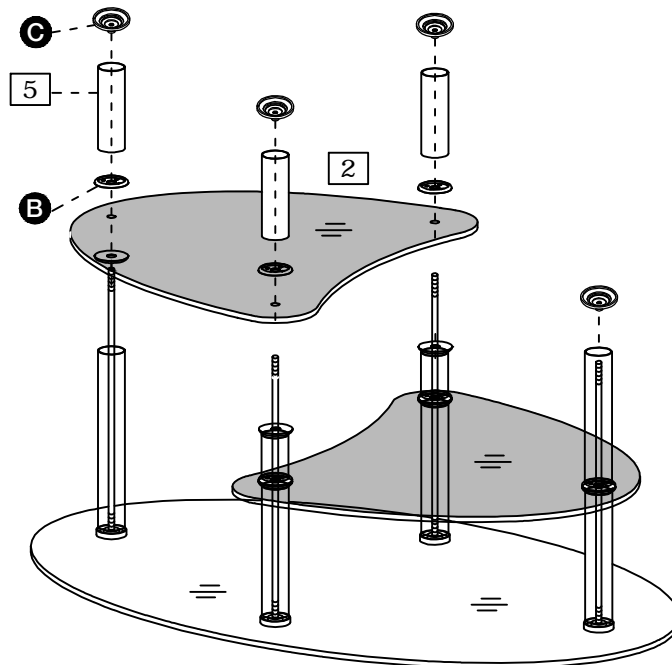
Locate leg posts **5** into position on the glass shelf.

Finally, screw feet **C** onto the ends of all four threaded rods and tighten.

Note: Do not overtighten.

With help, carefully turn the table over.

Assembly is complete.



If you need help or have damaged or missing parts, call the **Customer Helpline: 0345 6400 800**
Home Retail Group, 489-499 Avebury Boulevard, Saxon Gate West, Central Milton Keynes, MK9 2NW