

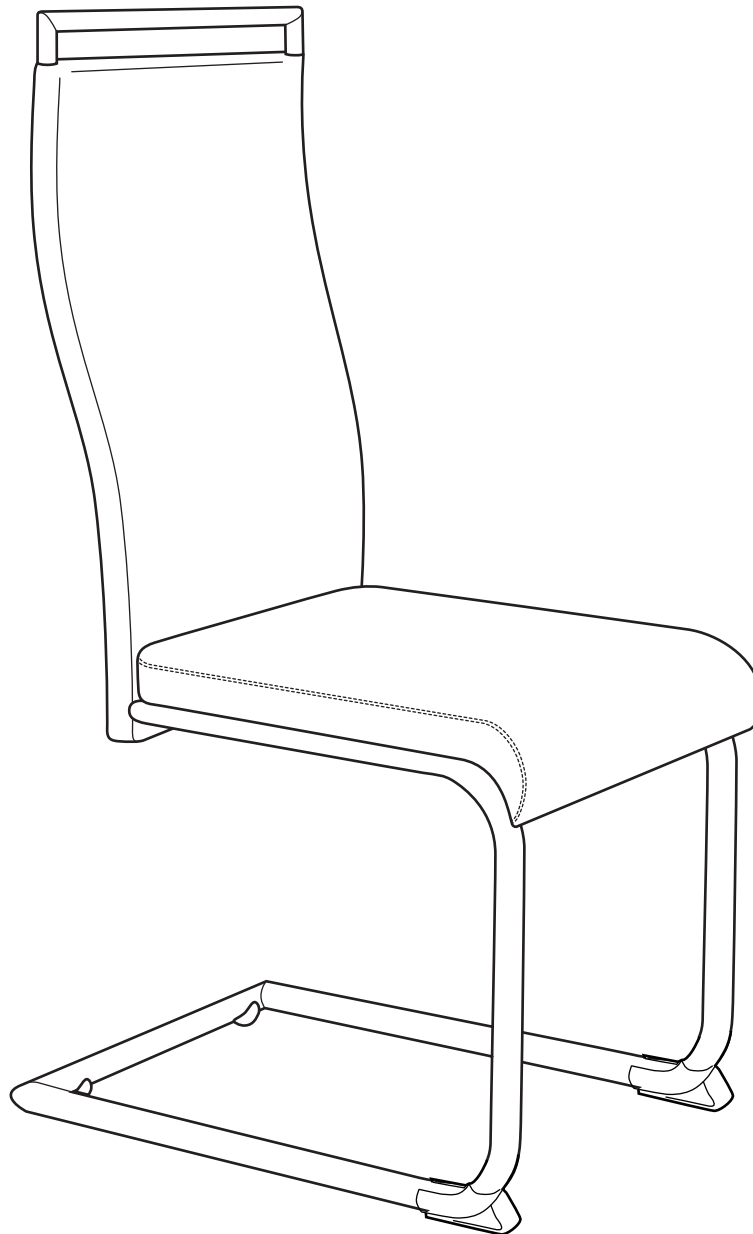
Hygena Cantilever Chair

Assembly Instructions - Please keep for future reference

459/1553

468/9348

hygena



Dimensions

Width - 43cm

Depth - 57.5cm

Height - 103.5cm

Important - Please read these instructions fully before starting assembly

If you need help or have damaged or missing parts, call the **Customer Helpline:**
Argos = 0345 640 0800



Safety and Care Advice

Important - Please read these instructions fully before starting assembly

- Check you have all the components and tools listed on the following pages.
- Remove all fittings from the plastic bags and separate them into their groups.
- Keep children and animals away from the work area, small parts could choke if swallowed.
- Make sure you have enough space to layout the parts before starting.

- During assembly do not stand or put weight on the product, this could cause damage.
- Assemble the item as close to its final position (in the same room) as possible.
- Assemble on a soft level surface to avoid damaging the unit or your floor.
- Parts of the assembly will be easier with 2 people.



• We do not recommend the use of power drill/drivers **for inserting screws**, as this could damage the unit. Only use hand screwdrivers.

- Unit weight: 6.32 kgs.
- Maximum safe weight of user: 110kgs.

Care and maintenance

- Only clean using a damp cloth and mild detergent, do not use bleach or abrasive cleaners.
- From time to time check that there are no loose screws on this unit.

- Do not stand on the chair.
- Do not use this chair as step ladder.
- This product should not be discarded with household

waste. Take to your local authority waste disposal centre.

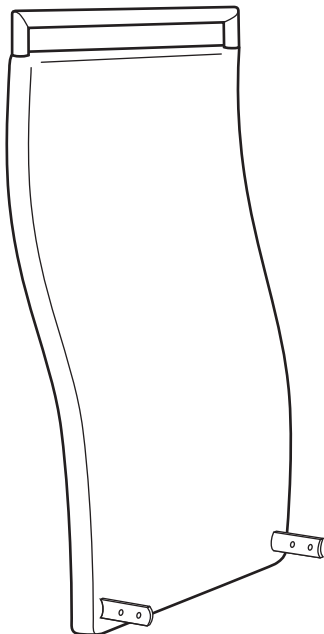
Handy Hints

- Assemble all parts and bolts loosely during assembly, only once the product is complete should you fully tighten the bolts.
- Regularly check and ensure that all bolts and fittings are tightend properly.

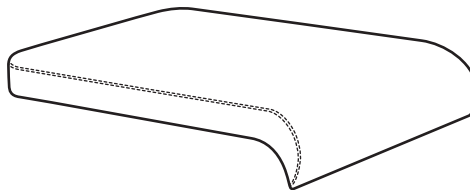
Components - Parts

If you have damaged or missing components, call the Customer Helpline: Argos = 0345 640 0800

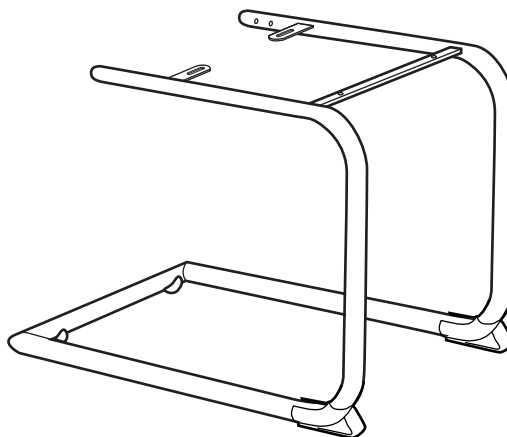
Please check you have all the parts listed below



1 Backrest
(37 x 68 x 10cm)



2 Seat pad
(43.5 x 43 x 9cm)

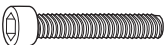
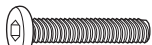
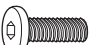



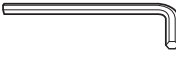


3 Leg frame
(41 x 55.5 x 41.5cm)

Components - Fittings

Please check you have all the fittings listed below

Note: The quantities below are the correct amount to complete the assembly. In some cases more fittings may be supplied than are required.

<p>A </p> <p>M8 x 20mm Bolt x 4</p>	<p>B </p> <p>M6 x 20mm Bolt x 2</p>	<p>C </p> <p>M6 x 12mm Bolt x 2</p>	<p>D </p> <p>Washer x 4</p>
<p>E </p> <p>Spring Washer x 4</p>	<p>F </p> <p>Big allen key x 1</p>	<p>G </p> <p>Small allen key x 1</p>	

Ruler - Use this ruler to help correctly identify the screws



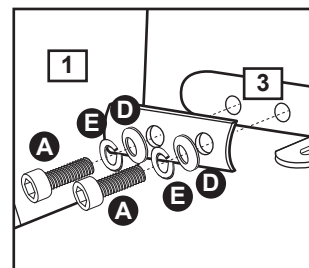
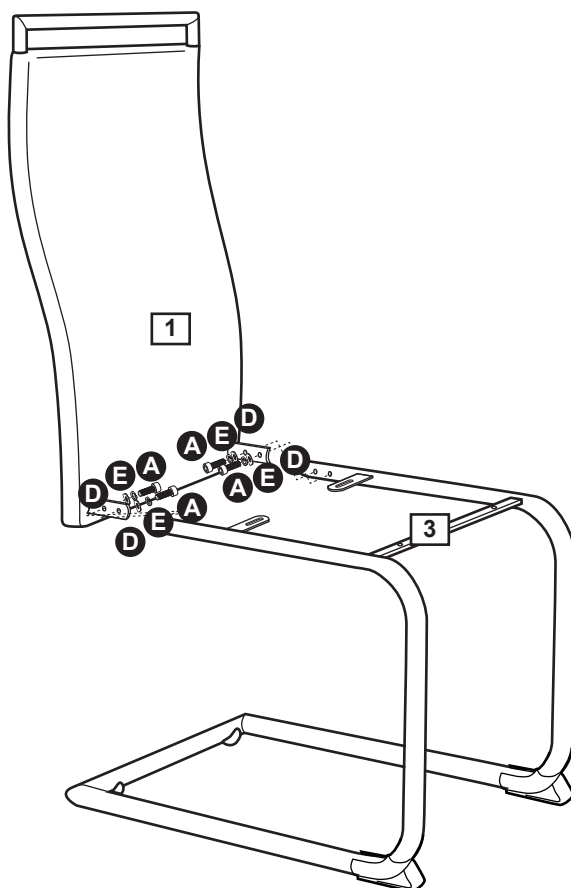
Assembly Instructions

Step 1

Attaching backrest

Position the backrest **1** on the seat frame **3** as shown and fix through holes using bolts **A**, spring washer **E** & washers **D**.

Tighten bolts using big allen key **F**.



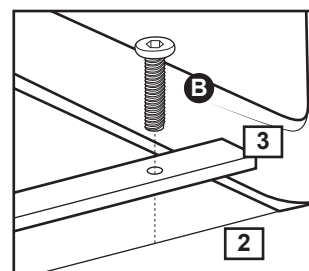
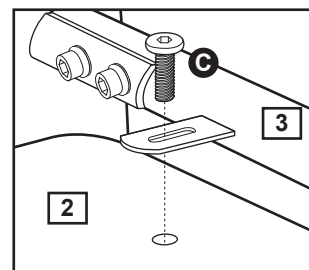
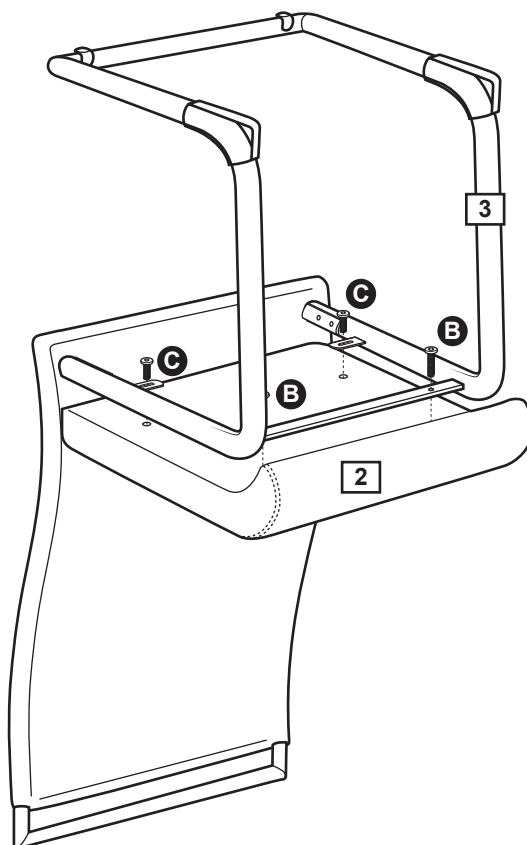
Step 2

Attaching the seat

Place the seat pad **2** face down on a flat and raised surface.

Position the assembled chair frame upside down on the seat pad as shown and fix through holes on the leg frame **3** and seat pad **2** using bolts **B** and **C**.

Tighten bolts using small allen key **G**.



Assembly is complete.

If you need help or have damaged or missing parts, call the **Customer Helpline:**
Argos = 0345 640 0800