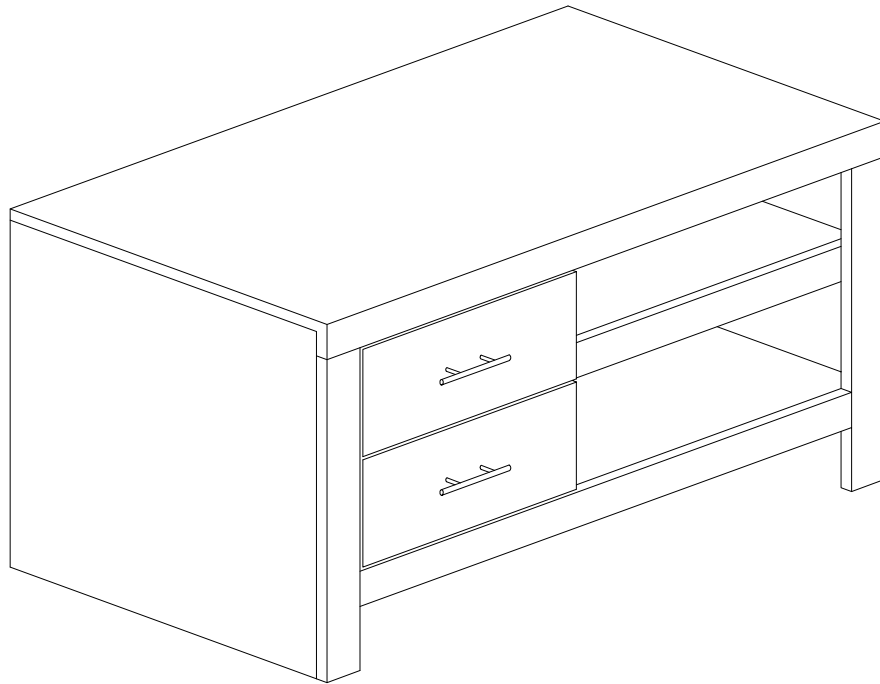


HYGENA TUNBRIDGE TV UNIT

Assembly Instruction - Please keep for future reference

459/0808

hygena



Dimensions

Width: 90cm
Depth: 40.4cm
Height: 48.7cm

Important – Please read these instructions fully before starting assembly

If you need help or have damaged or missing parts, call the Customer Helpline:
Argos = 0345 6400800



Safety and Care Advice

Important - Please read these instructions fully before starting assembly

- Check you have all the components and tools listed on page.
- Remove all fittings from the plastic bags and separate them into their groups.
- Keep children and animals away from the work area, small parts could choke if swallowed.
- Make sure you have enough space to lay out the parts before starting.

- During assembly do not stand or put weight on the product, this could cause damage.
- Assemble the item as close to its final position (in the same room) as possible.
- Assemble on a soft, level surface to avoid damaging the unit or your floor.
- Parts of the assembly will be easier with 2 people.



- To reduce the likelihood of damaging your product please ensure that your power drill is set on a low torque setting.

Glue safety - Take care when using glue, please follow the advice below

Skin Contact : Remove contamination by washing with soap and water. This procedure should also be followed prior to eating and drinking.

Eye Contact : Rinse immediately with clean water 15 minutes and seek medical advice.

If swallow : Seek medical advice immediately.

Care and maintenance

• Only clean using a damp cloth and mild detergent, do not use bleach or abrasive cleaners.

• From time to time check that there are no loose screws on this unit.

• This product should not be discarded with household waste. Take to your local authority waste disposal centre.

Handy Hints

• Assemble all parts and bolts loosely during assembly, only once the product complete should you fully tighten the bolts.

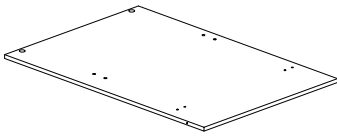
• Regularly check and ensure that all bolts and fittings are tightend properly.

Note : if required the next page can be cut out and used as reference throughout the assembly. Keep this page with these instructions for future reference.

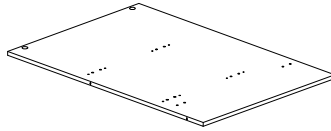
Components - Panels

If you need help or have damaged or missing parts, call the Customer Helpline:
Argos = 0345 6400800

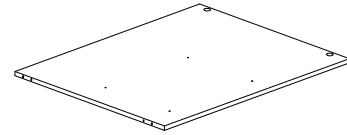
Please check you have all the panels listed below



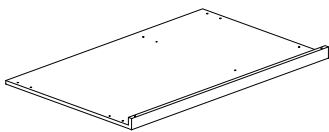
A RIGHT SIDE PANEL (x1)
(46.9(w)cm x 38.9(d) cm)



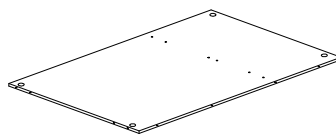
B LEFT SIDE PANEL (x1)
(46.9(w)cm x 38.9(d) cm)



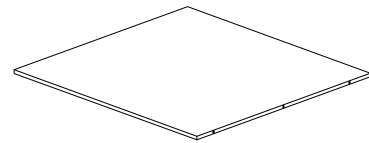
C CENTRE PANEL (x1)
(33.4(w)cm x 38.9(d) cm)



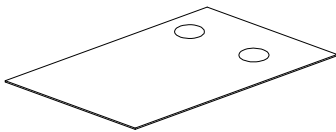
D TOP PANEL (x1)
(90(w)cm x 40.4(d) cm)



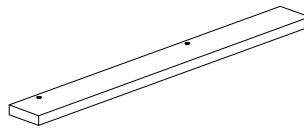
E BOTTOM PANEL (x1)
(86.9(w)cm x 38.9(d) cm)



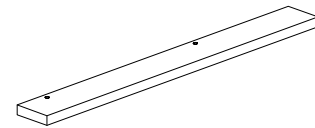
F ADJUSTABLE PANEL (x1)
(43.3(w)cm x 37.3(d) cm)



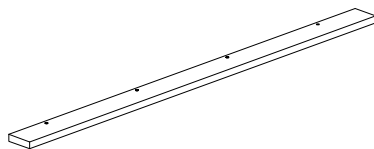
G BACK PANEL (x1)
(89.5(w)cm x 36.4(d) cm)



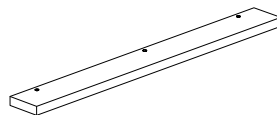
H RIGHT SIDE PROFILE (x1)
(43.9(w)cm x 4.8(d) cm)



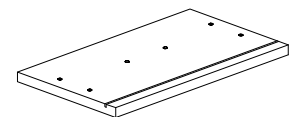
I LEFT SIDE PROFILE (x1)
(43.9(w)cm x 4.8(d) cm)



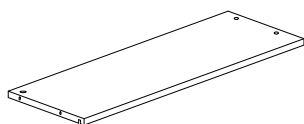
J BOTTOM PROFILE (x1)
(80.4(w)cm x 4.8(d) cm)



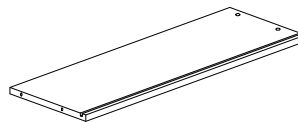
K ADJUSTABLE PANEL PROFILE (x1)
(43.3(w)cm x 4.8(d) cm)



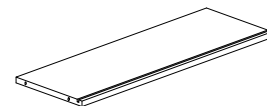
L DRAWER FRONT (x2)
(39.8(w)cm x 14.6(d) cm)



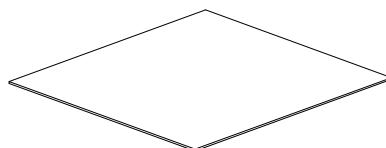
M DRAWER RIGHT PANEL (x2)
(32(w)cm x 11.8(d) cm)



N DRAWER LEFT PANEL (x2)
(32(w)cm x 11.8(d) cm)



O DRAWER BACK PANEL (x2)
(33.6(w)cm x 11.8(d) cm)


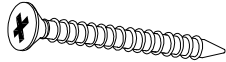


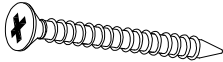
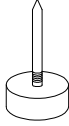


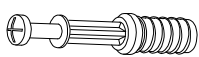
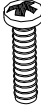
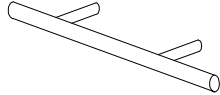

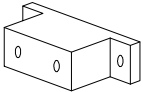
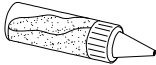
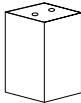
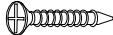

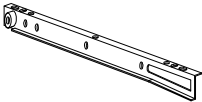
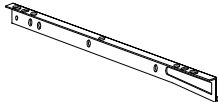
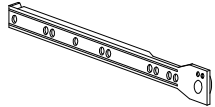
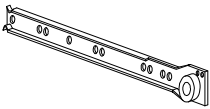


P DRAWER BOTTOM PANEL (x2)
(34.4(w)cm x 31.9(d) cm)

Components - Fittings

Please checke you have all the fittings listed below

Note : The quantities below are the correct amount to complete the assembly. In some cases more fittings may be supplied than are required.

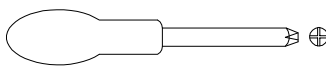
 <p>1 Screw M3.5 x 16mm x 8</p>	 <p>2 Screw M8 x 38mm x 2</p>	 <p>3 Dia.6 x 30mm - Dowel x 27</p>	 <p>4 Dia.5 x 16mm -shelf stub x4</p>
 <p>5 Screw M5 x 40mm x 2</p>	 <p>6 Leg Stud x 5</p>	 <p>7 Screw M3.5 x 12mm x 16</p>	 <p>8 Dia.15mm - Camlock x 12</p>
 <p>9 32mm - Quikfit x 16</p>	 <p>10 Screw M4 x 19mm x 4</p>	 <p>11 Handle x2</p>	 <p>12 Metal Nails x30</p>
 <p>13 Drawer Support x4</p>	 <p>14 Glue 10cc x1</p>	 <p>15 Leg 50 x 50 x 120mm x1</p>	 <p>16 Screw M3.5 x 25mm x8</p>
 <p>17 Dia.15mm - Camlock x 4</p>	 <p>18 Drawer Runner Right (300mm) x 2</p>	 <p>19 Drawer Runner Left (300mm) x 2</p>	 <p>20 Drawer Runner Left - Track (300mm) x 2</p>
 <p>21 Drawer Runner Right - Track (300mm) x 2</p>			

Components - Fittings

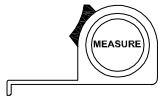
Please check you have all the fittings listed below

Note : The quantities below are the correct amount to complete the assembly. In some cases more fittings may be supplied than are required.

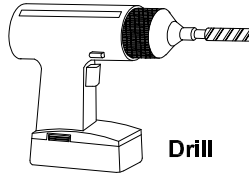
Tools required



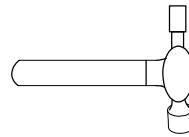
⊕ Phillips screwdriver
(medium & large)



Ruler / tape
measure

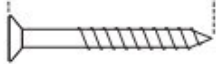


Drill



Small hammer

Ruler - Use this ruler to help correctly identify the screws

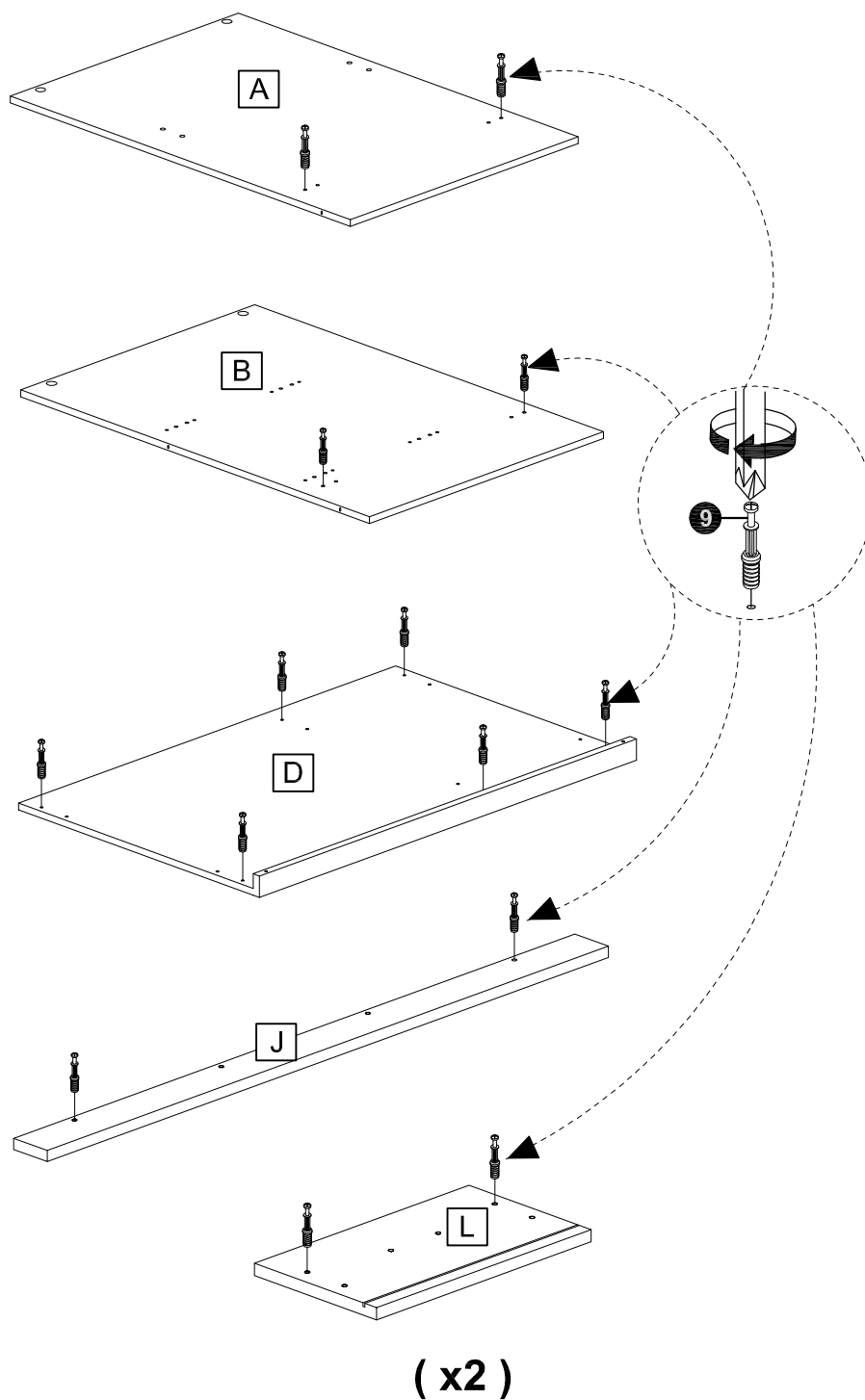


The screws length is measured from the head to the point (30mm screw shown).

Assembly Instructions

Step 1

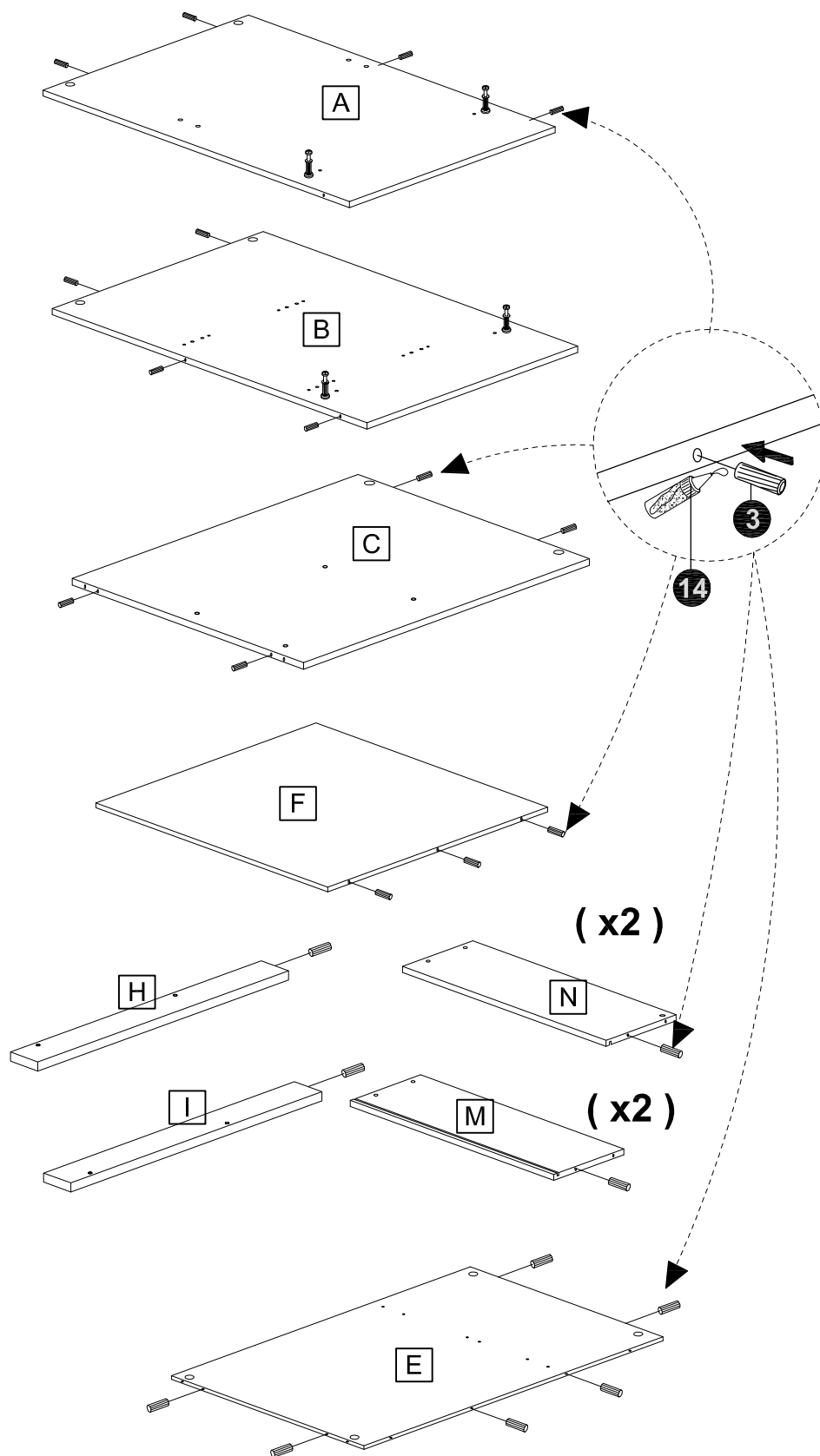
Screws 16 x quickfit **9** into panel **A** x 1, **B** x 1, **D** x 1, **J** x 1, **L** x 2 as shown. Tighten until shoulder is flush with panel.



Assembly Instructions

Step 2

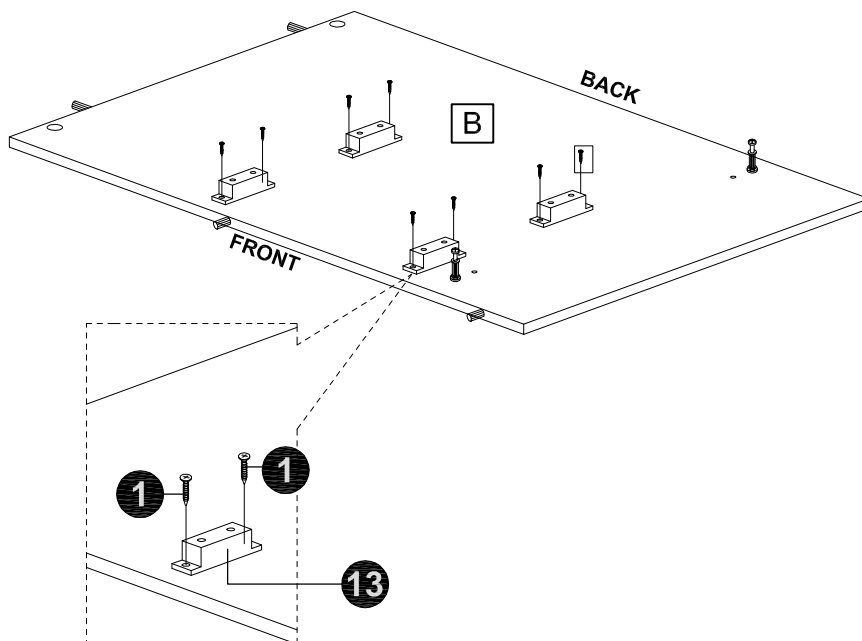
Apply a small amount of glue **14** at the end of the dowel **3** before inserting **27 x Dowel 3** into panel **A** x 1, **B** x 1, **C** x 1, **F** x 1, **H** x 1, **I** x 1, **E** x 1, **M** x 2, **N** x 2 as shown.



Assembly Instructions

Step 3

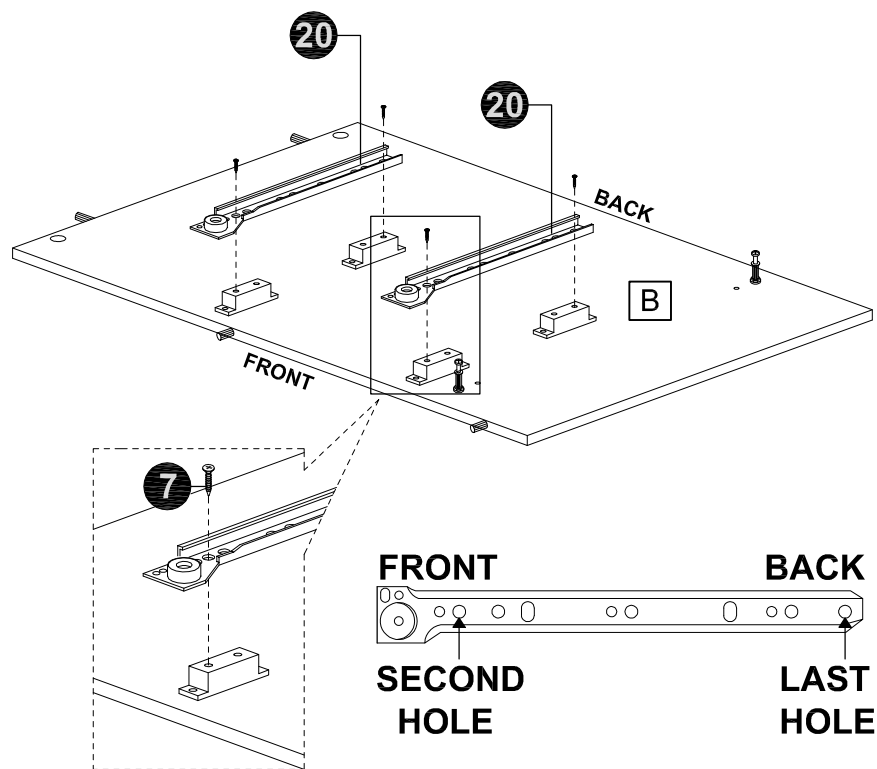
Install Drawer Support **13** x4 using screw **M3.5 x 16** **1** x8 to panel **B**.



Step 4

Install Drawer Slide Left -Track **20** x 2 using screw **M3.5 x 12** **7** x 4 to panel **B**.

Please fix at second hole and last holes.



Assembly Instructions

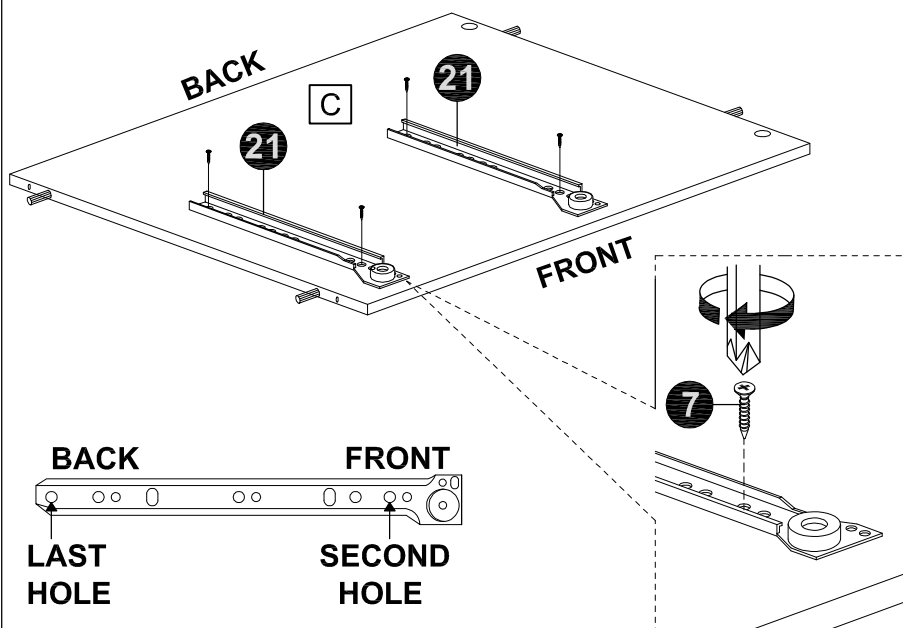
Step 5

Install Drawer Slide Right -Track

21 x 2 using screw M3.5 x 12

7 x 4 to panel C.

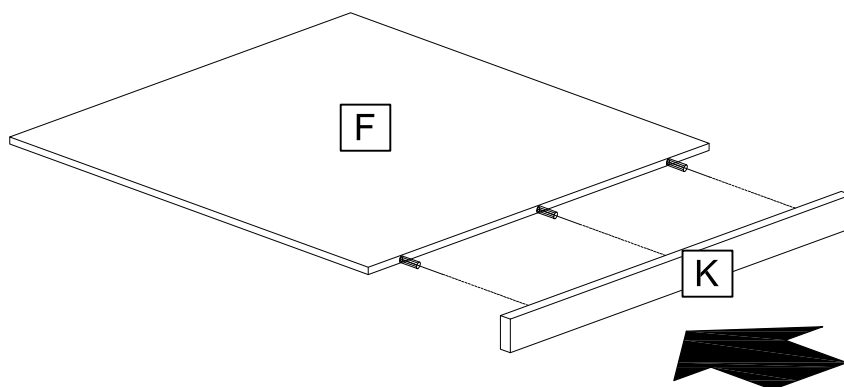
Please fix at second hole and last holes.



Step 6

Locate panel K x 1 to panel

F x 1 to panel F.

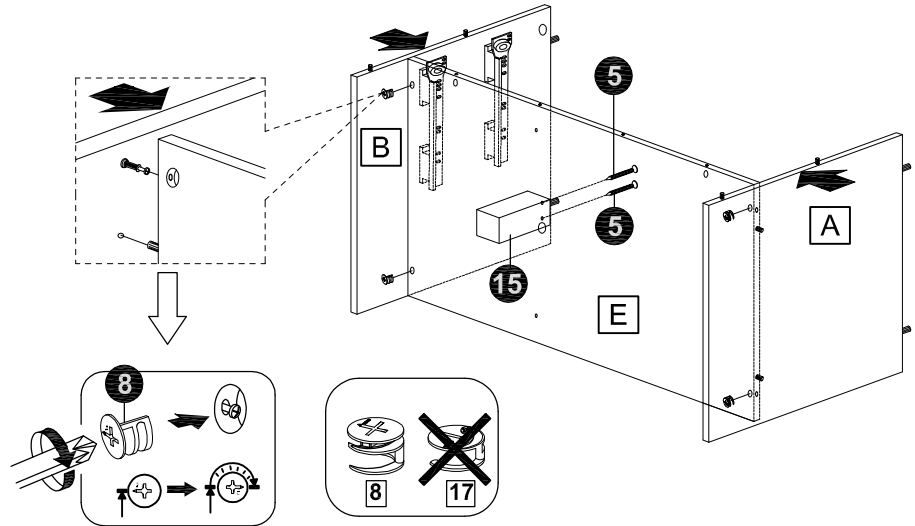


Assembly Instructions

Step 7

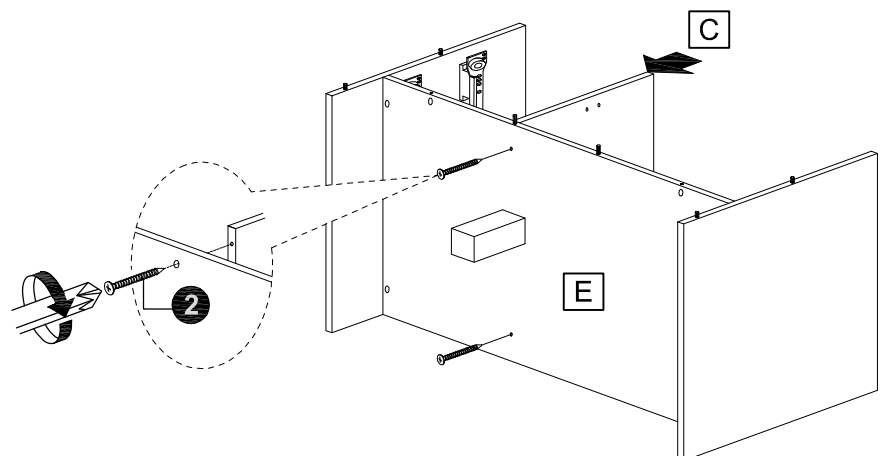
Locate panel **A** x 1 and panel **B** x 1 to panel **E**. Connect 4 x quickfit **9** with 4 x camlock **8** using philips screw driver as shown.

After all fixed, install Leg **15** x 1 using screw M5x 40mm **5** x 2 using philips screw driver as shown.



Step 8

Locate panel **C** x 1 to panel **E** x 1. Fixed screw M8 x 38mm **2** x 2 using philips screw driver as shown.



Assembly Instructions

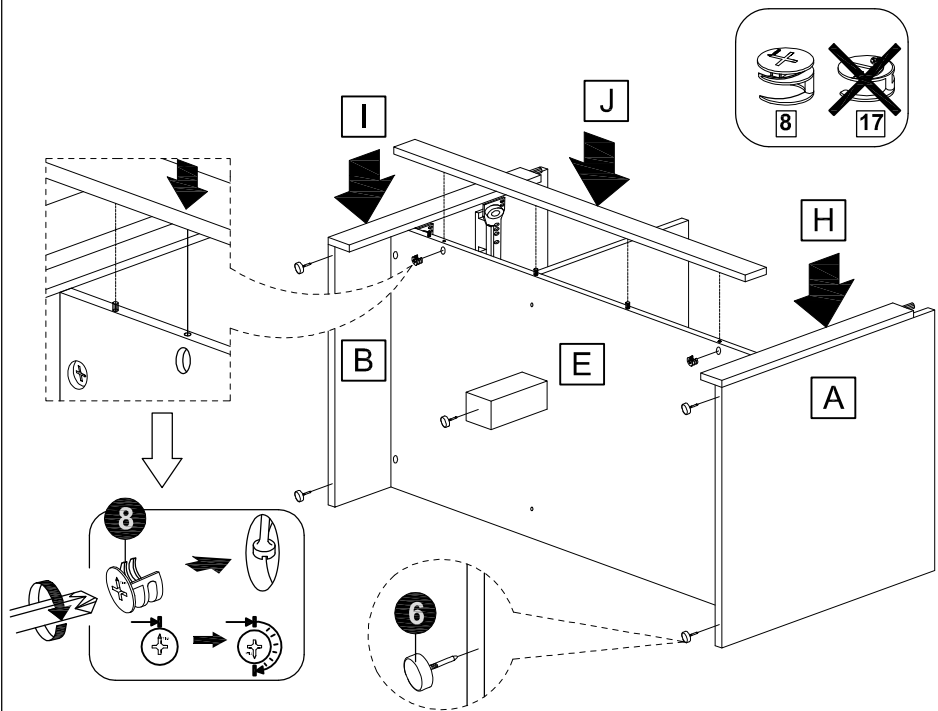
Step 9

Connect panel **I** x 1 to panel **B** x 1.

Connect panel **H** x 1 to panel **A** x 1.

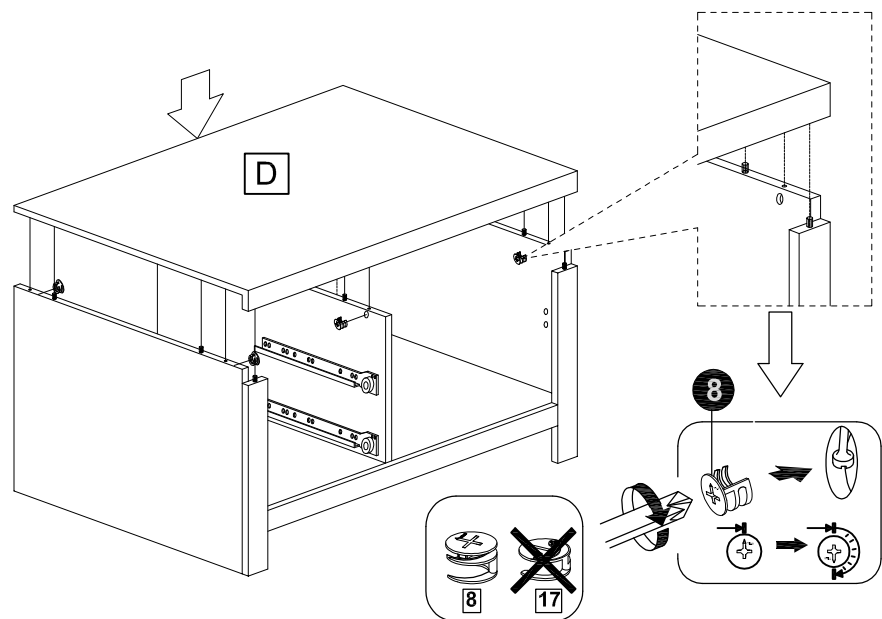
Connect panel **J** x 1 to panel **E** x 1 using 2 x quickfit **9** with 2 x camlock **8** using philips screw driver as shown.

After all fixed, nail a Leg stud **6** x 5 as shown.



Step 10

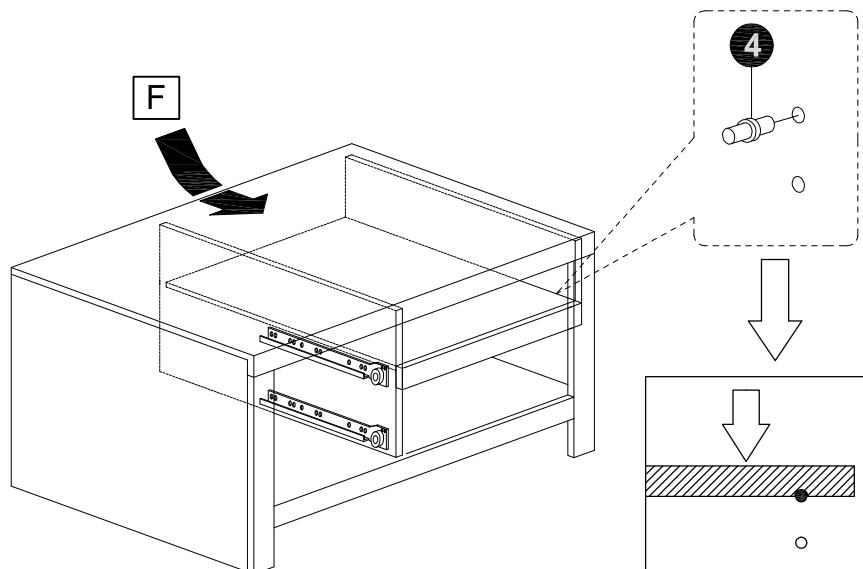
Locate panel **D** x 1 and connect 6 x quickfit **9** with 6 x camlock **8** using philips screw driver as shown.



Assembly Instructions

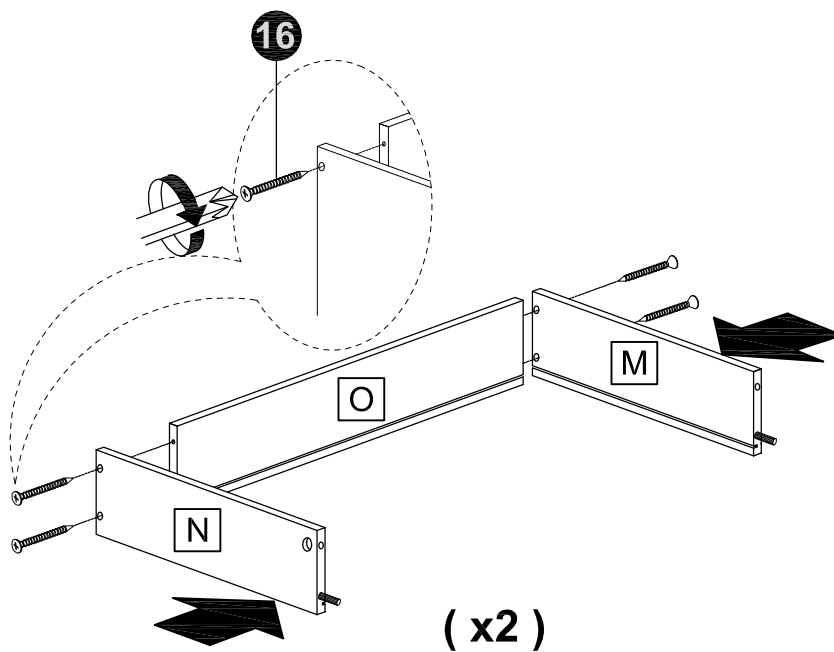
Step 11

Slot in panel **F** x 1 from back side and connect with shelf stub **4** x 4.



Step 12

Connect panel **M** x 2 & **N** x 2 to panel **O** x 2 using screw **16** x 8.

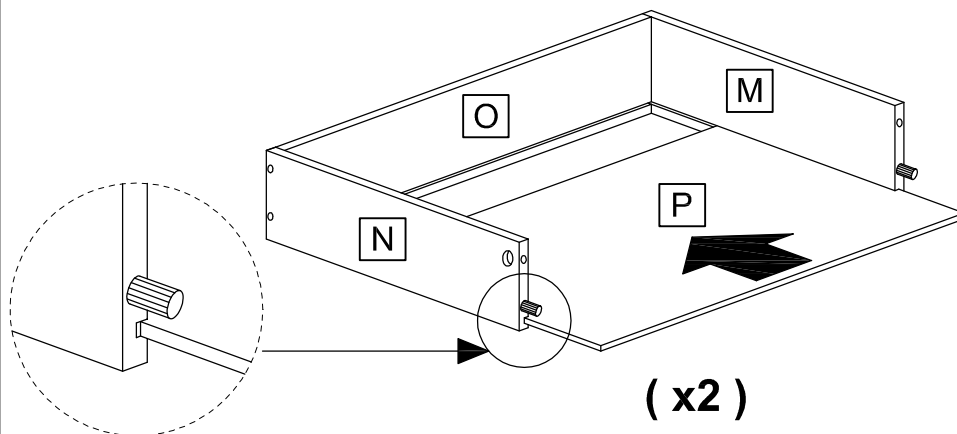


Assembly Instructions

Step 13

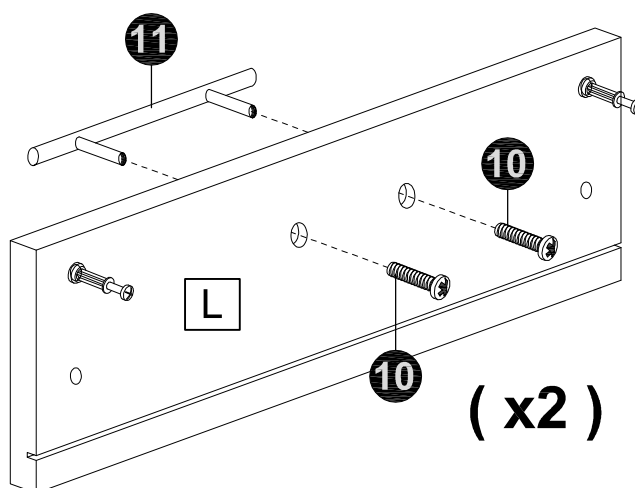
Slot in panel **P** between panel **M** & panel **N** until connect to panel **O**.

Make it 2 sets .



Step 14

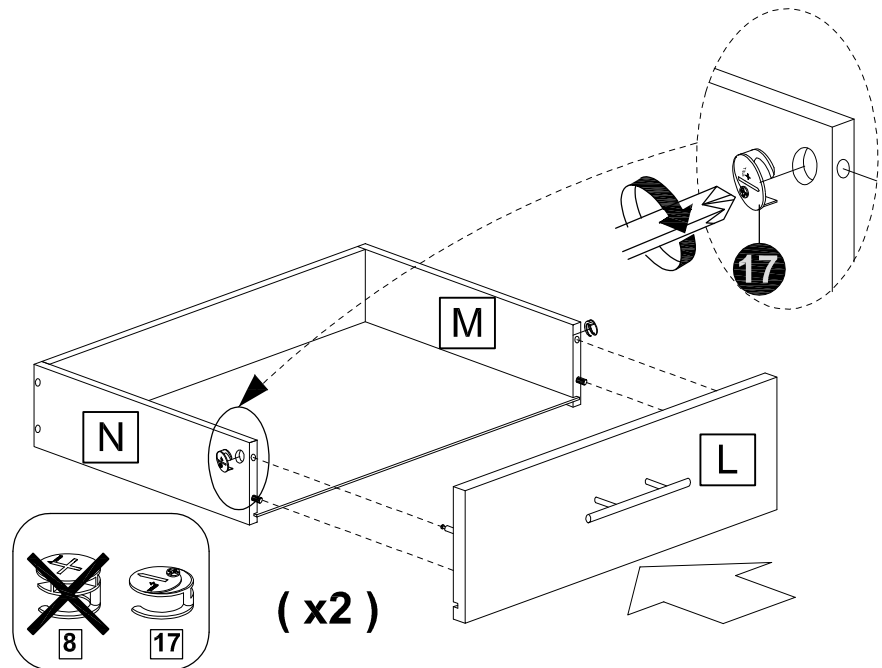
Fix a handle **11** x 2 using screw **M4 x 19mm** **10** x 4 to panel **L**.



Assembly Instructions

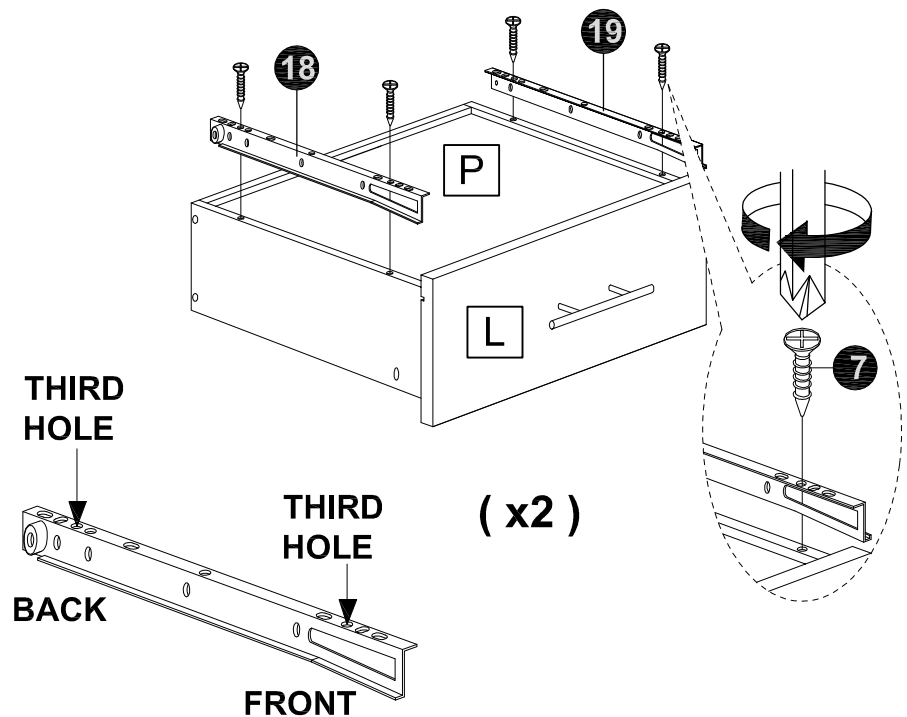
Step 15

Locate panel **L** x 2 to panel **M** x 2 & panel **N** x 2. Connect 4 x quickfit **9** with 4 x camlock **17** using philips screw driver as shown.



Step 16

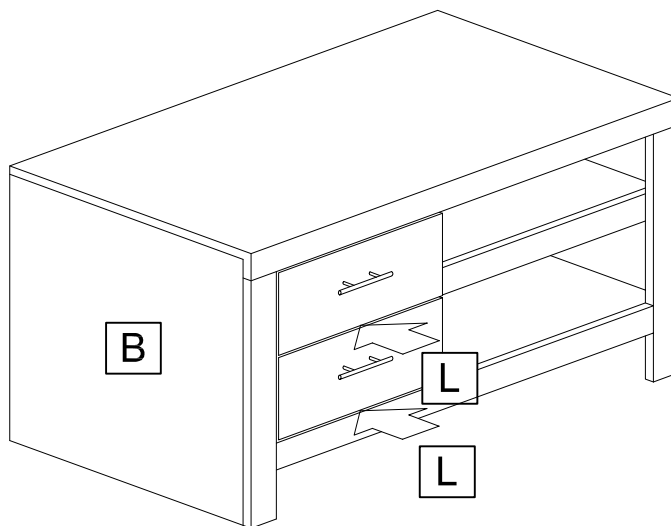
Turn a drawer sets to install drawer runner left **19** x 2 & drawer runner right **18** x 2 using screw M3.5 x 12mm **7** x 8. Please fix at third hole and last third hole screw to fix it.



Assembly Instructions

Step 17

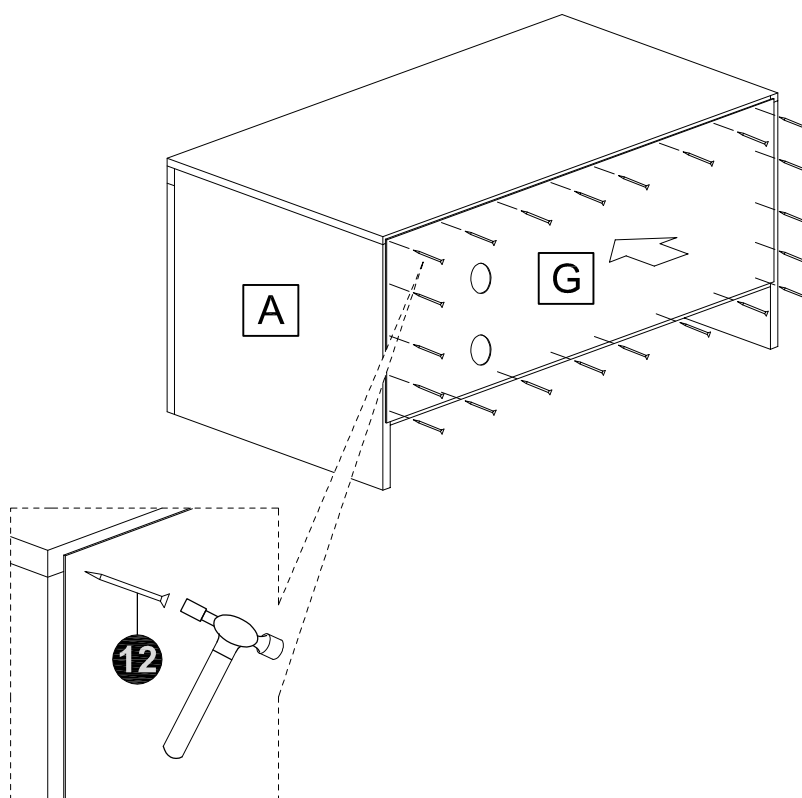
Locate drawer sets panel **L** x 2 as shown.



Step 18

Locate panel **G** and nailing a metal nails **12** x 30 using a hammer.

Please ensure that each of four corners of cabinet are square .



Assembly Instructions

Step 19

Assembly is complete.

