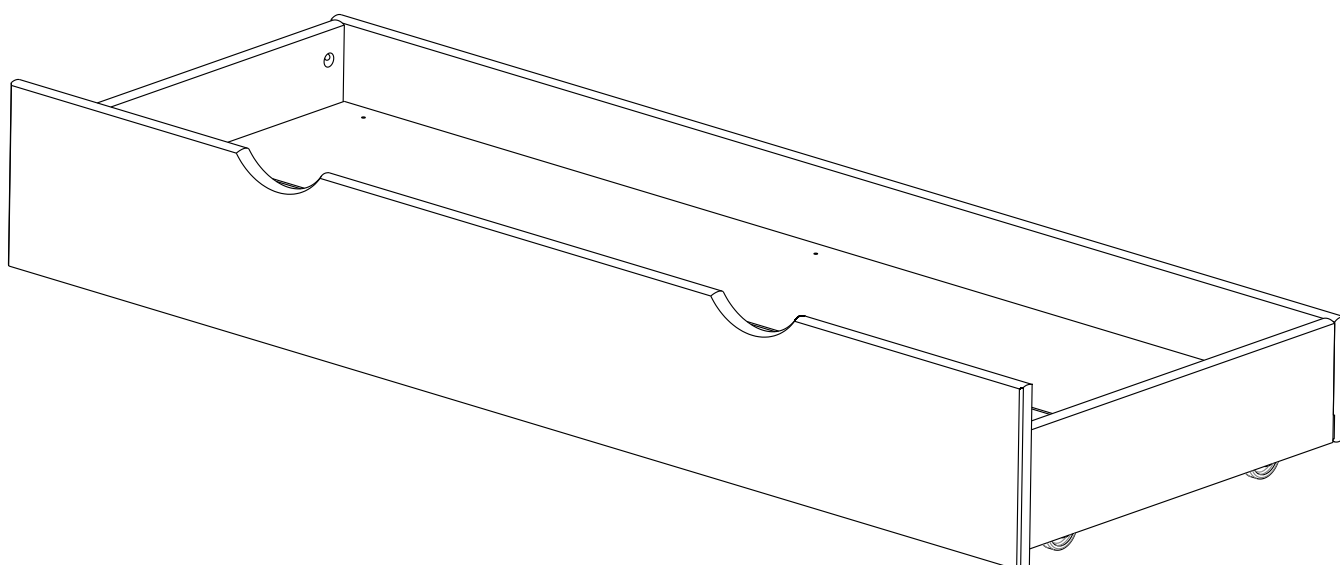


Aspley - Bunkbed Drawer

Assembly Instructions - Please keep for future reference

459/1261
457/9898



Dimensions

Width - 52.9cm

Depth - 144.0cm

Height - 21.5cm

Important – Please read these instructions fully before starting assembly

If you need help or have damaged or missing parts, call the **Customer Helpline: 03456 400 800**



Safety and Care Advice

Important – Please read these instructions fully before starting assembly

- Check you have all the components and tools listed on pages 2 and 3.
- Remove all fittings from the plastic bags and separate them into their groups.
- Keep children and animals away from the work area, small parts could choke if swallowed.
- Make sure you have enough space to layout the parts before starting.
- Do not stand or put weight on the product, this could cause damage.
- Assemble the item as close to its final position (in the same room) as possible.
- Assemble on a soft level surface to avoid damaging the unit or your floor.

- This product has been produced from natural timber; you may notice some variation in the grain and colour of different component parts which is normal for furniture produced using natural wood and is not the result of any manufacturing fault.

- The product has been treated with a wax and oil finish to prevent dirt ingress and preserve moisture.

- On unpacking the furniture you may notice an odour due to this treatment; this will disappear once the furniture is unpacked and assembled after a period of time.

- This process may leave some staining on the packaging material; please take care to ensure this does not transfer to clothing or carpeted surfaces during assembly.



as this could damage the unit. Only use hand screwdrivers.

- We do not recommend the use of power drill/drivers **for inserting screws**,

- Parts of the assembly will be easier with 2 people.

- Dispose of all packaging carefully and responsibly.

Care and maintenance

- Use an appropriate furniture polish for natural wood furniture and a dry cloth to clean the product.
- Avoid placing the furniture in direct sunlight as this will cause the timber to prematurely age.

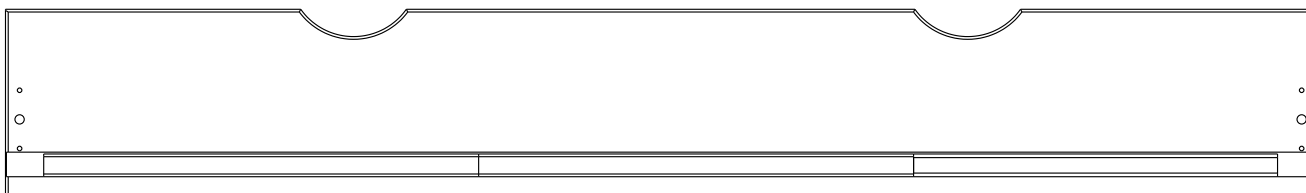
- From time to time check that there are no loose screws on this unit.

- This product should not be discarded with household waste. Take to your local authority waste disposal centre.

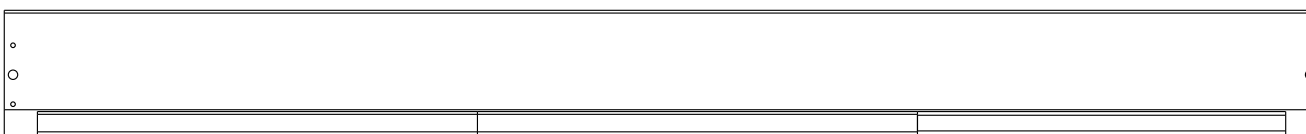
Note: If required the next page can be cut out and used as reference throughout the assembly. Keep this page with these instructions for future reference.

Components - Panels

Please check you have all the panels listed below



1 Drawer front (144.0 x 20.5cm)



2 Drawer back (91.0 x 13.7cm)



3 Drawer side x 2 (49.0 x 14.2cm)



4 Support bar x 5 (48.7 x 7.0cm)



5 Drawer base x 2 (138.7 x 24.3cm)



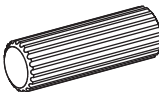
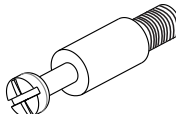
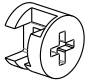
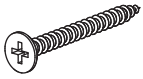


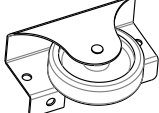
Components - Fittings

If you have damaged or missing components, call the **Customer Helpline: 03456 400 800**

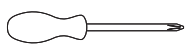
Please check you have all the fittings listed below

Note:

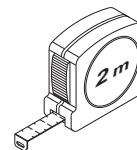
The quantities below are the correct amount to complete the assembly. In some cases more fittings may be supplied than are required.

<p>A</p>  <p>Wooden dowel x 4 10 x 40mm</p>	<p>B</p>  <p>Metal dowel x 8</p>	<p>C</p>  <p>Locking nut x 8</p>
<p>D</p>  <p>4.0 x 35mm Screw x 10</p>	<p>E</p>  <p>Allen key x 1</p>	<p>F</p>  <p>3.5 x 16mm Screw x 28</p>
<p>G</p>  <p>Wheel x 4</p>		

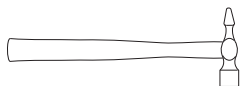
Tools required



Phillips screwdriver
(medium & large)



Ruler/tape
measure



Small
hammer



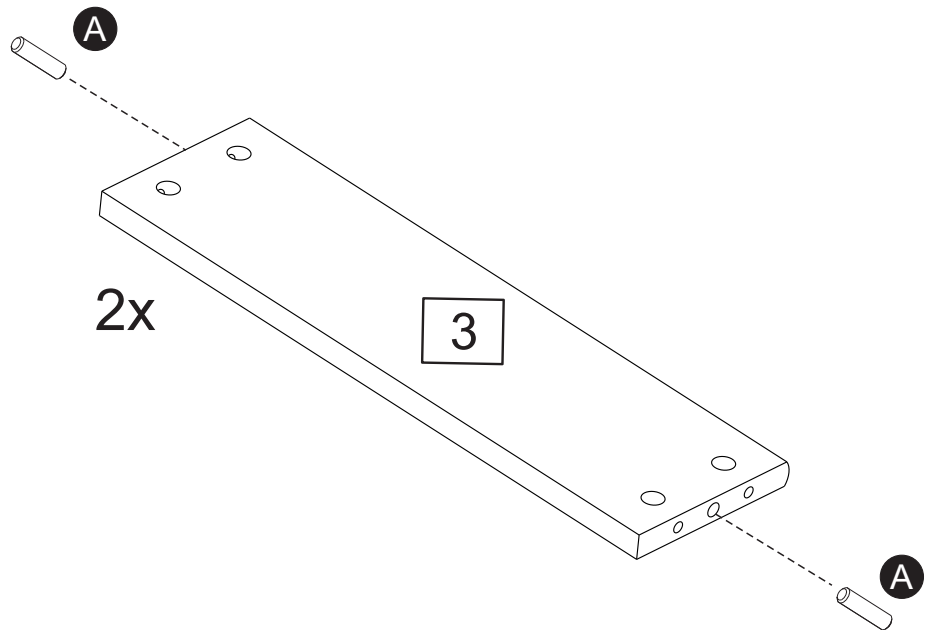
Eye protection
(when using a
hammer or glue)

Ruler - Use this ruler to help correctly identify the screws

Assembly Instructions

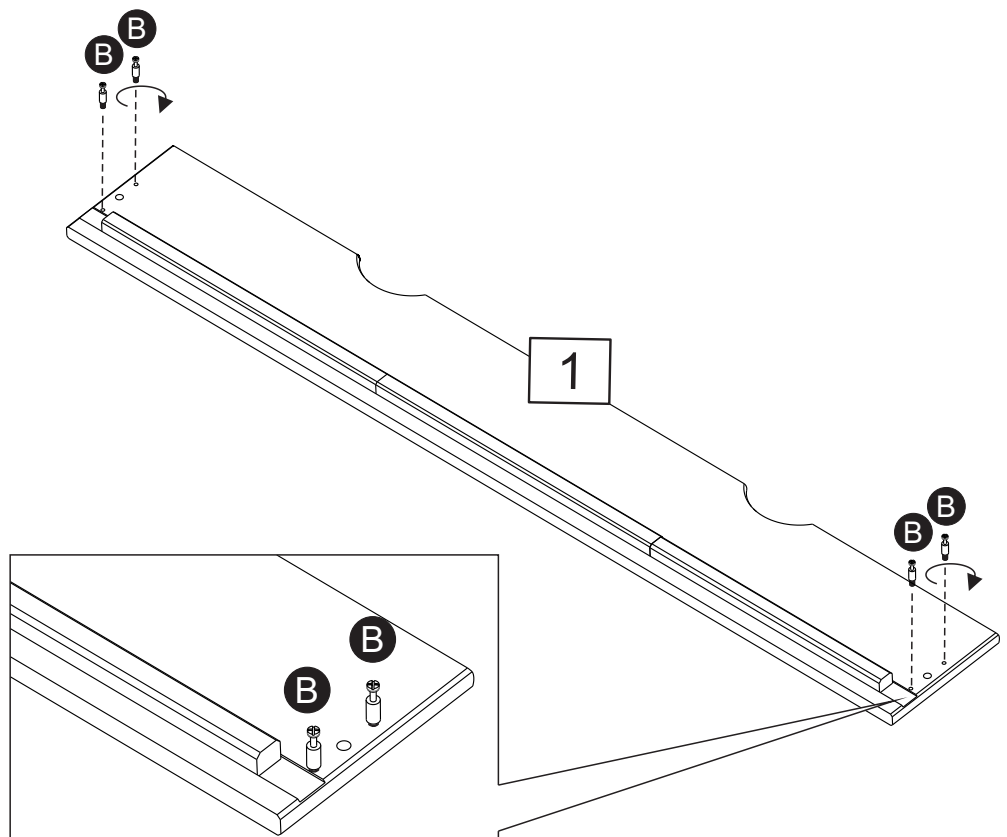
Step1

insert wooden dowels **A**
into drawers sides **3** .



Step2

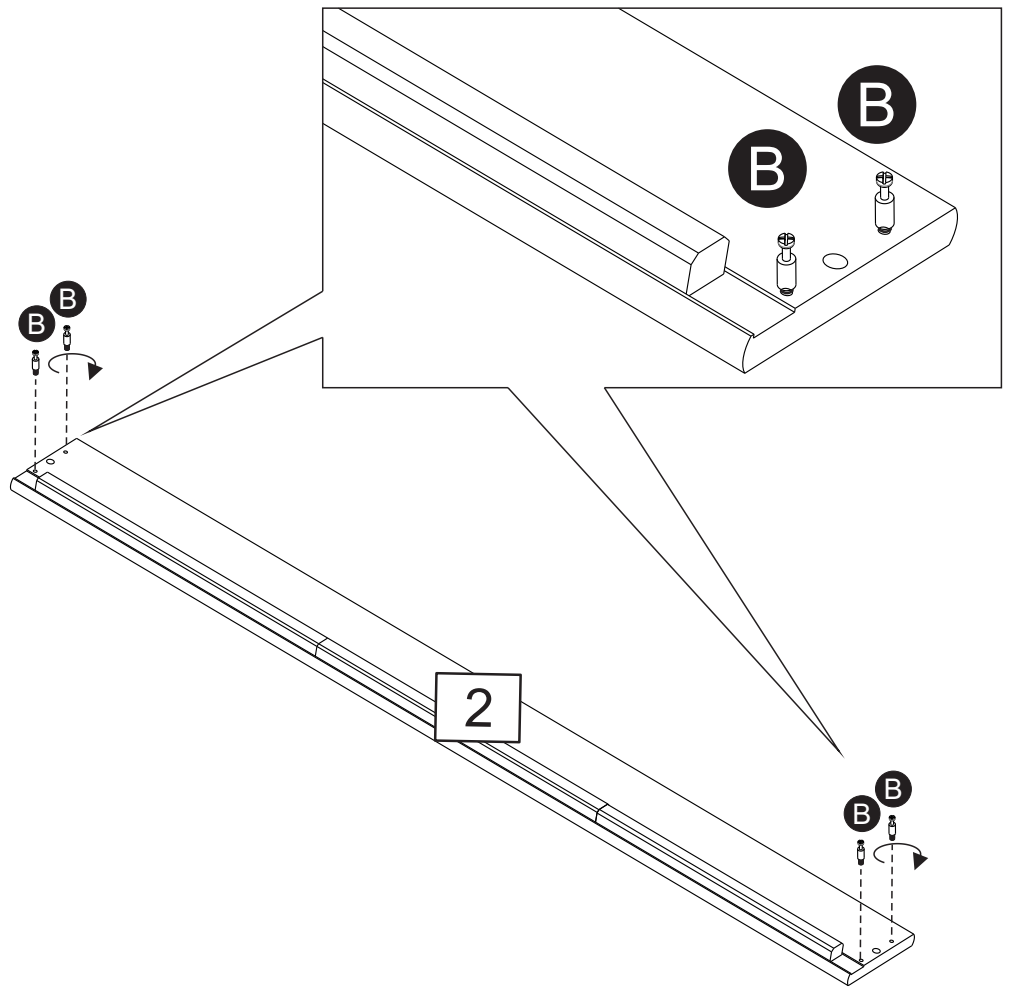
Screw metal dowels **B** into
drawer front **1** .



Assembly Instructions

Step3

Screw metal dowels **B** into drawer back **2**.



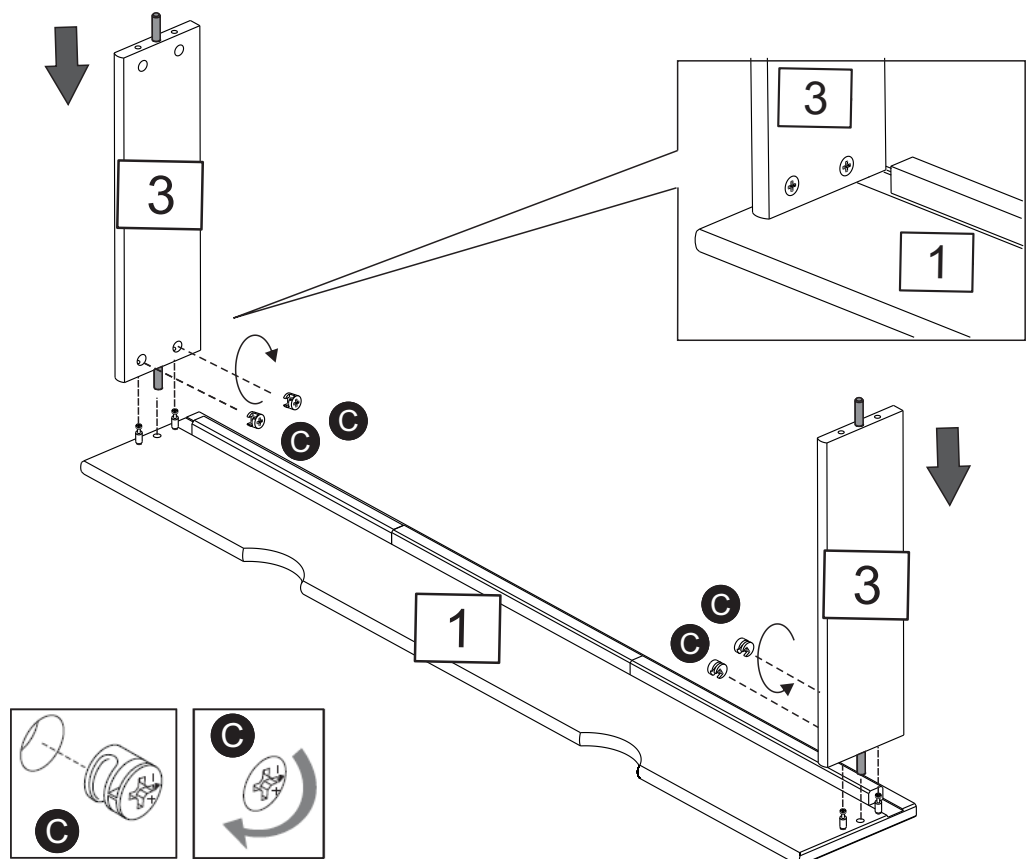
Step4

Assembling drawer sides.

Fit drawer sides **3** to drawer front **1**.

Insert 2 locking nuts into each drawer side as shown.

Use a screwdriver to turn locking nuts **C** clockwise to lock.

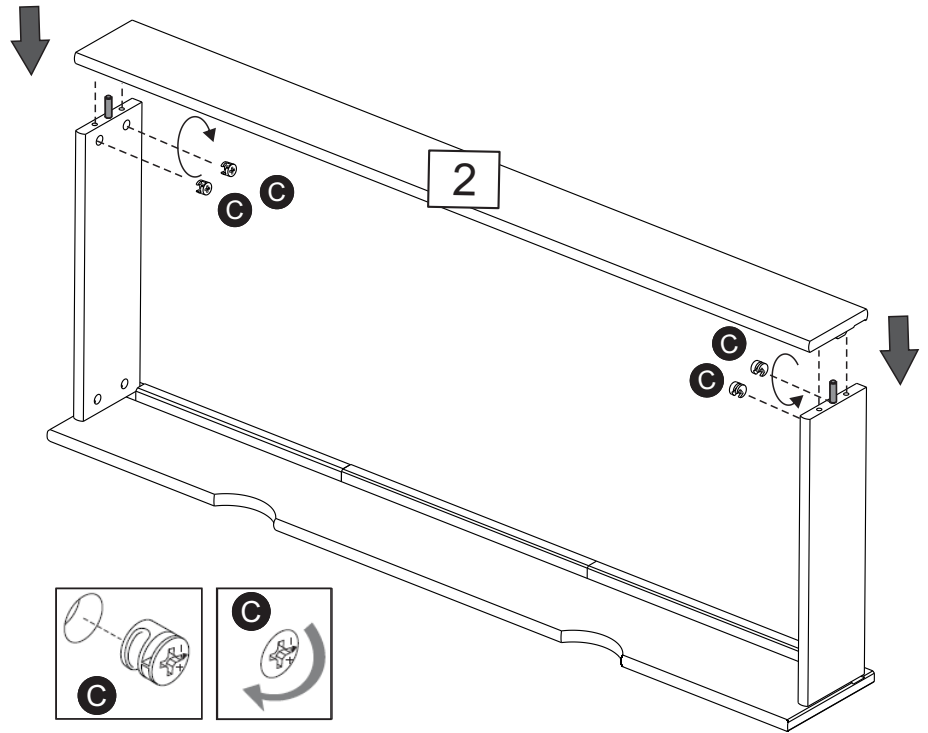


Assembly Instructions

Step 5

Fit drawer back **2** to drawer sides, then insert locking nuts **C** into drawer sides as shown.

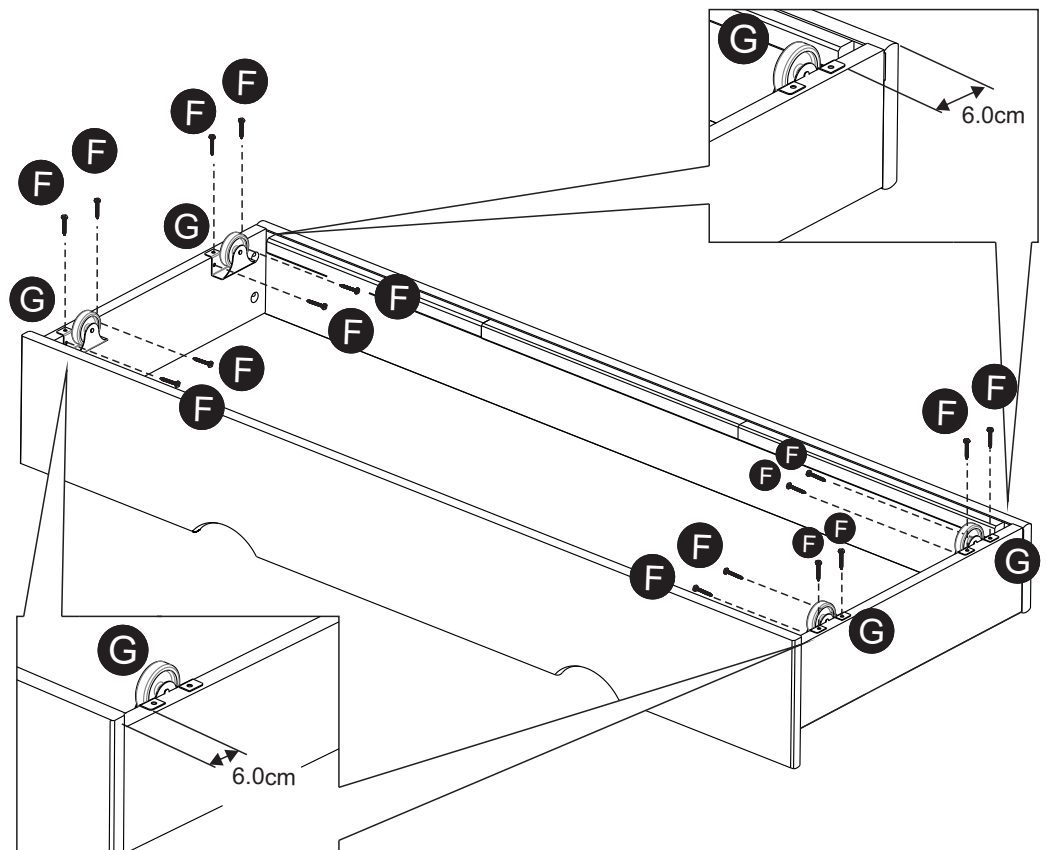
Use a screwdriver to turn locking nuts clockwise to lock.



Step 6

Carefully, turn the product upside down.

Fix wheels **G** using screws **F**. Leave 6cm distance from the drawer front and drawer back as shown.



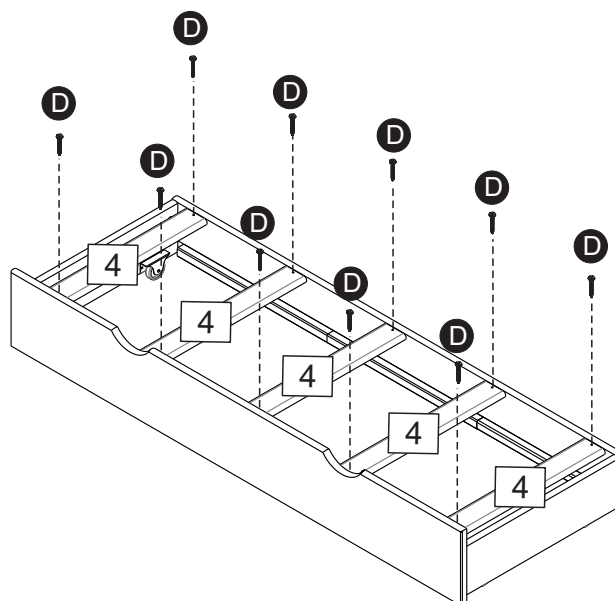
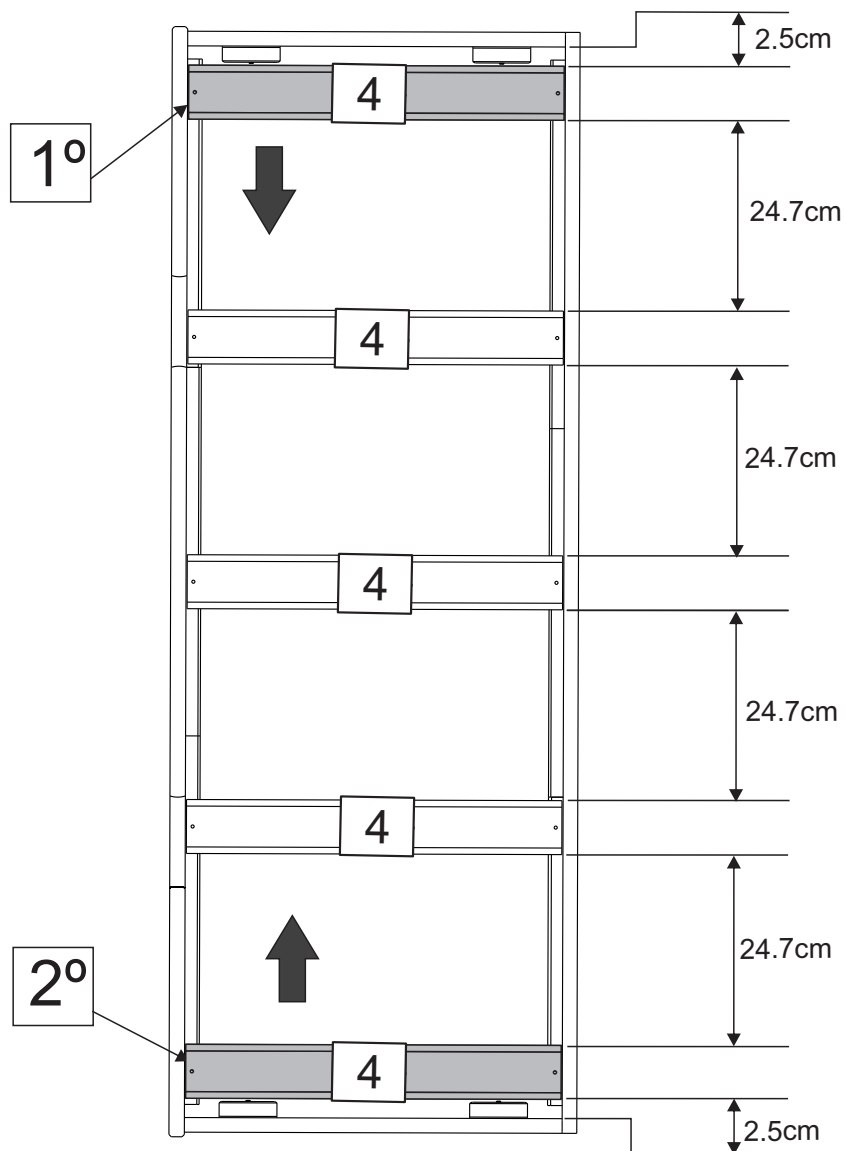
Assembly Instructions

Step 7

With help, turn the other way round.

Fix support bars **4** using screws **D**.

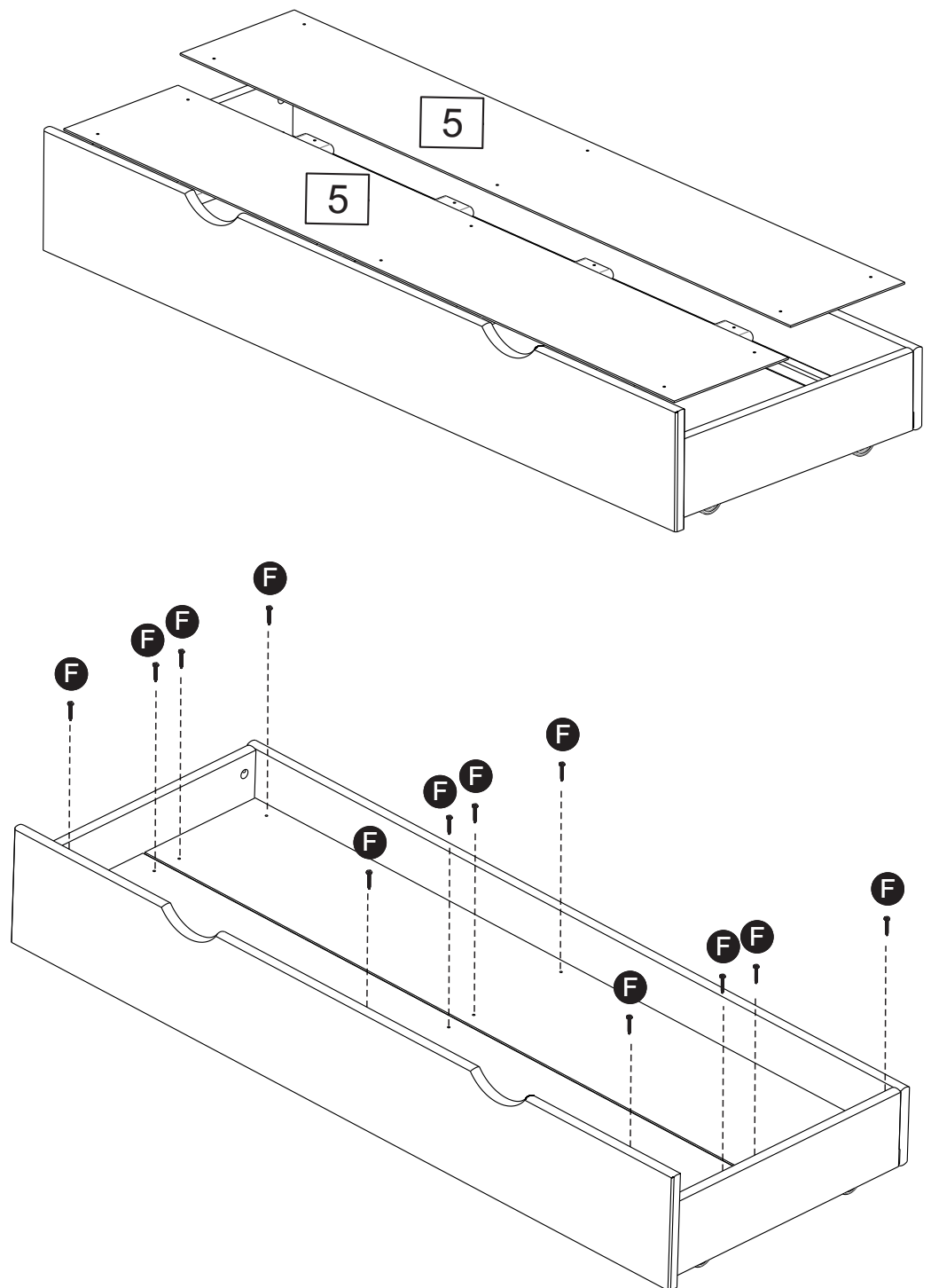
First, fix bars next to the drawer sides, leaving 2,5cm distance from drawer sides. Then, leave 24,7cm distance to fix the next bars and 24,7cm to fix the bar at the centre.



Assembly Instructions

Step 8

Place drawer bases **5** to the drawer as shown. Then, fix them through pre-drilled holes using screws **F**.



Assembly is complete.

If you need help or have damaged or missing parts, call the **Customer Helpline: 03456 400 800**