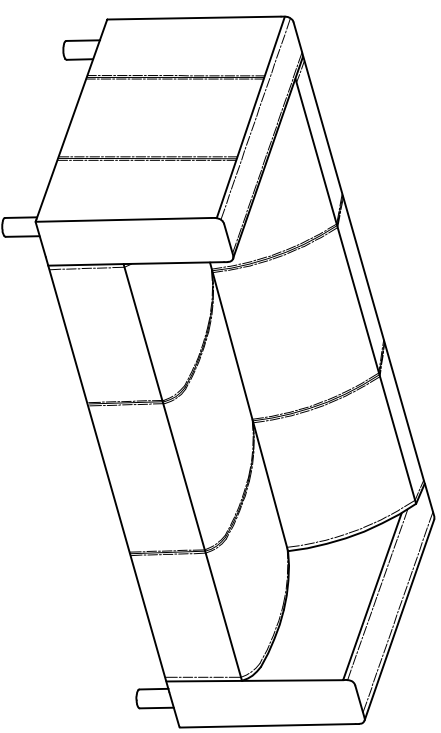


# Jasper Reg Sofa

Assembly Instructions - Please keep for future reference



## Dimension

Width - 177cm

Length - 83cm

Height - 64,5cm

**Important - Please read these instructions fully before starting assembly**

If you need help or have damaged or missing parts, call the Customer Helpline: 08456 400800



# Safety and Care Advice

## Important - Please read these instructions fully before starting assembly

- Check you have all the components and tools listed on pages 2.
- Do not stand or put weight on the product; this could cause damage.
- Remove all fittings from the plastic bags and separate them into their groups.
- Assemble the item as close to its final position (in the same room) as possible.
- Keep children and animals away from the work area; small parts could choke if swallowed.
- Assemble on a soft level surface to avoid damaging the unit or your floor.
- Make sure you have enough space to layout the parts before starting.
- Parts of the assembly will be easier with 2 people.
- Do not tighten all bolts until



• We do not recommend the use of power drill/drivers for **inserting screws** as this could damage the unit. Only use hand screwdrivers.

- Dispose of all packaging carefully and responsibly.
- Do not tighten all bolts until bed is fully assembled.

## Care and maintenance

- Only clean using a damp cloth and mild detergent; do not use bleach or abrasive cleaners.
- From time to time check that there are no loose bolts on this unit.
- This product should not be discarded with household waste. Take to your local authority waste disposal centre.

# Components - Fittings

## Please check you have all the fittings listed below

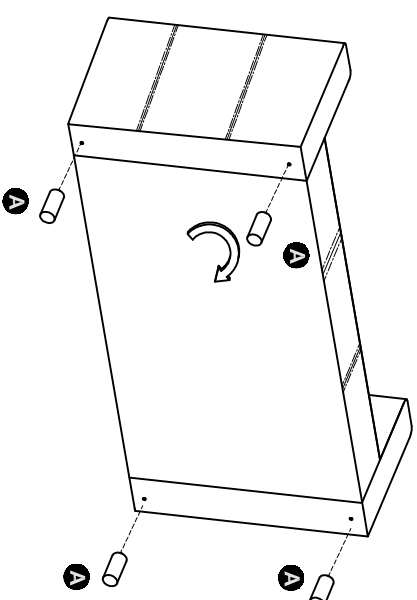
**Note:** the quantities below are the correct amount to complete the assembly. In some cases more fittings may be supplied than are required.



# Assembly instructions

## Step 1

**Attaching legs**  
 a: Insert leg A into armrest and rotate to right.  
 Repeat this operation for all 4 legs



**Note:** if required the next page can be cut out and used as reference throughout the assembly. Keep this page with these instructions for future reference.