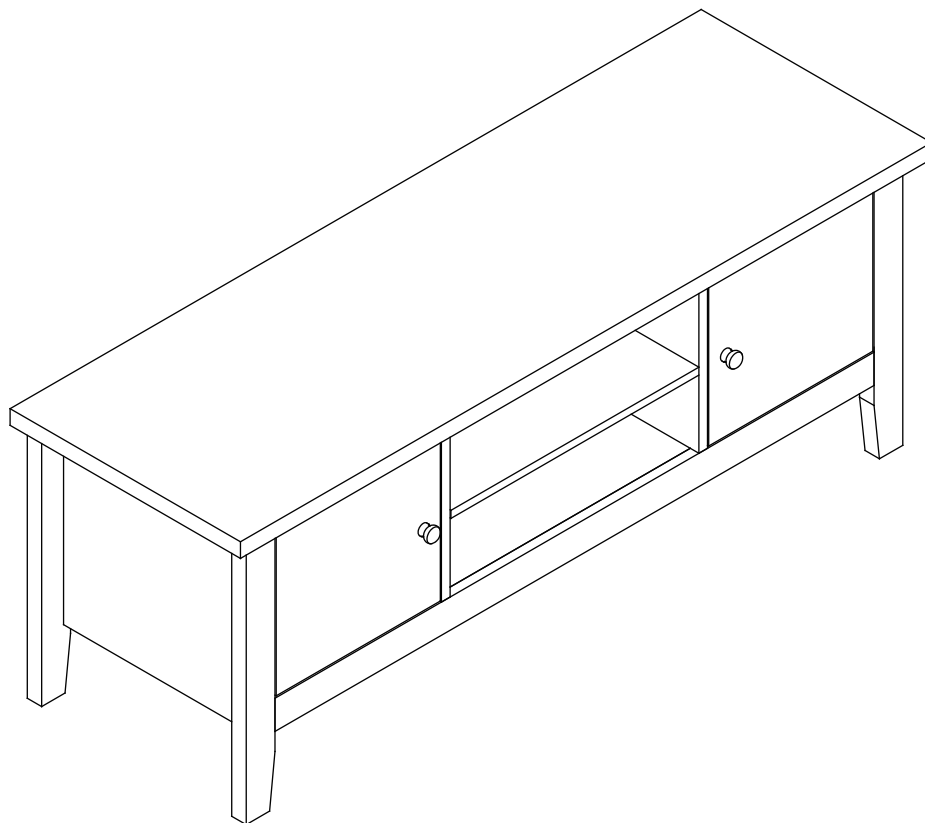


Luna Low Wide TV Unit

Assembly Instructions - Please keep for future reference

457/7553

hygena



Dimensions

Width - 120cm
Depth - 40cm
Height - 45cm

Important - Please read these instructions fully before starting assembly

If you need help or have damaged or missing parts, call the

Customer Helpline: 0345 6400 800



Safety and Care Advice

Important – Please read these instructions fully before starting assembly

Check you have all the components and tools listed on pages 2 and 3.

Remove all fittings from the plastic bags and separate them into their groups.

Keep children and animals away from the work area, small parts could choke if swallowed. Make sure you have enough space to layout the parts before starting.

Assemble the item as close to its final position (in the same room) as possible.

Assemble on a soft level surface to avoid damaging the unit or your floor.

Assembly requires 2 people.

Do not stand or put excessive weight on the product, this could cause damage.



We do not recommend the use of power drill/drivers for inserting screws,

as this could damage the unit.

Only use hand screwdrivers and Allen keys.

Dispose of all packaging carefully and responsibly.

Solid wood / Real wood veneers

This product has been finished using natural materials. As a living material, you may notice some variation in the grain and colour shade between the different components.

Unlike a synthetic or man-made material which has a uniform finish, a feature of natural wood is its variation in grain and colour. We wish to reassure you that this is quite normal and is not the result of any manufacturing fault.

Where sheets of wood are joined together, a line may be detected. Again, this is normal and is not an imperfection.

The natural finish should be cared for by the periodic application of a good quality 'wax' based domestic furniture polish (Not silicone!!). Occasional / small spills should be removed immediately using a damp cloth.

Do not allow hot articles to come into contact with the surface, as damage will occur!

Care and maintenance

Only clean using a damp cloth and mild detergent, do not use bleach or abrasive cleaners.

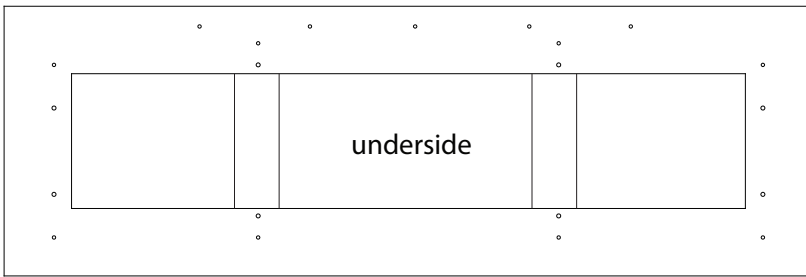
From time to time check that there are no loose screws on this unit.

This product should not be discarded with household waste. Take to your local authority waste disposal centre.

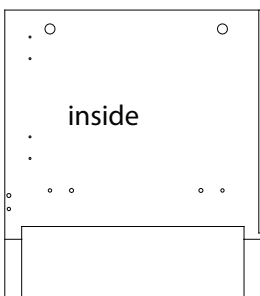
Components - Parts

If you have damaged or missing components, call the **Customer Helpline**: 0345 6400 800

Please check you have all the parts listed below



1 Top
(120x40x2.5cm)

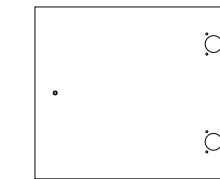


3 Side frame (right)
(43x38x5cm)

4 Divider (right)
(37.5x27.5x1.5cm)

5 Divider (left)
(37.5x26 x 1.5cm)

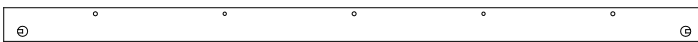
2 Side frame (left)
(43x38x5cm)



6 Door x 2
(28.5x25.5x1.5cm)



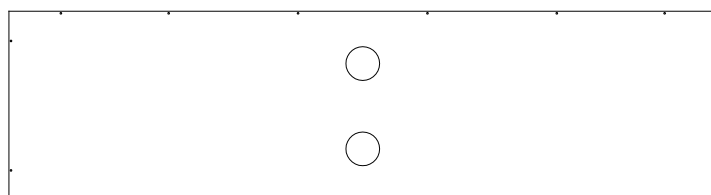
7 Base panel
(106x36x1.5cm)



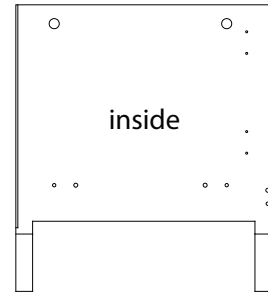
8 Apron
(106x5x1.5cm)



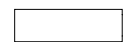
10 Top stretcher
(106x2.6x1.5cm)



12 Back panel
(108.3x29.9x0.3cm)



9 Shelf
(44.6x37x1.2cm)



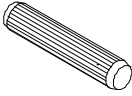
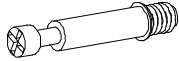



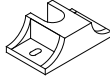
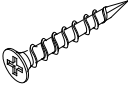
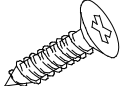

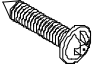

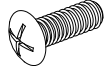
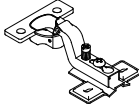
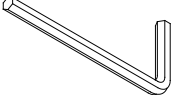
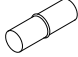
11 Foot x 2
(3x3x13cm)

Components - Fittings

If you have damaged or missing components, call the **Customer Helpline: 0345 6400 800**

Please check you have all the fittings listed below

Note: The quantities below are the correct amount to complete the assembly. In some cases more fittings may be supplied than are required.

<p>A</p>  <p>Wooden dowel (6X30mm) x23</p>	<p>B</p>  <p>Metal dowel x 16</p>	<p>C</p>  <p>Large locking nut x 12</p>
<p>D</p>  <p>Small locking nut x 4</p>	<p>E</p>  <p>Screw (3x10mm) x 4</p>	<p>F</p>  <p>Door stop x 2</p>
<p>G</p>  <p>Screw (4x30mm) x 3</p>	<p>H</p>  <p>Screw (4x12mm) x 16</p>	<p>J</p>  <p>Screw (5x40mm) x 6</p>
<p>K</p>  <p>Screw (2.5x10mm) x 16</p>	<p>L</p>  <p>Handle x 2</p>	<p>M</p>  <p>Screw (4x18mm) x 2</p>
<p>N</p>  <p>Hinges x 4</p>	<p>Q</p>  <p>Allen key x 1</p>	<p>P</p>  <p>Shelf support pin x 4</p>

Tools required



Ruler/tape measure



Phillips screwdriver
(Not supplied)

Ruler - Use this ruler to help correctly identify the screws



Assembly Instructions

Step 1

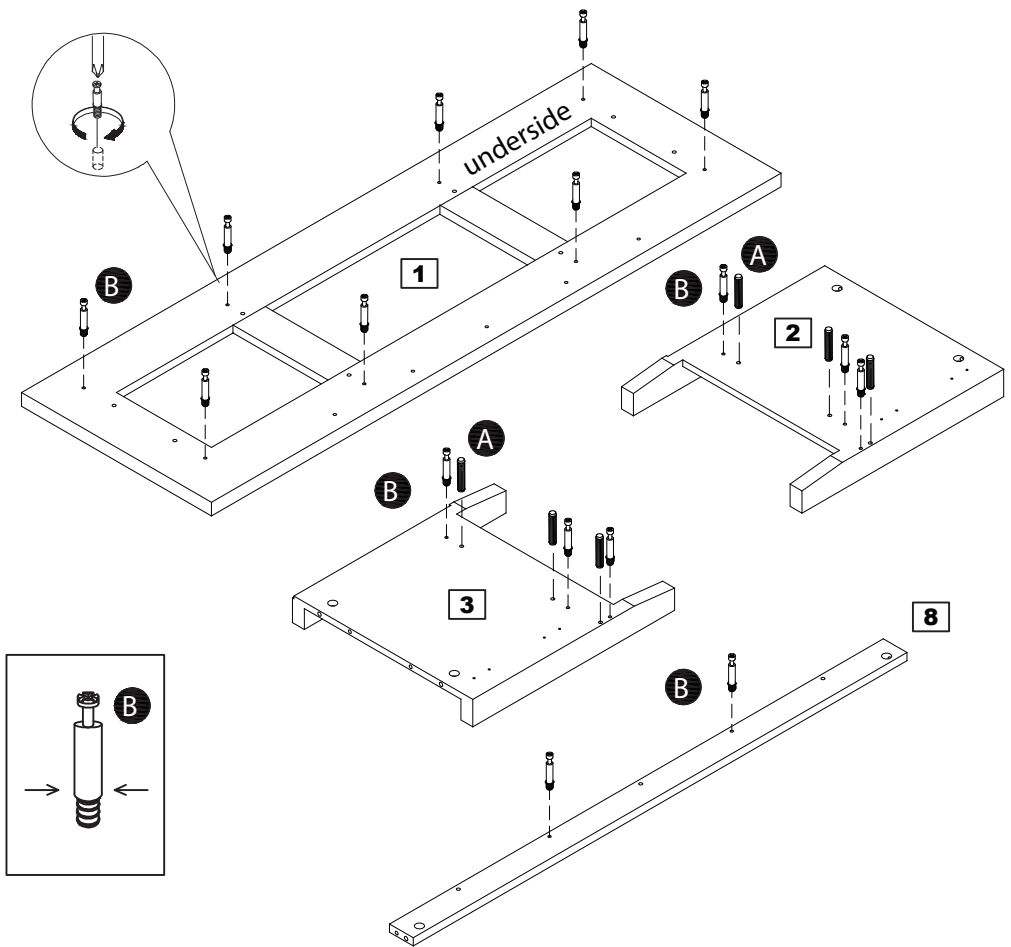
Preparing panels

Place top **1** and side frames **2** and **3** and apron **8** flat on the floor with the fixing holes facing up.

Screw metal dowels **B** into all panels as shown.

Note: Screw metal dowels as far as shown. Do not overtighten.

Insert wood dowels **A** into side frames **2** and **3** as shown.



Step 2

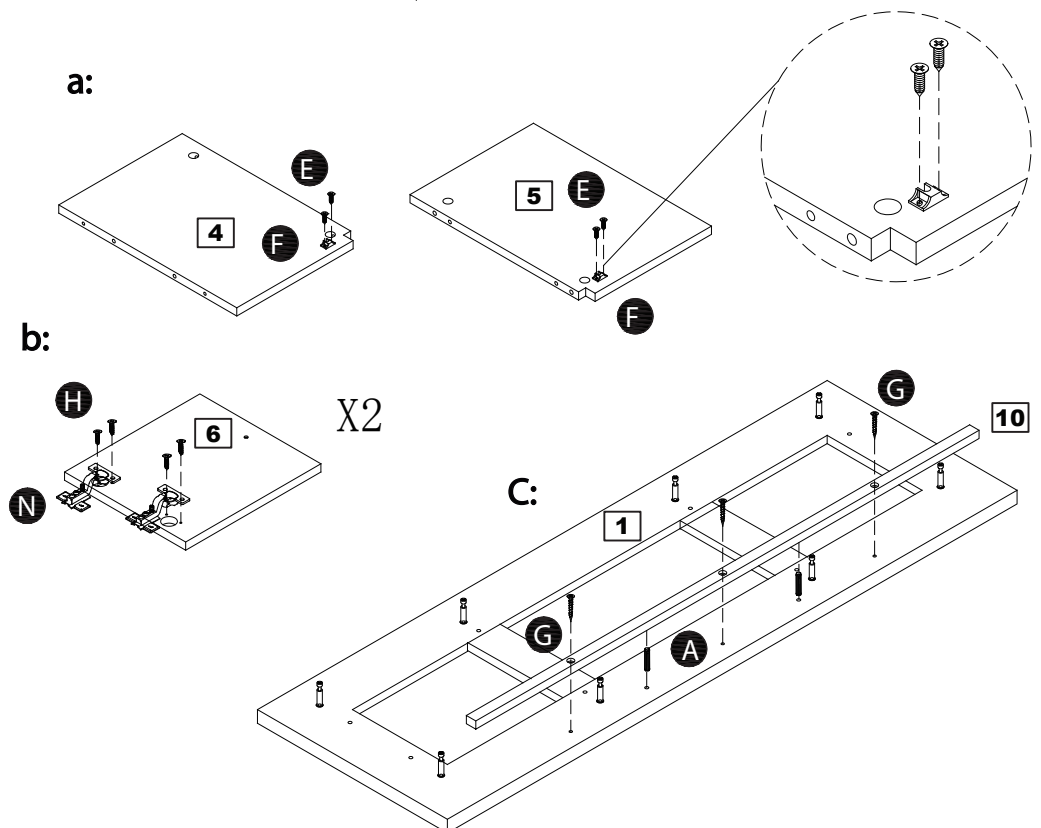
Preparing panels

a: Fit door stops **F** to dividers **4** and **5** using screws **E**.

b: Fit door hinges **N** to doors **6** using screws **H**.

c: Insert wood dowels **A** into the underside of top **1**.

Locate top stretcher **10** into position and secure using screws **G**.



Assembly Instructions

Step 3

Assembling base panel

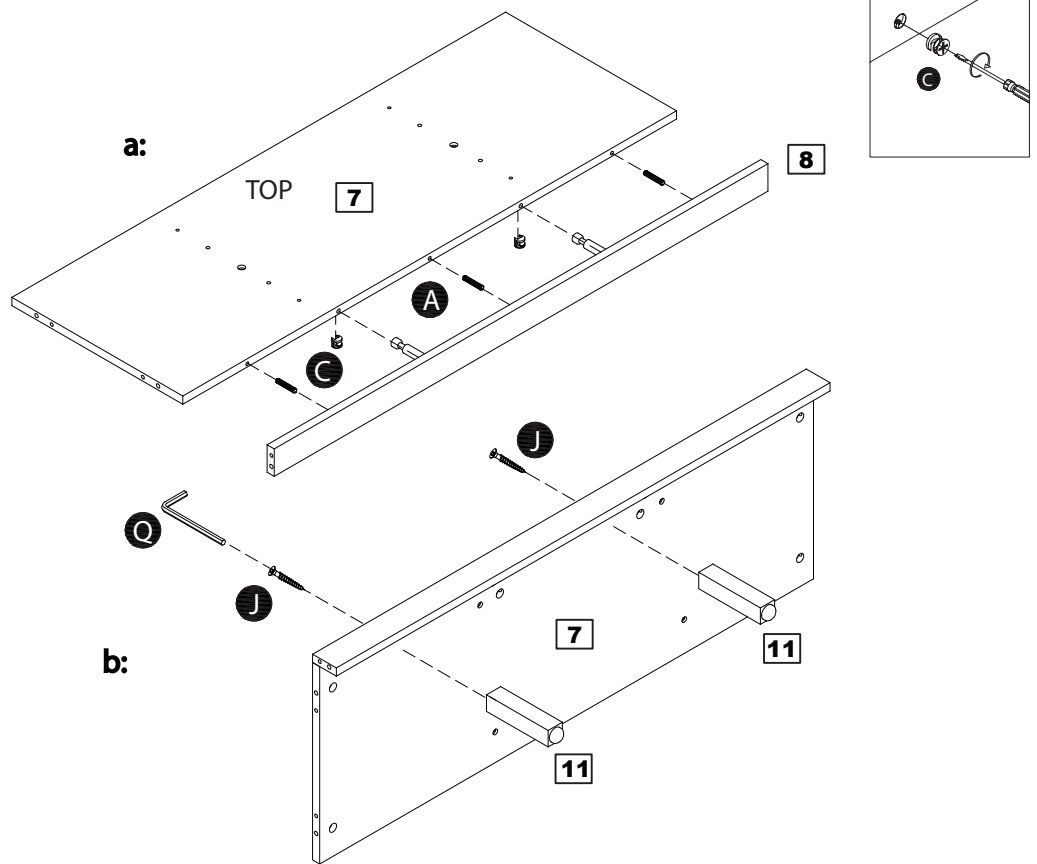
a: Insert wood dowels **A** into the holes along the edge of base panel **7**.

Locate apron **8** into position.

Insert large locking nuts **C** into the holes in the underside of base **7**.

Turn locking nuts clockwise to secure.

b: With help, assemble feet **11** to base panel **7** using screws **J**.



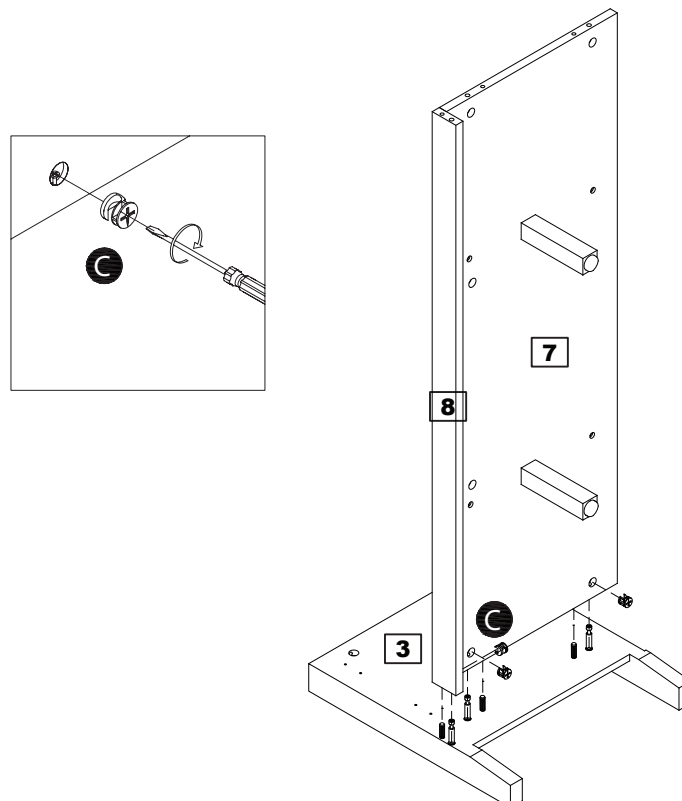
Step 4

Locating base panel

Locate the base panel assembly onto right side frame **3**.

Insert large locking nuts **C** into the holes in base panel **7** and apron **8**.

Turn locking nuts clockwise to secure.



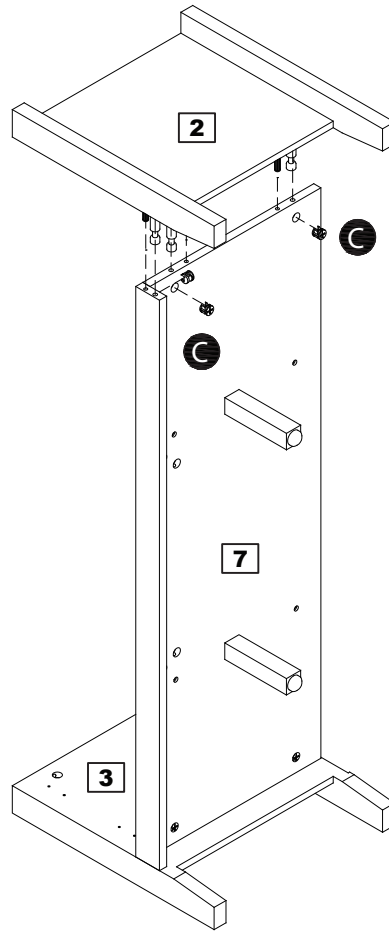
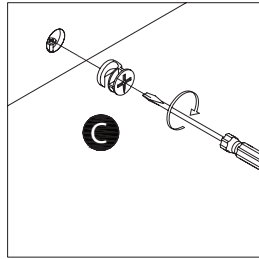
Assembly Instructions

Step 5

Assembling side panel

Locate left side panel **2** into position.

Secure using large locking nuts **C**.



Step 6

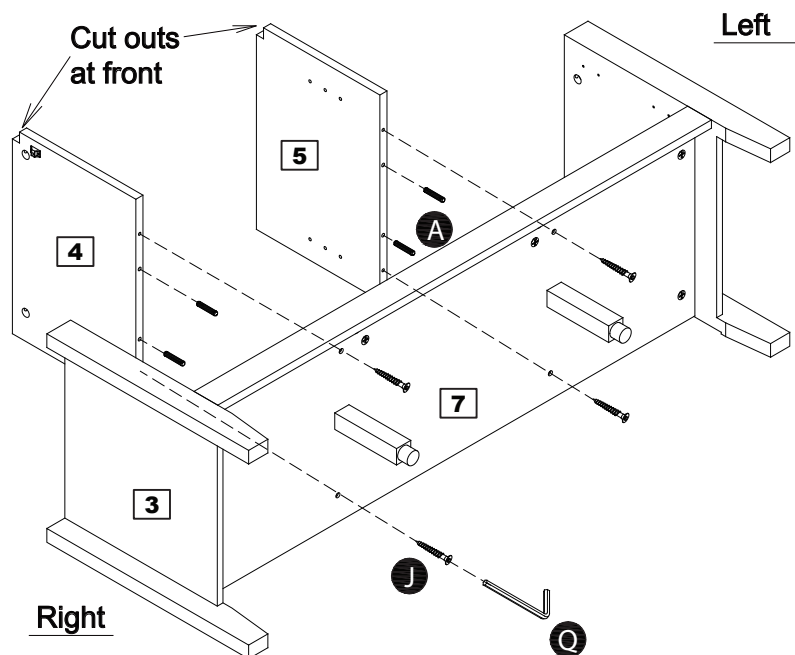
Assembling dividers

Carefully turn the unit onto its back.

Insert wood dowels **A** into the bottom of dividers **4** and **5** as shown.

Assemble left and right dividers **5** and **4** to the base panel using fixings **J**.

Note: Ensure the cut outs in one corner of dividers **4** and **5** and at the front.



Assembly Instructions

Step 7

Assembling top

With help, carefully stand the unit upright.

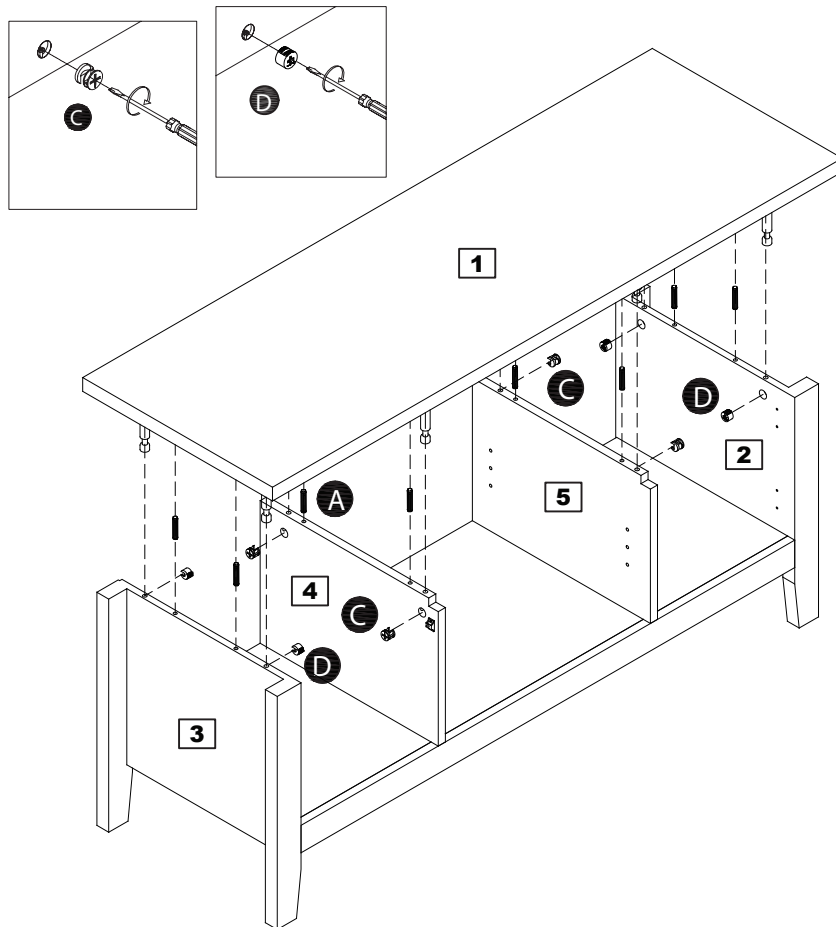
Insert wood dowels **A** into the top of side frames **2** and **3** and dividers **4** and **5**.

Locate top **1** into position.

Insert small locking nuts **D** into side panels **2** and **3**.

Insert large locking nuts **C** into dividers **4** and **5**.

Turn locking nuts to secure.

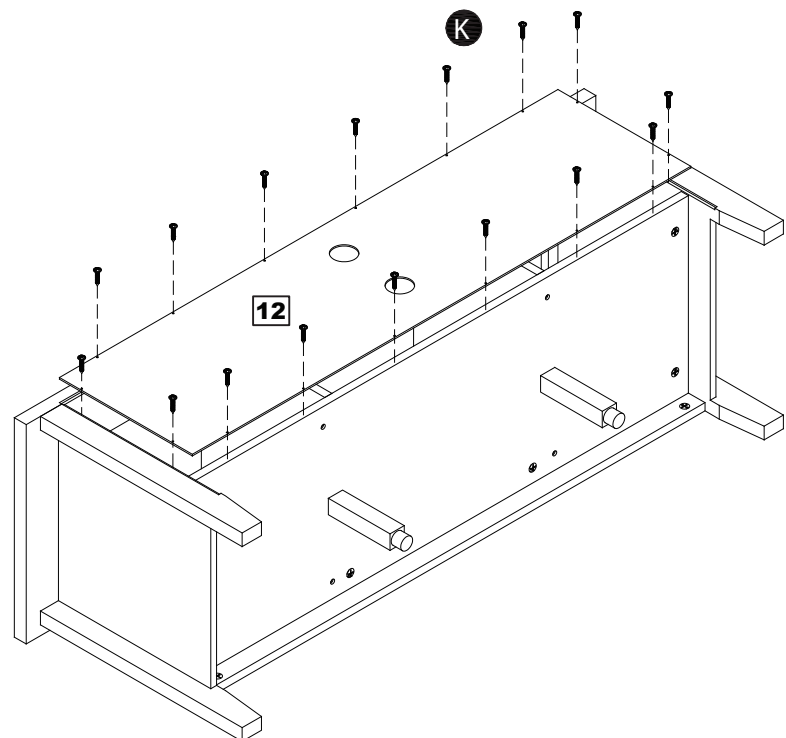


Step 8

Fitting back panel

Carefully lay the unit flat onto its face.

Locate back panel **11** into position and secure using screws **K**.



Assembly Instructions

Step 9

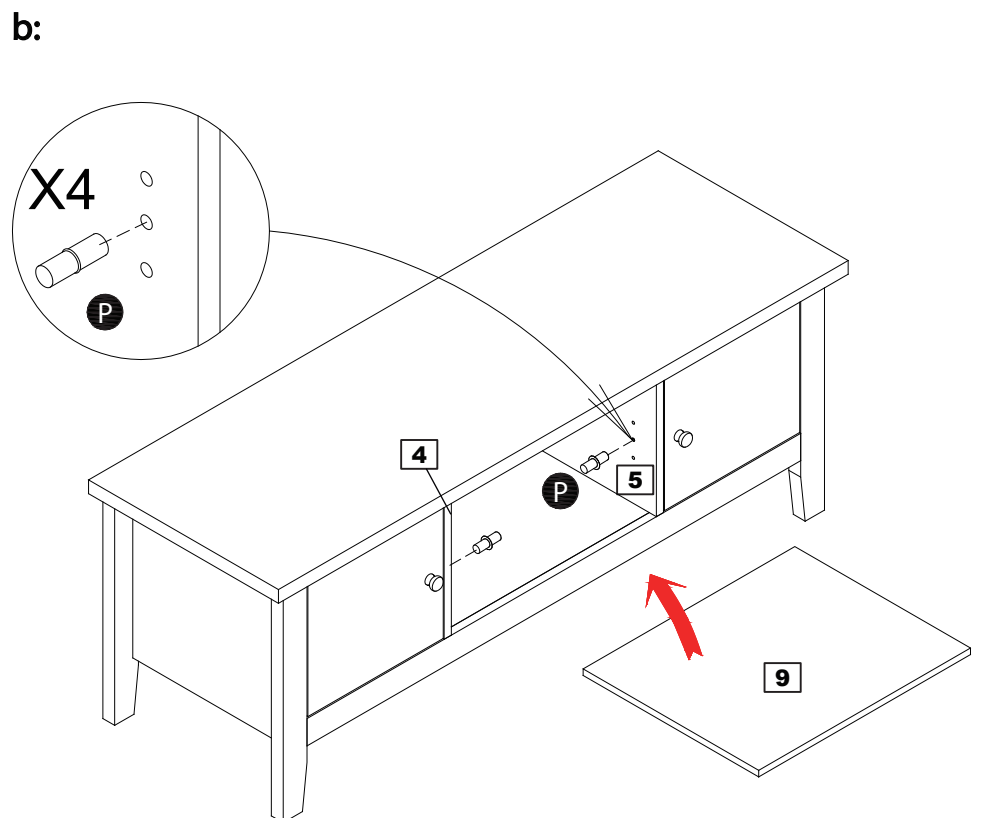
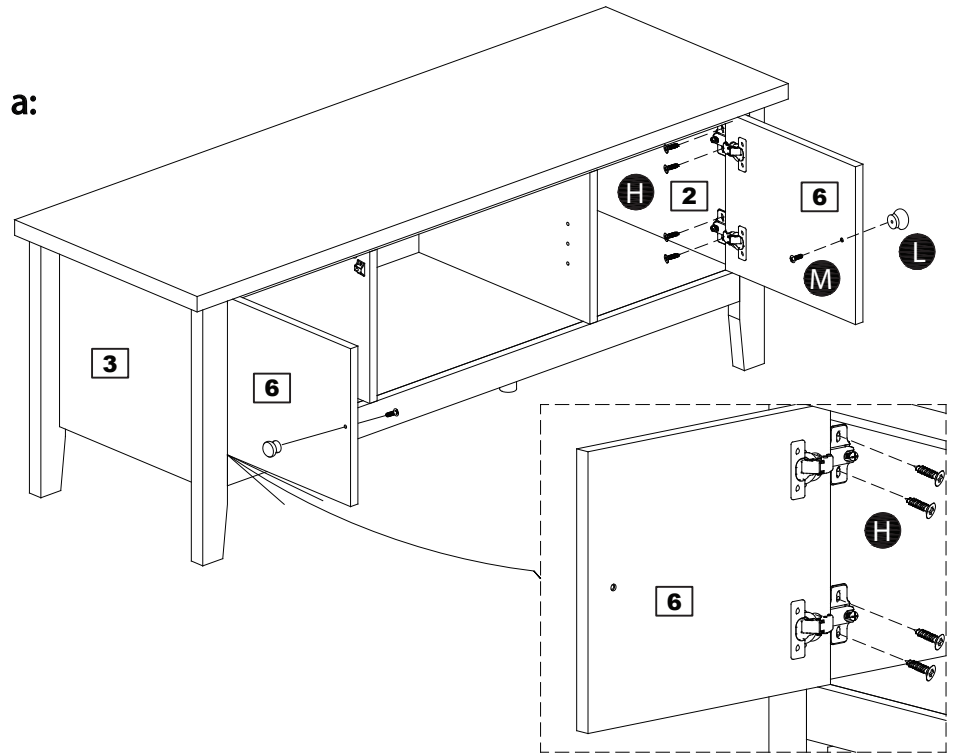
Assembling doors

a: Assemble doors **6** to side frames **2** and **3** using screws **H**.

Fit handles **L** to doors using screws **M**.

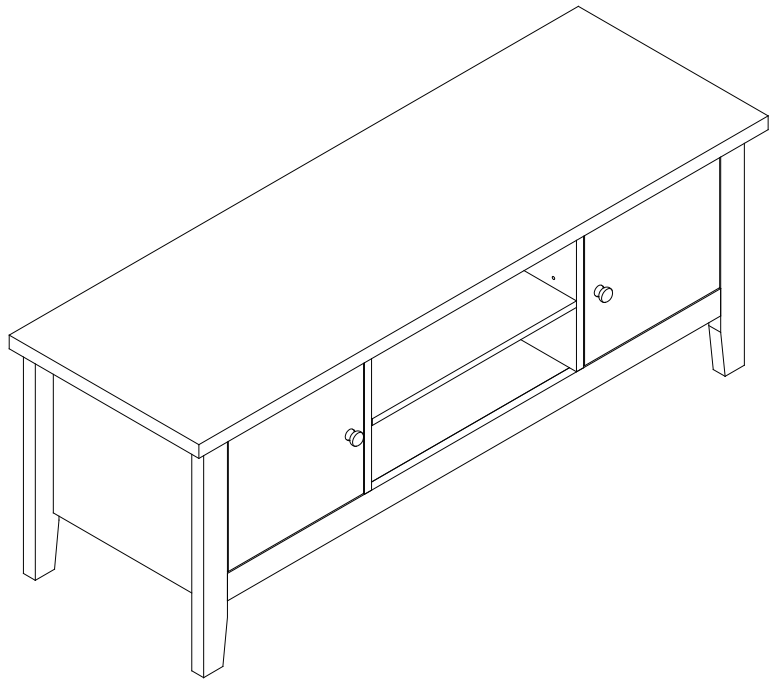
b: Insert shelf support pins **P** into dividers **4** and **5** at the desired height.

Carefully locate shelf **9** onto the support pins.



Assembly Instructions

Step 10



Assembly is complete.

If you need help or have damaged or missing parts, call the **Customer Helpline: 0345 6400 800**
Home Retail Group, 489-499 Avebury Boulevard, Saxon Gate West, Central Milton Keynes, MK9 2NW