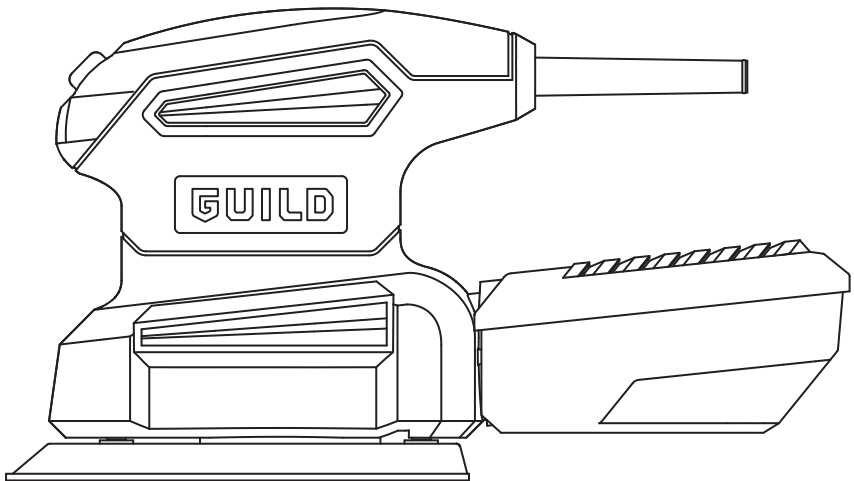


# GUILD

## 135W Detail Sander

Instruction Manual

PPS135G



# GUILD

### After Sales Support

UK/Ireland 0333 3201989  
Help@guildpowertools.co.uk

**Important** - Please read these instructions fully before operating or maintaining your Guild Detail Sander

These instructions contain important information that will help you get the best from your Guild Detail Sander, ensuring it remains safe to operate.

If you need help or have damaged or missing parts, call the Customer Helpline on 0333 3201989

# Contents

<b>Safety Information.....</b>	<b>3</b>
<b>In The Box.....</b>	<b>6</b>
<b>Accessories.....</b>	<b>6</b>
<b>Operating Instructions.....</b>	<b>7</b>
<b>Working Hints For Your Detail Sander.....</b>	<b>9</b>
<b>Maintenance.....</b>	<b>10</b>
<b>Trouble Shooting.....</b>	<b>10</b>
<b>Technical Data.....</b>	<b>11</b>
<b>Environmental Protection.....</b>	<b>12</b>
<b>Guarantee.....</b>	<b>13</b>
<b>Declaration of Conformity.....</b>	<b>13</b>
<b>Plug Replacement (Uk &amp; Ireland Only).....</b>	<b>14</b>

# Safety Information

**Important** - Please read these instructions fully before starting assembly

## Warning Symbols

The following warning symbols appear throughout this assembly manual and indicate the appropriate safety measures you should take when assembling and operating the Detail Sander.



To reduce the risk of injury, Please read the instruction manual



Warning



Wear ear protection



Wear eye protection



Wear dust mask



Double insulation



Waste electrical products must not be disposed of with household waste. Please recycle where facilities exist. Check with your Local Authority or retailer for recycling advice.

# Safety Information

**Important** - Please read these instructions fully before starting assembly

## General Power Tool Safety Warnings



**WARNING!** Read all safety warnings and all instructions. Failure to follow the warnings and instructions may result in electric shock, fire and/or serious injury.

**Save all warnings and instructions for future reference.**

The term "power tool" in the warnings refers to your mains-operated (corded) power tool or battery-operated (cordless) power tool.

### 1) Work area safety

- a) **Keep work area clean and well lit.** Cluttered or dark areas invite accidents.
- b) **Do not operate power tools in explosive atmospheres, such as in the presence of flammable liquids, gases or dust.** Power tools create sparks which may ignite the dust or fumes.
- c) **Keep children and bystanders away while operating a power tool.** Distractions can cause you to lose control.

### 2) Electrical safety

- a) **Power tool plugs must match the outlet. Never modify the plug in any way. Do not use any adapter plugs with earthed (grounded) power tools.** Unmodified plugs and matching outlets will reduce risk of electric shock.
- b) **Avoid body contact with earthed or grounded surfaces, such as pipes, radiators, ranges and refrigerators.** There is an increased risk of electric shock if your body is earthed or grounded.
- c) **Do not expose power tools to rain or wet conditions.** Water entering a power tool will increase the risk of electric shock.
- d) **Do not abuse the cord. Never use the cord for carrying, pulling or unplugging the power tool. Keep cord away from heat, oil, sharp edges or moving parts.** Damaged or entangled cords increase the risk of electric shock.
- e) **When operating a power tool outdoors, use an extension cord suitable for outdoor use.** Use of a cord suitable for outdoor use reduces the risk of electric shock.
- f) **If operating a power tool in a damp location is unavoidable, use a residual current device (RCD) protected supply.** Use of an RCD reduces the risk of electric shock.

### 3) Personal safety

- a) **Stay alert, watch what you are doing and use common sense when operating a power tool. Do not use a power tool while you are tired or under the influence of drugs, alcohol or medication.** A moment of inattention while operating power tools may result in serious personal injury.
- b) **Use personal protective equipment. Always wear eye protection.** Protective equipment such as dust mask, non-skid safety shoes, hard hat, or hearing protection used for appropriate conditions will reduce personal injuries.
- c) **Prevent unintentional starting. Ensure the switch is in the off-position before connecting to power source and/or battery pack, picking up or carrying the tool.** Carrying power tools with your finger on the switch or energising power tools that have the switch on invites accidents.

# Safety Information

**Important** - Please read these instructions fully before starting assembly

## General Power Tool Safety Warnings

- d) **Remove any adjusting key or wrench before turning the power tool on.** A wrench or a key left attached to a rotating part of the power tool may result in personal injury.
- e) **Do not overreach. Keep proper footing and balance at all times.** This enables better control of the power tool in unexpected situations.
- f) **Dress properly. Do not wear loose clothing or jewellery. Keep your hair, clothing and gloves away from moving parts.** Loose clothes, jewellery or long hair can be caught in moving parts.
- g) **If devices are provided for the connection of dust extraction and collection facilities, ensure these are connected and properly used.** Use of dust collection can reduce dust-related hazards.

### 4) Power tool use and care

- a) **Do not force the power tool. Use the correct power tool for your application.**  
The correct power tool will do the job better and safer at the rate for which it was designed.
- b) **Do not use the power tool if the switch does not turn it on and off.** Any power tool that cannot be controlled with the switch is dangerous and must be repaired.
- c) **Disconnect the plug from the power source and/or the battery pack from the power tool before making any adjustments, changing accessories, or storing power tools.** Such preventive safety measures reduce the risk of starting the power tool accidentally.
- d) **Store idle power tools out of the reach of children and do not allow persons unfamiliar with the power tool or these instructions to operate the power tool.**  
Power tools are dangerous in the hands of untrained users.
- e) **Maintain power tools. Check for misalignment or binding of moving parts, breakage of parts and any other condition that may affect the power tool's operation. If damaged, have the power tool repaired before use.** Many accidents are caused by poorly maintained power tools.
- f) **Keep cutting tools sharp and clean.** Properly maintained cutting tools with sharp cutting edges are less likely to bind and are easier to control.
- g) **Use the power tool, accessories and tool bits etc. in accordance with these instructions, taking into account the working conditions and the work to be performed.** Use of the power tool for operations different from those intended could result in a hazardous situation.

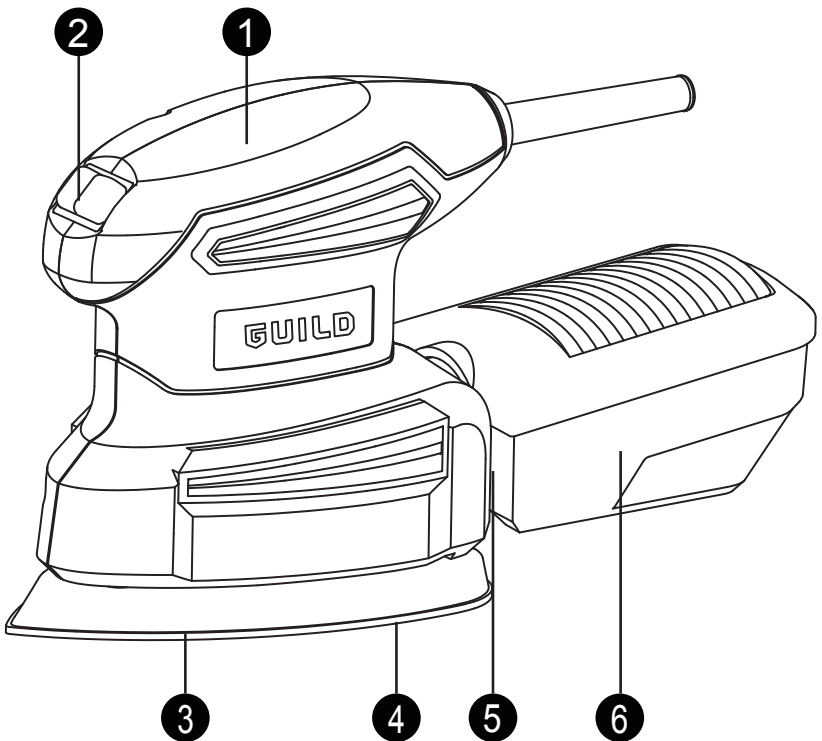
### 5) Service

**Have your power tool serviced by a qualified repair person using only identical replacement parts.** This will ensure that the safety of the power tool is maintained.

# In The Box

## Parts

- ① Handle
- ② On/off switch
- ③ Sanding pad
- ④ Sanding paper
- ⑤ Dust outlet
- ⑥ Dust collection Box



## Accessories

Dust box  
Sanding paper (2x80 grit & 2x100 grit)

1pc  
4pcs

# Operating Instructions



**NOTE:** Before using the tool, read the instruction book carefully.

## Intended Use

The machine is intended for dry sanding of wood, plastic, filler and coated surfaces.

## 1. FITTING THE SANDING PAPER (SEE FIG A)

### FIT THE SANDING PAPER

This sander features an easy hook and loop accessory fastening system for quick changing without clamps.

The sanding papers are placed directly onto the base plate. The hole pattern in the base plate and sanding paper must match. Then press the sanding paper onto the base plate by hand. Firmly press the power tool with the sanding paper against a flat surface and briefly switch the power tool on. This provides for good adhesion and prevents premature wear

**Before placing on the sanding paper, free the base plate from dust/debris by lightly tapping against it.**

### REMOVE THE SANDING PAPER

Simply remove the sanding paper directly.

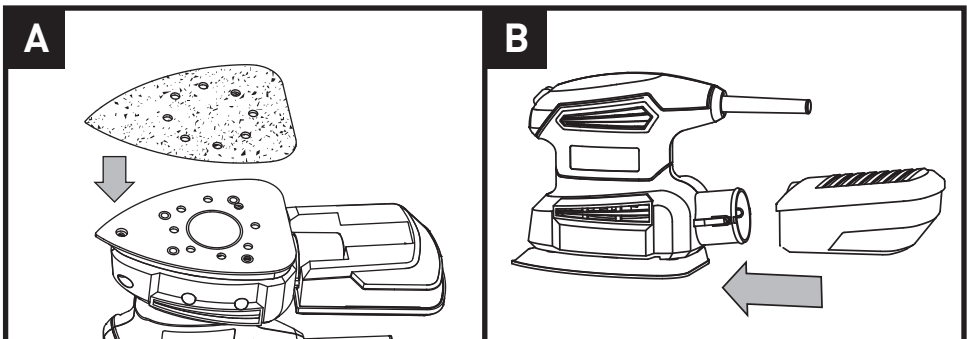
## 2. USING THE Dust Collection BOX (SEE FIG B)

### A) ATTACH THE DUST BOX

Your sander is equipped with a Dust Collection Box (5), which is designed for collect dust task. Insert the Dust Collection Box into the rear dust outlet of sander. Then pull the Dust Collection Box and make sure it is tightened securely on the dust outlet. (SEE FIG B)

### B) EMPTY DUST BOX

For more efficient operation, empty dust box every 5-10mins. This will permit the air to



# Operating Instructions

flow through the box better.

To empty the dust box, pull off the dust box out of the dust extraction outlet directly and shake out dust.

### 3. USING THE DUST OUTLET (SEE FIG C)

Your sander is equipped with a 35mm dust outlet, which are designed for connecting the hose of a vacuum cleaner.

If the vacuum hose is 35mm, insert the hose directly into the rear dust outlet of sander. First please turn on the vacuum cleaner, and then turn on the sander. If you stop sanding, first turn off the sander, and then turn off your vacuum cleaner.

**Note:** Please pull the dust adapter to make sure tightened securely on the dust outlet.

### 4. OPERATING THE On/Off SWITCH (SEE FIG D)

To start your sander, depress the protective cover over the switch at the position marked "I". To stop your sander, depress the protective cover at the position marked "0"

### 5. USING THE SANDER

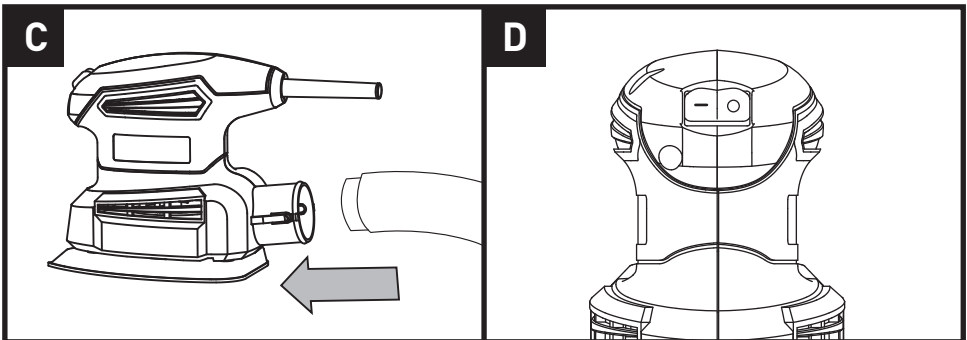
Your sander is equipped with a teardrop base which allows you to use it on large flat surfaces, as well as difficult and confined areas.

The workpiece to be sanded must be secured. If it is small or it may move during sanding, it must be held in a vice or suitably clamped.

Be sure to hold the sander firmly while it is on and apply it gently to the work, it may "kick" on first contact. Hold the sander so that it is flat on the work and move slowly, preferably with a smooth, circular motion. Regularly check the condition of the sanding paper and replace when worn for best results.

### 6. FLUSH SANDING FACILITY

Your sander can sand flush on three sides of the base-plate which allows easy access





# Operating Instructions

to corners and edges of moulding.

## 7. ORBITAL SANDING

Your sander operates in small circular rotations which allows efficient material removal.

Operate your sander in long sweeping movements across your workpiece and even across the grain. For a finer finish, always use a fine grain sandpaper and only move the sander in the direction of the grain and never across the grain.

Do not allow your sander to remain in the same position otherwise you will remove material and create an uneven surface.

## 8. SELECT THE RIGHT SAND PAPER

Selecting the correct grit of sandpaper is an extremely important decision that will allow you to achieve the best quality sanding finish.

Coarse grit will remove the most material and finer grit will give you the best finish in all sanding operations. The condition of the surface to be sanded will determine which grit will do the job.

If the surface is rough:

Start with coarse grit (sold separately) and sand until the surface is uniform. Then use medium to remove any scratches left by the coarse grit. Then use finer grit (sold separately) for finishing the surface.

**Note:** Always continue sanding with each grit until the surface is uniform.

# Working Hints For Your Detail Sander

1. Your sander is useful for working on wood, metal, painted surface. It will smooth surfaces prior to painting, even where fillers have been used and left proud.
2. Your sander is best suited to large flat areas such as doors but can also be used on skirting boards, windows, etc, provided they are accessible.
3. Different types of sanding paper will allow the sander to meet various needs. Different grades of sanding paper are available, the higher grade number, the finer the grit. For rough work start with a low grade of grit (i.e. 80 grade) and change to a higher, finer grade (i.e. 100 or 120) for finishing. If you use a fine grade for rough surfaces it will soon clog and need changing.
4. At all times, let the sander do the work-do not force it or apply excessive pressure to the sanding paper or it could wrinkle or tear. Preferably, use a light circular motion.
5. If the surface shows excessive marking from the abrasive motion, you may be using a grit which is too coarse or applying too much pressure.

# Maintenance

**Remove the plug from the socket before carrying out any adjustment, servicing or maintenance.**

Your power tool requires no additional lubrication or maintenance.

There are no user serviceable parts in your power tool. Never use water or chemical cleaners to clean your power tool. Wipe clean with a dry cloth. Always store your power tool in a dry place. Keep the motor ventilation slots clean. Keep all working controls free of dust.

If the supply cord is damaged, it must be replaced by the manufacturer, its service agent or similarly qualified persons in order to avoid a hazard.

# Trouble Shooting

1. If your sander will not operate, check the power at the mains plug.
2. If the sander does not abrade surface, checking the sanding paper. If the sanding paper has been worn, replace the new paper and try again. The paper must be kept in a dry place, if it is allowed to become damp, the abrasive particles will lose their adhesion to the backing paper and will not abrade.
3. If the sander does not move smoothly, The sanding paper may be loose, damaged or wrinkled. Replace and try again.
4. If a fault can not be rectified return the sander to an authorized dealer for repair.

# Technical Data


## Technical Data Table

Voltage	230-240V~50Hz
Power input	135W
No load speed	12000 /min
Base size	140x140x80mm
Orbital dia	1.0 mm
Protection class	□/II
Machine weight	1.14 Kg

## Noise Information

A weighted sound pressure

A weighted sound power


Wear ear protection 

$L_{pA}$  : 81.8dB(A)  
 $L_{wA}$  : 92.8dB(A)  
 $K_{pA}$  &  $K_{wA}$  = 3.0dB(A)

## Vibration Information

Vibration total values (triax vector sum) determined according to EN 60745:	
Typical weighted vibration	Vibration emission value $a_h = 9.005 \text{ m/s}^2$
	Uncertainty $K = 1.5 \text{ m/s}^2$

The declared vibration total value may be used for comparing one tool with another, and may also be used in a preliminary assessment of exposure.


 **WARNING:** The vibration emission value during actual use of the power tool can differ from the declared value depending on the ways in which the tool is used dependant on the following examples and other variations on how the tool is used:  
 How the tool is used and the materials being cut or drilled.

The tool being in good condition and well maintained

The use the correct accessory for the tool and ensuring it is sharp and in good condition.

The tightness of the grip on the handles and if any anti vibration accessories are used. And the tool is being used as intended by its design and these instructions.

**This tool may cause hand-arm vibration syndrome if its use is not adequately managed**

 **WARNING:** To be accurate, an estimation of exposure level in the actual conditions of use should also take account of all parts of the operating cycle such as the times when the tool is switched off and when it is running idle but not actually doing the job. This may significantly reduce the exposure level over the total working period.

# Technical Data

## Vibration Information

Helping to minimize your vibration exposure risk.

ALWAYS use sharp chisels, drills and blades

Maintain this tool in accordance with these instructions and keep well lubricated (where appropriate)

If the tool is to be used regularly then invest in anti vibration accessories.

Avoid using tools in temperatures of 10°C or less

Plan your work schedule to spread any high vibration tool use across a number of days.

# Environmental Protection



Waste electrical products must not be disposed of with household waste. Please recycle where facilities exist. Check with your Local Authority or retailer for recycling advice.

# Guarantee

This product is selected for DOMESTIC USE ONLY and not for business use. This product is guaranteed against manufacturing defects for a period of 24 months. This does not cover the product where the fault is due to misuse, abuse, use in contravention of the instructions, or where the product has been the subject of unauthorised modifications or alterations, or has been the subject of commercial use. In the event of a problem with the product within the guarantee period please return it to your nearest store. If the item is shown to have an inherent defect present at the time of sale, the store will provide you with a replacement. Your statutory rights remain unaffected.

Issue1 08/2015

# Declaration of Conformity

This Guild 135W Detail Sander model number PPS135G fully complies with the Machinery Directive 2006/42/EC, Electromagnetic Compatibility Directive 2004/108/EC(before 2016/04/20) and 2014/30/EC(since 2016/04/20), RoHS Directive 2011/65/EU and the following harmonized EU standards

EN 60745-2-4: 2009 + A11: 2011

EN 60745-1: 2009 + A11: 2010

EN 55014-1: 2006 + A1:2009 + A2:2011

EN 55014-2: 1997 + A1:2001 + A2:2008

EN 61000-3-2: 2014

EN 61000-3-3: 2013

This declaration is made under the sole responsibility of Argos Ltd, 489/499 Avebury Boulevard, Milton Keynes, MK9 2NW

Category Technical Manager

Issued 20/10/2015

signed 

# Plug Replacement (Uk & Ireland Only)

If you need to replace the fitted plug then follow the instructions below.

## **IMPORTANT**

The wires in the mains lead are colored in accordance with the following code:

**Blue – Neutral**

**Brown – Live**

As the colors of the wires in the mains lead of this appliance may not correspond with the coloured markings identifying the terminals in your plug, proceed as follows. The wire which is coloured blue must be connected to the terminal which is marked with N. The wire which is coloured brown must be connected to the terminal which is marked with L.



## **WARNING:**

Never connect live or neutral wires to the earth terminal of the plug. Only fit an approved BS1363/A plug and the correct rated fuse.

**Note:** If a moulded plug is fitted and has to be removed take great care in disposing of the plug and severed cable, it must be destroyed to prevent engaging into a socket.

